

Lone Star Emergency Group LLC  
 4553 Aldine Bender Road  
 Houston, TX 77032

# Invoice

Date	Invoice #
5/30/2023	T3462

Bill To
911 HWY 146 N TEXAS CITY, TX 77590 USA

Ship To

Due Date	S.O. No.	P.O. No.	Terms	RO
6/29/2023			Net 30	

Description	Qty	Rate	Amount	U/M
HR100 TANDEM AXLE LADDER Sourcewell Cooperative Purchasing Contract # 113021-RVG	1	1,383,651.00	1,383,651.00	

<b>Total</b>		\$1,383,651.00
<b>Payments/Credits</b>		\$0.00
<b>Balance Due</b>		\$1,383,651.00



**LONESTAR EMERGENCY GROUP, LLC**  
**HOUSTON, TX**  
*S.O. 145416 / QUOTE 114766*  
**AERIAL BODY**  
**E-ONE TYPHOON CHASSIS**  
**HR100 AERIAL LADDER**

THIS DRAWING IS FOR REFERENCE PURPOSES. ALL DIMENSIONS ARE SUBJECT TO MINOR VARIATIONS DUE TO MANUFACTURING PROCESSES

(FOR INTERNAL SALES PURPOSES ONLY)

DEALER APPROVAL \_\_\_\_\_ DATE \_\_\_\_\_  AS IS

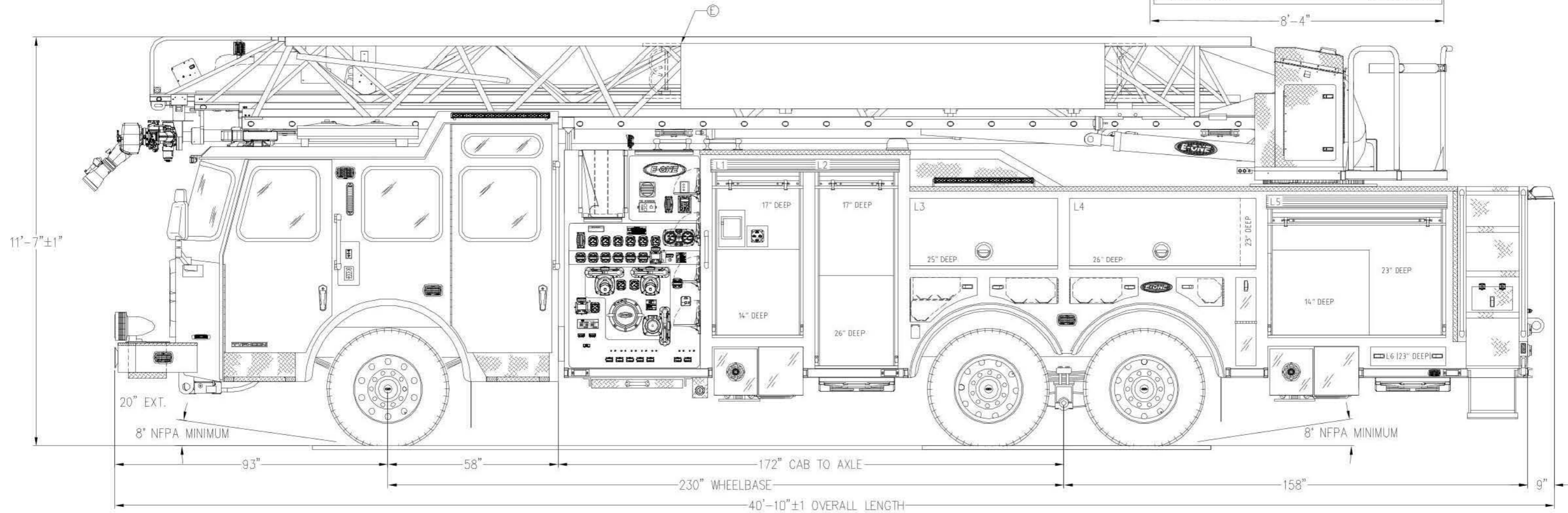
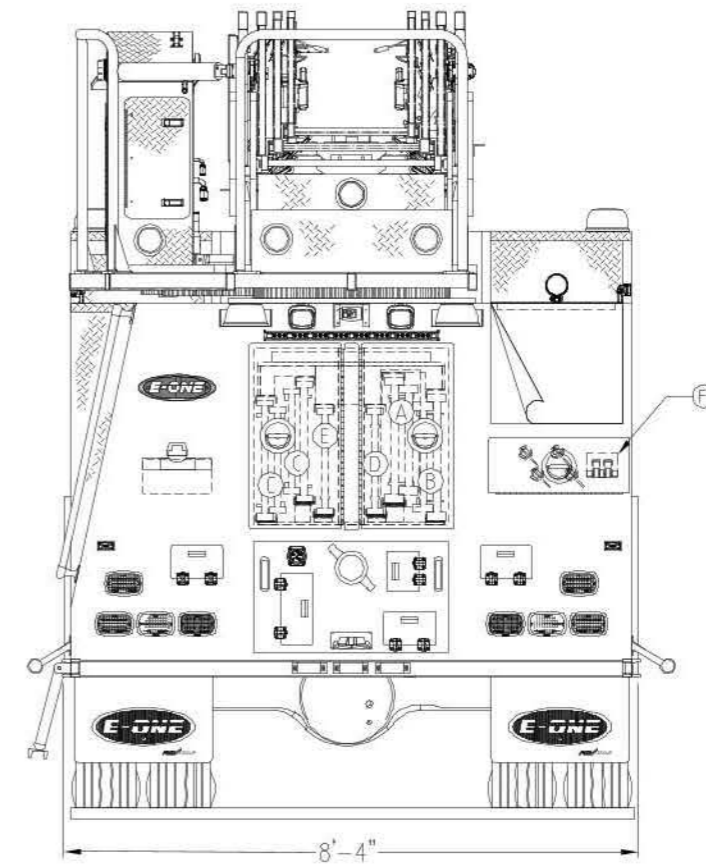
CUSTOMER APPROVAL \_\_\_\_\_ DATE \_\_\_\_\_  WITH REVISIONS

2000 GPM HALE QMAX PUMP	HOSE LOAD:
480 GALLON WATER TANK	NFPA COMPLIANT
20 GALLON INTEGRAL CLASS "A" FOAM TANK	

COMPT.	OPENING		INTERIOR DIMENSION			
L1/R1	29W	50H	31W	30H	17D	UPPER
			31W	29H	14D	LOWER
L2/R2	28W	69H	28W	35H	17D	UPPER
			28W	31H	26D	LOWER
L3/R3	50W	23H	50W	23H		NOTED
L4	63W	23H	63W	23H		NOTED
R4	31W	19H	31W	19H	14D	
L5	58W	37H	60W	46H		NOTED
R5	49W	30H	49W	30H	23D	
L6	25W	6H	25W	6H	23D	

GROUND LADDERS			
ITEM	LADDER LENGTH	MODEL NUMBER	QTY
A	35' 2-SECT.	PEL-35	1
B	28' 2-SECT.	PEL-28	1
C	24' 2-SECT.	PEL-24	2
D	16' ROOF	PRL-16	1
E	14' ROOF	PRL-14	2
F	10' FOLDING	FL-10	1

ONE ON AERIAL



SECRET	A6	877	2022-AUG-18	SECRET
DRAWN BY	REV	DESCRIPTION	DATE	APPROVED
		PROPOSAL REVISIONS		SHEET 1 OF 2

Date Printed: 2022-08-24 at 16:29:26 EDT Username: bharbaugh  
P/N: S145416 Creator: Cret, Gabe Jr. Version: A.6 State: Released  
Context: [Product]: Aerial  
Location: [Product]: Aerial/145000/145416/Sales Drawings



# LONESTAR EMERGENCY GROUP, LLC

HOUSTON, TX

S.O. 145416 / QUOTE 114766

AERIAL BODY  
E-ONE TYPHOON CHASSIS  
HR100 AERIAL LADDER

THIS DRAWING IS FOR REFERENCE PURPOSES. ALL DIMENSIONS ARE  
SUBJECT TO MINOR VARIATIONS DUE TO MANUFACTURING PROCESSES

(FOR INTERNAL SALES PURPOSES ONLY)

DEALER APPROVAL \_\_\_\_\_

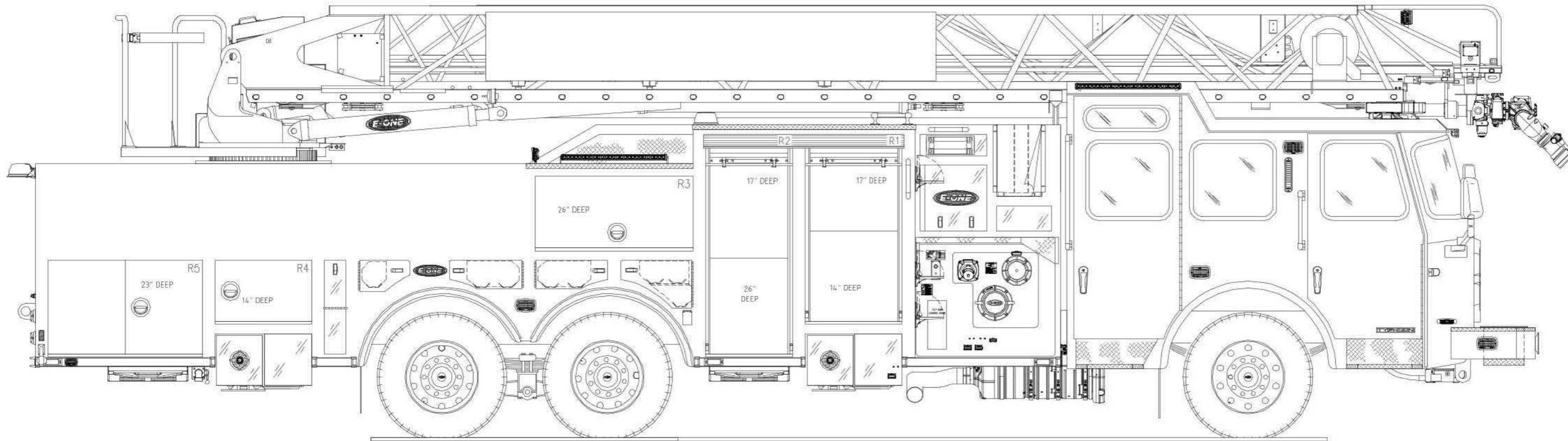
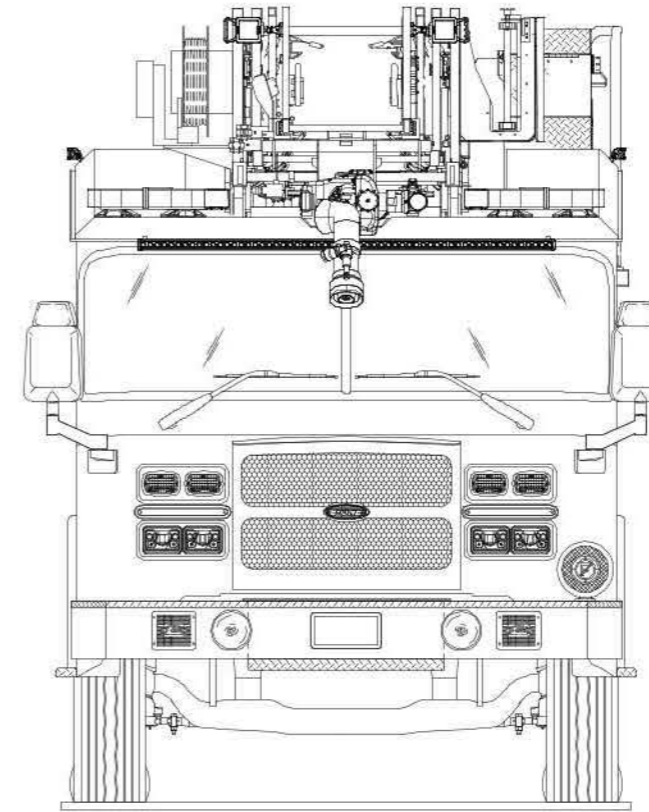
DATE \_\_\_\_\_

AS IS

CUSTOMER APPROVAL \_\_\_\_\_

DATE \_\_\_\_\_

WITH REVISIONS



GAOET	A&B	RF	2022-AUG-18	GAOET
DRAWN BY	REV	DESCRIPTION	DATE	APPROVED
		PROPOSAL REVISIONS		SHEET 2 OF 2

Date Printed: 2022-08-24 at 16:29:26 EDT Username: bharbaugh  
P/N: S145416 Creator: Cret, Gabe Jr. Version: A.6 State: Released  
Context: [Product]: Aerial  
Location: [Product]: Aerial/145000/145416/Sales Drawings