

## INSTRUCTIONS FOR APPLICATION FOR PIPELINE CROSSING PERMIT

**BASIC INFORMATION:** Find attached an application for pipeline permit to cross county roads in Atascosa County. Contact the county judge's office to determine in which commissioner precinct your crossing will be located.

Contact the County Commissioner so the proposed crossing can be discussed and to determine/confirm amount of crossing fee(s). After the commissioner has been contacted, the crossing surveyed and the fee amount confirmed, the application needs to be signed, in the presence of a notary, and then submitted to Atascosa County Commissioners Court for approval.

*The fully executed application and check for fees must be received in the office of the County Judge BEFORE it will be placed on the agenda. The deadline for receipt of agenda items is NOON on the Thursday before Commissioner's Court Meeting. Contact this office for the next scheduled meeting and date of posting.*

**REPRESENTATION AT COMMISSIONERS COURT MEETING:** A representative should accompany the application to the meeting in the event the court has questions unless previous arrangements have been made with the individual County Commissioner.

**FEE:** A fee is required for each crossing. Additional fees may be required. See application for further information on fees. Fees can be paid and application/permit will be filed with the Atascosa County Clerk. **MAKE CHECKS PAYABLE TO: ATASCOSA COUNTY.**

**PLAT:** The crossing location must be surveyed and a plat provided for each crossing. Provide the plat along with the fully executed application.

**NOTE: BE ADVISED THERE IS A PENALTY FOR INSTALLING A PIPELINE ACROSS A COUNTY ROAD WITHOUT OBTAINING A PERMIT.**

**THERE IS ALSO A 90 DAY TERM OF CONTRACT ON THE APPLICATION WHICH INCLUDES REAPPLICATION AND REPAYMENT OF FEES IF THE APPLICATION EXPIRES BEFORE THE PIPELINE IS INSTALLED.**

**UPON COMMISSIONERS COURT APPROVAL THE COUNTY CLERK'S OFFICE WILL PROVIDE YOU WITH A FULLY EXECUTED COPY OF THE PERMIT AND RECEIPT FOR PAYMENT. PLEASE PROVIDE RETURN CONTACT INFORMATION ON PAGE 3 OF 3 OF THE PERMIT. THE INFORMATION YOU PROVIDE THERE WILL BE USED TO RETURN THE FULLY EXECUTED COPIES AND RECEIPT FOR YOUR RECORDS.**

**FEE SCHEDULE:**

APPLICATION FEE: \$500.00

COST PER YARD OR ANY PART THEREOF OF A CROSSING EXCEEDING 50 FEET: \$32.00

AMENDMENT OF PERMIT: \$250.00

EACH 6 MONTH EXTENSION OF PERMIT: \$ 200.00

PENALTY FEE FOR INSTALLATION OF PIPELINE WITHOUT A PERMIT: \$5000.00

## ATASCOSA COUNTY PIPELINE PERMIT

ORIGINAL APPLICATION     AMENDMENT     6 MONTH EXTENSION

ON THIS THE 22th day of July, 20 25, A.D., the undersigned Spectrum Gulf Coast, LLC "Company", does hereby make application to use the hereinafter described lands belonging to Atascosa County, Texas, for the purposes of constructing, maintaining, operating or repairing mains or lines for the transportation of natural gas or other hydrocarbons across said lands as shown on plat attached hereto and made a part hereof.

In consideration of the \$500.00 application fee, plus a \$5,000 penalty fee if said pipeline has been installed prior to this application being presented to and approved by Atascosa County Commissioners Court and the further consideration of: (1) \$32.00 per yard or any part thereof for any part of a crossing exceeding fifty (50) feet; (2) \$250 for any amendment of this permit; and (3) \$200.00 for each 6 month extension of this permit to be paid by Company and the County's granting permission to make use of the lands above described for the purposes aforesaid, the undersigned Company agrees that such use shall be subject to the following terms, covenants and conditions, to-wit:

I.

No main or line shall ever be laid or maintained by the Applicant in such manner as to interfere with the construction, maintenance or repair of roads, (STATE or COUNTY) and in the event it shall develop that any main or line hereafter to be laid by the Applicant in any manner interferes with the construction, maintenance or repair of any existing road (STATE or COUNTY) because of the depth at which the same has been laid, or for any other reason, the Applicant, upon request of the Commissioners Court, shall promptly change or alter, at Applicant's sole expense, such main or line, in such manner that the same will no longer interfere with such construction, maintenance or repair.

II.

It is understood that no main or line shall ever be laid by Applicant in such a way or manner as to interfere with traffic, so as to interfere with any drainage now or hereafter to be affected on or along such road and that no main or line shall ever be laid or maintained by the Applicant in such a way as to constitute a danger or hazard or to become a nuisance of any kind to anyone using any road or living in the vicinity thereof.

It is understood that no main or line shall ever be laid by Applicant in such a way or manner to run parallel to the county road within the county right-of-way.

III.

The Applicant further agrees that it shall in no way enter upon any property hereby affected for the purpose of constructing, laying or repairing any main or line now existing or hereafter to exist unless it shall have first submitted to the Commissioners Court of Atascosa County, plans, sections and such description of construction, laying, maintenance or repair, as to fully describe the same.

IV.

It is further understood and agreed that all lines crossing any County Road shall be either jacked, bored or driven under surfaced portion of the roadway; and that the section of line placed through boring shall extend

the full width of the surfacing; and that all pipelines under such roads shall be placed through an iron or other approved casing of approximately two inches larger in diameter than the pipeline; or, as an alternative to casing, Applicant may install a heavier walled carrier pipe beneath the roadway; provided, however, that in either instance the installation shall meet all the requirements of the Department of Transportation as set forth in Title 49, Code of Federal Regulations, Part 192, and/or those same regulations as adopted by Texas Railroad Commission and any other regulations promulgated by the Texas Railroad Commission under the authority of V.T.C.S. Art. 6053-1; and provided further that the County Commissioner in whose precinct the crossing is being made, with the concurrence of the Commissioners Court, may require that the carrier pipe be cased beneath the roadway when in his opinion the best interests of Atascosa County would be served thereby. Said pipeline shall have at least forty-two (42) inches of cover unless special permission to the contrary is obtained from the Commissioners Court of Atascosa County. Said pipeline crossing shall be placed within 10 Degrees of Perpendicular (80° to 100°) to the roadway.

V.

The Applicant further agrees, in connection herewith, to save and hold harmless the said County against any and all liability that it may have or appear to have to any person whomsoever by reason of any act or thing that Applicant, its agents, servants, employees and contractors may do or cause to be done in the premises.

VI.

In consideration of the granting of the privilege hereby petitioned for, Applicant agrees that whenever it shall in any manner damage any County Road or other structure by reason of any operation hereunder, it will immediately, at its own expense, restore the same to the condition that the same was in before the damage took place. Applicant further especially agrees that whenever the County Commissioners Court shall notify it in writing that it, its agents, servants, employees and contractors have damaged any road, or other structure, Applicant will commence the restoration thereof, in accordance with the terms hereof, within forty-eight (48) hours after the receipt of such notice, and prosecute such restoration to completion, diligently and continuously, and that in the event of its failure in such event to begin such restoration or repair within the time aforesaid, or in the event of its failure to therefore prosecute the same to completion, diligently and continuously, the Commissioners Court or its representative of said County, may take over the making of such restoration or repair with County employees, or through a private contractor, and complete and effect such repair or restoration at the expense of the Applicant and that the action of the County Commissioners Court, or its representative, in making such restoration or repair shall be binding upon the Applicant, and such Commissioners Court estimate or statement of the cost and expense incurred in making such repair or restoration shall be final, conclusive and binding upon the Applicant.

VII.

It is further agreed that in the event Applicant enters upon any property hereby affected for the purpose of construction, laying or repairing any main or line of Applicant, now existing or hereafter to exist, in connection with any State road or highway, that Applicant shall comply with all conditions and requirements of the Texas State Highway Department or its authorized representative with reference to any matter pertaining to any such purposes.

VIII.

Applicant shall give the Commissioners Court of Atascosa County, with reference to a County Road, and the State Highway Department, with reference to State Highway, twenty-four (24) hours notice prior to the time of beginning of any work with reference to any such road or highway.

IX.

It is further agreed that the order of the Commissioners Court granting this application shall be and does constitute acceptance on the part of the County of the offer hereby made, and said order and this application shall constitute a contract between the parties hereto their heirs, assigns, representatives and successors according to the terms hereof.

X.

This application for pipeline permit shall expire 90 days after the same is approved by motion and order entered into Commissioners Court Records of Atascosa County, Texas. After expiration of the same, a new

application for pipeline permit and payment of fees shall be required from the applicant if the pipeline has not been installed prior to the expiration date of this permit.

IN WITNESS WHEREOF, the Applicant has caused this instrument to be executed on this the \_\_\_\_ day of \_\_\_\_\_, 20 \_\_\_\_ A.D.

After approval the fully executed permit should be returned to:

Phillip Gunn  
1922 Dry Creek Way, Suite 116  
San Antonio, TX 78259  
pgunn@entrustsol.com

Submitted by Phillip Gunn of ENTRUST Solutions Group, 1922 Dry Creek Way, Ste 116, San Antonio, TX 78259 on behalf of Spectrum a Franchise Utility Company. Work will be performed by a Contractor along with Spectrum's Construction Coordinator pgunn@entrustsol.com | 303-788-9168

ENTRUST Solutions Group  
Company  
By: Phillip Gunn for Spectrum

**CORPORATE ACKNOWLEDGMENT**

THE STATE OF TEXAS  
COUNTY OF \_\_\_\_\_

BEFORE ME, the undersigned authority, in and for said County, Texas, on this day personally appeared \_\_\_\_\_ known to me to be the person and officer whose name is subscribed to the foregoing instrument and acknowledged to me that the same was the act of the said \_\_\_\_\_, a corporation, and that he executed the same as the act of such corporation for the purposes and consideration therein expressed, and in the capacity therein stated.

GIVEN UNDER MY HAND AND SEAL OF OFFICE, this the \_\_\_\_ day of \_\_\_\_\_, 20 \_\_\_\_, A.D.

Notary Public in and for \_\_\_\_\_  
County, Texas  
Commission expires: \_\_\_\_\_

\*\*\*\*\*FOR COUNTY USE ONLY\*\*\*\*\*  
County Road: \_\_\_\_\_ Comm. Pct. No.: \_\_\_\_\_ Dia. Line \_\_\_\_\_

Examined and approved in open Commissioners Court on this the \_\_\_\_ day of \_\_\_\_\_; 20 \_\_\_\_

By: \_\_\_\_\_ Weldon P. Cude, Atascosa County Judge

This permit Expires on the \_\_\_\_ day of \_\_\_\_\_; 20 \_\_\_\_



**MEMORANDUM OF PAYMENT FOR DAMAGES TO  
ATASCOSA COUNTY**

**KNOW ALL MEN BY THESE PRESENTS:**

Comes now Spectrum Gulf Coast, LLC, hereafter known as Payor and Atascosa County, Texas, hereafter known as Atascosa County.

Whereas Payor is extensively utilizing the roads of Atascosa County, Texas, for the economic benefit of Payor; and

Whereas Atascosa County is a political subdivision of the State of Texas which maintains certain roads within Atascosa County; and

Whereas Atascosa County has limited resources for the maintenance of such roads; and

Whereas Atascosa County is authorized to act and does act by and through the Commissioners Court of Atascosa County, pursuant to V.T.C.A. Local Government Code Section 81.032 and V.T.C.A., Transportation Code Section 252.214 to accept donations of property or funds.

**THEREFORE:**

Payor does hereby pay and transfer to Atascosa County the materials and/or funds described below:

---

---

---

It is the expectation of the Payor that the materials and/or funds donated to Atascosa County will be used for the repair, maintenance and upgrade of roads or facilities described below; however, Atascosa County makes no specific warranty for the use of the funds or materials paid:

---

---

---

Materials and/or funds paid are not subject to return to the Payor by Atascosa County.

For a payment to be accepted, such payment, subsequent to being offered, must be accepted and approved by the Commissioners Court of Atascosa County in an open session of the Commissioners Court of Atascosa County.





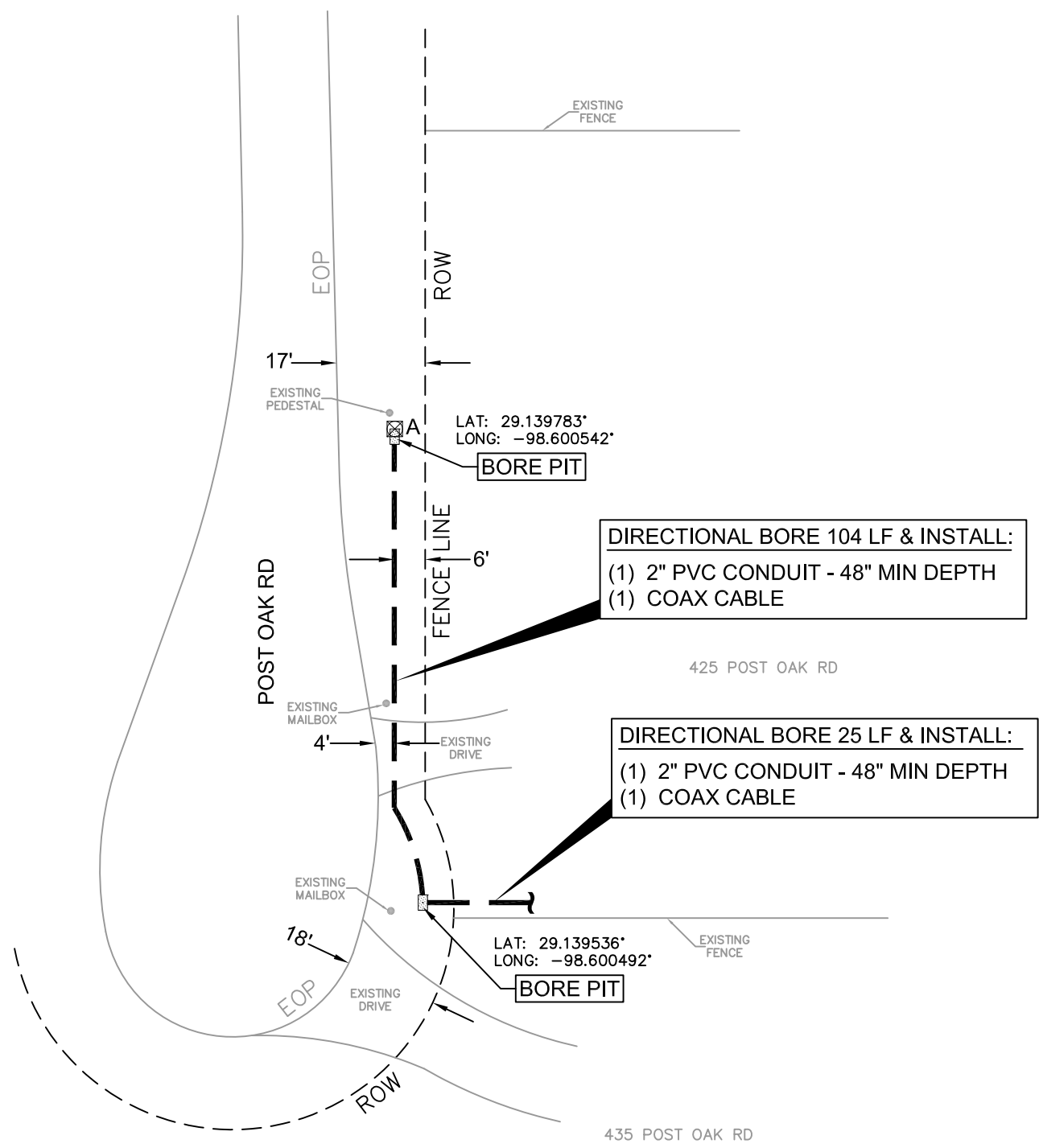
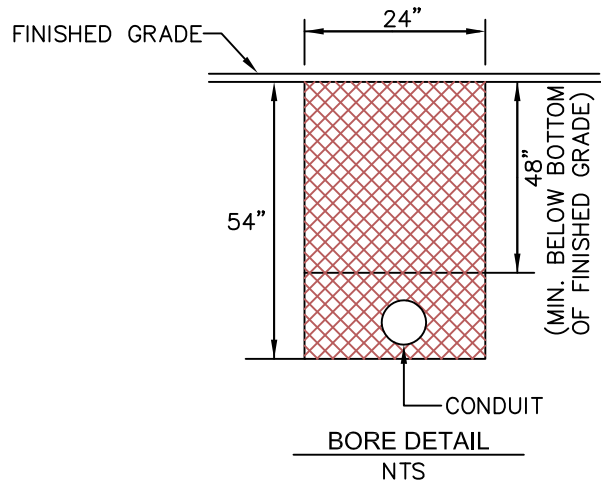
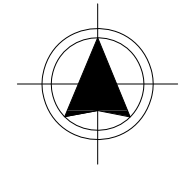


LOCATION MAP  
NTS



PROPOSED CONDUIT WILL CLEAR A MINIMUM OF 2' FROM ALL UNDERGROUND EXISTING UTILITIES AND DRAINAGE STRUCTURES FROM HORIZONTAL AND VERTICAL CLEARANCE.

NO FACILITIES OF POST OAK RD WERE MARKED IN FIELD. LOCATES WAS NOT MARKED



NOTE:  
THE INFORMATION AND GRAPHICS DEPICTED ON THE SHEET HAVE BEEN PLOTTED FROM AVAILABLE RECORDS AND FIELD OBSERVATIONS BUT ARE NOT NECESSARILY EXACT. IT IS THE EXCAVATOR'S RESPONSIBILITY TO VERIFY AND FIELD LOCATE ALL UNDERGROUND OBSTRUCTIONS AND UTILITIES PRIOR TO EXCAVATION. COMPLETE REPAIR OF ANY AND ALL DAMAGES INCURRED SHALL BE AT THE EXPENSE OF THE EXCAVATOR.



PROJECT <b>RAMIREZ, PAULA</b>			
LOCATION <b>1552 POST OAK RD, UNIT 6</b>			
DRAWN BY: J.U.	DATE <b>6-19-2025</b>	SCALE NTS	APPLICATION COUNTY UG
PROJECT # <b>6076992</b>	CITY <b>POTEET, TX</b>	PAGE 1 OF 1	APPROVED BY: -

LEGEND			
●	NEW POLE	—W—	BURIED WATER UTILITY
⊠	BORE PIT (4'x2'x4')	—G—	BURIED NATURAL GAS UTILITY
⊞	EXIST STEEL POLE	—ST—	BURIED STORM UTILITY
⊞	EXIST TRANSFORMER POLE	—T—	BURIED TELEPHONE UTILITY
⊞	EXIST POWER POLE	—E—	BURIED ELECTRIC UTILITY
		—SS—	BURIED SANITARY SEWER UTIL.
—SC—	BURIED EX. SPECTRUM CONDUIT	—UG—	BURIED EX. CONDUIT
—ROW—	TXDOT RIGHT OF WAY LINE	—EOP—	EXISTING SIGN
—ROW—	CITY RIGHT OF WAY LINE	⊞	EXISTING FIRE HYDRANT
—	NEW BUILD OVERHEAD	⊞	EXISTING MANHOLE
—	OVERLASH OVERHEAD	⊞	EDGE OF PAVEMENT
—	NEW UG TRENCH	—	
—	NEW UG BORE		

REVISIONS	
DATE	COMMENTS

