

Notice of Proposed Commercial Installation
Utility Line on Non-Controlled Access Roadway

Residential Use: _____
FEE: 500

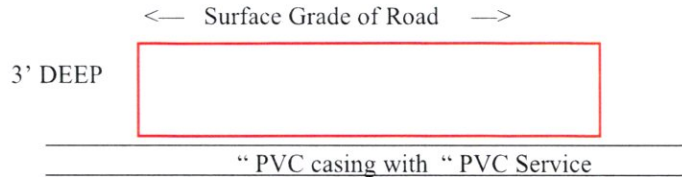
Commercial Use: _____
PAID: _____

To: County of Atascosa--Commissioners Court
1 Courthouse Circle Dr.
Jourdanton, Texas 78026

Date: 11/04/2025

Formal notice is hereby given that Lowry Electrical on behalf of Charter Communications Holdings LLC.
Company proposes to place a Small cabinet that will house a fiber node and power supply.
line within the right-of-way of 1629 Old Pleasanton Rd. 29.133534, -98.497532 in Precinct 1
Atascosa County, Texas as follows: (give location, length, general design, etc.)

(Please see attached map)
—Diagram Location



**** (NOTE—IF APPLICABLE CASING TO BE PLACED 30” BELOW DITCH ELEVATION)**

1. The line will be constructed and maintained on the highway right-of-way as shown on the attached drawing and in accordance with the rules, regulations and policies of the Atascosa County Commissioners Court, and all governing laws, including but not limited to the “Federal Clean Water Act”, the “Federal Endangered Species Act”, and the “Federal Historic Preservation Act”. Upon request by the County of Atascosa, proof of compliance with all governing laws, rules, and regulations will be submitted to the County of Atascosa before commencement of construction.
2. Our firm will use Best Management Practices to minimize erosion and sedimentation resulting from the proposed installation, and we will re-vegetate the area as indicated under “Re-vegetation Special Provisions”.
3. Our firm will ensure that traffic control measures complying with applicable portions of the *Texas Manual of Uniform Traffic Control Devices* will be installed and maintained for the duration of this installation.
4. Our firm agrees to indemnify and hold Atascosa County, its officers, agents or employees, harmless from any personal injury, property damage or real property related claims against County, its officers, agents or employees, that result from Company’s operations under this permit, or facilities installed under this permit, EVEN IF SUCH CLAIMS RESULT IN WHOLE OR PART FROM THE NEGLIGENCE, OR NONCOMPLIANCE WITH A STATUTORY DUTY, OF COUNTY, ITS OFFICERS, AGENTS OR EMPLOYEES.
5. The firm agrees to release the County, and any emergency services personnel operating on behalf of the County, from any and all claims for damages done to Company’s property, during emergency operations.
6. The firm agrees to waive receipt of notice from the County, of routine maintenance operations in the right of way, or adjoining drainage easements, and to bear the cost of any additional fortifications, barriers, conduits, or

other changes or improvements necessary to protect the public or pipeline facility, that the firm requires under §756.123 Texas Health and Safety Code.

7. The location and description of the proposed line and appurtenances is more fully shown by (number) -1- complete sets of drawings attached to this notice.

8. Construction of this line will begin on or after the ___ day of _____, 20__.

SPECIAL PROVISIONS CONCERNING ENERGY UTILITY LINES

If the firm represents that it is a "gas corporation" as defined by Chapter 181, Texas Utilities Code, and/or a "common carrier" as defined by Chapter 111, Texas Natural Resources Code, AND the firm represents that it has the power of eminent domain to place THIS line on the County Right of Way, under Chapter 181, Texas Utilities Code, and/or Chapter 111, Texas Natural Resources Code, then provide the following information:

9. The firm's Operator Number assigned by the Texas Rail Road Commission: _____.

10. A copy of the firm's complete application, to the Texas Rail Road Commission, for a T-4 permit, for the pipeline:

Is attached _____. **OR** Will be submitted with T-4 permit _____. (Check One)

OR

No T-4 permit is required for this pipeline because: (describe why no permit is required, ie: "low pressure transmission pipeline of less than 1 mile.")

11. A copy of the Texas Rail Road Commission T-4 permit for the pipeline:

N/A under # 9 _____ Is attached _____.

Will be submitted when received _____. (Check One)

12. A copy of the firm's complete PS-48, New Construction Report, to the Texas Rail Road Commission, for the pipeline:

Is attached _____. **OR** Will be submitted when filed with RRC _____. (Check One)

OR

No PS-48 is required for this pipeline because: (describe why no permit is required, ie: "low pressure distribution pipeline of less than 5 miles.")

A permit granted without the attachments required under items 10-12 is contingent upon the firm obtaining a T-4 permit (if required by the RRC), submitting copies of the T-4 permit and the complete application for the T-4 permit (if required by the RRC), and the PS-48 (if required by the RRC) to Atascosa County, and maintaining the T-4 permit (if required by the RRC).

13. It State or Federal law requires registration and/or signage of the pipeline, Firm agrees to abide by that law, at all points where the pipeline touches the County right of way. If no such law requires registration, and/or signage:

(a) Firm shall at its sole expense, register the line, where it touches the County Road right of way, as an underground facility, with the Texas Underground Facility Notification Corporation, and shall maintain such registration during the entire life of the permit, and any additional time that Company may utilize the line.

(b) Firm shall place and maintain in good repair and condition permanent line markers as close as practical over the line at each crossing of a County Road right of way, in order to assist the County, and utility providers in identifying the exact location of such line. Each such line marker shall be of permanent type construction and contain labeling identifying: (1) the Company; (2) a twenty-four-hour contact telephone for the Company; (3) the appropriate Texas One Call System telephone number; (4) the size of the line, and (5) a description of the product transported in the line; e.g., natural gas, oil or salt water.

(c) Firm shall maintain all such line markers in good condition, shall promptly replace any such line markers that are lost or stolen, and shall promptly repair any such line markers that require re-painting.

By signing below, I certify that I am authorized to represent the FIRM listed below, and that the FIRM agrees to the conditions/provisions included in this permit.

FIRM Charter Communications Holding LLC

By (Print) Andy Lowry

Signature *Andy Lowry*

Title President

Address 1364 Industrial Dr. Ste. D

New Braunfels, TX 78130

Phone No. 830-832-9294

Fax No. _____

To: _____

Roadway _____
Beg. RM _____ Offset _____ End RMOffset _____
County Precincts No. _____ Atascosa County, Texas
Date: _____

UTILITY PERMIT NO.

The County of Atascosa, Texas, offers no objection to the location on the right-of-way of your proposed
(Please see attached map)

as shown by accompanied drawings and notice dated _____ except as noted below.

1. It is expressly understood that the County of Atascosa does not, hereby, grant any right, claim, title, or easement in or upon this county road. The firm is cautioned that it should ensure that it has a valid easement from the owner of the land under the county road right of way.
2. It is further understood that the County of Atascosa may require the owner to relocate this line, subject to provisions of governing laws, by giving thirty (30) day written notice.
3. You are requested to notify the appropriate Precinct Commissioner prior to commencement of any routine or periodic maintenance which requires pruning of trees within the highway right-of-way, so that the Commissioner may be made aware and may provide specifications for the extent and methods to govern in trimming, topping, tree balance, type of cuts, painting cuts, and clean up. These specifications are intended to preserve our considerable investment in roadway construction/maintenance.
4. The installation shall not damage any part of the highway and adequate provisions must be made to cause minimum inconveniences to traffic and adjacent property owners. In the event the Owner fails to comply with any or all of the requirements as set forth herein, the County of Atascosa may take such action as it deems appropriate to compel compliance.
5. This permit is _____ is not _____ contingent upon later receipt of a T-4 permit, or T-4 permit and complete application for T-4 permit, or PS-48.

• **General Special Provisions:**

- **Re-vegetation Special Provisions:** In order to minimize erosion and sedimentation resulting from the proposed installation, the project area will be re-vegetated

- in accordance with Standard Specification Item 164 which specifies the appropriate grass seed mix to be used, or
- as indicated on the attachment.

Please notify _____ forty-eight (48) hours prior to starting construction of the line in order that we may have a representative available.

County of Atascosa—Commissioners Court: DATE: _____

By: _____
COUNTY JUDGE

COMMISSIONER, PRECINCT No. _____

COUNTY OF ATASCOSA

“LIST OF REQUIRED INFORMATION” FROM (TXDOT) “SAFETY AND MAINTENANCE OPERATIONS DIVISION MANUAL”

- 1) Location of proposed installation. (This should include a written description as well as a sketch or drawing. Adequate information, with reference to the nearest highway, street or county road intersection or river or creek crossing should be included.)
- 2) Size and total length of proposed installation.
- 3) Whether the proposed utility installation will parallel or cross roadway right-of-way.
- 4) Whether any paving, riprap, or roadway material is involved.
- 5) Working pressure of pipelines.
- 6) Whether sewer line is gravity flow or pressure.
- 7) Voltage of transmission lines.
- 8) Whether communication cables are copper or fiber optic.
- 9) Type of pipe, encasement, or any other such information.
- 10) Longitude/latitude (GPS points)

Permit applications for high pressure pipelines shall contain the following additional information:

- 1) Diameter
- 2) Wall Thickness
- 3) Material Specifications
- 4) Minimum Yield Strength
- 5) Maximum Operating Pressure of the Pipeline

SUBMIT APPLICATION TO:

Precinct 1 Commissioner:

Mark Gillespie
830-569-2901
152 Ben Parker
Pleasanton, TX 78064

Precinct 3 Commissioner:

George "Butch" Pawelek
830-277-1213
76 Yule Ave
Charlotte, TX 78011

Precinct 2 Commissioner:

Mark Bowen
830-742-3946
1625 FM 3175
Lytle, TX 78052

Precinct 4 Commissioner:

Kennard "Bubba" Riley
830-569-1147
384 Shale Rd
Pleasanton, TX 78064

Permit Fees: Residential – No Fee, Commercial - \$500/mile or part of a mile. Checks made payable to Atascosa County.

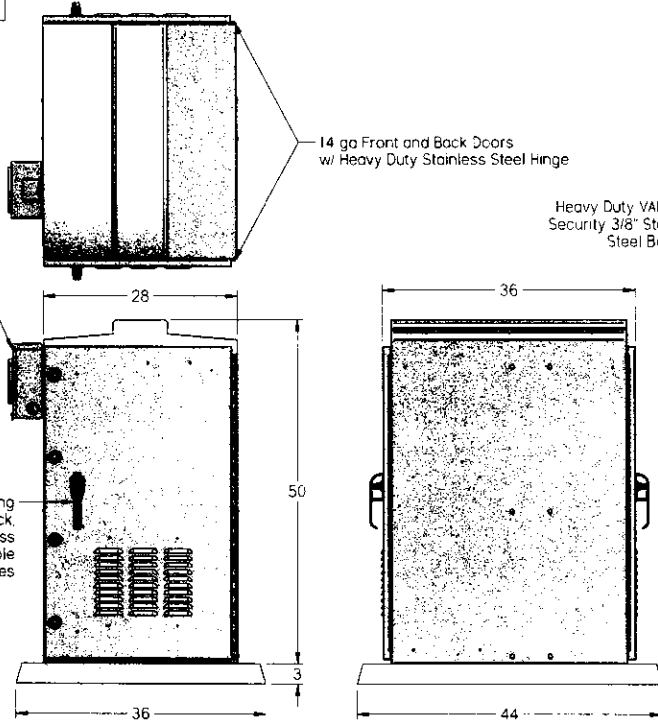
Basic scope of work for placing a Charter/Spectrum power cabinet.

We will open a trench 36" deep and place 3" PVC conduit between the cabinet location and the CPS pol. We will transition to a rigid galvanized sweep and install 1 10' section of rigid galvanized pipe. The buried rigid galvanized pipe will be wrapped with corrosion preventing tape. The opposite end will have a SCH80 PVC sweep. Will also place 2" PVC stub out for fiber placement. A steel reinforced concrete pad will be poured that is roughly 48" x 48". The cabinet will be placed on the pad.



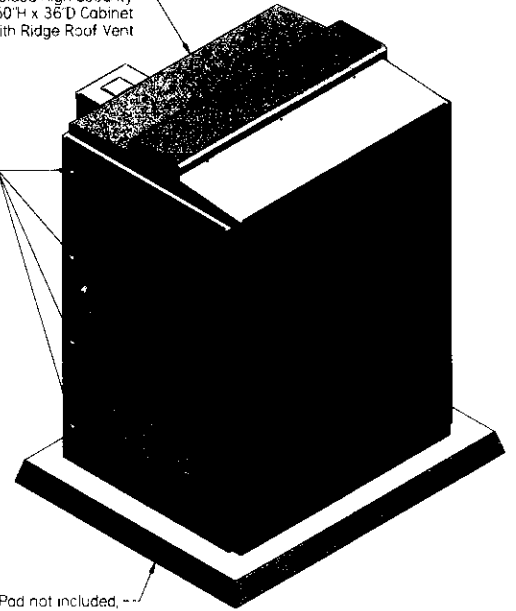
Layers

MPN-132-FK



Fully Welded High Security
28" W x 50" H x 36" D Cabinet
with Ridge Roof Vent

Heavy Duty VAN LOCK
Security 3/8" Stainless
Steel Bolts, 4X



Pad not included, --
shown for reference only

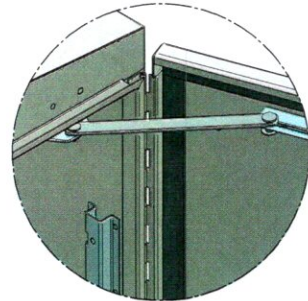
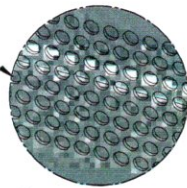
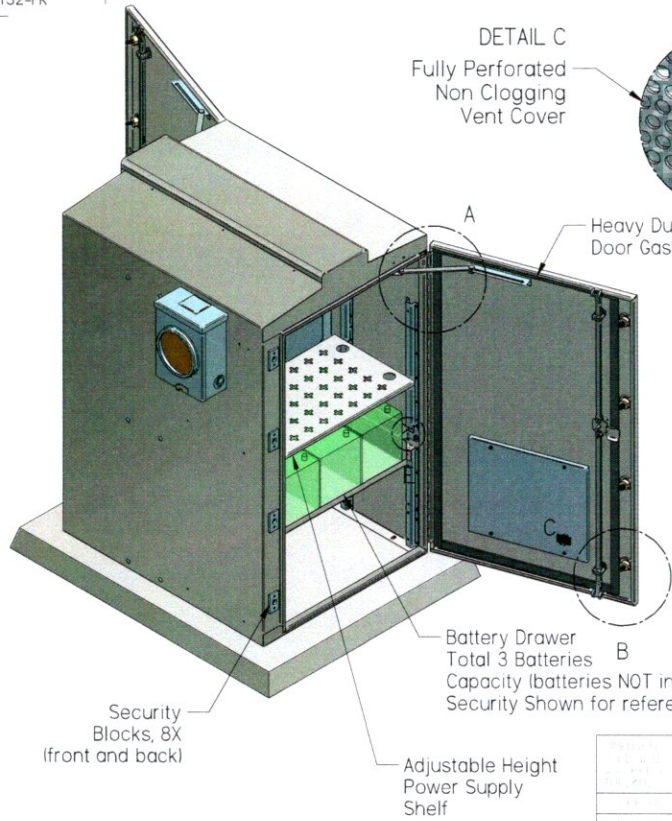
MOORE Communication Systems, LLC

DESCRIPTION
Moore Power Node Cabinet
One Power Supply, 3 Batteries, Two Nodes
14 ga Steel Door w/ VAN LOCK Security and Fan Kit

DO NOT SCALE DRAWING		SIGNATURES	DATE	PART NUMBER		REV
MATERIAL	Galvanized Steel	DR	Doc	10/09/23	MPN-132-FK	
FINISH		CHK				
		APPD				
		APPR				

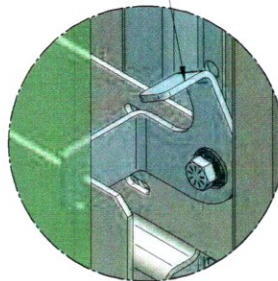
REV	DESCRIPTION	DATE
1	MPN-132-FK	10/09/23

MPN-132-FK

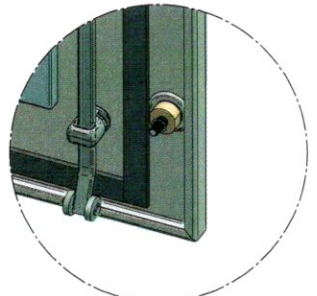


Battery Drawer Lock (Open & Closed)

DETAIL A



DETAIL E

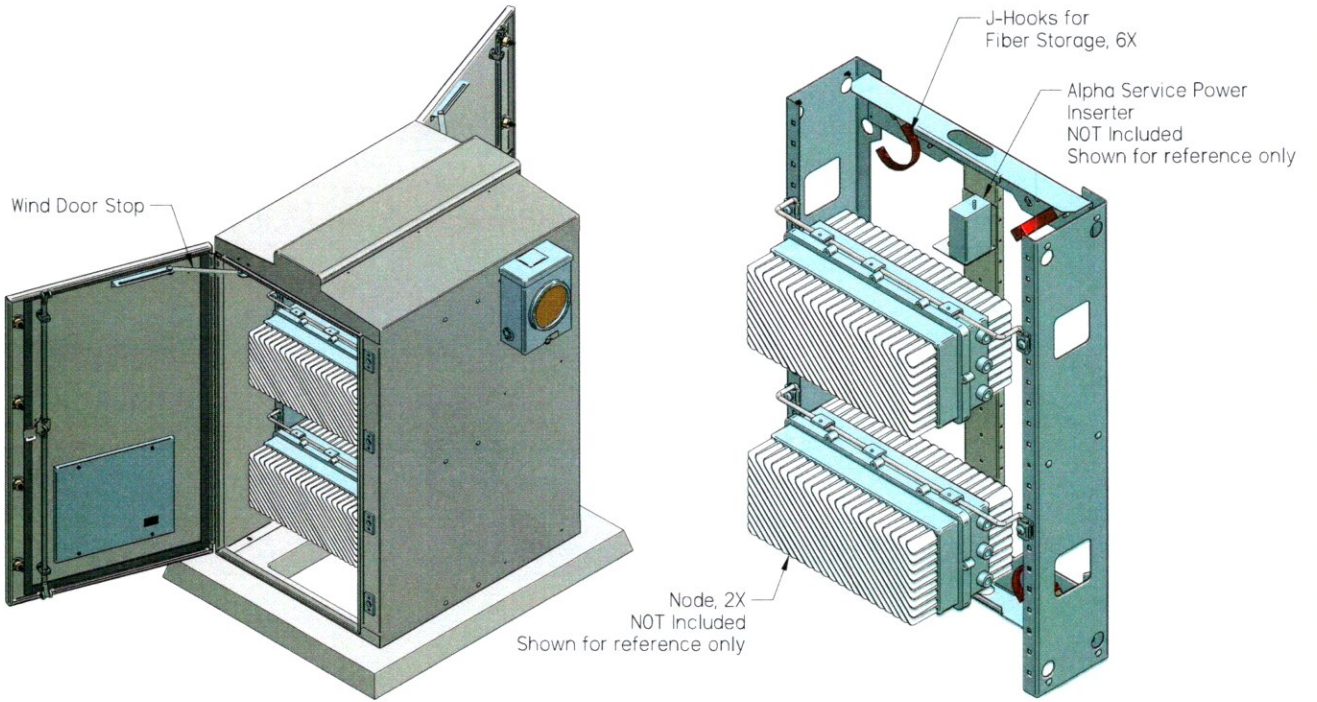


DETAIL B

DO NOT SCALE DRAWING MATERIAL Galvanized Steel FINISH		SIGNATURES DR Bos CHK APPD APPD	DATE 10/09/23	MOORE Communication Systems, LLC DESCRIPTION Moore Power Node Cabinet One Power Supply, 3 Batteries, Two Nodes 14 ga Steel Door w/ VAN LOCK Security and Fan Kit	PART NUMBER MPN-132-FK	REV .
ROUTING:		SHEET 2 OF 4		D		

NO.	DESCRIPTION	DATE	REVISION HISTORY	APPROVED

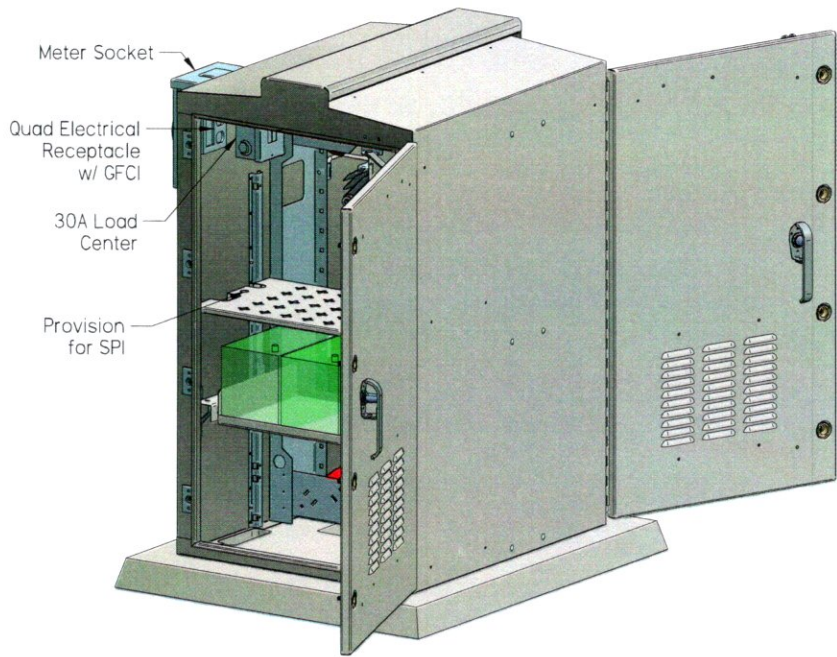
MPN-132-FK



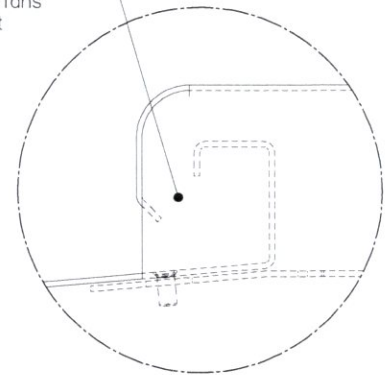
MOORE Communication Systems, LLC 10000 W. 10th Street, Suite 100 Overland Park, KS 66204 Phone: 913.241.1000 Fax: 913.241.1001 Email: sales@moorecs.com		DESCRIPTION Moore Power Node Cabinet One Power Supply, 3 Batteries, Two Nodes 14 ga Steel Door w/ VAN LOCK Security and Fan Kit	
DO NOT SCALE DRAWING	SIGNATURES	DATE	PART NUMBER
MATERIAL Galvanized Steel	DR Bos	10/09/23	MPN-132-FK
FINISH	CHK	APPD	REV
	APPD		
		ROUTING:	SHEET 3 OF 4

REV	DESCRIPTION	DATE	REVISION HISTORY	APPROVED

MPN-132-FK



DETAIL D
Ridge Roof Vent
with 2 fans
FAN Kit



MOORE Communication Systems, LLC 10000 W. 10th Street, Suite 100 Overland Park, KS 66204 Phone: 913.241.1000 Fax: 913.241.1001 Email: sales@moorecs.com		DESCRIPTION Moore Power Node Cabinet One Power Supply, 3 Batteries, Two Nodes 14 ga Steel Door w/ VAN LOCK Security and Fan Kit	
DO NOT SCALE DRAWING	SIGNATURES	DATE	PART NUMBER
MATERIAL	DR	10/09/23	MPN-132-FK
Galvanized Steel	CHK		REV
FINISH	APPD		-
	APPD		ROUTING: SHEET 4 OF 4

REV	DESCRIPTION	DATE	BY	APP'D