



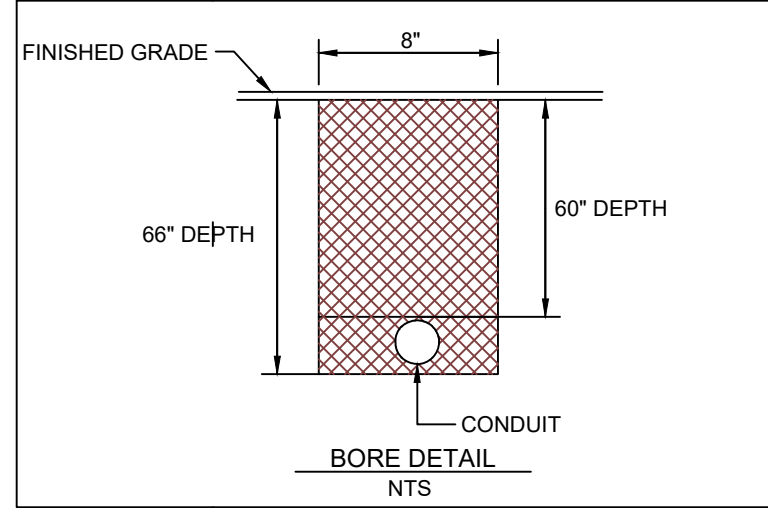
LOCATION MAP
NTS

NOTE:
THE INFORMATION AND GRAPHICS DEPICTED ON THIS SHEET HAVE BEEN PLOTTED FROM AVAILABLE RECORDS AND FIELD OBSERVATIONS BUT ARE NOT NECESSARILY EXACT. IT IS THE EXCAVATOR'S RESPONSIBILITY TO VERIFY AND FIELD LOCATE ALL UNDERGROUND OBSTRUCTIONS AND UTILITIES PRIOR TO EXCAVATION. COMPLETE REPAIR OF ANY AND ALL DAMAGES INCURRED SHALL BE AT THE EXPENSE OF THE EXCAVATOR.

CALL BEFORE YOU DIG
UNDERGROUND SERVICE ALERT
48 HOURS NOTICE REQUIRED.
CALL: 1-800-344-8377

PROPOSED CONDUIT WILL CLEAR A MINIMUM OF 2' FROM ALL UNDERGROUND EXISTING UTILITIES AND DRAINAGE STRUCTURES FROM HORIZONTAL AND VERTICAL CLEARANCE.

NO FACILITIES OF WOODLAND HILLS WERE MARKED IN FIELD. LOCATES WERE NOT MARKED



Bore Pit Location
Latitude: 29.135615°
Longitude: -98.590456°

3'x3' BORE PIT

Property ID: 207497
25 WOODLAND HILLS
POTEET, TX 78065

Property ID: 207497
25 WOODLAND HILLS
POTEET, TX 78065

Property ID: 34841
69 WOODLAND HILLS
POTEET, TX 78065

Property ID: 177122
WOODLAND HILLS
POTEET, TX 78065

Property ID: 34840
50 WOODLAND HILLS
POTEET, TX 78065

DIRECTIONAL BORE 403-LF & INSTALL:
(1) 2" HDPE CONDUIT - 60" MIN DEPTH
(1) COAX CABLE

DIRECTIONAL BORE 67-LF & INSTALL:
(1) 2" HDPE CONDUIT - 60" MIN DEPTH
(1) COAX CABLE

Bore Pit Location
Latitude: 29.135615°
Longitude: -98.590456°

Property ID: 65096
130 WOODLAND HILLS
POTEET, TX 78065



PROJECT CHRITCHLEY, BRIAN			
LOCATION 245 WOODLAND HILLS RD			
DRAWN ENTRUST	DATE 01-14-26	SCALE NTS	APPLICATION UG DESIGN
PROJECT # 6487432	CITY POTEET, TX	PAGE 1 OF 1	APPROVED BY: RUSTY DICKSON

LEGEND			
BORE PIT	W WATER UTILITY	SS SANITARY SEWER UTIL.	DOWN GUY & ANCHOR
POLE RISER	G NATURAL GAS UTILITY	SC EX. SPECTRUM CONDUIT	SIDEWALK GUY & ANC.
STEEL POLE	GR GRANDE UTILITY	UG UNDERGROUND	NEW BUILD OVERLASH
TRANSFORMER POLE	T TELEPHONE UTILITY	ROW RIGHT OF WAY LINE	NEW UG TRENCH
POWER POLE	E ELECTRIC UTILITY	EXISTING CURB	NEW UG BORE
		EOP EDGE OF PAVEMENT	

REVISIONS	
DATE	COMMENTS
	SM

PREPARED BY: