

# Notice of Proposed Commercial Installation Utility Line on Non-Controlled Access Roadway

Residential Use: \_\_\_\_\_  
FEE: \_\_\_\_\_

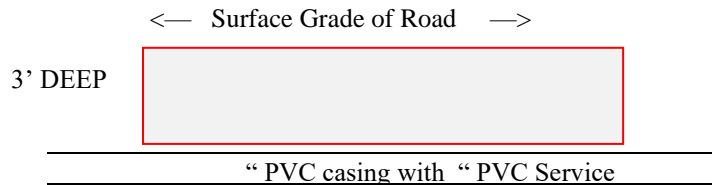
Commercial Use: \_\_\_\_\_  
PAID: \_\_\_\_\_

To: County of Atascosa--Commissioners Court  
1 Courthouse Circle Dr.  
Jourdanton, Texas 78026

Date: 2/19/2026

Formal notice is hereby given that Spectrum Gulf LLC  
Company proposes to place a 908' of Fiber Optic Cable via Open Trench through 2" HDPE Conduit  
line within the right-of-way of Along the South side of McCoy Ln in Precinct 2  
Atascosa County, Texas as follows: (give location, length, general design, etc.)

(Please see attached map)  
—Diagram Location



**\*\* (NOTE—IF APPLICABLE CASING TO BE PLACED 30” BELOW DITCH ELEVATION)**

1. The line will be constructed and maintained on the highway right-of-way as shown on the attached drawing and in accordance with the rules, regulations and policies of the Atascosa County Commissioners Court, and all governing laws, including but not limited to the “Federal Clean Water Act”, the “Federal Endangered Species Act”, and the “Federal Historic Preservation Act”. Upon request by the County of Atascosa, proof of compliance with all governing laws, rules, and regulations will be submitted to the County of Atascosa before commencement of construction.
2. Our firm will use Best Management Practices to minimize erosion and sedimentation resulting from the proposed installation, and we will re-vegetate the area as indicated under “Re-vegetation Special Provisions”.
3. Our firm will ensure that traffic control measures complying with applicable portions of the *Texas Manual of Uniform Traffic Control Devices* will be installed and maintained for the duration of this installation.
4. Our firm agrees to indemnify and hold Atascosa County, its officers, agents or employees, harmless from any personal injury, property damage or real property related claims against County, its officers, agents or employees, that result from Company’s operations under this permit, or facilities installed under this permit, **EVEN IF SUCH CLAIMS RESULT IN WHOLE OR PART FROM THE NEGLIGENCE, OR NONCOMPLIANCE WITH A STATUTORY DUTY, OF COUNTY, ITS OFFICERS, AGENTS OR EMPLOYEES.**
5. The firm agrees to release the County, and any emergency services personnel operating on behalf of the County, from any and all claims for damages done to Company’s property, during emergency operations.
6. The firm agrees to waive receipt of notice from the County, of routine maintenance operations in the right of way, or adjoining drainage easements, and to bear the cost of any additional fortifications, barriers, conduits, or

other changes or improvements necessary to protect the public or pipeline facility, that the firm requires under §756.123 Texas Health and Safety Code.

7. The location and description of the proposed line and appurtenances is more fully shown by (number) -1- complete sets of drawings attached to this notice.

8. Construction of this line will begin on or after the 16th day of March, 2026.

**SPECIAL PROVISIONS CONCERNING ENERGY UTILITY LINES**

If the firm represents that it is a “gas corporation” as defined by Chapter 181, Texas Utilities Code, and/or a “common carrier” as defined by Chapter 111, Texas Natural Resources Code, AND the firm represents that it has the power of eminent domain to place THIS line on the County Right of Way, under Chapter 181, Texas Utilities Code, and/or Chapter 111, Texas Natural Resources Code, then provide the following information:

9. The firm’s Operator Number assigned by the Texas Rail Road Commission:\_\_\_\_\_.

10. A copy of the firm’s complete application, to the Texas Rail Road Commission, for a T-4 permit, for the pipeline:

Is attached \_\_\_\_\_. **OR** Will be submitted with T-4 permit\_\_\_\_\_. (Check One)

**OR**

No T-4 permit is required for this pipeline because: (describe why no permit is required, ie: “low pressure transmission pipeline of less than 1 mile.”)

\_\_\_\_\_  
\_\_\_\_\_  
\_\_\_\_\_

11. A copy of the Texas Rail Road Commission T-4 permit for the pipeline:

N/A under # 9 \_\_\_\_\_ Is attached \_\_\_\_\_.

Will be submitted when received\_\_\_\_\_. (Check One)

12. A copy of the firm’s complete PS-48, New Construction Report, to the Texas Rail Road Commission, for the pipeline:

Is attached \_\_\_\_\_. **OR** Will be submitted when filed with RRC\_\_\_\_\_. (Check One)

**OR**

No PS-48 is required for this pipeline because: (describe why no permit is required, ie: “low pressure distribution pipeline of less than 5 miles.”)

\_\_\_\_\_  
\_\_\_\_\_  
\_\_\_\_\_

A permit granted without the attachments required under items 10-12 is contingent upon the firm obtaining a T-4 permit (if required by the RRC), submitting copies of the T-4 permit and the complete application for the T-4 permit (if required by the RRC), and the PS-48 (if required by the RRC) to Atascosa County, and maintaining the T-4 permit (if required by the RRC).

13. It State or Federal law requires registration and/or signage of the pipeline, Firm agrees to abide by that law, at all points where the pipeline touches the County right of way. If no such law requires registration, and/or signage:

(a) Firm shall at its sole expense, register the line, where it touches the County Road right of way, as an underground facility, with the Texas Underground Facility Notification Corporation, and shall maintain such registration during the entire life of the permit, and any additional time that Company may utilize the line.

(b) Firm shall place and maintain in good repair and condition permanent line markers as close as practical over the line at each crossing of a County Road right of way, in order to assist the County, and utility providers in identifying the exact location of such line. Each such line marker shall be of permanent type construction and contain labeling identifying: (1) the Company; (2) a twenty-four-hour contact telephone for the Company; (3) the appropriate Texas One Call System telephone number; (4) the size of the line, and (5) a description of the product transported in the line; e.g., natural gas, oil or salt water.

(c) Firm shall maintain all such line markers in good condition, shall promptly replace any such line markers that are lost or stolen, and shall promptly repair any such line markers that require re-painting.

By signing below, I certify that I am authorized to represent the FIRM listed below, and that the FIRM agrees to the conditions/provisions included in this permit.

FIRM Spectrum Gulf LLC

By (Print) Phillip Gunn

Signature *Phillip Gunn*

Title Telecommunications Planner II

Address 1922 Dry Creek Way, Suite 116

San Antonio, TX 78259

Phone No. 303-788-9168

Fax No. \_\_\_\_\_

Submitted by Phillip Gunn of ENTRUST Solutions Group,  
1922 Dry Creek Way, Ste 116, San Antonio, TX 78259  
on behalf of Spectrum a Franchise Utility Company. Work  
will be performed by a Contractor along with Spectrum's  
Construction Coordinator  
pgunn@entrustsol.com | 303-788-9168

To: \_\_\_\_\_  
Roadway McCoy Ln from Pole at LAT: 29.231238 LONG:-98.765450  
to McCoy Ln Pole at LAT: 29.231238 LONG:-98.765450  
Beg. RM \_\_\_\_\_ Offset \_\_\_\_\_ End RMOffset \_\_\_\_\_  
County Precincts No. 2 Atascosa County, Texas  
Date: \_\_\_\_\_

**UTILITY PERMIT NO. \_\_\_\_\_**

The County of Atascosa, Texas, offers no objection to the location on the right-of-way of your proposed

(Please see attached map)

as shown by accompanied drawings and notice dated \_\_\_\_\_ except as noted below.

1. It is expressly understood that the County of Atascosa does not, hereby, grant any right, claim, title, or easement in or upon this county road. The firm is cautioned that it should ensure that it has a valid easement from the owner of the land under the county road right of way.

2. It is further understood that the County of Atascosa may require the owner to relocate this line, subject to provisions of governing laws, by giving thirty (30) day written notice.

3. You are requested to notify the appropriate Precinct Commissioner prior to commencement of any routine or periodic maintenance which requires pruning of trees within the highway right-of-way, so that the Commissioner may be made aware and may provide specifications for the extent and methods to govern in trimming, topping, tree balance, type of cuts, painting cuts, and clean up. These specifications are intended to preserve our considerable investment in roadway construction/maintenance.

4. The installation shall not damage any part of the highway and adequate provisions must be made to cause minimum inconveniences to traffic and adjacent property owners. In the event the Owner fails to comply with any or all of the requirements as set forth herein, the County of Atascosa may take such action as it deems appropriate to compel compliance.

5. This permit is \_\_\_\_\_ is not \_\_\_\_\_ contingent upon later receipt of a T-4 permit, or T-4 permit and complete application for T-4 permit, or PS-48.

• **General Special Provisions:**

• **Re-vegetation Special Provisions:** In order to minimize erosion and sedimentation resulting from the proposed installation, the project area will be re-vegetated

- in accordance with Standard Specification Item 164 which specifies the appropriate grass seed mix to be used, or
- as indicated on the attachment.

Please notify \_\_\_\_\_ forty-eight (48) hours prior to starting construction of the line in order that we may have a representative available.

County of Atascosa—Commissioners Court: DATE: \_\_\_\_\_

By: \_\_\_\_\_  
COUNTY JUDGE

\_\_\_\_\_  
COMMISSIONER, PRECINCT No. \_\_\_\_\_

# COUNTY OF ATASCOSA

## “LIST OF REQUIRED INFORMATION” FROM (TXDOT) “SAFETY AND MAINTENANCE OPERATIONS DIVISION MANUAL”

- 1) Location of proposed installation. (This should include a written description as well as a sketch or drawing. Adequate information, with reference to the nearest highway, street or county road intersection or river or creek crossing should be included.)
- 2) Size and total length of proposed installation.
- 3) Whether the proposed utility installation will parallel or cross roadway right-of-way.
- 4) Whether any paving, riprap, or roadway material is involved.
- 5) Working pressure of pipelines.
- 6) Whether sewer line is gravity flow or pressure.
- 7) Voltage of transmission lines.
- 8) Whether communication cables are copper or fiber optic.
- 9) Type of pipe, encasement, or any other such information.
- 10) Longitude/latitude (GPS points)

Permit applications for high pressure pipelines shall contain the following additional information:

- 1) Diameter
- 2) Wall Thickness
- 3) Material Specifications
- 4) Minimum Yield Strength
- 5) Maximum Operating Pressure of the Pipeline

### SUBMIT APPLICATION TO:

#### **Precinct 1 Commissioner:**

**Mark Gillespie**  
**830-569-2901**  
**152 Ben Parker**  
**Pleasanton, TX 78064**

#### **Precinct 2 Commissioner:**

**Mark Bowen**  
**830-742-3946**  
**1625 FM 3175**  
**Lytle, TX 78052**

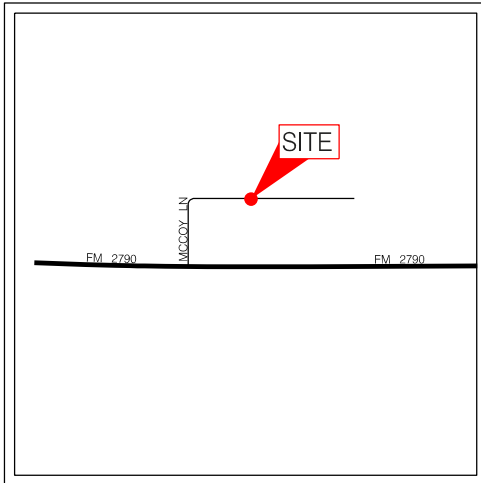
#### **Precinct 3 Commissioner:**

**George "Butch" Pawelek**  
**830-277-1213**  
**76 Yule Ave**  
**Charlotte, TX 78011**

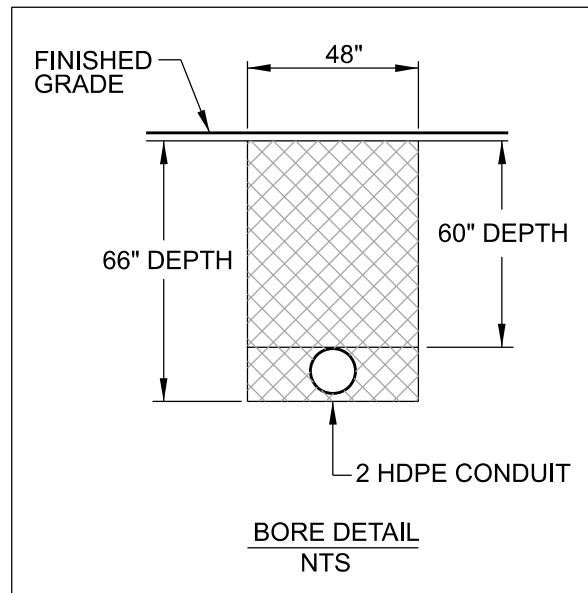
#### **Precinct 4 Commissioner:**

**Joseph Eustace**  
**830-569-1147**  
**384 Shale Rd**  
**Pleasanton, TX 78064**

**Permit Fees:** Residential – No Fee, Commercial - \$500/mile or part of a mile. Checks made payable to Atascosa County.



LOCATION MAP  
NTS



BORE DETAIL  
NTS

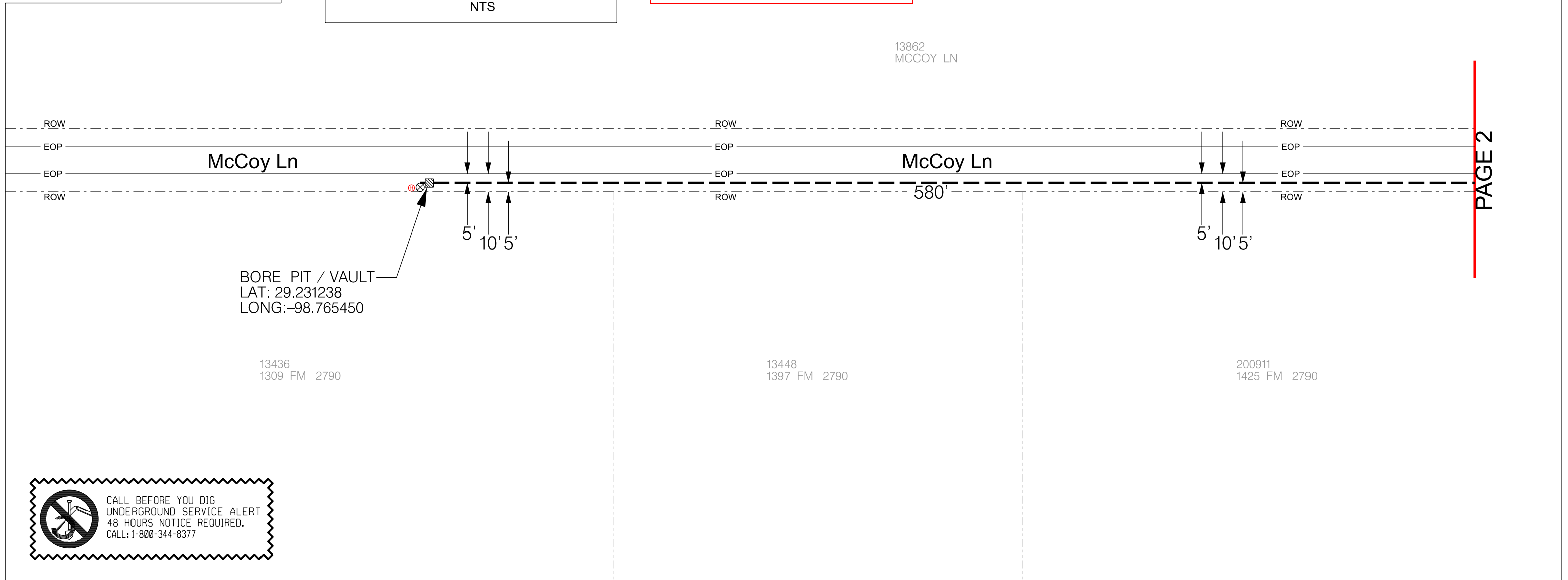
NOTE:

THE INFORMATION AND GRAPHICS DEPICTED ON THIS SHEET HAVE BEEN PLOTTED FROM AVAILABLE RECORDS AND FIELD OBSERVATIONS BUT ARE NOT NECESSARILY EXACT. IT IS THE EXCAVATOR'S RESPONSIBILITY TO VERIFY AND FIELD LOCATE ALL UNDERGROUND OBSTRUCTIONS AND UTILITIES PRIOR TO EXCAVATION. COMPLETE REPAIR OF ANY AND ALL DAMAGES INCURRED SHALL BE AT THE EXPENSE OF THE EXCAVATOR.

NOTE: CONTRACTOR MUST MAINTAIN 3' CLEARANCE BELOW BAR DITCH

DIRECTIONAL BORE: PARALLEL TO ROAD  
(1) 2" HDPE CONDUIT-48" MIN DEPTH  
(1) FIBER OPTIC CABLE

NO FACILITIES OF CRESCENT RDG WERE MARKED IN FIELD, LOCATES WERE NOT MARKED.



PAGE 2



PROJECT				MFI SAX MCCOY LN 2			
LOCATION				MCCOY LANE			
DRAWN	DATE	SCALE	APPLICATION	DATE	SCALE	APPLICATION	
ENTRUST	12-29-2025	NTS	COUNTY UG				
PRISM #	CITY	PAGE	APPROVED BY:				
2022226-3	LYTLE	1	JONOTHAN SKINNER				

- ☒ BORE PIT / VAULT
- ☐ PEDESTAL
- ☐ DROP VAULT
- ☒ TRANSFORMER POLE
- ☒ POWER POLE

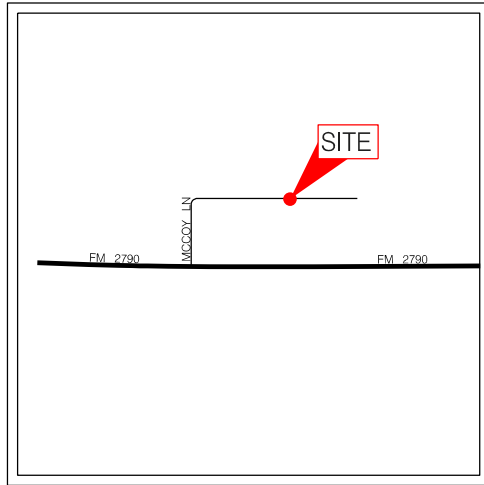
- W— WATER UTILITY
- G— NATURAL GAS UTILITY
- GR— GRANDE UTILITY
- T— TELEPHONE UTILITY
- E— ELECTRIC UTILITY

- SS— SANITARY SEWER UTIL.
- SC— EX. SPECTRUM CONDUIT
- UG— UNDERGROUND
- ROW— RIGHT OF WAY LINE
- EXISTING CURB— EXISTING CURB
- EOP— EDGE OF PAVEMENT

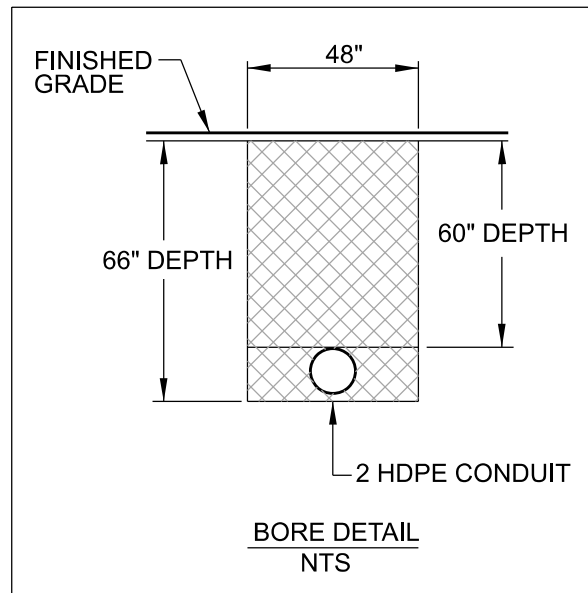
- ⊗ DOWN GUY & ANCHOR
- Ⓡ RISER
- NEW BUILD OVERLASH
- NEW UG TRENCH
- NEW UG BORE

REVISIONS	
DATE	COMMENTS
	IAD

PREPARED BY:



LOCATION MAP  
NTS



BORE DETAIL  
NTS

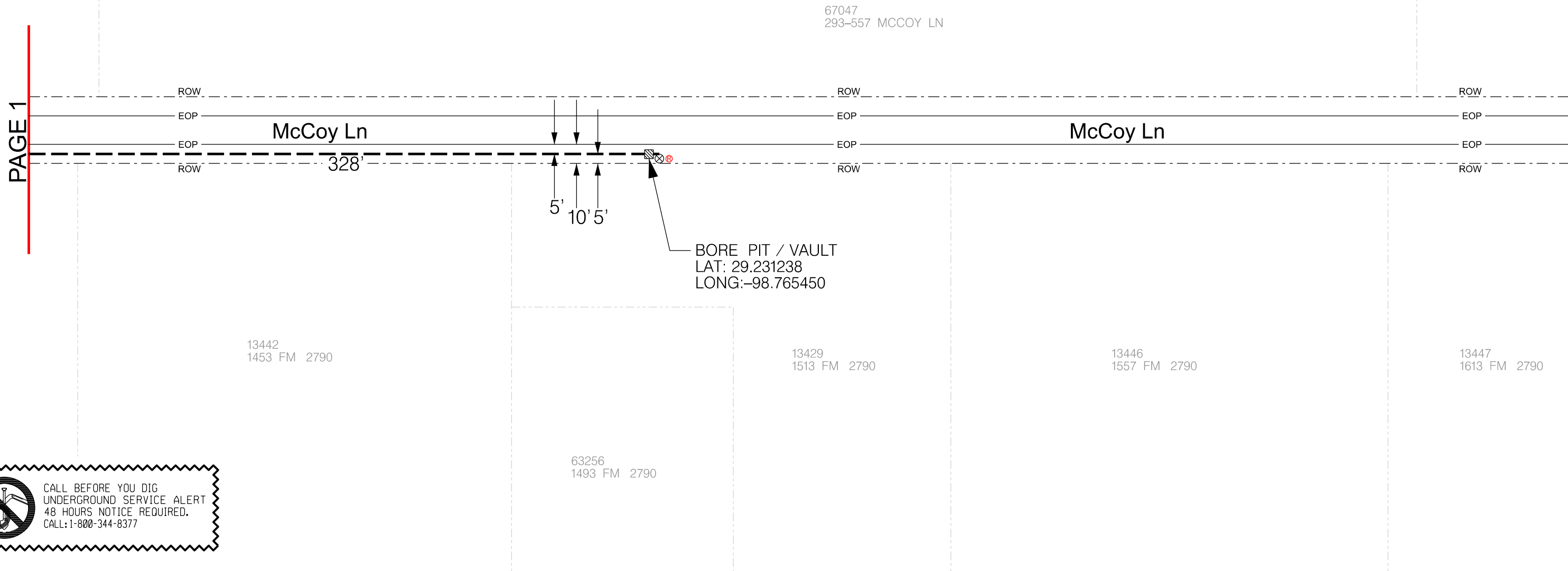
NOTE:

THE INFORMATION AND GRAPHICS DEPICTED ON THIS SHEET HAVE BEEN PLOTTED FROM AVAILABLE RECORDS AND FIELD OBSERVATIONS BUT ARE NOT NECESSARILY EXACT. IT IS THE EXCAVATOR'S RESPONSIBILITY TO VERIFY AND FIELD LOCATE ALL UNDERGROUND OBSTRUCTIONS AND UTILITIES PRIOR TO EXCAVATION. COMPLETE REPAIR OF ANY AND ALL DAMAGES INCURRED SHALL BE AT THE EXPENSE OF THE EXCAVATOR.

NOTE: CONTRACTOR MUST MAINTAIN 3' CLEARANCE BELOW BAR DITCH

DIRECTIONAL BORE: PARALLEL TO ROAD  
(1) 2" HDPE CONDUIT-48" MIN DEPTH  
(1) FIBER OPTIC CABLE

NO FACILITIES OF CRESCENT RDG WERE MARKED IN FIELD, LOCATES WERE NOT MARKED.



PROJECT				MFI SAX MCCOY LN 2			
LOCATION				MCCOY LANE			
DRAWN	DATE	SCALE	APPLICATION	DATE	SCALE	APPLICATION	APPROVED BY:
ENTRUST	12-29-2025	NTS	COUNTY UG				
PRISM #	CITY	PAGE	APPROVED BY:				
2022226-3	LYTLE	2	JONOTHAN SKINNER				

- BORE PIT / VAULT
- PEDESTAL
- DROP VAULT
- TRANSFORMER POLE
- POWER POLE

- W WATER UTILITY
- G NATURAL GAS UTILITY
- GR GRANDE UTILITY
- T TELEPHONE UTILITY
- E ELECTRIC UTILITY

- SS SANITARY SEWER UTIL.
- SC EX. SPECTRUM CONDUIT
- UG UNDERGROUND
- ROW RIGHT OF WAY LINE
- EXISTING CURB
- EOP EDGE OF PAVEMENT

- DOWN GUY & ANCHOR
- RISER
- NEW BUILD OVERLASH
- NEW UG TRENCH
- NEW UG BORE

REVISIONS	
DATE	COMMENTS
	IAD

PREPARED BY: