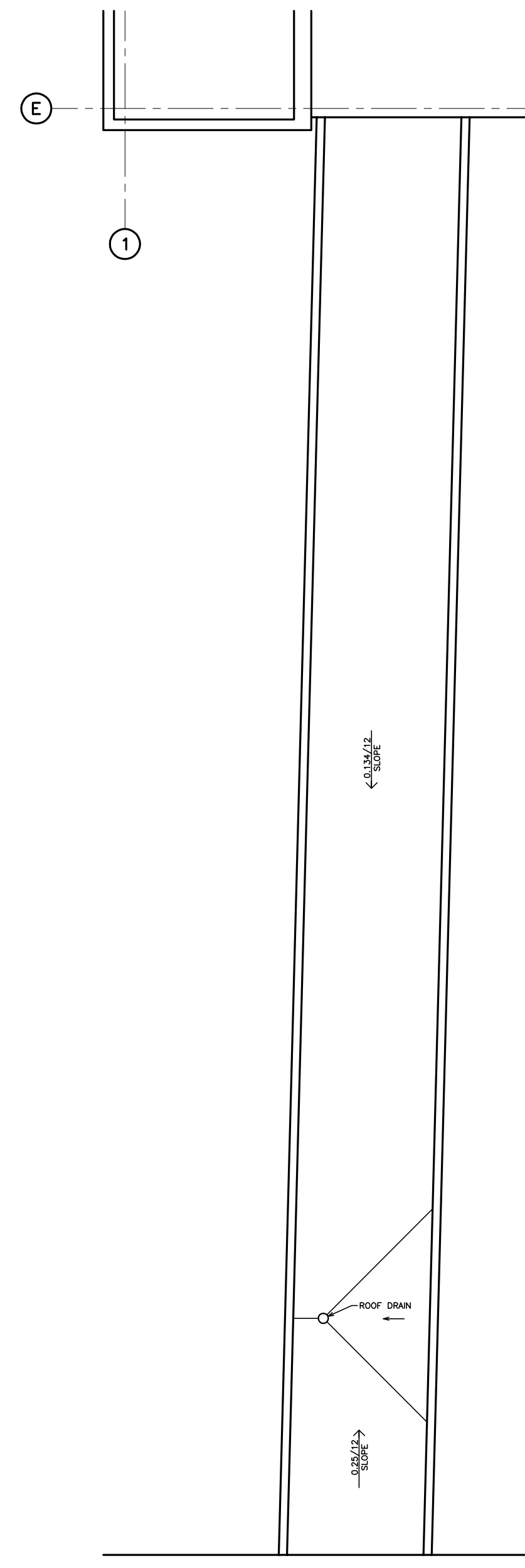
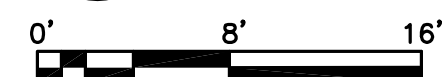


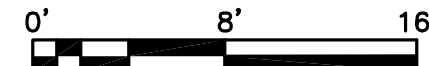
4  
A108  
SKYBRIDGE FLOOR PLAN

SCALE (11X17): 1/16"=1'-0"  
SCALE (24X36): 1/8"=1'-0"

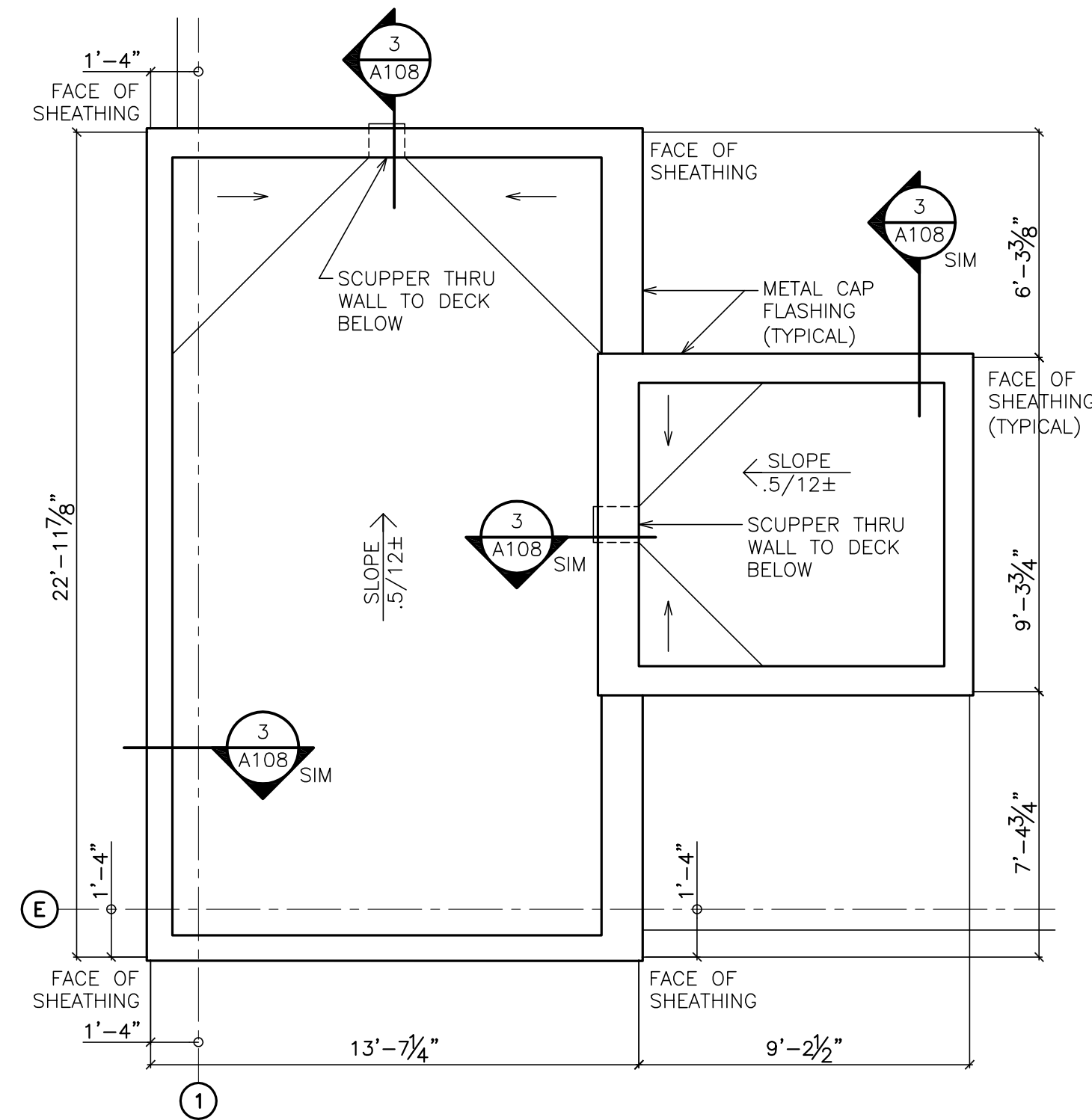


5  
A108  
SKYBRIDGE ROOF PLAN

SCALE (11X17): 1/16"=1'-0"  
SCALE (24X36): 1/8"=1'-0"

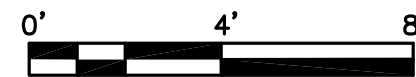


SEE ROOFING NOTE AT 1/A108

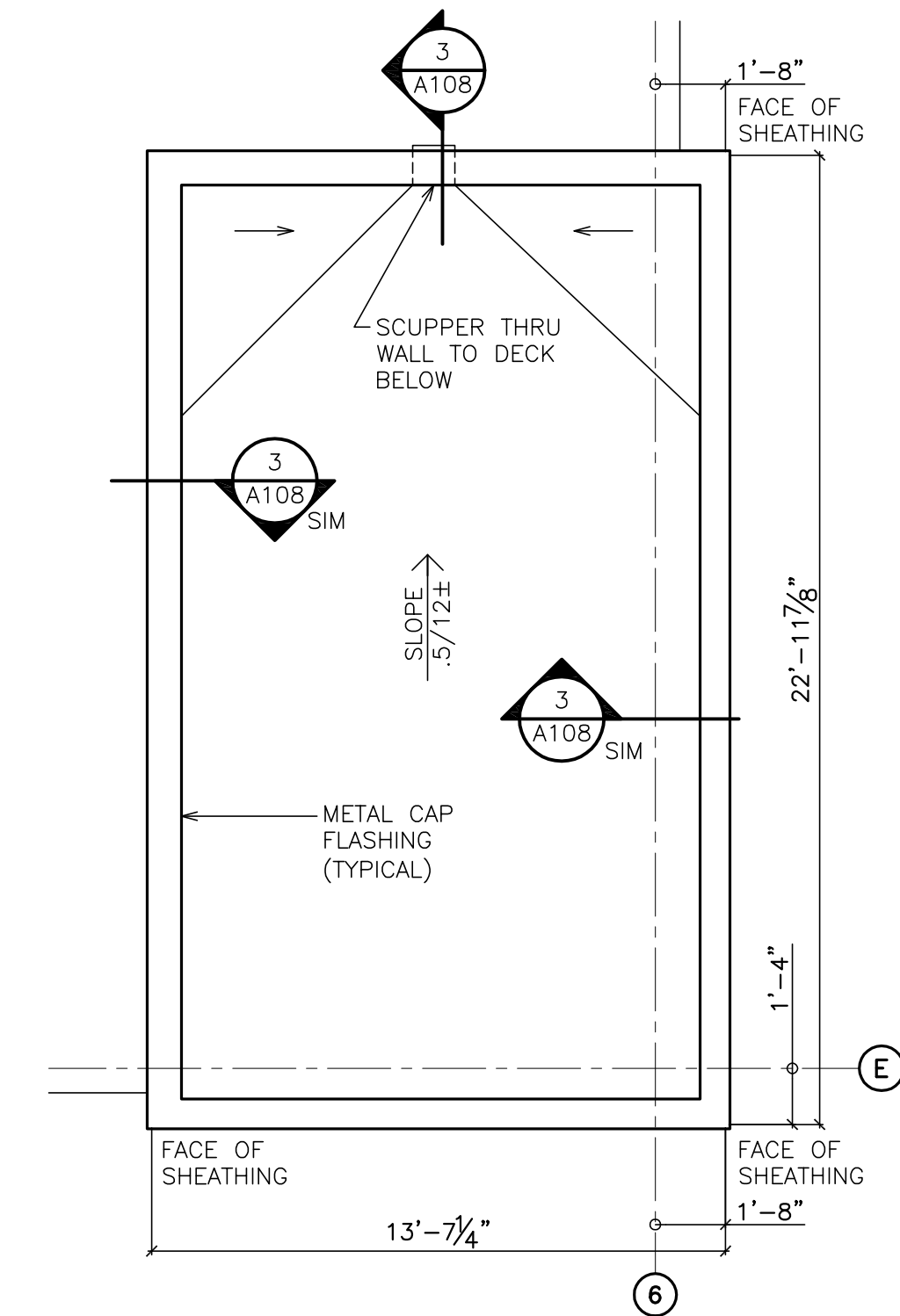


1  
A108  
STAIR 1/ELEVATOR ROOF PLAN

SCALE (11X17): 1/8"=1'-0"  
SCALE (24X36): 1/4"=1'-0"

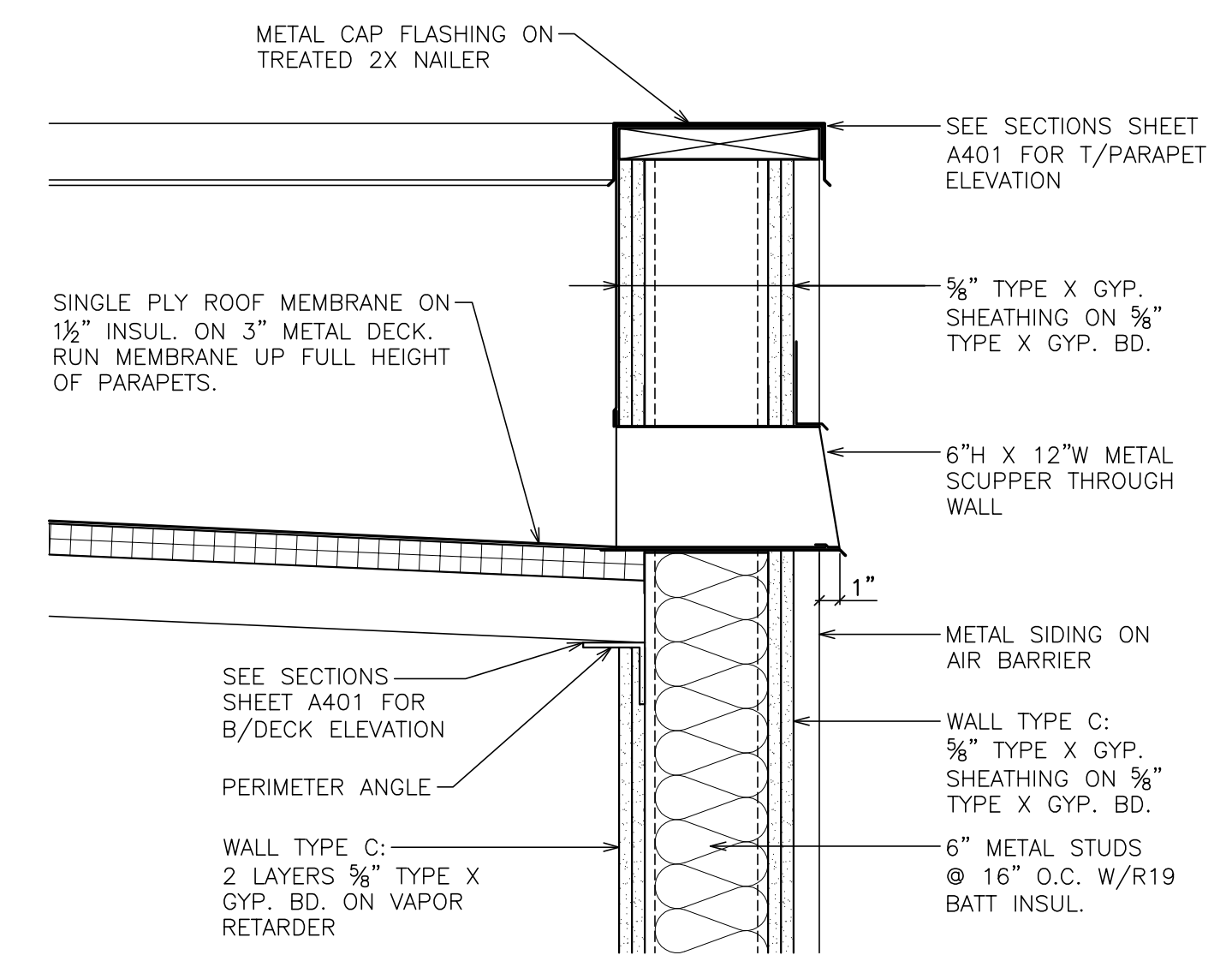


ROOFING NOTE:  
SINGLE PLY, 60 MIL, TPO, FULLY ADHERED MEMBRANE ROOFING ON 1/2" HIGH DENSITY POLYISO INSUL. BD. ON 1/2" METAL DECK. RUN MEMBRANE UP FULL HEIGHT OF PARAPETS.



2  
A108  
STAIR 2 ROOF PLAN

SCALE (11X17): 1/8"=1'-0"  
SCALE (24X36): 1/4"=1'-0"



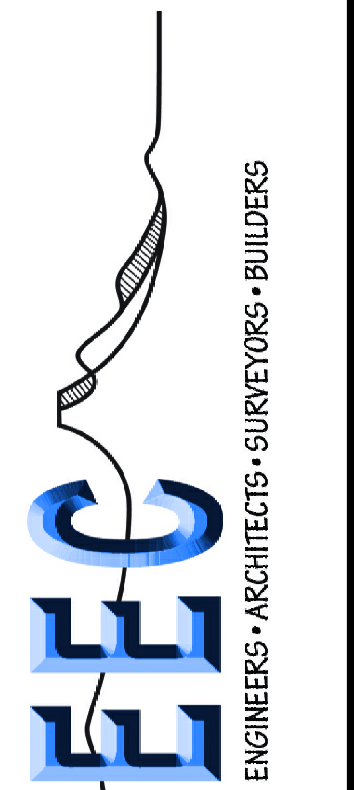
3  
A108  
TYPICAL PARAPET/SCUPPER DETAIL AT STAIR/ELEVATOR ROOF

SCALE (11X17): 3/4"=1'-0"  
SCALE (24X36): 1 1/2"=1'-0"

PERMIT SET  
SHEET#: A108

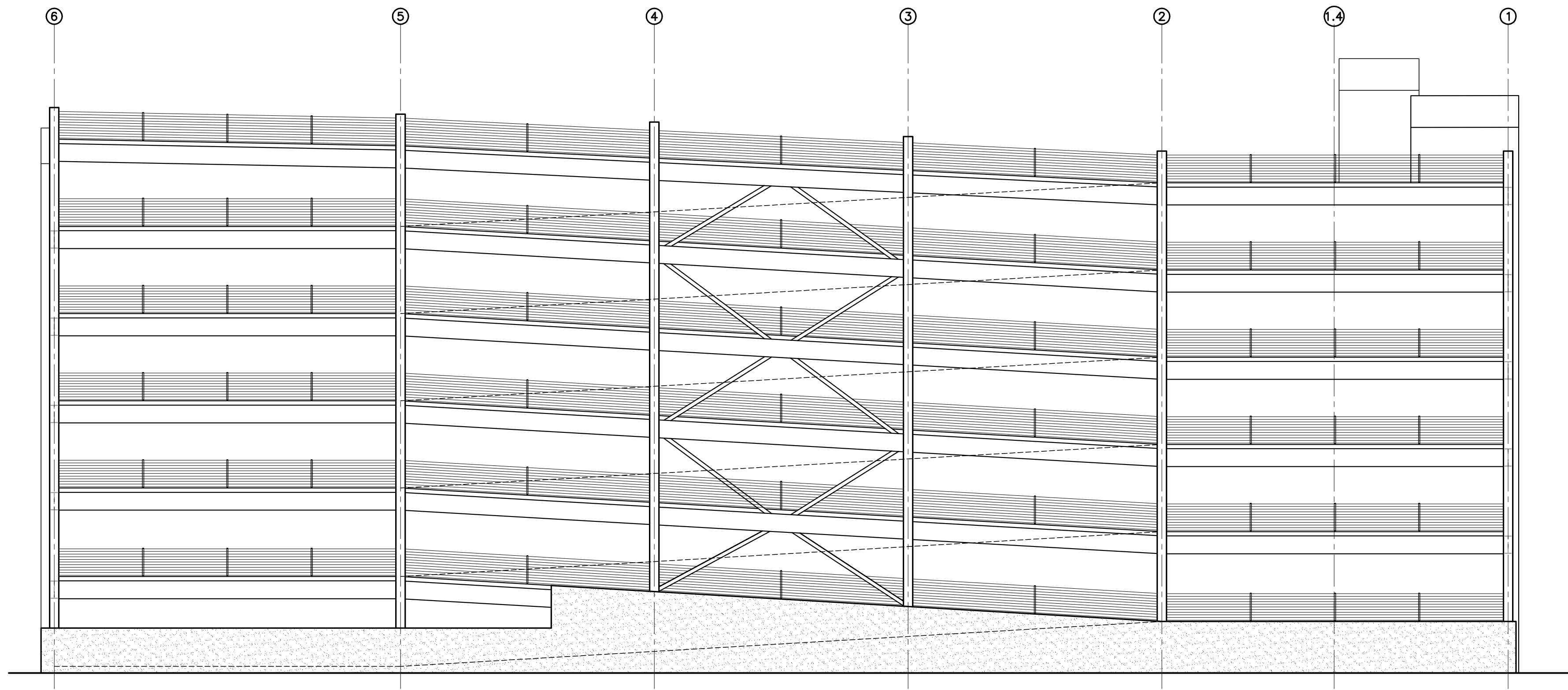
STILLWATER PARKING GARAGE  
2549 3rd AVENUE NORTH  
BILLINGS, MT 59101

EGGART ENGINEERING COMPANY  
720 LOHWEST LANE  
BILLINGS, MT 59106  
OFFICE: 406-839-9151  
FAX: 406-839-9150  
www.eccmt.com

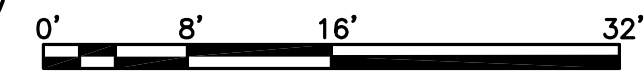


04-19-18

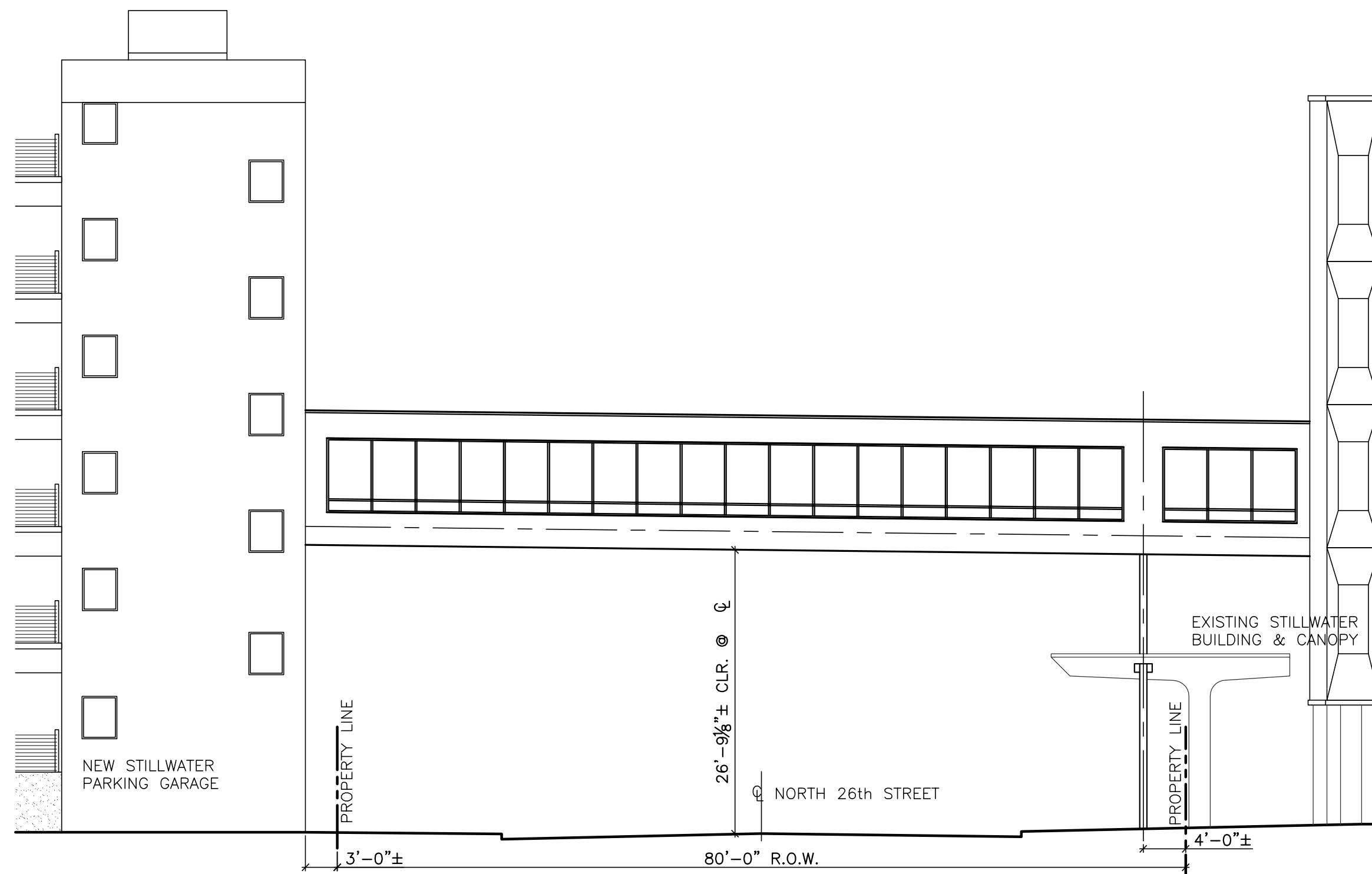
Drawn By: RLB  
Checked By: RLB  
Date: 03-21-2018  
Project #: STILLWATER PARKING GARAGE  
Cadd file:



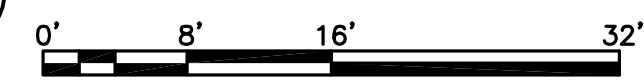
1 EAST ELEVATION  
A202



SCALE (11X17): 3/64"=1'-0"  
SCALE (24X36): 3/32"=1'-0"



2 SKYBRIDGE NORTH ELEVATION  
A202



SCALE (11X17): 3/64"=1'-0"  
SCALE (24X36): 3/32"=1'-0"

Drawn By: RLB  
Checked By:  
Date: 03-21-2018  
Project #: PARKING GARAGE  
Cadd file:

04-19-18

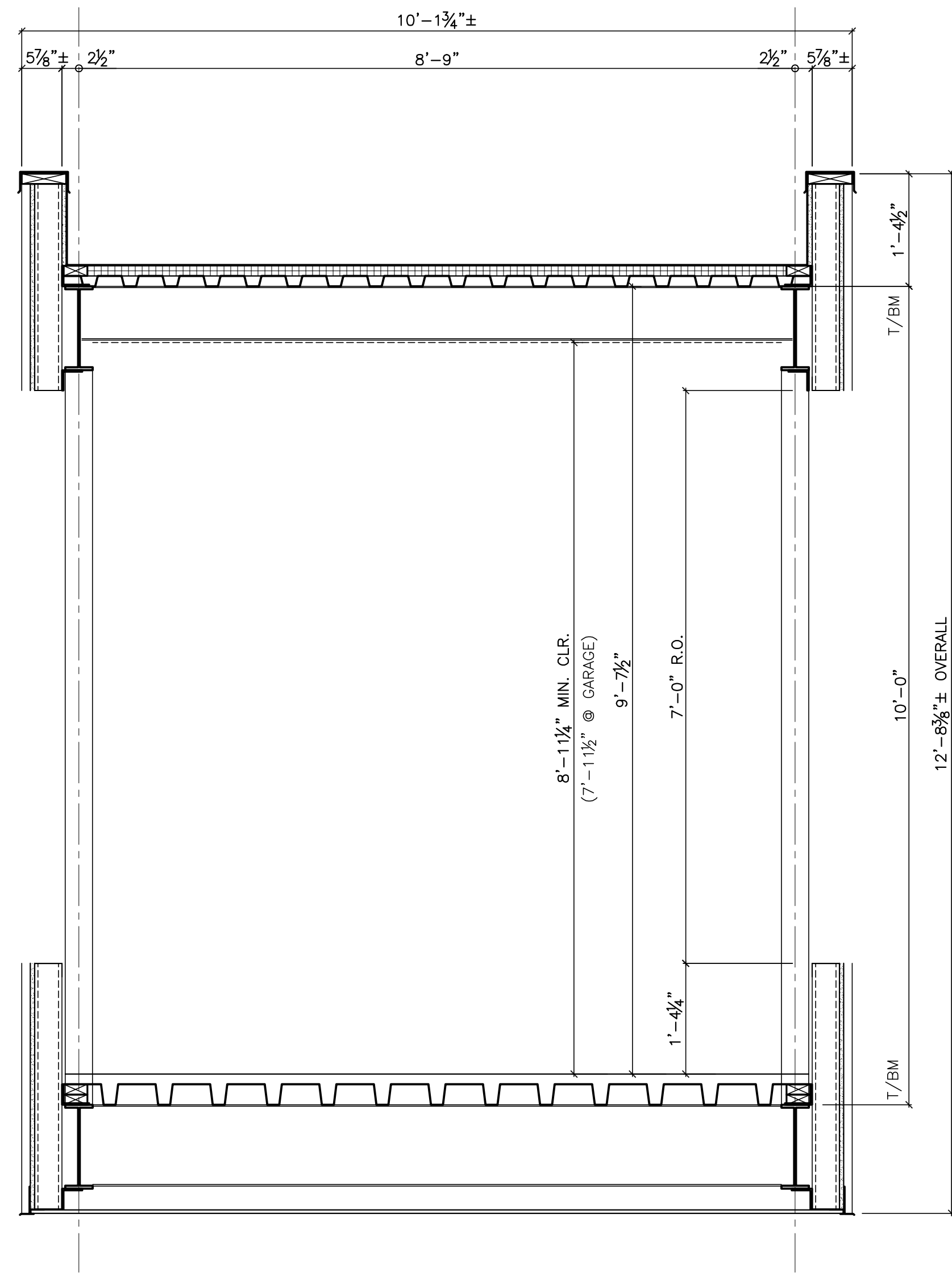


EGGART ENGINEERING COMPANY  
720 LOHWEST LANE  
BILLINGS, MT 59106  
OFFICE: 406-839-9151  
FAX: 406-839-9150  
www.eccmt.com

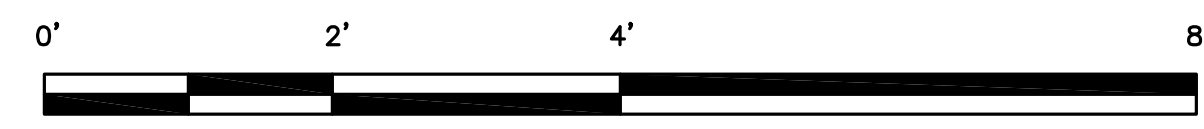
STILLWATER  
PARKING GARAGE  
2549 3rd AVENUE NORTH  
BILLINGS, MT 59101

PERMIT  
SET  
SHEET#:  
**A202**





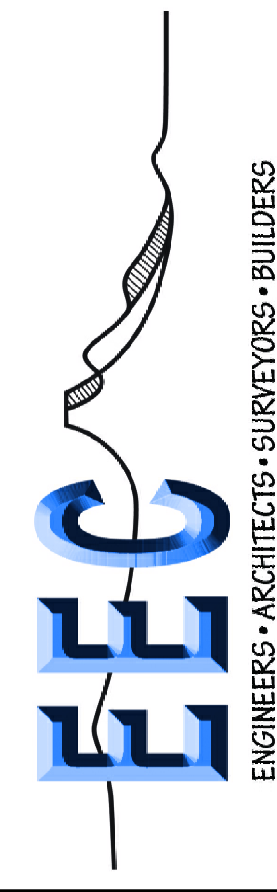
1 SKYBRIDGE SECTION  
A302



SCALE (11X17): 3/16"=1'-0"  
SCALE (24X36): 3/8"=1'-0"

Drawn By: RLB  
Checked By:  
Date: 03-21-2018  
Project #: PARKING GARAGE  
Cadd file:

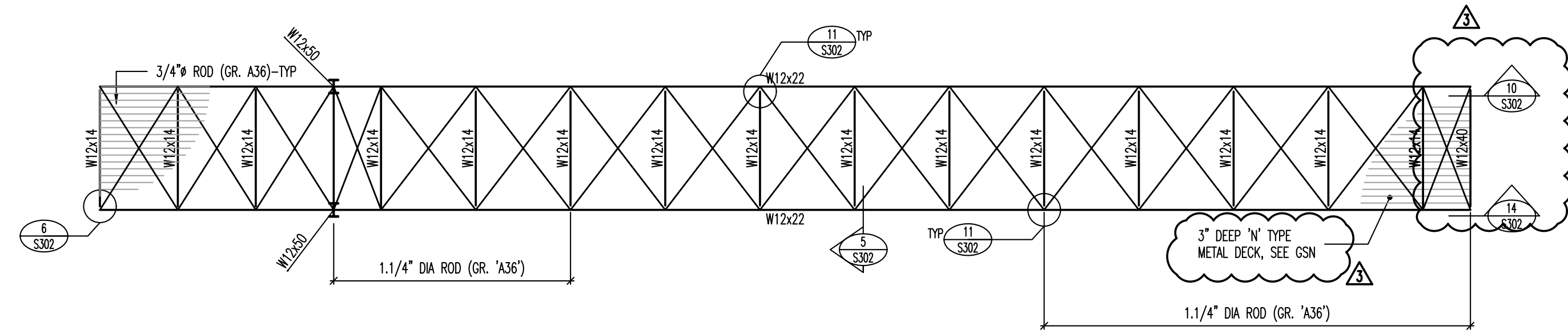
04-19-18



EGGART ENGINEERING COMPANY  
720 LOHWEST LANE  
BILLINGS, MT 59106  
OFFICE: 406-839-9151  
FAX: 406-839-9150  
www.eccmt.com

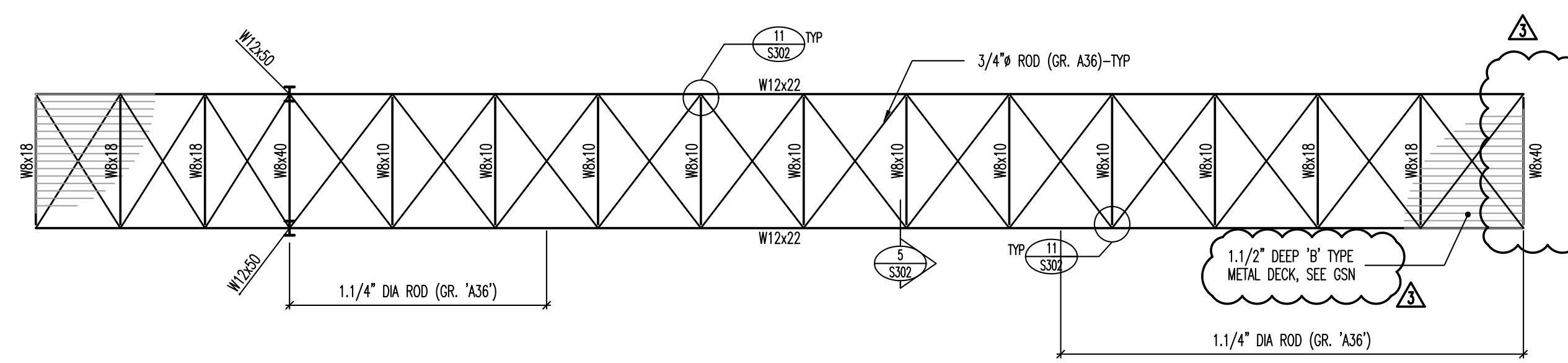
STILLWATER  
PARKING GARAGE  
2549 3rd AVENUE NORTH  
BILLINGS, MT 59101

PERMIT SET  
SHEET#: A302



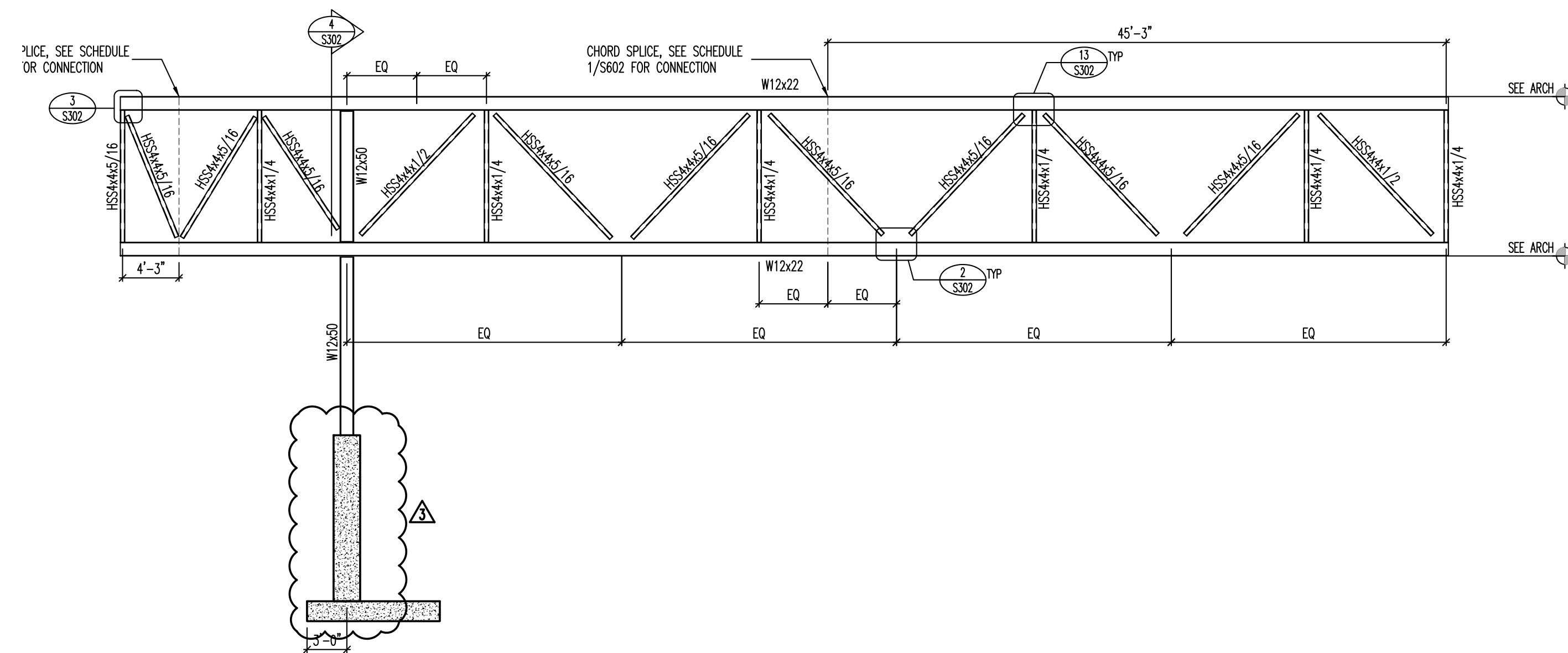
1 SKYBRIDGE FLOOR FRAMING PLAN

SCALE: 1/8"=1'-0" 0 4' 8' 16'

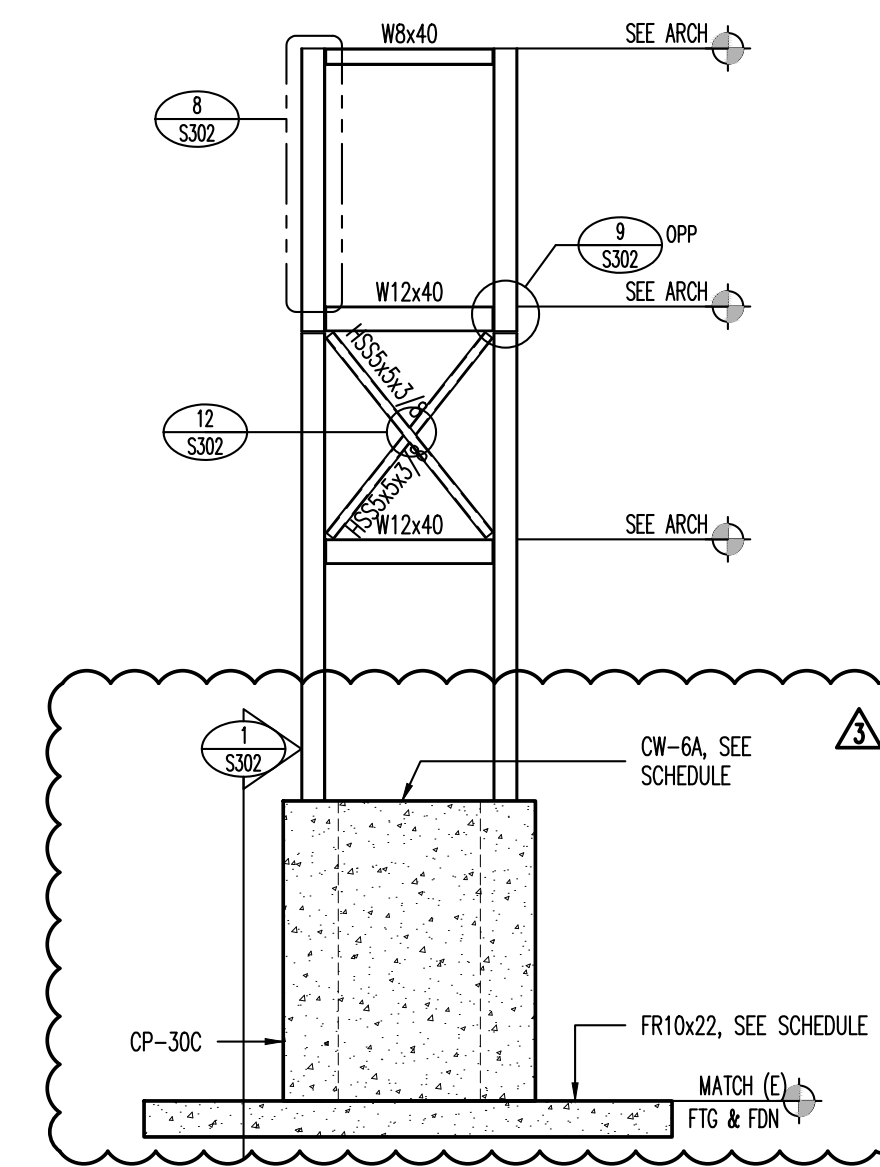


2 SKYBRIDGE ROOF FRAMING PLAN

SCALE: 1/8"=1'-0" 0 4' 8' 16'



3 SKYBRIDGE TRUSS FRAME ELEVATION

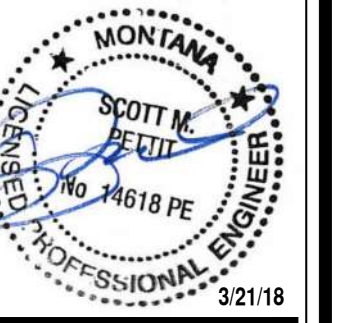


4 BRACED MOMENT FRAME ELEVATION



BHB STRUCTURAL  
2766 S. Main Street  
Salt Lake City, Utah 84115  
801.355.5656  
bhb@bhbengineers.com

STAMP:



CLIENT:



2002 MORGAN ROAD  
SUNNYSIDE, WA 98902  
(509) 837-7008  
FAX (509) 837-8064

PROJECT:

NEW PARKING GARAGE  
XXX NORTH 26TH STREET  
BILLINGS, MT 59101

REVISIONS:

No.	Revision	Date
1	Fig & fcn revisions	3/21/18
2	REVISION 2	4/12/18
3	REVISION 3	4/19/18

PROJECT INFO:

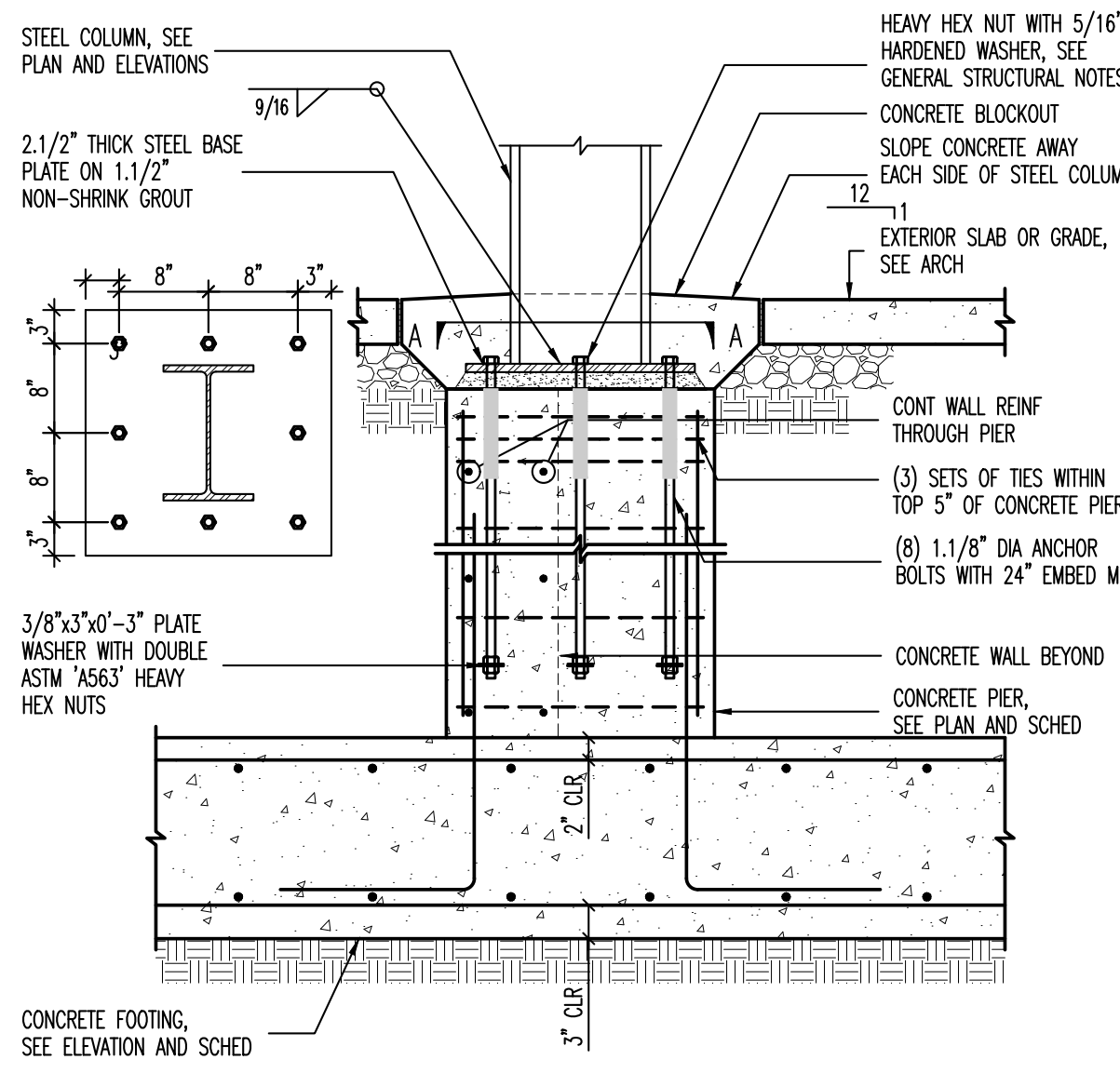
PROJECT No. 180117  
ISSUE: PERMIT  
DATE: 3-21-18  
ENGINEERED BY: FZ AND AP  
DRAWN BY: MP  
CHECKED BY: DB  
COPYRIGHT: 2018 - BHB  
CONSULTING ENGINEERS, P.C.

SHEET TITLE:

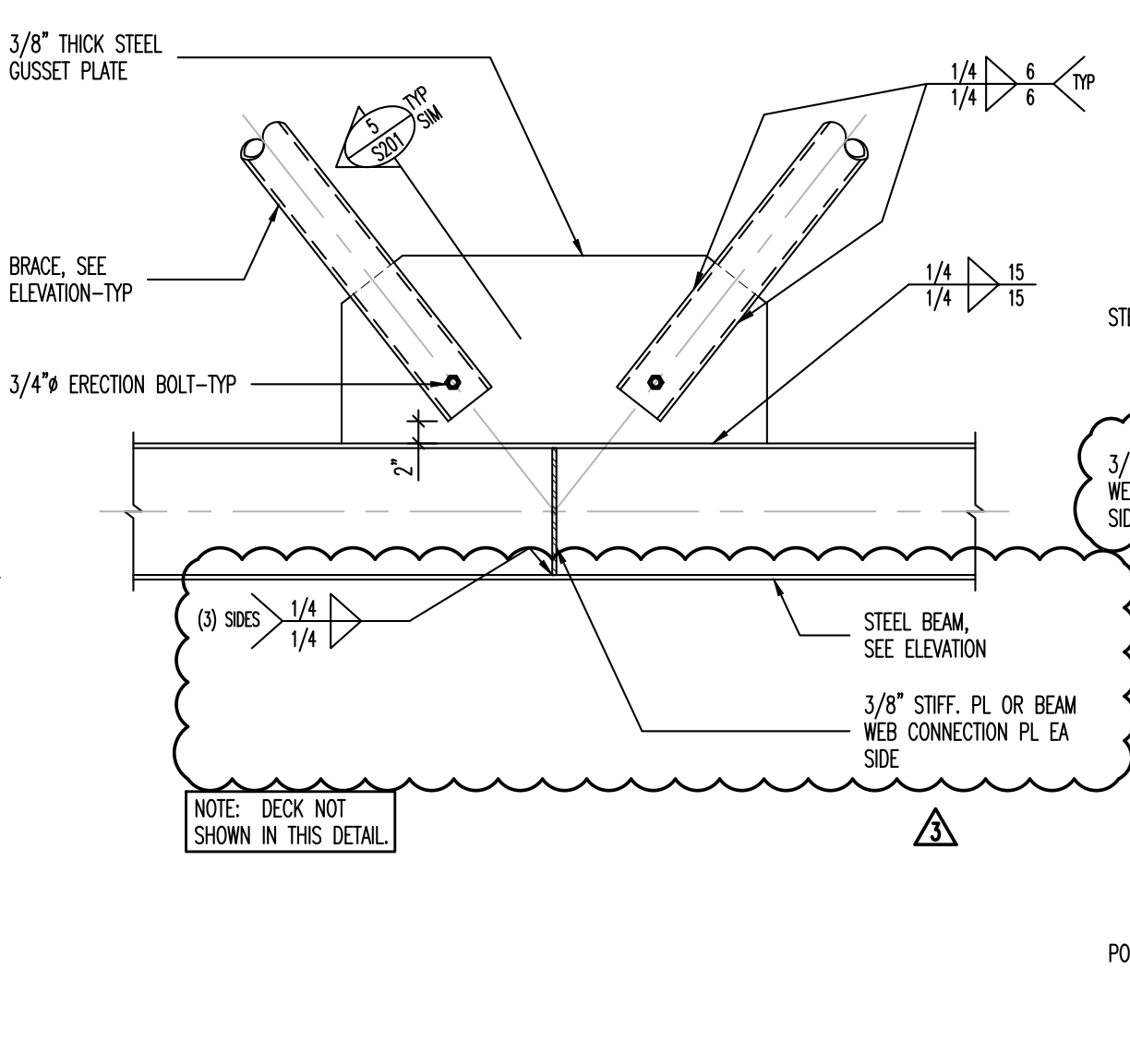
SKYBRIDGE  
FRAMING PLANS  
AND ELEVATIONS

SHEET NUMBER:

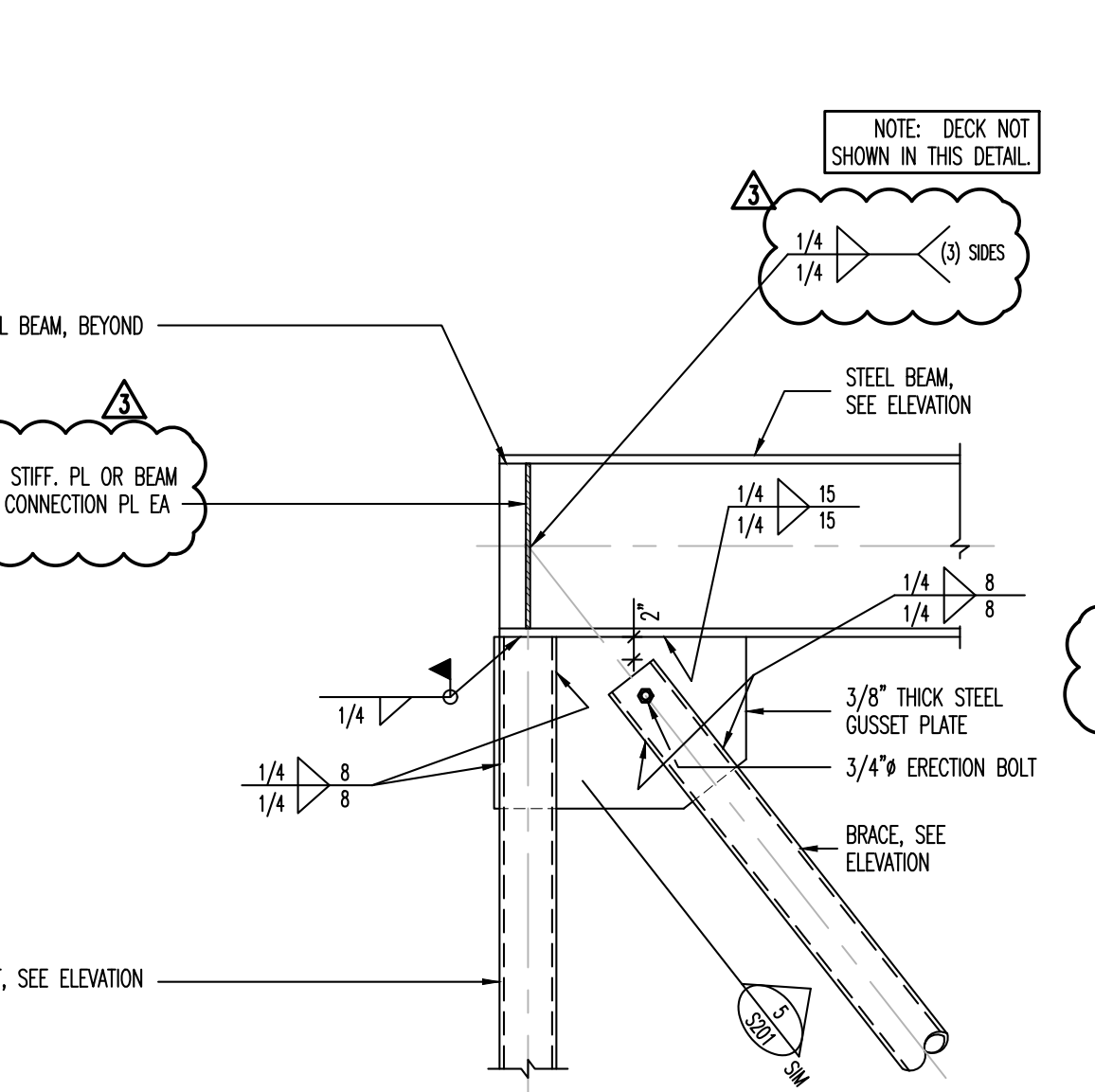
S301



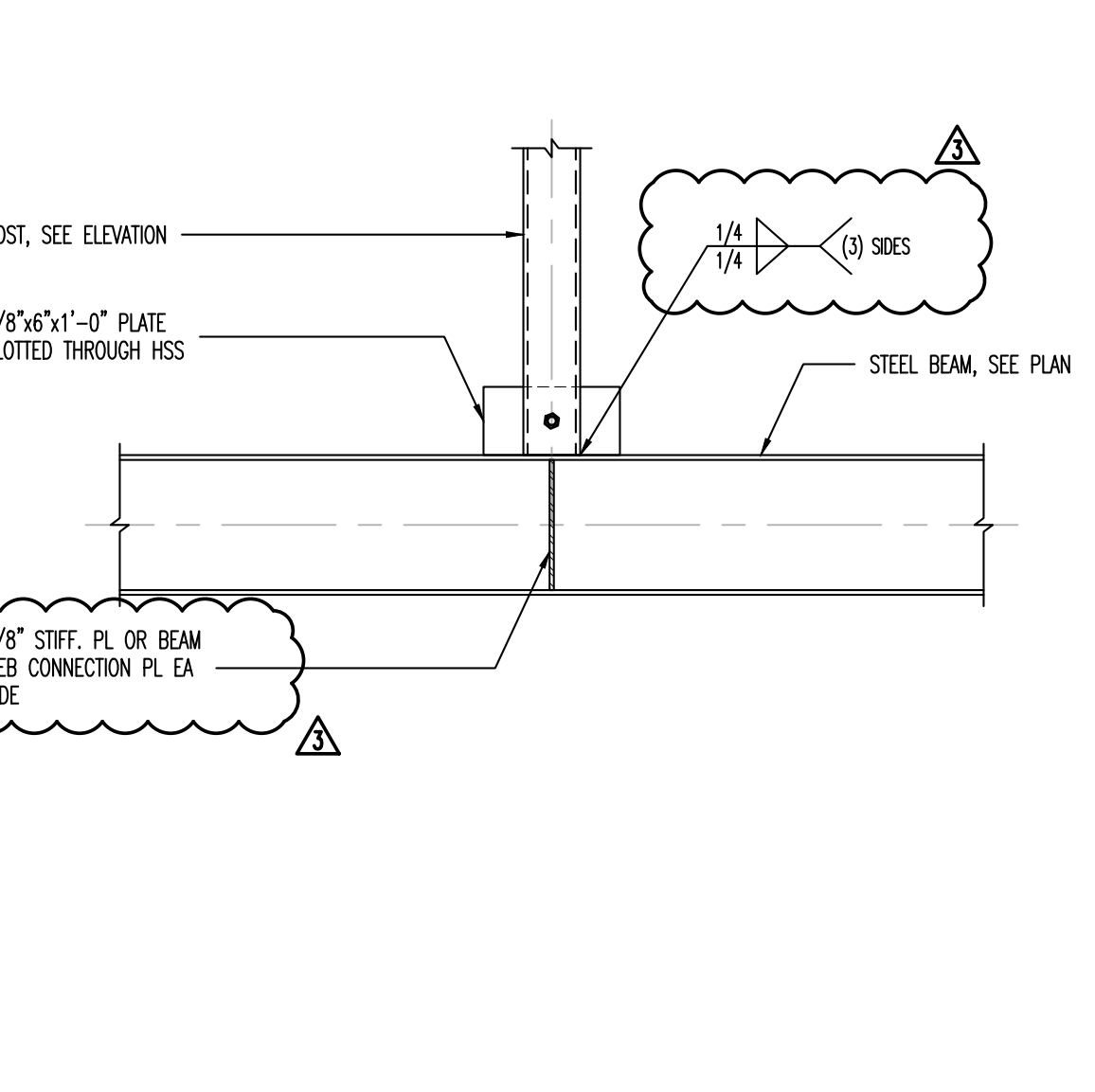
**1 TYPICAL CONCRETE PIER ON CONCRETE FOOTING** NO SCALE



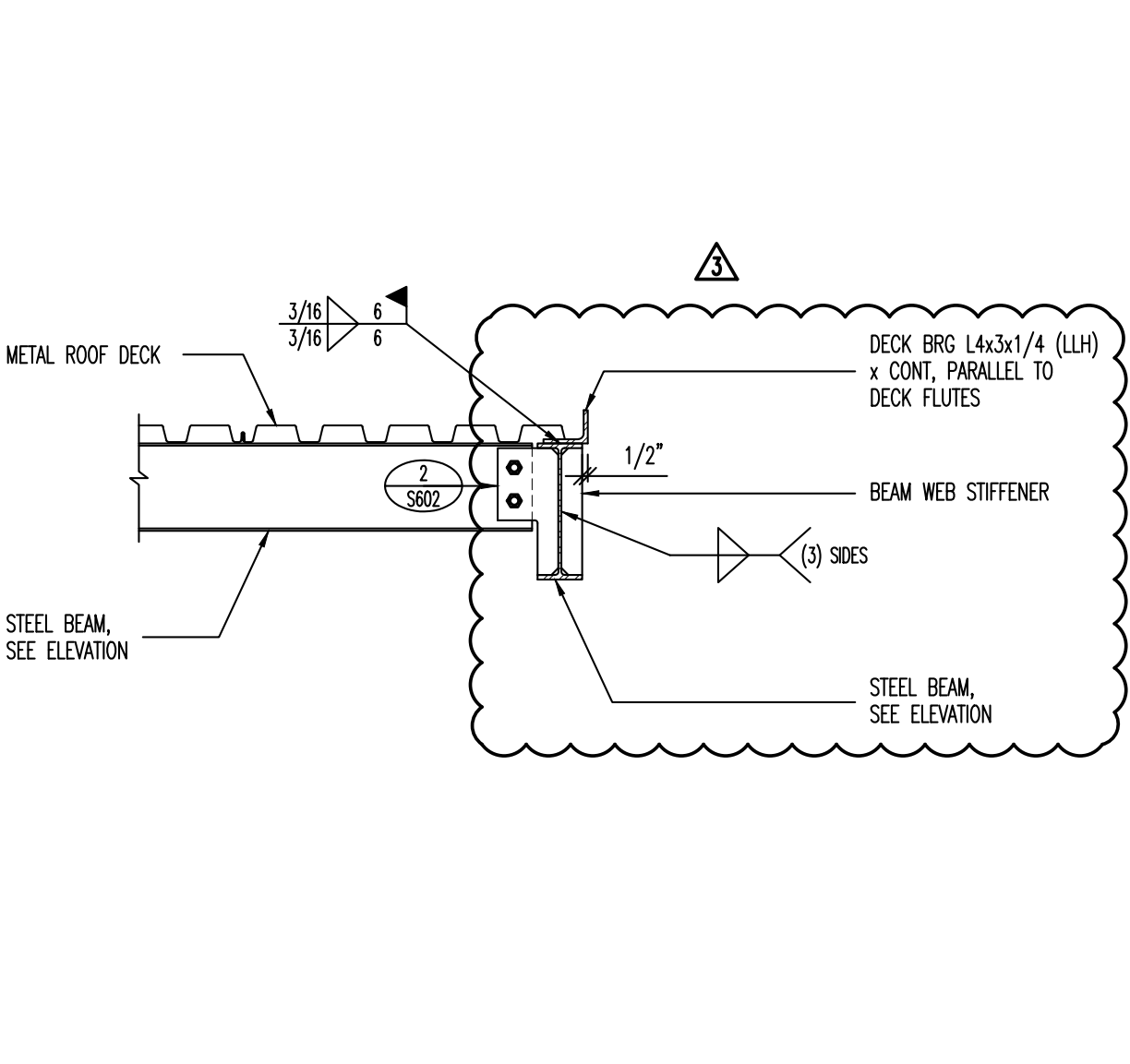
**2 BRACED FRAME CONNECTION DETAIL** NO SCALE



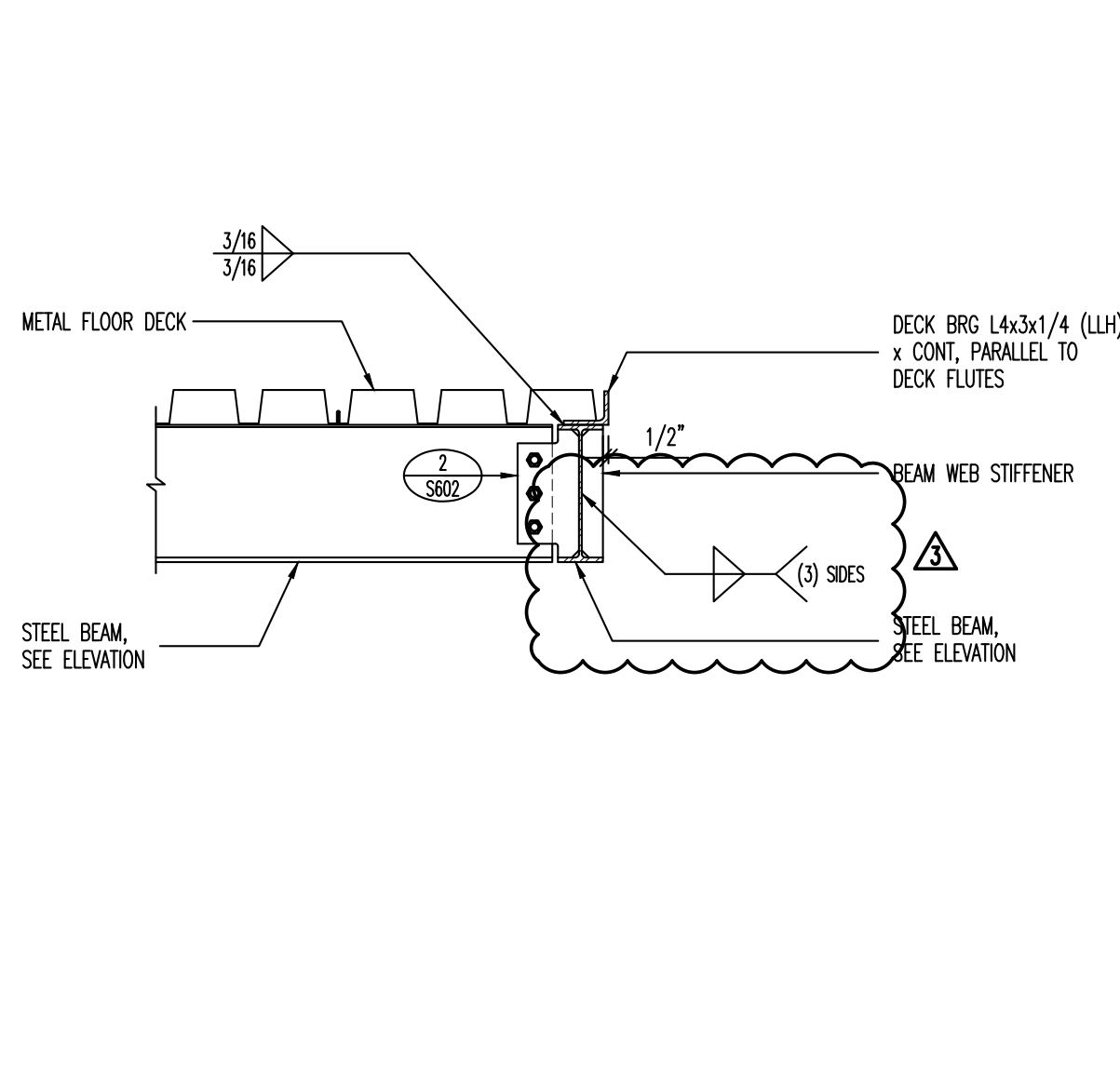
**3 BRACED FRAME CONNECTION DETAIL** NO SCALE



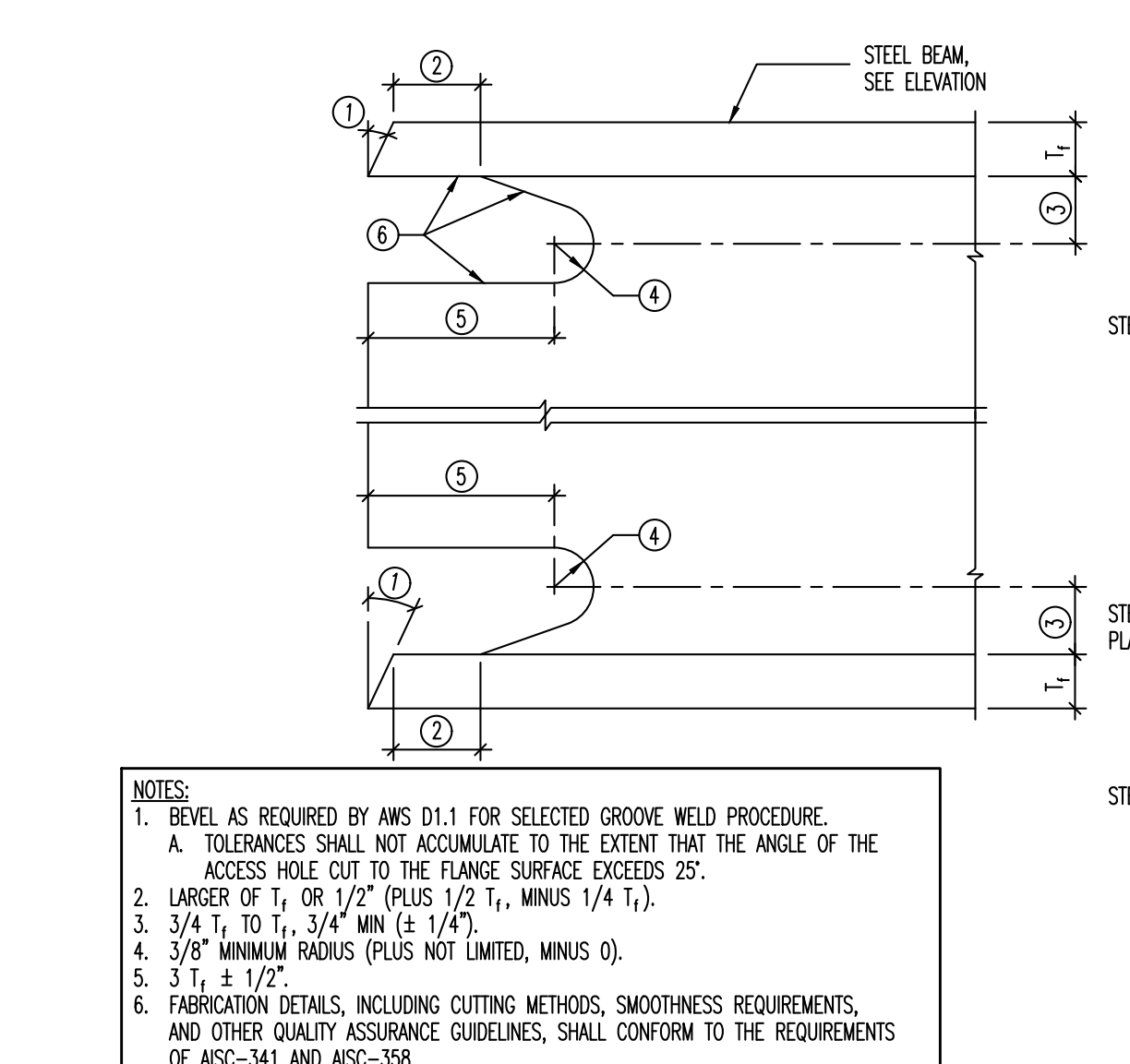
**4 BRACED FRAME CONNECTION DETAIL** NO SCALE



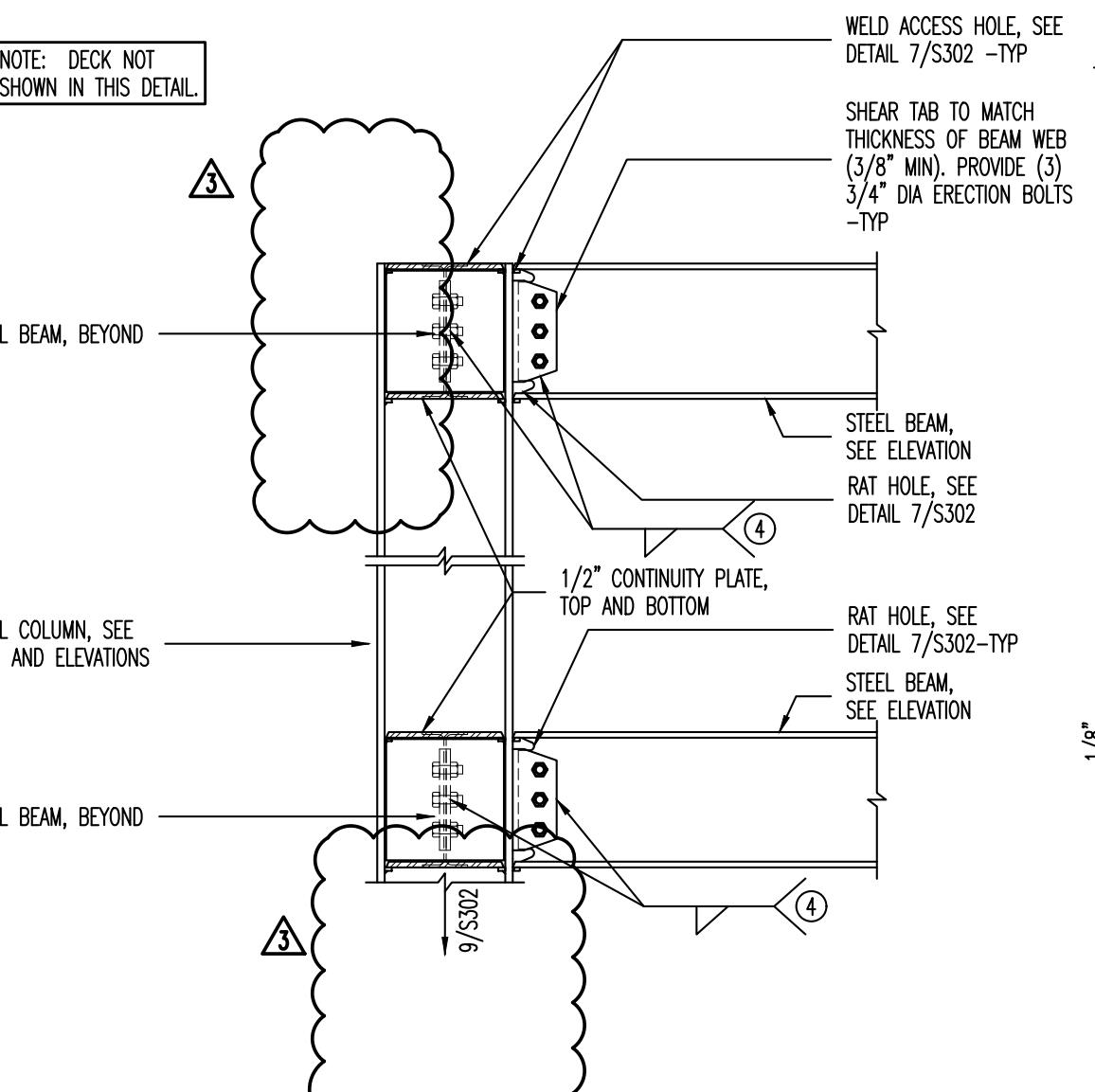
**5 STEEL BEAM AT STEEL BEAM** NO SCALE



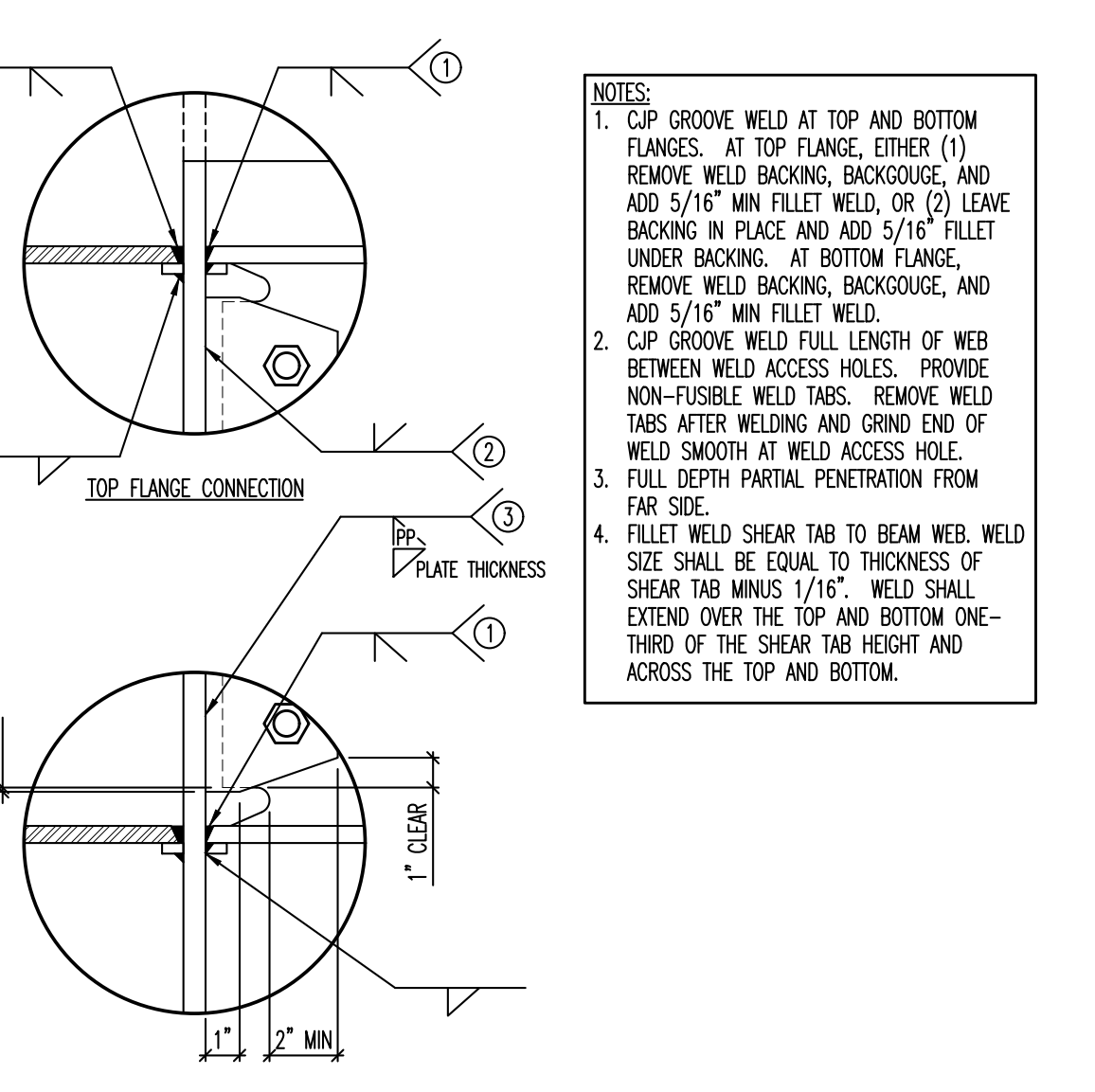
**6 STEEL BEAM AT STEEL BEAM** NO SCALE



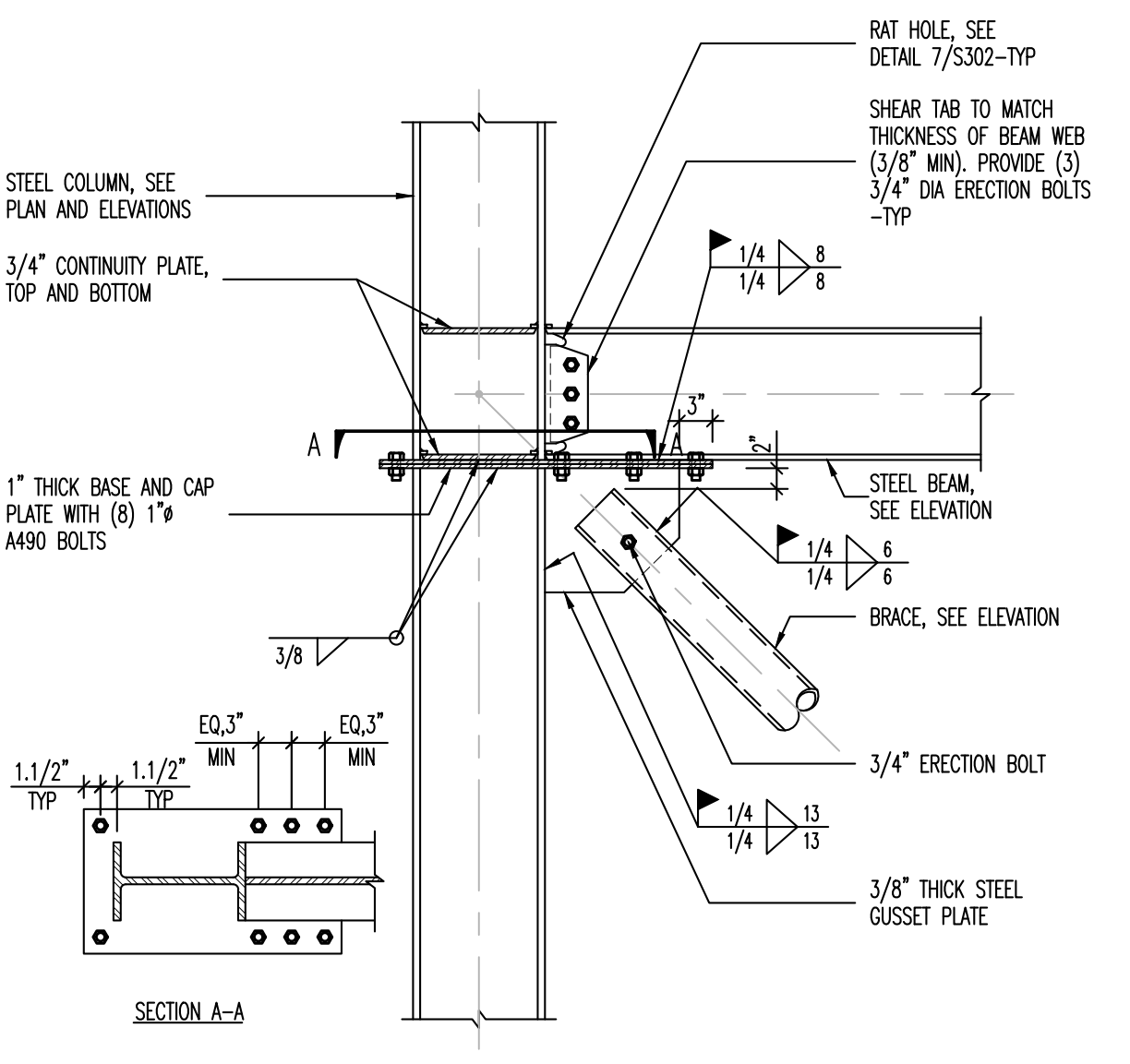
**7 RATHOLE DETAIL AT MOMENT CONNECTION** NO SCALE



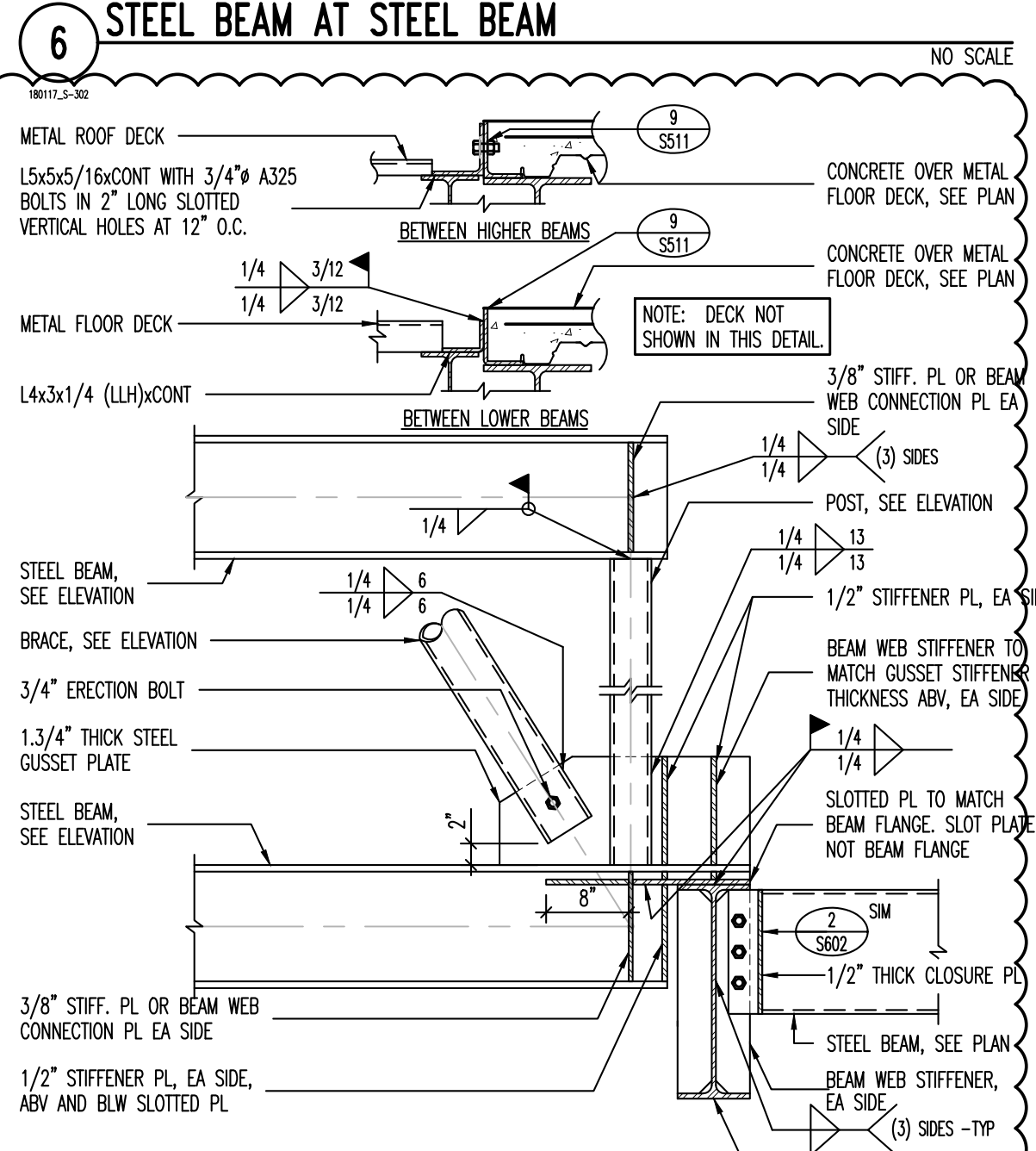
**8 MOMENT FRAME BEAM AT MOMENT FRAME COLUMN** NO SCALE



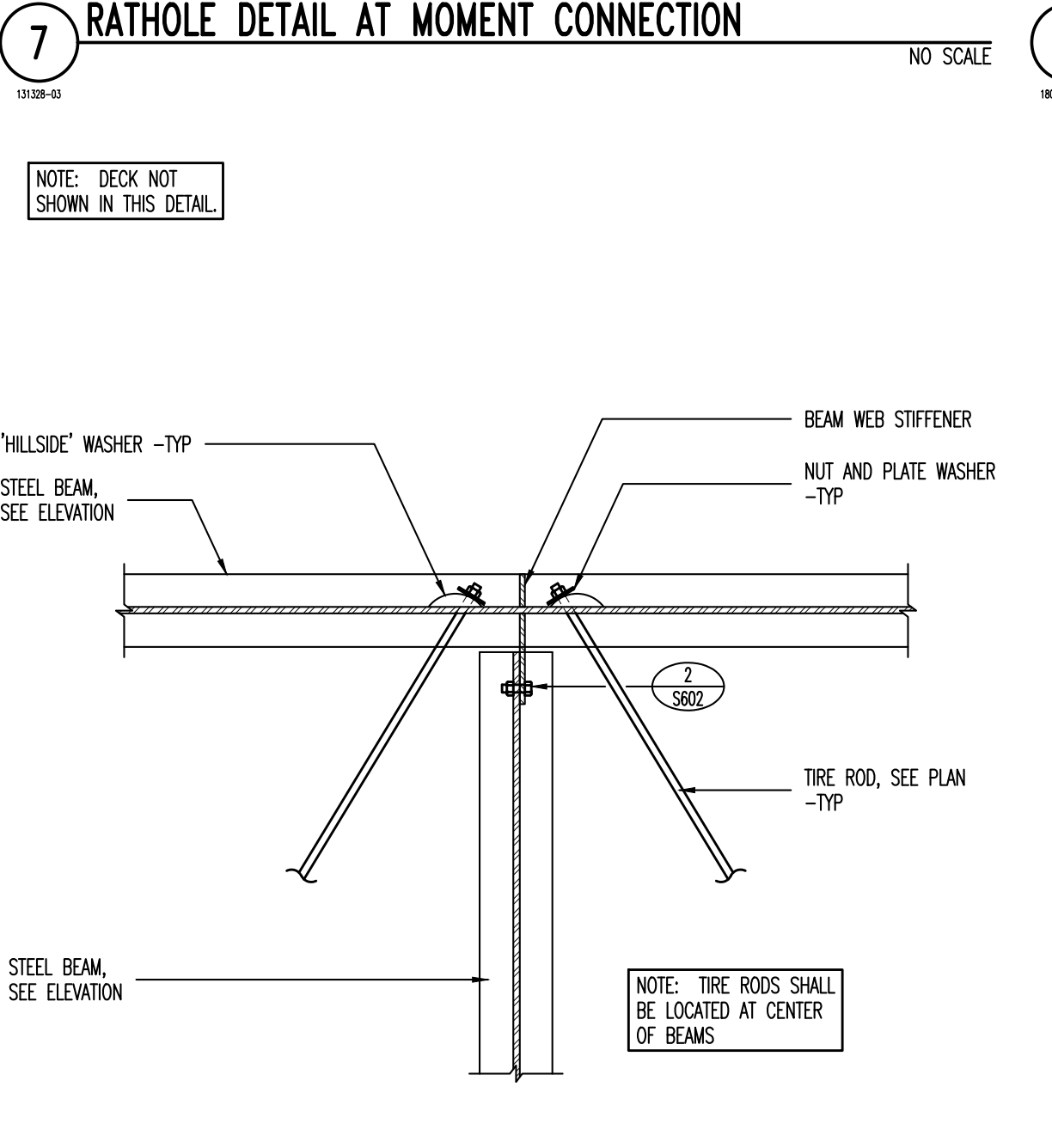
**9 BRACED FRAME CONNECTION DETAIL** NO SCALE



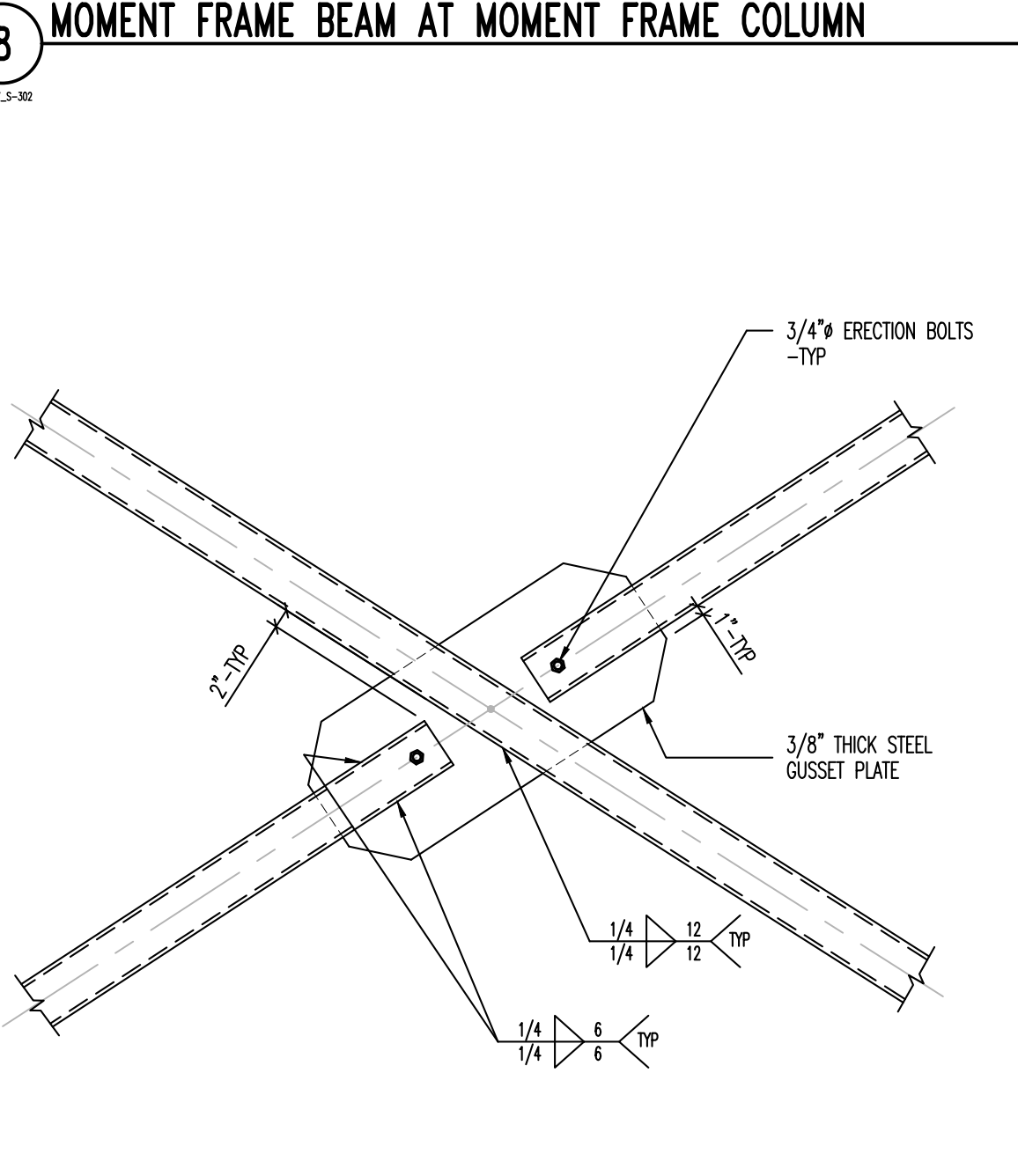
**10 BRACED FRAME CONNECTION DETAIL** NO SCALE



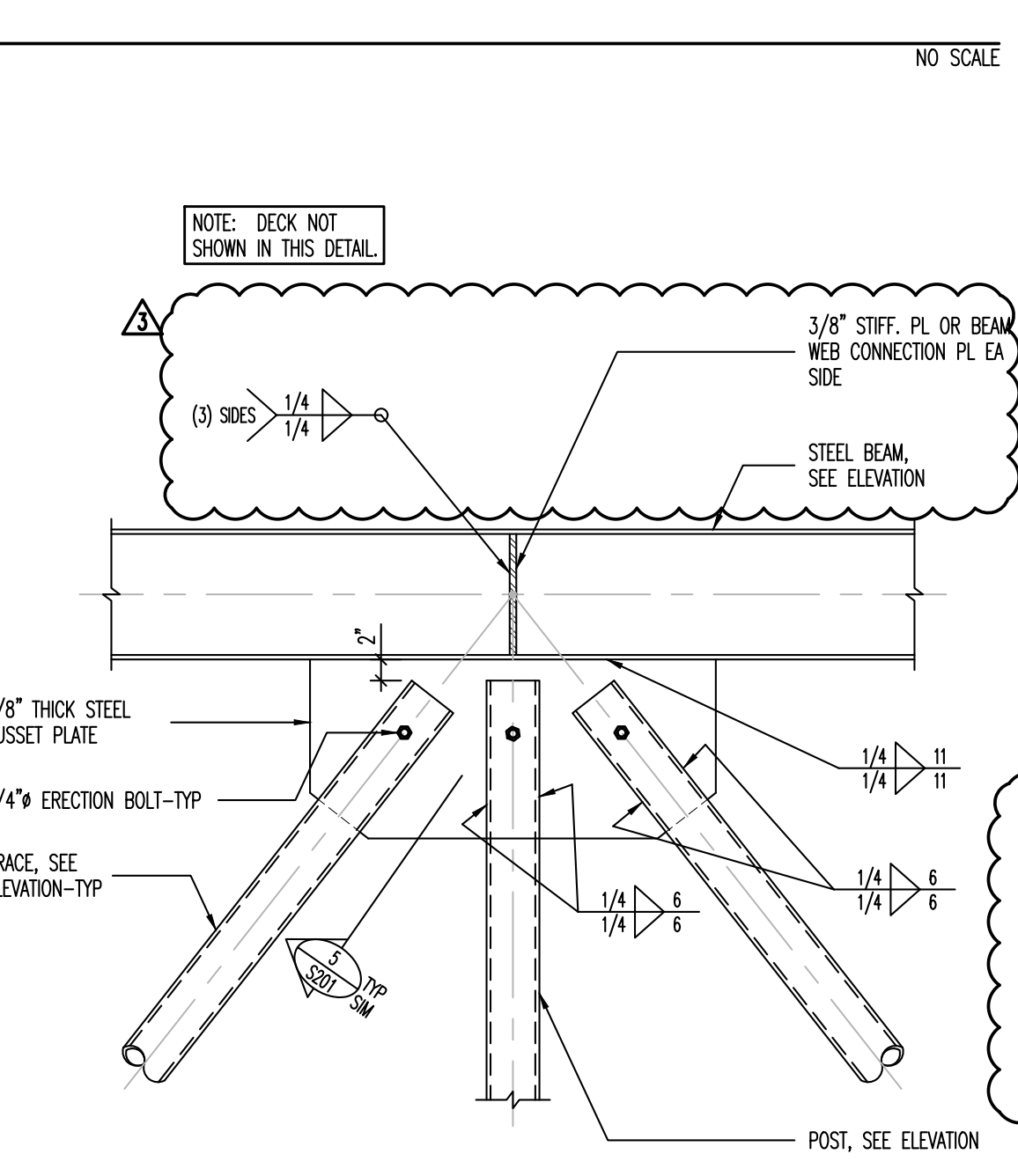
**11 BRACED FRAME CONNECTION DETAIL** NO SCALE



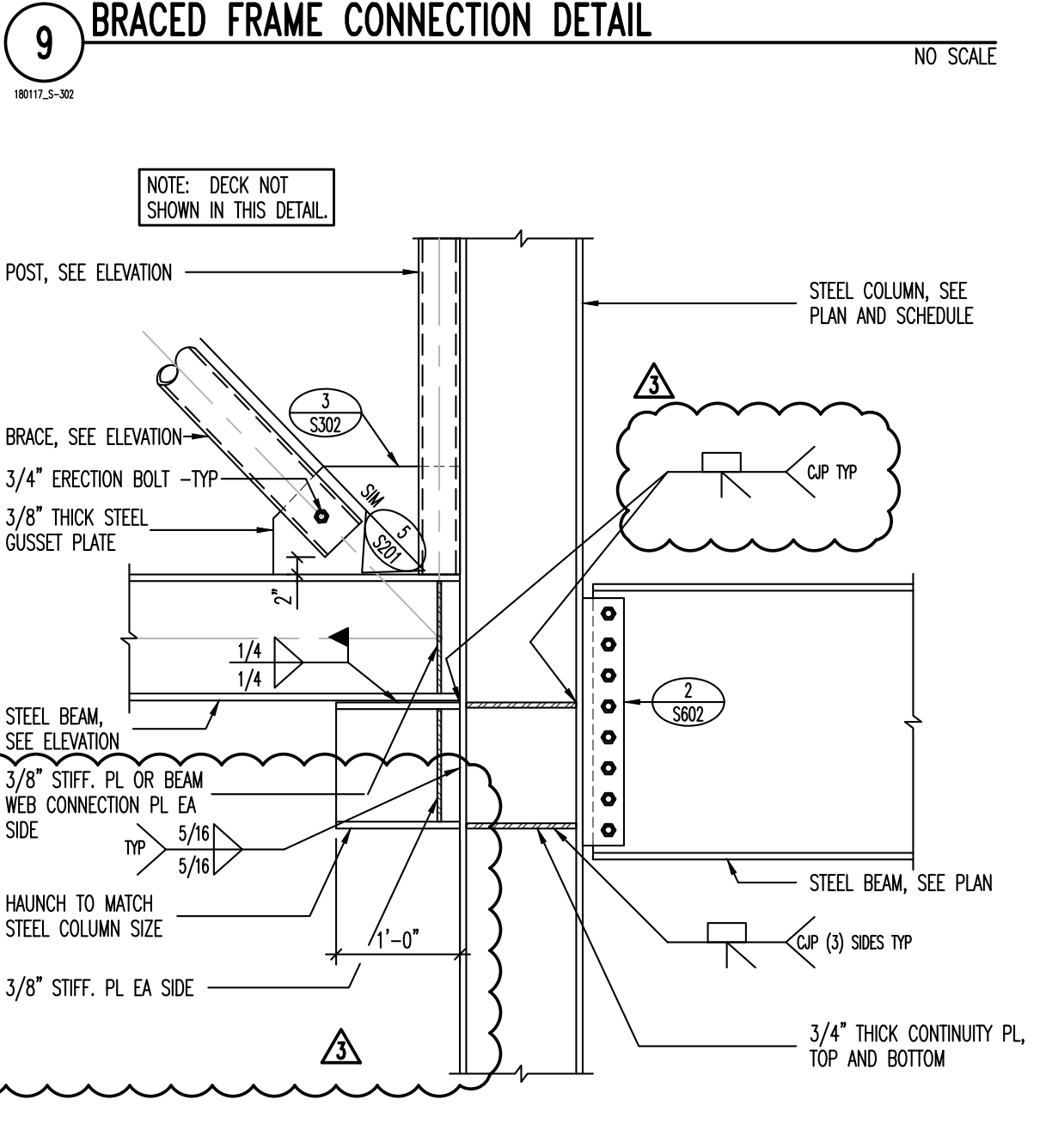
**12 TIE ROD CONNECTION DETAIL [PLAN VIEW]** NO SCALE



**13 BRACED FRAME CONNECTION DETAIL** NO SCALE



**14 BRACED FRAME CONNECTION DETAIL** NO SCALE



**15 BRACED FRAME CONNECTION DETAIL** NO SCALE

**BHB STRUCTURAL**  
2766 S. Main Street  
Salt Lake City, Utah 84115  
801.355.5655  
bhb@hbengineers.com

STAMP:  
SCOTT M. PEULT  
No. 14618 PE  
PROFESSIONAL ENGINEER  
3/21/18

CLIENT:  
**SUNSTEEL**  
2002 MORGAN ROAD  
SUNNYSIDE, WA 98902  
(509) 837-7008  
FAX (509) 837-8064

PROJECT:

**NEW PARKING GARAGE**  
**XXX NORTH 26TH STREET**  
**BILLINGS, MT 59101**

REVISIONS:

No.	Revision	Date
1	ftg & fdm revisions	3/21/18
2	REVISION 2	4/12/18
3	REVISION 3	4/19/18

PROJECT INFO:  
PROJECT No. 180117  
ISSUE: PERMIT  
DATE: 3-21-18  
ENGINEERED BY: FZ AND AP  
DRAWN BY: MP  
CHECKED BY: DB  
COPYRIGHT: 2018 - BHB CONSULTING ENGINEERS, P.C.

SHEET TITLE:  
**SKYBRIDGE FRAMING DETAILS**

SHEET NUMBER:  
**S302**