



## **INVITATION FOR BID (IFB)**

**Name of Good or Service Requested:**

### **MINI-EXCAVATOR**

**Contents:**

- A. Summary of Invitation for Bid
- B. Instructions to Bidders
- C. Contract Requirements and Specifications
- D. Pricing and Addendum
- E. Standard Terms and Conditions
- F. Intent to Respond Form
- G. Questions

Attachment A – Master Q & A Form



#### **A. Summary of Invitation for Bid**

This bid is for the purpose of entering into a contract for a MINI-EXCAVATOR for the City of Billings. The successful bidder agrees to provide the City of Billings with an acceptable quality of equipment/service, performance and workmanship as determined by the City of Billings.

It is the purpose of this bid to obtain the best quality of equipment/service at the most favorable price to the City of Billings. Consideration will be given for the level of service offered and ability to meet stated specifications as outlined in the contract documents.

The lowest bid need not be accepted if it is documented that a specific supplier in the past has been a poor performer or has provided poor goods.

#### **B. Instructions to Bidders**

Sealed bids entitled MINI-EXCAVATOR for the City of Billings, will be received by the City Clerk up until 2:00 PM (MST) on Tuesday, September 5, 2023.

All bids may be submitted to the Billings City Clerk, via email at [bids@billingsmt.gov](mailto:bids@billingsmt.gov) or via mail or delivery at 210 N. 27<sup>th</sup> Street, Billings, MT 59101 (P. O. Box 1178, Billings, MT 59103). Bids will be publicly opened and read aloud via Facebook Live on the City's Facebook page: <https://www.facebook.com/Billings-MT-City-Government-74352842013/>. Bid tabulations will be posted for public viewing after the bids have been opened.

More specific additional information regarding this MINI-EXCAVATOR bid may be obtained by contacting Brandon Schmidt, Cemetery Supervisor, via telephone at 406-657-8299, or via email at [schmidtb@billingsmt.gov](mailto:schmidtb@billingsmt.gov).

Each bid must be accompanied by a Certified Check, Cashier's Check, or Bid Bond payable to the City of Billings, Montana, in the amount not less than ten percent (10%) of the total amount of the bid. The bid security will be retained by the City Clerk until the successful bidder enters into a contract with the City of Billings. If no contract is entered into, by the successful bidder, within sixty (60) days the security may be forfeited to the City of Billings.

No bids may be withdrawn after the scheduled time for the public opening of bids, which is 2:00 PM (MST) on Tuesday, September 5, 2023.



The right is reserved to reject any or all bids received, to waive irregularities, to postpone the award of the contract for a period of not to exceed sixty (60) days, and to accept that bid which is in the best interests of the City of Billings, Montana.

The City of Billings is an Equal Opportunity Employer. The Contractor and subcontractor shall abide by the requirements of 41 CFR 60-300.5(a) and 41 CFR 60-741.5(a), which prohibit discrimination against qualified protected veterans and/or qualified individuals on the basis of disability, and requires affirmative action by covered prime contractors and subcontractors to employ and advance in employment qualified protected veterans and individuals with disabilities.

#### EXAMINATION OF DOCUMENTS

Before submitting a bid, the bidder shall:

- a. Carefully examine the Standards and Specifications as well as all other attached documents;
- b. Fully inform themselves of the existing conditions and limitations;
- c. Include with the bid sufficient information to cover all items required in the specifications.

#### BID COMPLIANCE

It shall be the responsibility of the bidder to see that all bids are submitted to the office of the City Clerk before 2:00 PM (MST) on Tuesday, September 5, 2023.

#### BID MODIFICATIONS

Bids shall be made on the forms provided herein; they shall not contain any recapitulation of the work to be done. Modifications, additions or changes to the terms and conditions of this Invitation for Bid may be cause for rejection of the bid. Bids submitted on other forms may be rejected.

#### INTERPRETATION PRIORITY

Should a bidder find discrepancies in, or omissions from, the specifications, or be in doubt as to their meaning, bidder shall notify Brandon Schmidt, Cemetery Supervisor, at [schmidt@billingsmt.gov](mailto:schmidt@billingsmt.gov), who will send written instructions or addenda to all bidders. The City will not be responsible for oral interpretation. All addenda issued prior to bid opening shall be incorporated into and become a portion and part of the contract/agreement upon award. Questions received less than ninety-six (96) hours before the bid opening cannot be answered.

#### WITHDRAWAL OF BIDS



Bidders may withdraw their bid either personally or by written request at any time prior to the time set for bid opening. No bid may be withdrawn or modified after the time set for opening, unless and until the award of the contract is delayed for a period exceeding sixty (60) days.

#### BID PRICE VALID

Bidder acknowledges that no contractual relationship with the Proposer exists until execution of the resulting contract following City Administration or City Council approval. Because contract approval can be delayed due to scheduling or unforeseen circumstances, the Bidder must honor their pricing and any other terms set forth in the proposal for at least ninety (90) days after the bid due date.

#### FUTURE PURCHASES

The bid price will remain in effect for the duration of the model year production and within the manufacturer's capacity to produce the units. The City may place additional orders for vehicles from the prices established as a result of this bid.

The prices established from this bid may be extended to other political subdivisions within the State of Montana solely at the vendor's discretion.

#### CERTIFICATION

The bidder certifies that the bid has been arrived at by the bidder independently and has been submitted without any collusion designed to limit independent bidding or competition. The bidder further certifies that the materials, products, services and/or goods offered herein meet all requirements of the stated specifications and are equal in quality, value and performance with highest quality, nationally advertised brand and/or trade names.

Any manufacturer's trade names, if used in specifications, are for the express purpose of establishing a standard of quality and coordination of design, not for the purpose of limiting competition.

#### ELIGIBILITY

The successful bidder will be required to provide copies of the following, or the ability to obtain the following within 15 days of notification of contract award:

- Completed and signed the new vendor forms, if necessary (to be eligible for payment): <http://mtbillings3.civicplus.com/DocumentCenter/View/26004>
- City of Billings Business License: <https://www.billingsmt.gov/981/Business-License-Information>



- Montana Contractor's License: <http://erd.dli.mt.gov/work-comp-regulations/montana-contractor/construction-contractor-registration>
- Certificate of Workman's Compensation or Certificate of Exemption from Workman's Compensation: <http://erd.dli.mt.gov/work-comp-regulations>

#### EVIDENCE OF QUALIFICATION

Upon request of the City of Billings, a bidder whose bid is under consideration for award may be required to manifest satisfactory evidence of his financial resources, experience, the organization and equipment as well as service provisions bidder has available or will make available. In determining the lowest responsible bidder, in addition to price, the following considerations may be addressed:

- a) The ability, capacity and skill of the bidder to perform the contract or provide the service required.
- b) The character, integrity, reputation, judgment, experience and efficiency of the bidder.
- c) Whether the bidder can perform the contract within time specified.
- d) The quality of performance of previous contracts, agreements and/or performance.
- e) Previous and/or existing compliance by the bidder with laws relating to the contract or services.
- f) Such other information which may be secured having a bearing on the decision to award the contract.



**C. Contract Requirements and Specifications**

Mini Excavator:

Comply (Y/N):

- Bucket Digging Force 10,200 lbf
- 12" Max Tail Swing
- Diesel Engine, Minimum 50HP
- Rubber Tracks
- Dozer Blade
- Roll Over Protective Structure
- Tip Over Protective Structure
- Falling Objects Protective Structure
- Engine Block Heater
- Spark Arrestor
- Enclosed Cab w/HVAC
- Work Lights
- 36" Bucket
- Hydraulic Hammer/Breaker
- All Necessary Kits to Attach/Operate Attachments
- 2-Year Warranty on All Equipment

Options:

Available (Y/N):

- 18" Bucket
- Heated Cab
- Radio
- Attachment Tilt and/or Rotate Kit
- Plate Compactor

Delivered to Mountview Cemetery (1704 Central Ave., Billings, MT 59102)



**D. Pricing and Addendum**

Please bid net prices at which you will agree to furnish required goods or services.

- BASE BID: Mini-Ex w/ 36" Bucket \$ 119,070.<sup>00</sup>
- OPTION 1 (18" Bucket): \$ 1,776.<sup>00</sup>
- OPTION 2 (Heated Cab): \$ Standard
- OPTION 3 (Radio): \$ Standard
- OPTION 4 (Attachment tilt and/or rotate kit): \$ 50,950.<sup>00</sup> inc/shipping + Install
- OPTION 5 (Plate Compactor): \$ 10,653.<sup>41</sup>

TRADE-IN ALLOWANCE FOR UNIT #1906: (\$ 14,000.<sup>00</sup>)  
 1997 JCB-212S Backhoe w/ 4-wheel Drive and 4-wheel steering approx..  
 5400 hours (Received at delivery location)

I/We acknowledge \_\_\_\_\_ addendum.  
#

Tri-State  
Company Name

9/5/2023  
Date

Matt Redden  
Contact Name (please print)

Sale Representative  
Title

Matt Redden  
Signature of Contact Position

**By signing the above, I certify that I am authorized by the Company named above to respond to this request.**



#### **E. Standard Terms and Conditions**

In case of default by the successful bidder or failure to deliver the goods or services within the time specified, the City Purchasing Agent, after written notice, may procure them from other sources and hold contractor responsible for excess costs occasioned thereby.

The specifications attached to the instructions to bidders establish a standard of quality desired by the City of Billings. Any bidder may submit quotations on any article which substantially complies with these specifications as to quality, workmanship and service. The City of Billings reserves the right to make its selections of materials or services purchased, based on its best judgment as to which articles substantially comply with the requirements of the specifications.

No alteration in any of the terms, conditions, delivery, quality, or specifications will be effective without prior written consent of the City of Billings.

No exception to delivery or service dates shall be allowed unless prior written approval is first obtained from the City of Billings.

The contractor warrants all articles supplied under this contract to conform to specifications, herein. The contractor will deliver a warranty stating that all articles supplied under the contract are fit and sufficient for the purpose manufactured, merchantable, and free from defects.

In the event the City is entitled to a prompt payment or cash discount, the period of computation shall commence on the date of delivery, or receipt of correctly completed invoices, whichever is later. If an adjustment of payment is necessary, the discount period shall commence on the date final approval for payment is authorized.

The contractor agrees not to discriminate against any client, employee or applicant for employment or for services, because of race, creed, color, national origin, sex or age with regard to, but not limited to, the following: employment upgrading; demotion or transfer; recruitment or recruitment advertising; layoffs and termination; rates of pay or other forms of compensation; selection for training; rendition of services. It is further understood that any contractor who is in violation of this shall be barred forthwith from receiving awards of any purchase order for the City unless a satisfactory showing is made that discriminatory practices have terminated and that a reoccurrence of such acts are unlikely.

The City reserves the right to cancel and terminate this contract forthwith upon giving 30 days written notice to the contractor. (This provision does not apply to



the purchase of materials and equipment. A purchase order for materials and equipment is a binding contract.)

Should either party employ an attorney or attorneys or utilize the services of in-house attorneys to enforce any of the provisions hereof or to protect its interest in any manner arising under this contract, the non-prevailing party in any action pursued in a court of competent jurisdiction agrees to pay to the prevailing party all reasonable costs, damages, expenses, and attorneys' fees, including fees for in-house attorneys, expended or incurred in connection therewith.

Where applicable, possible or required, bidder is required to submit descriptive literature, sample material, design sketches and detailed shop drawings. Failure to submit required items may result in rejection of the bid or termination of contract.

The successful bidder may not make any advertising or sale use of the fact that contract items are being used by purchaser and other approved agencies, under penalty of contract termination.

This Agreement shall be construed and enforced in accordance with the laws of the State of Montana. Venue for any suit between the parties arising out of this Agreement shall be the State of Montana Thirteenth Judicial District Court, Yellowstone County.

Regardless of FOB point, contractor agrees to bear all risks of loss, injury, or destruction of goods and materials ordered herein and such loss, injury, or destruction shall not release contractor from any obligation hereunder.

All materials submitted in response to this IFB become public records under Article II, Section 9 of the Montana Constitution and §§ 2-6-102 and 7-1-4144, MCA and may be distributed by written request pursuant to Montana's Constitutional Right to Know or Public Records Acts.

Information provided in response to this IFB will be held in confidence and will not be revealed or discussed with competitors prior to award of Contract by Council. However, one copy of each bid submitted shall be retained for the official files of the Department and will become public record after award of the Contract.

Records and materials that are constitutionally protected from disclosure are not subject to the provisions of this section.



**F. Intent to Respond Form**

Email the following Intent to Respond form to within four (4) days of the Bid Opening date of Tuesday, September 5, 2023, even if your company chooses NOT to participate.

To: City of Billings – PRPL Department – Cemetery Division  
Attn: Brandon Schmidt, Cemetery Supervisor  
Phone: 406-657-8299  
Email: [schmidt@billingsmt.gov](mailto:schmidt@billingsmt.gov)

From:     Matt Redden     Contact Name  
    Tri-State     Company Name  
    5250 Midland Rd     Company Address  
    Billings, MT 59103      
    matt@TSTATE.COM     Email Address  
    406-698-3866     Phone Number  
    406-238-1501     Fax Number

Please indicate whether or not you intend to submit a bid on: MINI-EXCAVATOR by checking Yes or No.

We intend to respond by the specified due date:

Yes  No

    Tri-State      
Company Name

    9/5/2023      
Date

    Matt Redden      
Contact Name (please print)

    Sales Representative      
Title

    *[Signature]*      
Signature of Contact Position

**By signing the above, I certify that I am authorized by the Company named above to respond to this request.**



## **G. Questions**

Questions regarding this Invitation for Bids must be sent to the contact person listed in Section B no later than 5 business days prior to due date. The City will make every effort to provide a written response within 2 business days. Whenever responses to inquiries would constitute a modification or addition to the original IFB, the reply will be made in the form of an addendum to the IFB, a copy of which will be posted on the City's website and forwarded to all Suppliers who have submitted an "Intent to Respond" form (Section F).

Supplier must submit their questions via email using the "Master Q & A" form found below (Attachment A), and provide, at a minimum, the following:

- Supplier's name, requester, and appropriate contact information.
- The question, clearly stated.
- Specific reference to the applicable IFB section(s).

## **H. Protests**

Any Bidder protest of award recommendations and/or bid specifications must be filed with the Purchasing Agent within seven (7) days of bid opening.

Upon receiving a written protest, the Purchasing Agent, with assistance from the Legal Department, determines if the protest has sufficient merit and if so, schedules an informal hearing with the protesting bidder and the user Department.

At this hearing, all parties discuss the basis of the protest and attempt to resolve the dispute based on fact. If the protesting party is not in agreement with the results of the informal hearing, they may appeal to the City Administrator.



**ATTACHMENT A**

**MASTER Q & A FORM**

**IFB: MINI-EXCAVATOR**

<b>Master Q&amp;A</b>	Any questions regarding this IFB should be submitted according to the process outlined below. The City will make every effort to answer within two (2) days of receiving the questions.
<b>Q&amp;A Process</b>	<ol style="list-style-type: none"> <li>1. Prepare questions or concerns on the template provided.</li> <li>2. Complete the table in full, providing a date for each question and a section of the IFB to reference (if applicable).</li> <li>3. Submit the completed form via email to <a href="mailto:schmidtb@billingsmt.gov">schmidtb@billingsmt.gov</a>. Attach associated documents as necessary.</li> </ol> <p>Please contact Brandon Schmidt with any questions regarding this process.</p>

**Questions from:** \_\_\_\_\_ **Company:** \_\_\_\_\_

**Email Address:** \_\_\_\_\_

#	Date	Reference Section	Question or Comment	City Response
1				
2				
3				
4				

# Document A310<sup>TM</sup> – 2010

Conforms with The American Institute of Architects AIA Document 310

## Bid Bond

### CONTRACTOR:

(Name, legal status and address)

Tri State Truck & Equipment  
5220 Midland Road  
Billings, MT 59103

### OWNER:

(Name, legal status and address)

City of Billings  
PO Box 1178  
Billings, MT 59103

### SURETY:

(Name, legal status and principal place of business)

Hartford Fire Insurance Company  
One Hartford Plaza  
Hartford, CT 06155-0001  
**Mailing Address for Notices**  
One Hartford Plaza  
Hartford, CT 06155

This document has important legal consequences. Consultation with an attorney is encouraged with respect to its completion or modification.

Any singular reference to Contractor, Surety, Owner or other party shall be considered plural where applicable.

**BOND AMOUNT:** 10%

Ten Percent of Amount Bid

### PROJECT:

(Name, location or address, and Project number, if any)

2023 Volvo ECR88D


The Contractor and Surety are bound to the Owner in the amount set forth above, for the payment of which the Contractor and Surety bind themselves, their heirs, executors, administrators, successors and assigns, jointly and severally, as provided herein. The conditions of this Bond are such that if the Owner accepts the bid of the Contractor within the time specified in the bid documents, or within such time period as may be agreed to by the Owner and Contractor, and the Contractor either (1) enters into a contract with the Owner in accordance with the terms of such bid, and gives such bond or bonds as may be specified in the bidding or Contract Documents, with a surety admitted in the jurisdiction of the Project and otherwise acceptable to the Owner, for the faithful performance of such Contract and for the prompt payment of labor and material furnished in the prosecution thereof; or (2) pays to the Owner the difference, not to exceed the amount of this Bond, between the amount specified in said bid and such larger amount for which the Owner may in good faith contract with another party to perform the work covered by said bid, then this obligation shall be null and void, otherwise to remain in full force and effect. The Surety hereby waives any notice of an agreement between the Owner and Contractor to extend the time in which the Owner may accept the bid. Waiver of notice by the Surety shall not apply to any extension exceeding sixty (60) days in the aggregate beyond the time for acceptance of bids specified in the bid documents, and the Owner and Contractor shall obtain the Surety's consent for an extension beyond sixty (60) days.

If this Bond is issued in connection with a subcontractor's bid to a Contractor, the term Contractor in this Bond shall be deemed to be Subcontractor and the term Owner shall be deemed to be Contractor.

When this Bond has been furnished to comply with a statutory or other legal requirement in the location of the Project, any provision in this Bond conflicting with said statutory or legal requirement shall be deemed deleted herefrom and provisions conforming to such statutory or other legal requirement shall be deemed incorporated herein. When so furnished, the intent is that this Bond shall be construed as a statutory bond and not as a common law bond.

Signed and sealed this 1st day of September, 2023.

  
(Witness)

  
(Witness) Travis Davis

Tri State Truck & Equipment  
(Principal) \_\_\_\_\_ (Seal)

By:   
(Title) President

Hartford Fire Insurance Company  
(Surety) \_\_\_\_\_ (Seal)

By:   
(Title) Brandi Davis, Attorney-in-Fact

# POWER OF ATTORNEY

Direct Inquiries/Claims to:

**THE HARTFORD**  
BOND, T-11  
One Hartford Plaza  
Hartford, Connecticut 06155  
[Bond.Claims@thehartford.com](mailto:Bond.Claims@thehartford.com)

call: 888-266-3488 or fax: 860-757-5835

KNOW ALL PERSONS BY THESE PRESENTS THAT:

Agency Name: MARSH & MCLENNAN AGENCY LLC  
Agency Code: 52-805342

- Hartford Fire Insurance Company, a corporation duly organized under the laws of the State of Connecticut
- Hartford Casualty Insurance Company, a corporation duly organized under the laws of the State of Indiana
- Hartford Accident and Indemnity Company, a corporation duly organized under the laws of the State of Connecticut
- Hartford Underwriters Insurance Company, a corporation duly organized under the laws of the State of Connecticut
- Twin City Fire Insurance Company, a corporation duly organized under the laws of the State of Indiana
- Hartford Insurance Company of Illinois, a corporation duly organized under the laws of the State of Illinois
- Hartford Insurance Company of the Midwest, a corporation duly organized under the laws of the State of Indiana
- Hartford Insurance Company of the Southeast, a corporation duly organized under the laws of the State of Florida

having their home office in Hartford, Connecticut, (hereinafter collectively referred to as the "Companies") do hereby make, constitute and appoint, **up to the amount of Unlimited :**

Naomi Gerber of Billings MT, Ryan Elliott, Carly Schneidenbach of Bozeman MT, Levi T. Downey, Thomas J. Downey, John McGree, Polly Smith of Butte MT, Colleen Elmquist, Kyle Hager, Sherrie Paulson, Cara Piccono of Great Falls MT, Colleen M. Sullivan of Helena MT, Donna Kramer, Audrey Olson, Cathy Vail of Kalispell MT, Brandi N. Davis, Micah Deckart, Heather A. Freeman, Cynthia L. Heiney, Pamela A. Nelson, AiLi Palmer, Melissa Wolf of Missoula MT, Kelly Tenold, Fred Thomas of Stevensville MT, Victoria Crist, Thomas V.A. Davis, Thomas Denison, Jonathan M. Emmons, Allan Hultgren, Jaclyn R. Kruse, Patrick S. McCutcheon, Rhela Moulding, Jon M. Riche of SPOKANE, Washington

their true and lawful Attorney(s)-in-Fact, each in their separate capacity if more than one is named above, to sign its name as surety(ies) only as delineated above by , and to execute, seal and acknowledge any and all bonds, undertakings, contracts and other written instruments in the nature thereof, on behalf of the Companies in their business of guaranteeing the fidelity of persons, guaranteeing the performance of contracts and executing or guaranteeing bonds and undertakings required or permitted in any actions or proceedings allowed by law.

**In Witness Whereof**, and as authorized by a Resolution of the Board of Directors of the Companies on May 23, 2016 the Companies have caused these presents to be signed by its Assistant Vice President and its corporate seals to be hereto affixed, duly attested by its Assistant Secretary. Further, pursuant to Resolution of the Board of Directors of the Companies, the Companies hereby unambiguously affirm that they are and will be bound by any mechanically applied signatures applied to this Power of Attorney.



*Shelby Wiggins*

Shelby Wiggins, Assistant Secretary

*Joelle L. LaPierre*

Joelle L. LaPierre, Assistant Vice President

STATE OF FLORIDA

COUNTY OF SEMINOLE

ss. Lake Mary

On this 20th day of May, 2021, before me personally came Joelle LaPierre, to me known, who being by me duly sworn, did depose and say: that (s)he resides in Seminole County, State of Florida; that (s)he is the Assistant Vice President of the Companies, the corporations described in and which executed the above instrument; that (s)he knows the seals of the said corporations; that the seals affixed to the said instrument are such corporate seals; that they were so affixed by authority of the Boards of Directors of said corporations and that (s)he signed his/her name thereto by like authority.



*Jessica Ciccone*

Jessica Ciccone  
My Commission HH 122280  
Expires June 20, 2025

I, the undersigned, Assistant Vice President of the Companies, DO HEREBY CERTIFY that the above and foregoing is a true and correct copy of the Power of Attorney executed by said Companies, which is still in full force effective as of July 20, 2023.

Signed and sealed in Lake Mary, Florida.



*Keith D. Dozois*

Keith D. Dozois, Assistant Vice President



**2023 Volvo ECR88D Hydraulic Excavator**  
**S/N: 219116**  
**Hours: New**

- Volvo D2.6H @ 58 HP Engine
- 18" Rubber Track Pads
- 140" Boom, 67" Arm
- Aux. Hydraulics
- Rear and Front Work Lights, Rearview Mirror
- Dozer Blade w/ Float
- ROPS Cab With Heater/AC and Radio/MP3/AUX.
- Fabric Seat With 3" Seat Belt
- Pilot Controls, Travel Alarm, Heavy Counter Weight
- Volvo Hydraulic Attachment Bracket
- Hydraulic Thumb
- Active Care Direct

**Lifetime Frame Warranty**

**Weight: 19,910 Lbs.**

**2H3**



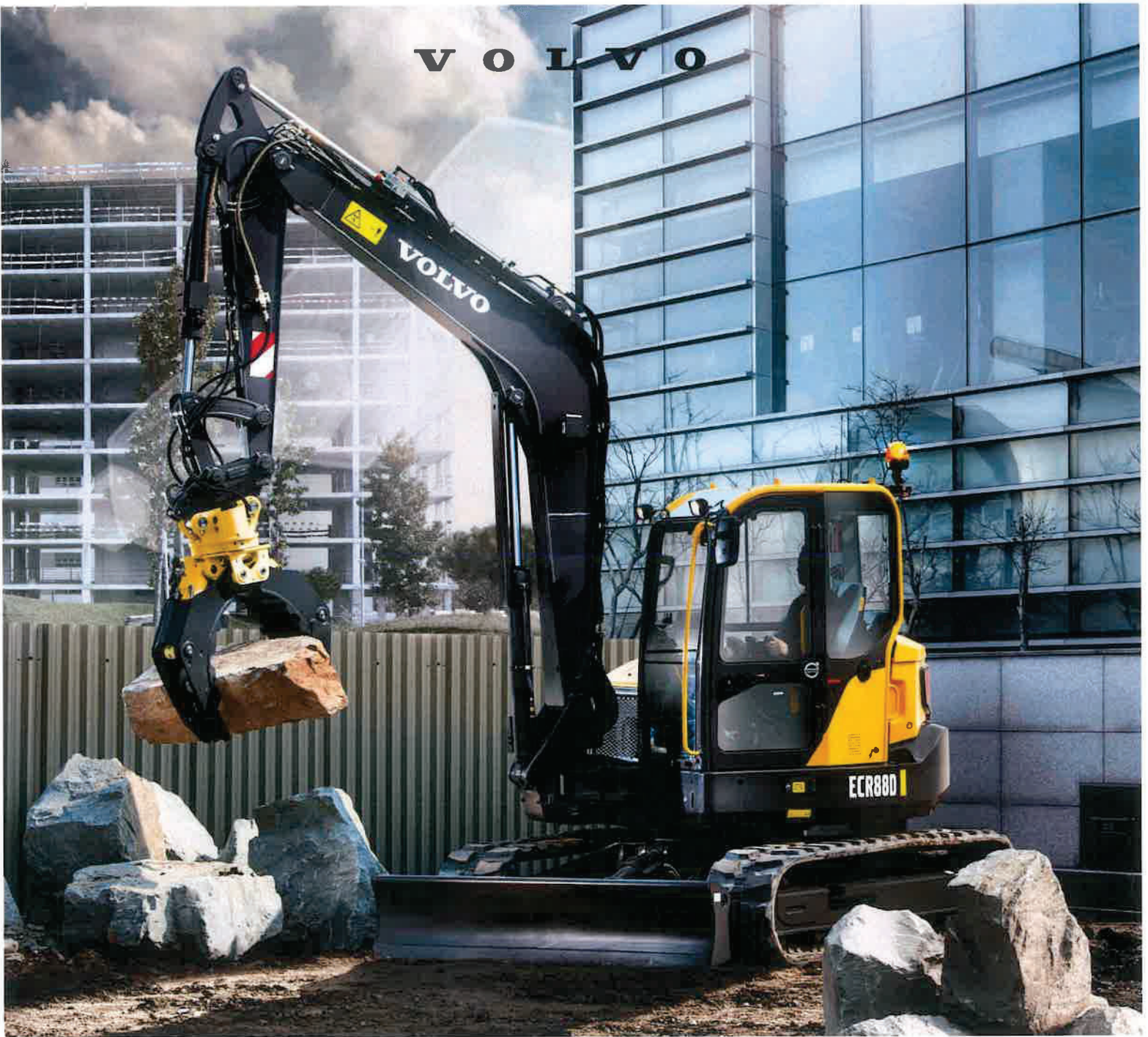
5250 Midland Rd.  
P.O. Box 1298  
Billings, MT 59103

**MATT REDDEN**  
Sales Representative

(406) 245-3188  
Cell: (406) 698.3866

Email: [matt@tste.com](mailto:matt@tste.com)  
[www.tste.com](http://www.tste.com)

V O L V O



Volvo Excavators 8.6-10.0 t / 19,010-22,050 lb 58 hp

# ECR88D

Volvo Construction Equipment



# Welcome to our world

Welcome to a world of industry leading machinery. A world where imagination, hard work and technological innovation will lead the way towards developing a future which is cleaner, smarter, and more connected. A world supported by the enduring values of the Volvo Group. A world of stability, sustainability and innovation. A world which we put our customers at the heart of.

Welcome to the world of Volvo Construction Equipment – we think you're going to like it here.

## Small machines, big results

With decades of experience in the design and manufacture of compact excavators and wheel loaders, our range of compact machinery is designed with customer success in mind. Built from the same DNA as large Volvo machinery, our compact range sets the standard for efficiency performance and uptime – complemented by an extensive range of Volvo attachments for maximum versatility.

Building on our proud history, the Volvo Concept Lab continues to create cutting-edge ideas and innovative concepts – such as our award-winning electric compact machines – to ensure we offer our customers machines which deliver big results long into the future.



## Solutions for you

Our industry leading machines are just the start of your relationship with Volvo. As your partner, we have developed an extensive range of additional solutions to help you improve uptime, boost productivity and reduce costs.

### Designed for your business

Structured across nine blocks, our portfolio of products and services are designed to complement your machine's performance and boost your profitability. Simply put, we offer some of the best guarantees, warranties and technological solutions in the industry today.

### There when you need us

Whether you're buying new or used, our global network of dealers and technicians offer around-the-clock support, including machine monitoring and world-class parts availability. It's the basis of everything offered by Volvo Services, so you can be confident we've got you covered right from the start.



# BUILDING TOMORROW

# Powered to perform

Volvo proudly introduces the new ECR88D compact short swing radius excavator. Featuring a powerful Volvo engine and perfectly matched hydraulic system, this machine delivers high performance, excellent control and low fuel consumption. Sustain optimum power and productivity with Volvo.

## Volvo engine

Volvo's premium Tier 4f / Stage V engine delivers superior performance and low fuel consumption. The engine features an Exhaust After Treatment System (EATS) to lower emissions and a regeneration process that does not interrupt operation, performance or productivity.



## Slew and boom offset

Slew and boom offset movements are controlled simultaneously for easy and fast positioning of the machine. Joystick control enables precise, smooth and effortless command of the slew and boom offset.



## Tractive force

High system pressure delivers impressive tractive force when climbing gradients or traveling over rough terrain. For improved performance, the ECR88D boasts a 16% improvement in tractive force compared to the previous model.





# ENHANCED HYDRAULICS

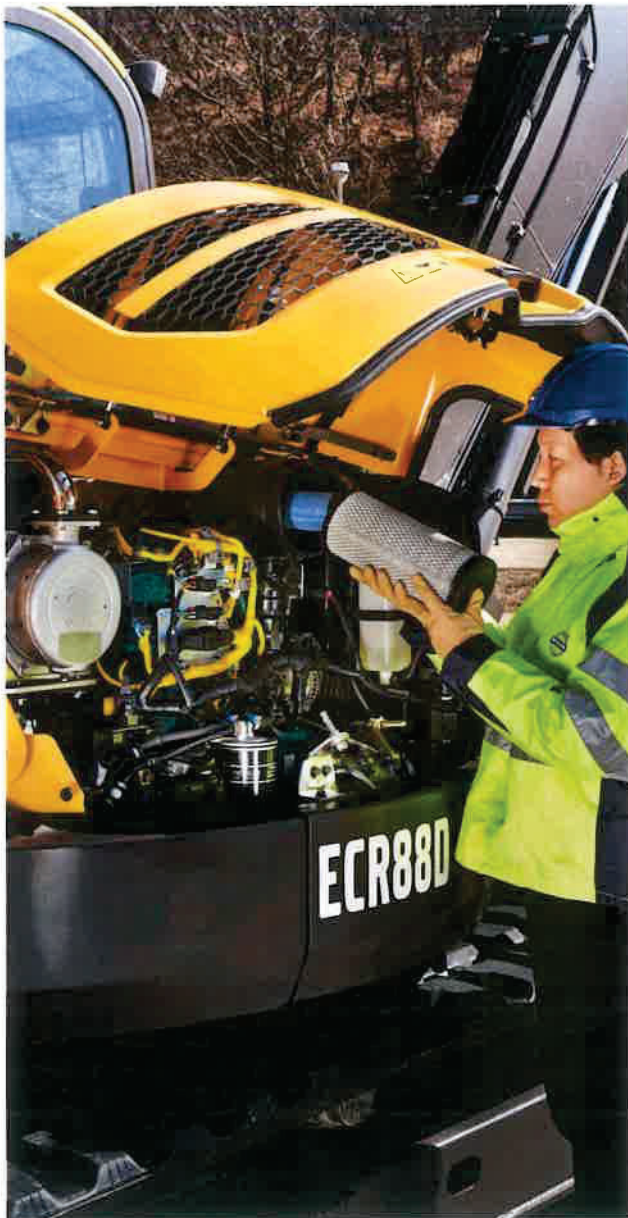
Volvo's state-of-the-art hydraulic system is perfectly matched to the Volvo engine and components – delivering high performance and improved fuel efficiency. The hydraulic system has been designed for fast response and smooth operation.

# Stability you can count on

Whether you're working in the road construction, utilities, landscaping or any other application, the ECR88D will give you access to more jobsites, where you can work closer to obstacles, safely. With a heavy counterweight and strong undercarriage, this machine delivers superior stability. And with easy service access you'll enjoy maintenance made easy with Volvo.

## Service access

For safe and easy access, all service check points are located under the wide-opening engine hood and are accessed from ground level. Grouped filters ensure regular maintenance is straightforward and uptime is maximized.



## Single pivot pin

Volvo uses a single pivot design that achieves maximum support between main frame and front equipment. This concept increases stability, durability and lifetime of the components.



## MATRIS and VCADS Pro

For increased uptime, Volvo's high-tech, computer-based MATRIS tool allows you to monitor machine usage and analyze machine operation. VCADS Pro analysis and programming software provides fast diagnostics.





# STABILITY

Design improvements including a counterweight have shifted the center of gravity towards the rear of the machine. Together with a strong undercarriage, this delivers superior stability while lifting bigger loads.

# Visibly better

At Volvo we know that when operators are comfortable they experience less fatigue and work more productively. That's why the premium, Volvo designed cab provides superior visibility, a safe and spacious working environment and easy to access controls. Step inside and see the results for yourself.

## Climate control

Control your climate with Volvo's powerful, industry-leading climate control system. With seven well-spaced vents quickly heating or cooling the cab, this air circulation and defrosting system increases comfort and productivity.



## Ease of control

Control your machine with minimal effort in order to get more done in less time. The keypad groups all controls on the right hand side and the 7" color LCD screen displays all machine information for access to functions through its easy to use menus. Through the hot keys, the operator can directly access pre-set functions for added convenience.



## Proportional joysticks

Via the joystick controls, the operator can easily adjust the direction and amount of hydraulic flow sent to the attachment. Benefit from the correct speed and power for optimal attachment operation.



## Storage

The Volvo cab features ample storage locations for personal belongings including an additional glove-box, side pocket, phone storage, cup holder and a pocket behind the seat.





# VOLVO CAB

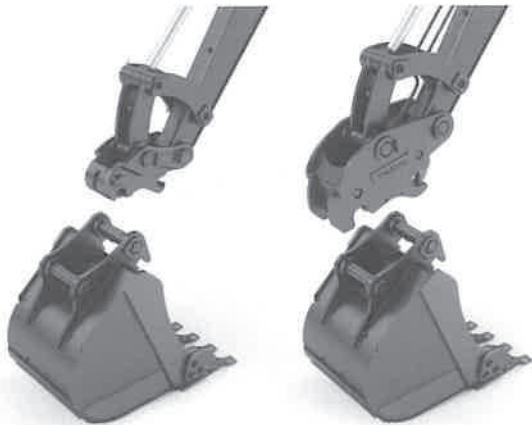
All-around visibility from slim cab pillars and large expanses of glass is at the center of Volvo's cab design. The ROPS certified cab features vibration and noise isolation, ergonomic controls and an adjustable seat for increased comfort, reduced fatigue and increased productivity.

# One machine, many job sites

Volvo offers a wide range of durable attachments that are suitable for any job site, including utilities, building, agriculture, landscaping and forestry. Volvo attachments are an integrated part of the excavator for which they're intended – delivering maximum productivity and versatility.

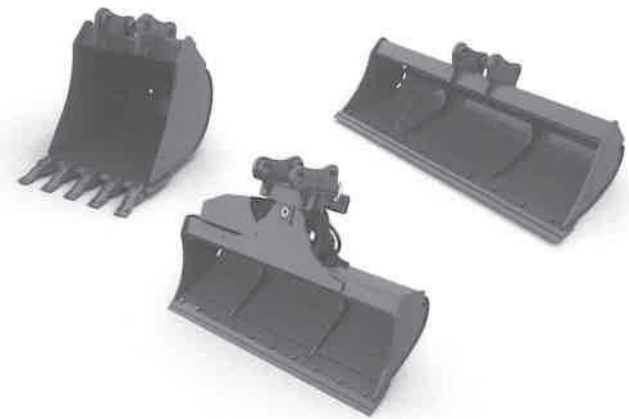
## Quick coupler

Both the mechanical and the hydraulic quick couplers allow a complete range of buckets to be changed quickly and efficiently.



## Buckets

A complete range of buckets from general purpose reinforced buckets to ditching buckets, allow the ECR88D to work on many job sites for a wide range of applications. The durable buckets are built to work in loose gravel, crushed rock, dirt and soil.



## Thumb

Designed to work with both Volvo direct fit buckets and Volvo quick coupler, the Volvo thumb makes handling material easy for tasks including piling, placing, loading, lifting and carrying.



## Steelwrist tiltrotator

A Volvo compact excavator together with a Steelwrist® tiltrotator delivers the ultimate combination of high productivity, safety, precision and control. Steelwrist tiltrotators provide a superior tilt angle and the compact design with low build height results in improved digging performance and higher fuel efficiency. Get more done with your machine, without changing attachment or machine position.





# ATTACHMENTS VERSATILITY

The machine's attachment can be easily changed to save time and costs. Its design, hydraulics, piping and in-cab controls combined with Volvo's attachments range allows the ECR88D to take on a variety of tasks. Volvo attachments work in harmony with the machine to deliver maximum productivity.

# Built to get the job done

## Enhanced hydraulics

The hydraulic system is perfectly matched to the engine and components for fast response and smooth operation.

## Stability

A heavy counterweight and a strong undercarriage deliver superior stability and the ability to lift bigger loads.

## Service access

All service check points are accessed from ground level. Grouped filters make regular maintenance easy.

## Single pivot pin

Volvo uses a single pivot design that achieves maximum support between main frame and front equipment. This concept increases stability, durability and lifetime of the components.

## Optional hydraulics

For increased versatility, auxiliary hydraulic systems are available to enable the operation of a wide range of attachments.

## MATRIS and VCADS Pro

The MATRIS tool monitors machine usage and operation. VCADS Pro analysis and programming software provides fast diagnostics.

## ECO mode

The ECO mode provides optimal working performance together with fuel saving.



## Optional dozer floating

The optional dozer blade float function 'floats' the dozer blade over the ground for improved leveling control and fuel efficiency.

## Undercarriage

Durable and strong X-shape undercarriage ensures superior stability and increases machine lifetime.

## Auto engine shutdown

The auto engine shutdown provides lower fuel costs, less noise, much lower maintenance costs and a greater resale value.

## Auto idle

Engine speed is reduced to idle when the controls are inactive for more than five seconds or the left-hand console is raised – reducing fuel consumption and noise.

## Volvo engine

Tier 4f compliant Volvo Engine delivers superior performance with low fuel consumption.

## Volvo Cab

Volvo's purpose designed cab offers excellent allround visibility, enhanced by the slim cab pillars and large windows.

