

BILLION DODGE-CHRYSLER JEEP  
 355 AUTOMOTIVE AVE  
 BOZEMAN, MT 597187508

Configuration Preview

*Sequence 7*

Date Printed: 2024-08-05 11:25 AM  
 Estimated Ship Date: VON:

Quantity: 1  
 Status: BA - Pending order  
 FAN 1: 00CJK City of Billings  
 FAN 2:  
 Client Code:  
 Bid Number: TB4075  
 PO Number:

Sold to: BILLION DODGE-CHRYSLER JEEP (68141)  
 355 AUTOMOTIVE AVE  
 BOZEMAN, MT 597187508

Ship to: BILLION DODGE-CHRYSLER JEEP (68141)  
 355 AUTOMOTIVE AVE  
 BOZEMAN, MT 597187508

Vehicle: 2024 3500 TRADESMAN REG CAB 4X4 (140 in WB 8 ft 0 in Box) (D28L62)

	Sales Code	Description	MSRP(USD)
Model:	D28L62	3500 TRADESMAN REG CAB 4X4 (140 in WB 8 ft 0 in Box)	50,925
Package:	2GA	Customer Preferred Package 2GA	0
	ESB	6.4L V8 Heavy Duty HEMI MDS Engine	0
	DFX	8-Spd Auto 8HP75-LCV Transmission	0
Paint/Seat/Trim:	PW7	Bright White Clear Coat	0
	APA	Monotone Paint	0
	*V9	Cloth 40/20/40 Bench Seat	125
	-X9	Black	0
Options:	XHC	Trailer Brake Control	395
	XBC	Delete Pickup Box	-400
	TBE	Add Full Size Spare (if Box Delete)	295
	NHK	Engine Block Heater	95
	4DH	Prepaid Holdback	0
	MDA	Front License Plate Bracket	0
	4ES	Delivery Allowance Credit	0
	LHL	Auxiliary Switches - I/P Mounted	155
	MAF	Fleet Purchase Incentive	0
	CLY	Mopar Front Rubber Floor Mats	125
	ADB	Protection Group	145
	TCP	LT275/70R18E OWI On/Off Road Tires	295
	A61	Tradesman Level 1 Equipment Group	1,880
	DK3	Elec Shift-On-The-Fly Transfer Case	295
	YEP	Manuf Statement of Origin	0
	5N6	Easy Order	0
	4FM	Fleet Option Editor	0
4FT	Fleet Sales Order	0	
174	Zone 74-Denver	0	
4EA	Sold Vehicle	0	
Non Equipment:	4FA	Special Bid-Ineligible For Incentive	0
Bid Number:	TB4075	Government Incentives	0
Discounts:	YG2	5.2 Additional Gallons of Gas	0
Destination Fees:			1,995

Total Price: 56,325.

Order Type: Fleet  
 Scheduling Priority: 1-Sold Order  
 PSP Month/Week:  
 Build Priority: 99

*48,008*

Note: This is not an invoice. The prices and equipment shown on this priced order confirmation are tentative and subject to change or correction without prior notice. No claims against the content listed or prices quoted will be accepted. Refer to the vehicle invoice for final vehicle content and pricing. Orders are accepted only when the vehicle is shipped by the factory.

**Schedule 7:**

**Public Works Streets - "1101"**

**One new current 2025 model "1" ton 4-wheel drive regular cab long "8" box**

Description	Minimum Requirements	Specification Bid
Engine	6.0 liter, 8 cylinder gasoline	6.4 L
GVWR	11,000 LBS	✓
Cab	Regular cab "2 door"	✓
Chassis	Standard, rear wheel drive 60" cab to axle	Box Off - 56.8" CA
Drive type	4-wheel drive	✓
Box length	8 foot box	✓ Box off
Transmission	Heavy duty, 6 speed automatic w/cooler	8 SPEED
Brakes	Heavy duty 4-wheel ABS disk brakes	✓
Alternator	155 Amperes	170 AMP
Battery	Heavy duty, 650 CCA	730 AMP
Cooling	Heavy duty radiator w/40 Degree Anti-Freeze	✓
Differential	Limited Slip/Traction Control/Stability Control	ANTI-SPIN
Fuel tanks	30+ gallon min w/skid plates	32 Gallon
Mirrors	Left and right electronic adjusted	✓
Tires/wheels	Five, 10-ply all terrain radials w/spare	✓
Floor covering	Heavy duty rubber floor covering w/mats	✓
Shock absorbers	Heavy duty front and rear	✓
Mud flaps	Heavy duty front and rear	DEALER ADD - FRONT ONLY
Color	White	✓
Other features	<ul style="list-style-type: none"> <li>• 40/20/40 seat with fold down console</li> <li>• Covered with heavy duty cloth</li> <li>• Tinted windshield</li> <li>• Electric power windows and locks</li> <li>• Intermittent window wipers/washers</li> <li>• Air Conditioning</li> <li>• Standard AM-FM Radio</li> <li>• Tow package with hitch</li> </ul>	<ul style="list-style-type: none"> <li>✓</li> <li>✓</li> <li>✓</li> <li>✓</li> <li>✓</li> <li>✓</li> <li>✓</li> <li>✓</li> </ul>

	<ul style="list-style-type: none"> <li>• Factory trailer brake controller</li> <li>• USB Charge port</li> <li>• Direct read gauges for oil, water and alternator</li> <li>• Cold climate package/block heater</li> <li>• 4 up fitter switched located in instrument panel</li> <li>• Rear vision camera</li> </ul>	<ul style="list-style-type: none"> <li>✓</li> <li>✓</li> <li>✓</li> <li>✓</li> <li>✓</li> <li>✓</li> </ul>
--	--	--

**Schedule 8: Animal Control - “1010” and “1011”**

**Two new current 2025 models ¾ ton 4 wheel drive extended cab long 8’ box**

Description	Minimum Requirements	Specification Bid
Engine	6.0 liter, 8 cylinder gasoline	
GVWR	9,900 LBS	
Cab	Extended cab	
Chassis	Standard, rear wheel drive	
Drive type	4-wheel drive	
Box length	8 foot fleet side	
Transmission	Heavy duty, 6 speed automatic w/cooler	
Brakes	Heavy duty 4-wheel ABS disk brakes	
Alternator	155 Amperes	
Battery	Heavy duty, 650 CCA	
Cooling	Heavy duty radiator w/40 Degree Anti-Freeze	
Differential	Limited Slip/Traction Control/Stability Control	
Fuel tanks	30+ gallon min w/skid plates	
Mirrors	Left and right electronic adjusted	
Tires/wheels	Five, 10-ply all terrain radials	
Floor covering	Heavy duty rubber floor covering w/mats	
Shock absorbers	Heavy duty front and rear	
Mud flaps	Heavy duty front and rear	
Color	To be selected by City	



**RAM 3500 - 4X4 - REGULAR CAB - ST - 8' BOX OFF**

Engine	Trans.	Axle Ratio	GVWR	Payload	Base Weight			GAWR		VECI Label		Max Upfit Weight	GCWR	Max Trailer
					Total	Front	Rear	Front	Rear	MCVW	Frontal Area			
6.4L V8 HEMI MDS	8 SPD AUTO 8HP75	3.73	11000	5120	5883	3759	2123	5500	7000	8500	58	2617	22000	14990
6.4L V8 HEMI MDS	8 SPD AUTO 8HP75	4.10	11000	5120	5883	3759	2123	5500	7000	8500	58	2617	24200	17190

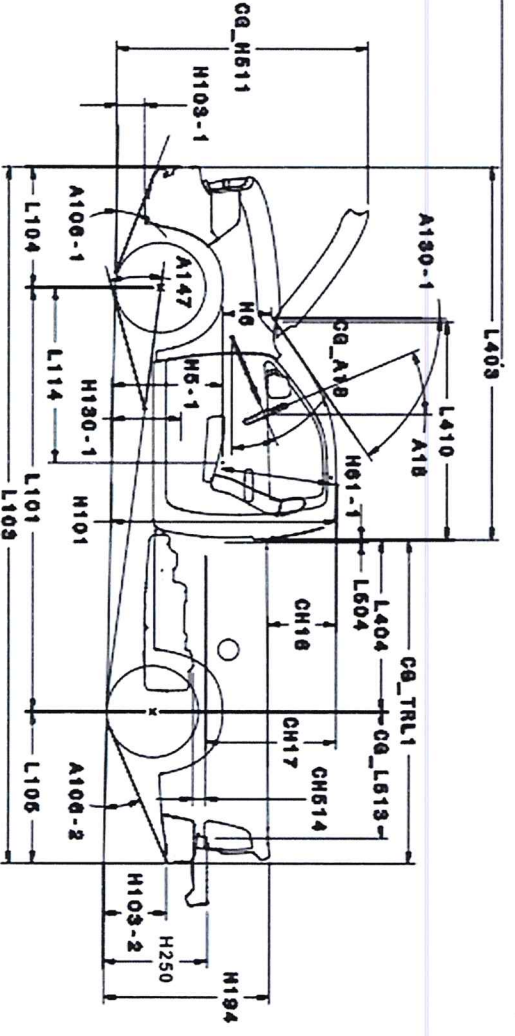
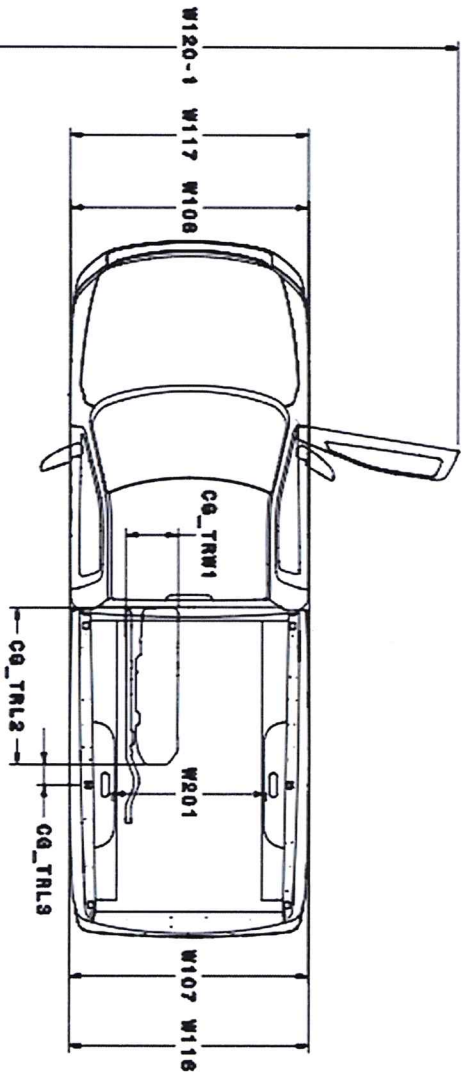
**RAM 3500 - 4X4 - CREW CAB - ST - 6'4" BOX OFF**

Engine	Trans.	Axle Ratio	GVWR	Payload	Base Weight			GAWR		VECI Label		Max Upfit Weight	GCWR	Max Trailer
					Total	Front	Rear	Front	Rear	MCVW	Frontal Area			
6.4L V8 HEMI MDS	8 SPD AUTO 8HP75	3.73	11000	4710	6288	3932	2356	5500	7000	8500	58	2212	22000	14670
6.4L V8 HEMI MDS	8 SPD AUTO 8HP75	4.10	11000	4710	6288	3932	2356	5500	7000	8500	58	2212	24200	16870

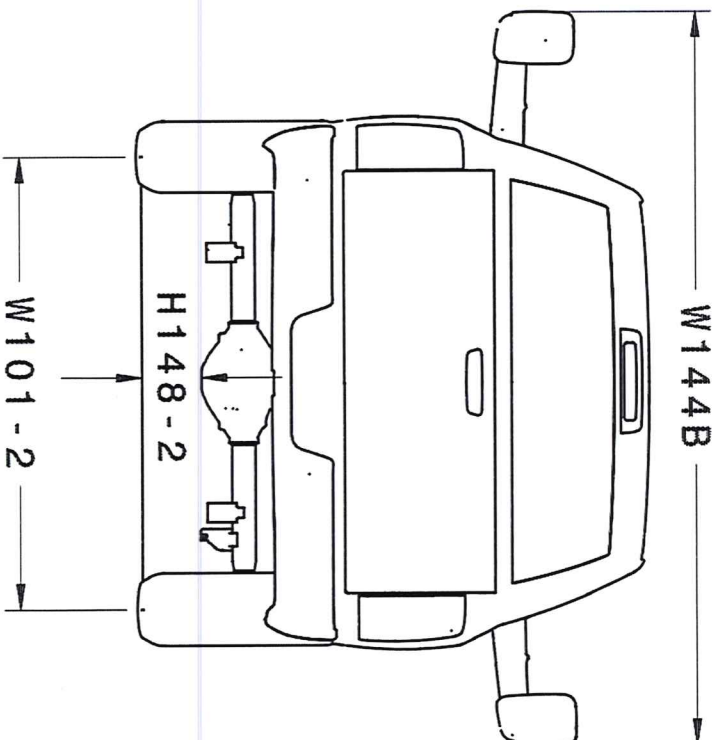
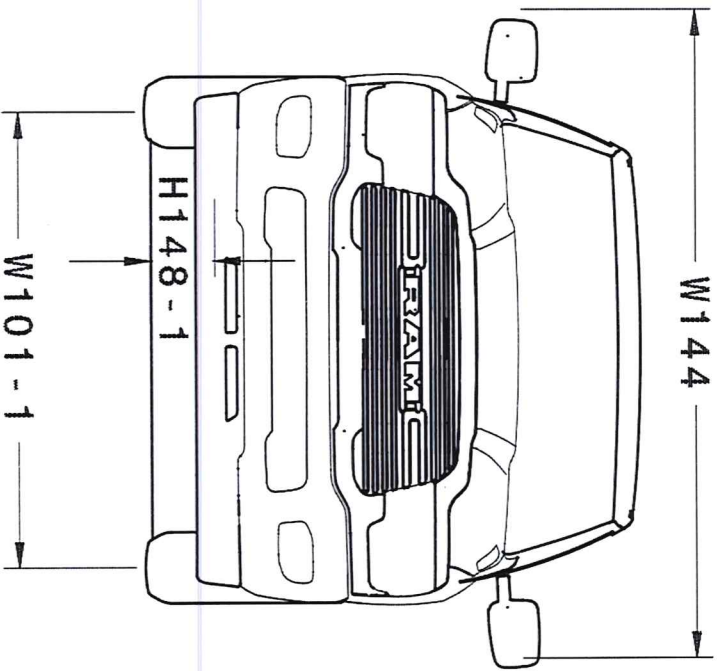
**RAM 3500 - 4X4 - CREW CAB - ST - 8' BOX OFF**

Engine	Trans.	Axle Ratio	GVWR	Payload	Base Weight			GAWR		VECI Label		Max Upfit Weight	GCWR	Max Trailer
					Total	Front	Rear	Front	Rear	MCVW	Frontal Area			
6.4L V8 HEMI MDS	8 SPD AUTO 8HP75	3.73	11400	4980	6421	4082	2338	5500	7000	8500	58	2079	22000	14470
6.4L V8 HEMI MDS	8 SPD AUTO 8HP75	4.10	11400	4980	6421	4082	2338	5500	7000	8500	58	2079	24200	16670

**2024 Ram 3500 (D2) Box Off Weight and Tow Chart**



Views & Charts 3500 Pickup Regular Cab, 8' Box, SRW



Views & Charts 3500 PickupRegular Cab, 8' Box, SRW

Code	Description	275/70R18	
		Metric	English
A106-1	Angle of Approach	23.2 deg	23.2 deg
A106-2	Angle of Departure	25.2 deg	25.2 deg
A147	Ramp Breakover Angle	22.9 deg	22.9 deg
CG_H511	Bottom of Open Hood to Ground	2215.9 mm	87.2 in
CG_L513	Rear Axle to Inside Box at Rear	1077.2 mm	42.4 in
CG_TRL3	Rear Wheel Center Line to Fuel Tank	189.2 mm	7.4 in
CG_TT18	Turn Circle Diameter (feet/meters)*	13.9 m	45.5 ft
H5-1	SGRP to Ground - Front	1057.8 mm	41.6 in
H101	Vehicle Height(curbload)	2042.0 mm	80.4 in
H103-1	Fascia(Bumper) to Ground - Front	280.2 mm	11.0 in
H103-2	Fascia(Bumper) to Ground - Rear	559.0 mm	22.0 in
H108-1	Static Load Radius - Front Tire *	399.0 mm	15.7 in
H108-2	Static Load Radius - Rear Tire *	410.1 mm	16.1 in
H130-1	Step Height - Front	702.7 mm	27.7 in
H148-1	Suspension or Axel to Ground - Front	237.0 mm	9.3 in
H148-2	Suspension or Axel to Ground - Rear	222.0 mm	8.7 in
H194	Closed Endgate Height	1524.0 mm	60.0 in
H250	Open Tailgate to Ground	1013.0 mm	39.9 in
L101	Wheelbase	3560.0 mm	140.2 in
L104	Overhang - Front	1031.4 mm	40.6 in
L105	Overhang - Rear	1293.2 mm	50.9 in
L114	Front Wheel CenterLine toSGRP - Front	1471.6 mm	57.9 in
L404	Cab to Rear Axle (CA)	1443.4 mm	56.8 in
W101-1	Tread Width - Front Tires	1719.0 mm	67.7 in
W101-2	Tread Width - Rear Tires	1703.6 mm	67.1 in

Views & Charts 3500 PickupRegular Cab, 8' Box, SRW

Code	Description	Metric	English
CG_TRL1	Rear Bumper to Back of Cab	2736.4 mm	107.7 in
CG_TRL2	Fuel Tank Length	1647.3 mm	64.9 in
L103	Vehicle Length	5892.0 mm	232.0 in
L403	Front Bumper to Back of Cab (BBC)	3153.8 mm	124.2 in
L410	Cab Length	1838.4 mm	72.4 in
L504	Cab to Pickup Body	21.0 mm	0.8 in

Code	Description	Metric	English
A130-1	Glazing Angle - Windscreen	56.4 deg	56.4 deg
A18	Steering Wheel Angle	22.9 deg	22.9 deg
CH16	Top of Box to Cab Roof	593.3 mm	23.4 in
CH17	Box Floor to Cab Roof	1096.0 mm	43.1 in
CG_A18	Steering Column Angle	23.4 deg	23.4 deg
CH514	Box Floor to Top of Fuel Tank	92.8 mm	3.7 in
H6	Sgrp - Front to Windshield Lower DLO	458.2 mm	18.0 in
H61-1	Effective Head Room - Front	1011.0 mm	39.8 in

Code	Description	Metric	English
CG_TRW1	Outside Rail to Fuel Tank(inside)	438.2 mm	17.3 in
W144	Vehicle Width-Mirrors Included (Std)	2463.3 mm	97.0 in
W144B	Vehicle Width-Mirrors Included (Trailer)	2776.1 mm	109.3 in
W106	Fender Width - Front	2010.2 mm	79.1 in
W107	Fender Width - Rear	2013.1 mm	79.3 in
W116	Body Width-maximum	2017.4 mm	79.4 in
W117	Body Width At Sgrp - Front	2005.1 mm	78.9 in
W120-1	Vehicle Width, Doors Open - Front	4513.7 mm	177.7 in
W201	Cargo Width-Wheelhouse	1295.4 mm	51.0 in

Views & Charts 3500 PickupRegular Cab, 8' Box, SRW

- Height dimensions on page 3 are for 4x4 drive line and steel spring suspension
- Ground and Axle referenced dimensions will be different (smaller/lower) on vehicles with 4x2 and/or air suspension
- To determine heights for other drive line/suspension configurations, subtract the values in the chart below from the applicable height dimensions on page 3

3500 (D2) Height Variations From 4x4		
Suspension Configuration	Front	Rear
4x2 Spring	-51 mm, -2.0 in	-23 mm, -0.9 in
4x4 Air	0	-32 mm, -1.3 in
4x2 Air	-51 mm, -2.0 in	-32 mm, -1.3 in

- Air suspension variants are for the NRH (Normal Ride Height) suspension setting
- For the ATH (Alternate Trailer Height) suspension setting the Rear variant will be 25 mm, 1 inch greater. Add 25 mm or 1 in to the **REAR** variant in the chart above.

Views & Charts 3500 Pickup Regular Cab, 8' Box, SRW

Standard Features - D28L62-3500 TRADESMAN REG CAB 4X4 (140 In WB 8 ft 0 In Box)

Code	Description
ME6	"RAM" Grille Badge
DRQ	11.50" Single Wheel Rear Axle
JCB	120 MPH Primary Speedometer
JJJ	12V Auxiliary Power Outlet
WKN	18" Steel Spare Wheel
BAD	180 Amp Alternator
WBN	18X8.0 Steel Wheels
CDX	2-Way Front Head Restraints
DME	3.73 Axle Ratio
NFX	32 Gallon Fuel Tank
RCD	4 Speakers
SCF	4-Spoke Steering Wheel
CBE	40/20/40 Split Bench Seat
MUS	4X4 Badge
RFU	5.0" Touchscreen Display
NAS	50 State Emissions
DJN	6,000# Front Axle
ESB	6.4L V8 Heavy Duty HEMI MDS Engine
XFK	7 Pin Wiring Harness
BCN	730 Amp Maintenance Free Battery
DFX	8-Spd Auto 8HP75-LCV Transmission
RD3	Accent Color Shark Fin Antenna
MDX	Active Grille Shutters
CG3	Advanced Multistage Front Air Bags
HAA	Air Conditioning
BRT	Anti-Lock 4-Wheel Disc Brakes
DSA	Anti-Spin Differential Rear Axle
RSU	Audio Jack Input for Mobile Devices
LMG	Automatic Headlamps
CTL	Base Door Trim Panel
A6A	Base Equipment Group
CU3	Behind the Seat Storage / Bin
MNA	Black Door Handles
M17	Black Exterior Badging - Trucks
LE4	Black Exterior Mirrors
MB1	Black Front Bumper
MFA	Black Headlamp Bezels
MBN	Black Rear Bumper
CKJ	Black Vinyl Floor Covering
XJ8	Body Color Fuel Filler Door
BGE	Brake Assist
X71	Bumper Module I
X75	Bumper Module II

Standard Features - D28L62-3500 TRADESMAN REG CAB 4X4 (140 in WB 8 ft 0 in Box)

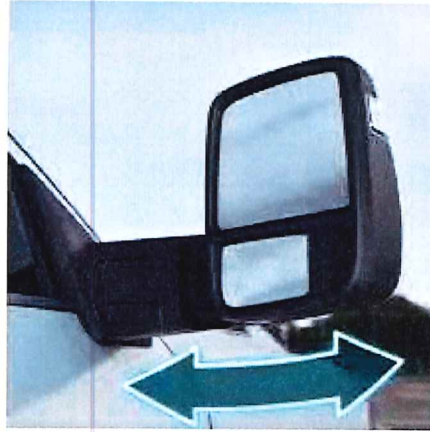
Code	Description
LPE	Cargo and CHMSL Lamp
WMJ	Center Hub
CGU	Child Seat Anchor System-LATCH Ready
XFR	Class V Receiver Hitch
JAK	Cluster 3.5" TFT Color Display
XCT	Coat Hooks
DST	Conventional Differential Ft Axle
HGB	Dash Liner Insulation
LM1	Daytime Running Headlamps, Low Beam
LAN	Decklid/Liftgate Ajar Warning Lamp
MD8	Delete Front License Plate Bracket
CLP	Door Sill Scuff Pads
JVA	Driver Seat - Manual Adjust 4-Way
CSP	Driver/Passenger Assist Handles
JJB	Dual Note Electric Horns
DH4	Electronic Range Select
BNS	Electronic Roll Mitigation
BNB	Electronic Stability Control
NHN	Electronically Controlled Throttle
XZQ	Engine Calibration Flash
HGF	Floor Tunnel Insulation
X9E	For Details, Visit DriveUconnect.com
MXB	Front Air Dam
CDR	Front Armrest w/Cupholders
SFB	Front Heavy Duty Shock Absorbers
CGD	Front Height Adjust Shoulder Bells
SHA	Front Stabilizer Bar
MHR	Front Wheel Well Liners
XGA	Front/Rear Climate Control Outlets
JWA	Frt Pass Seat - Manual Adjust 4-Way
TBB	Full Size Spare Tire
RDG	Global Telematics Box Module (TBM)
JKH	Glove Box
JLP	GPS Antenna Input
X79	Grille Module
MFF	Grille-Matte Black Mesh
MM5	Grille-Surround Matte Black
Z8F	GVW Rating - 11000#
LME	Halogen Quad Headlamps
*TX	HD Vinyl 40/20/40 Split Bench Seat
LHD	Headlamp Off Time Delay
BNG	Hill Start Assist
JE1	I/P Bezels-Painted

Standard Features - D28L62-3500 TRADESMAN REG CAB 4X4 (140 in WB 8 ft 0 in Box)

Code	Description
LAC	Illuminated Entry
LA6	Incandescent Tail Lamps
JY1	Instrument Cluster Theme 1 (Base)
JBF	Instrument Panel Black Bezel
XR8	Integrated Voice Command w/Bluetooth
CEU	Key Fob - Black
LNK	LED Hitch Lamp in Tailgate Handle
XJJ	Locking Tailgate
TCN	LT275/70R18E BSW All Season Tires
DK1	Man Shift-On-The-Fly Transfer Case
LF1	Manual Adjust Mirrors
JE8	Manual Door Locks
LFD	Manual Folding Exterior Mirrors
LF3	Manual Telescoping Mirrors
JF8	Manual Windows
LBA	Map/Courtesy Lamp
RSF	Media Hub-2 USB, Full Funct. Aux
GT1	Mirrors Manual Fold Telescopic
APA	Monotone Paint
JMD	N95+Bio HVAC Cabin Filter
NZD	Next Generation Engine Controller
XA8	Non Adjustable Pedals
XAC	ParkView Rear Back-up Camera
GNM	Passenger Side Sun Visor w/Mirror
XBS	Pickup Box
JKY	Power Accessory Delay
SBE	Power Steering
GY4	Pushbutton Start
MT7	Ram 3500 Badge
MGA	Ram's Head Badge
BHD	Ready Alert Braking
LCH	Rear Dome Lamp
GJD	Rear Fixed Window
SGB	Rear Heavy Duty Shock Absorbers
GNA	Rear View Day/Night Mirror
LTF	Red Tail Lamp Bezels
RSX	Remote USB Port
RS3	Remote USB Port - Charge Only
C1G	Rotary Shifter-Black
GXX	Sentry Key Theft Deterrent System
AR9	Single Rear Wheel Group
WL1	Single Rear Wheels
RT1	SiriusXM Guardian-included trial (B)

Standard Features - D28L62-3500 TRADESMAN REG CAB 4X4 (140 In WB 8 ft 0 In Box)	
Code	Description
NHM	Speed Control
CJ4	Supp Side Curtain Front Air Bags
CJ1	Supplemental Frt Seat Side Air Bags
CGS	Supplemental Side Air Bags
JFJ	Temperature & Compass Gauge
SUA	Tilt Steering Column
GAC	Tinted Glass Windows
GBB	Tinted Windshield Glass
XBN	Tip Start
TBM	Tire Carrier Winch
LAW	Tire Fill Alert
XBT	Tire Pressure Information System
XEA	Tow Hooks
BNM	Traction Control
BNT	Trailer Sway Damping
XFU	Trailer Tow w/4-Pin Connector Wiring
UAA	Uconnect 3 with 5" Display
RF7	USB Host Flip
JHA	Var Intermittent Windshield Wipers
LAZ	Vehicle Information Center
XCM	Vendor Painted Cargo Box
4ZB	Vendor Painted Cargo Box Tracking

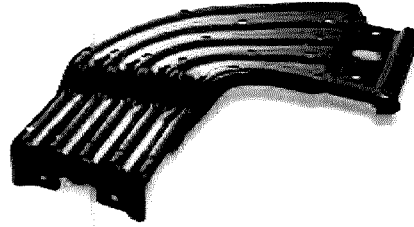
# Tradesman Level 1 Equipment Group (A61)



## Details:

- Speed Sensitive Power Locks (JPH)
- Mirror Power Heat Fold Telescopic (GT2)
- Ext. Mirrors w/Supplemental Signals (LEB)
- Upgraded Door Trim Panel (CTY)
- Exterior Mirrors Courtesy Lamps (LEC)
- Manual Folding Exterior Mirrors (LFD)
- Exterior Mirrors w/Heating Element (NHJ)
- Pwr Windows, Front 1-Touch Down (JPY)
- Mirror Running Lights (LNY)
- Manual Telescoping Mirrors (LF3)
- Power Adjust Mirrors (LF2)
- Black Exterior Mirrors (LE4)
- Overhead Console (CUN)
- Remote Keyless Entry (GXM)
- Overhead Cupholder Lamp (LBT)
- Convex Aux Mirrors, Power-Adjustable (LFX)

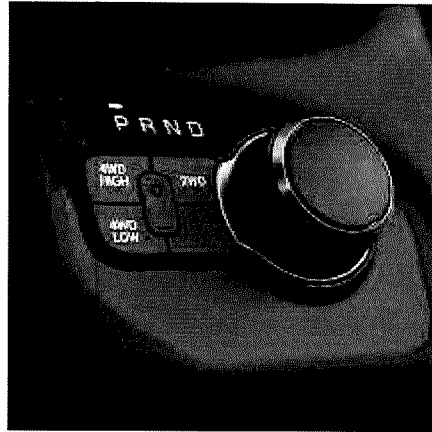
# Protection Group (ADB)



## Details:

- Transfer Case Skid Plate Shield (XEF)

## Elec Shift-On-The-Fly Transfer Case (DK3)

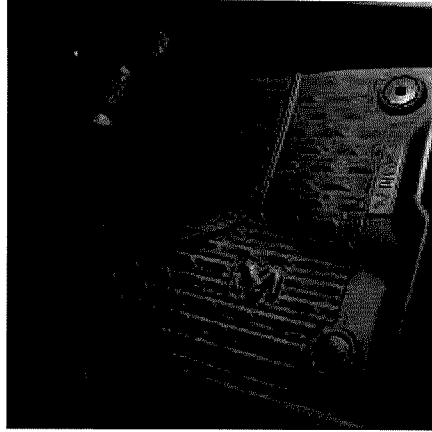


The part-time Borg-Warner transfer case with a low-range gear reduction system offers electronic shifting capability. It has three operating ranges (2HI, 4HI, 4LO) plus a NEUTRAL position, with shift-on-the-fly (2HI to 4HI) capability. The low-range system provides a gear reduction ratio of 2.64:1 for increased low-speed torque capability.

# LT275/70R18E OWI On/Off Road Tires (TCP)

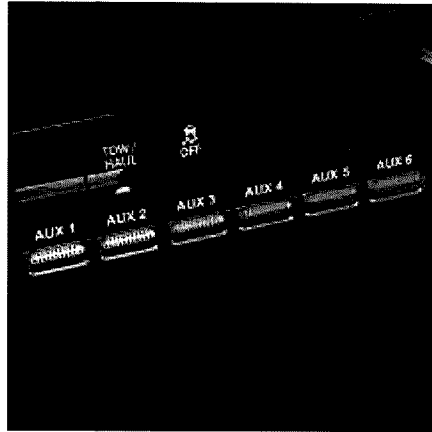
Image not available at this time. Please try again later.

## Mopar Front Rubber Floor Mats (CLY)



The all-weather front floor mats by Mopar® are molded-in-color and are designed to help keep water, snow and mud at bay. These mats will help to protect your carpet and keep it clean.

# Auxiliary Switches - I/P Mounted (LHL)



## Details:

- Dash Pass Thru Wire Circuits (BC3)

# Engine Block Heater (NHK)



The engine block heater warms the engine and engine oil to make it easier to start in cold weather and reduces startup wear.

## **Add Full Size Spare (if Box Delete) (TBE)**

Image not available at this time. Please try again later.

# Delete Pickup Box (XBC)

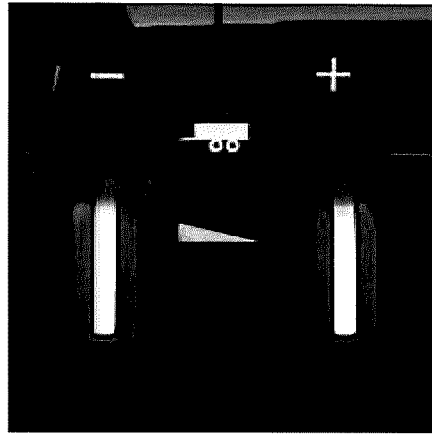


**RAM**

## Details:

- Bulb Out Detection Defeat For LED (LB6)
- Delete Spare Tire (TBF)

# Trailer Brake Control (XHC)



The trailer brake controller operates the trailer's brakes so it brakes in tandem with the vehicle's brakes. This system is electronic and fully integrated.

## Details:

- Trailer Light Check (JJ1)