

Overview

KOMPAN!

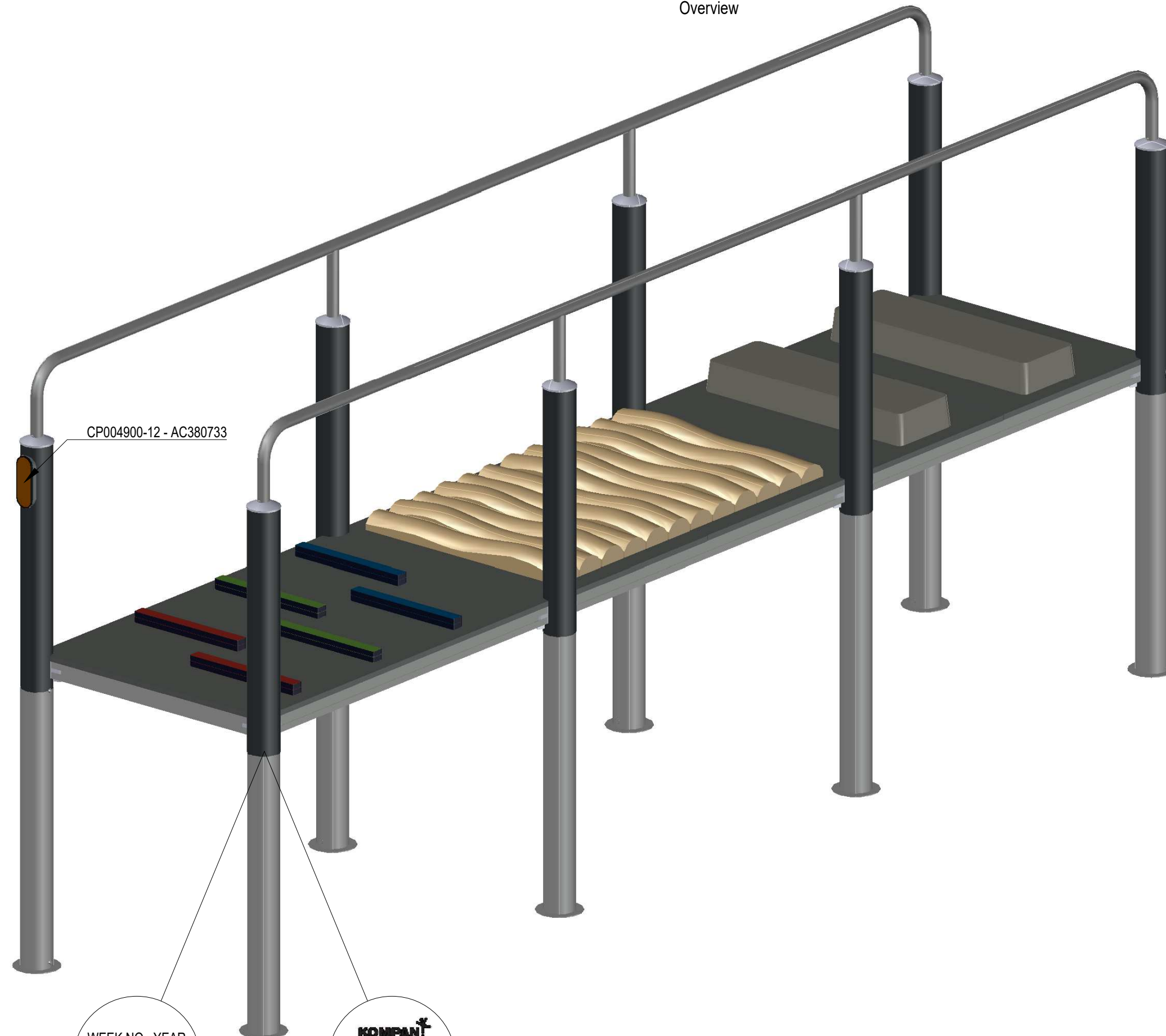
FSW22400-0900

ID ----

tomkat

2024-05-26

Colorline:	Anthracite Matt
Foundation:	90 cm
Norm:	---
Units:	cm
Post material:	Steel
Post colors:	Anthracite

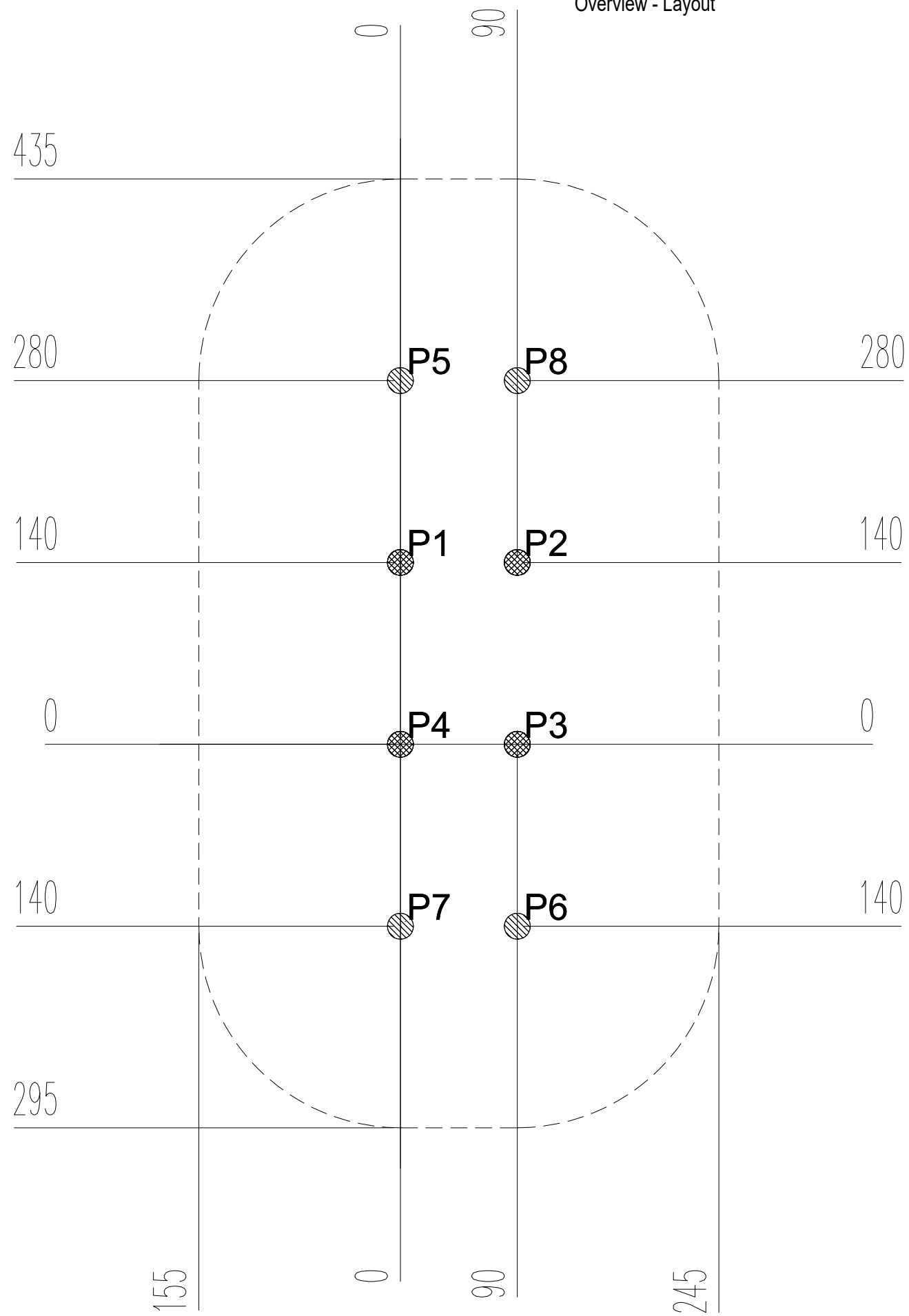


CP004900-12 - AC380733

WEEK NO. YEAR
PRODUCT
NUMBER



Overview - Layout



KOMPAN!

FSW22400-0900

ID ----

tomkat

2024-05-26

Scale: MAX

Units: cm

Safety zone

- Norm: EN16630

- Perimeter: 20 m

- Area: 27.2 m²

Concrete

- Volume: 0.16 m³



Concrete - Bétón - Horngrön
Cemento - Beton - Beton - Beton
Beton - Beton - Beton

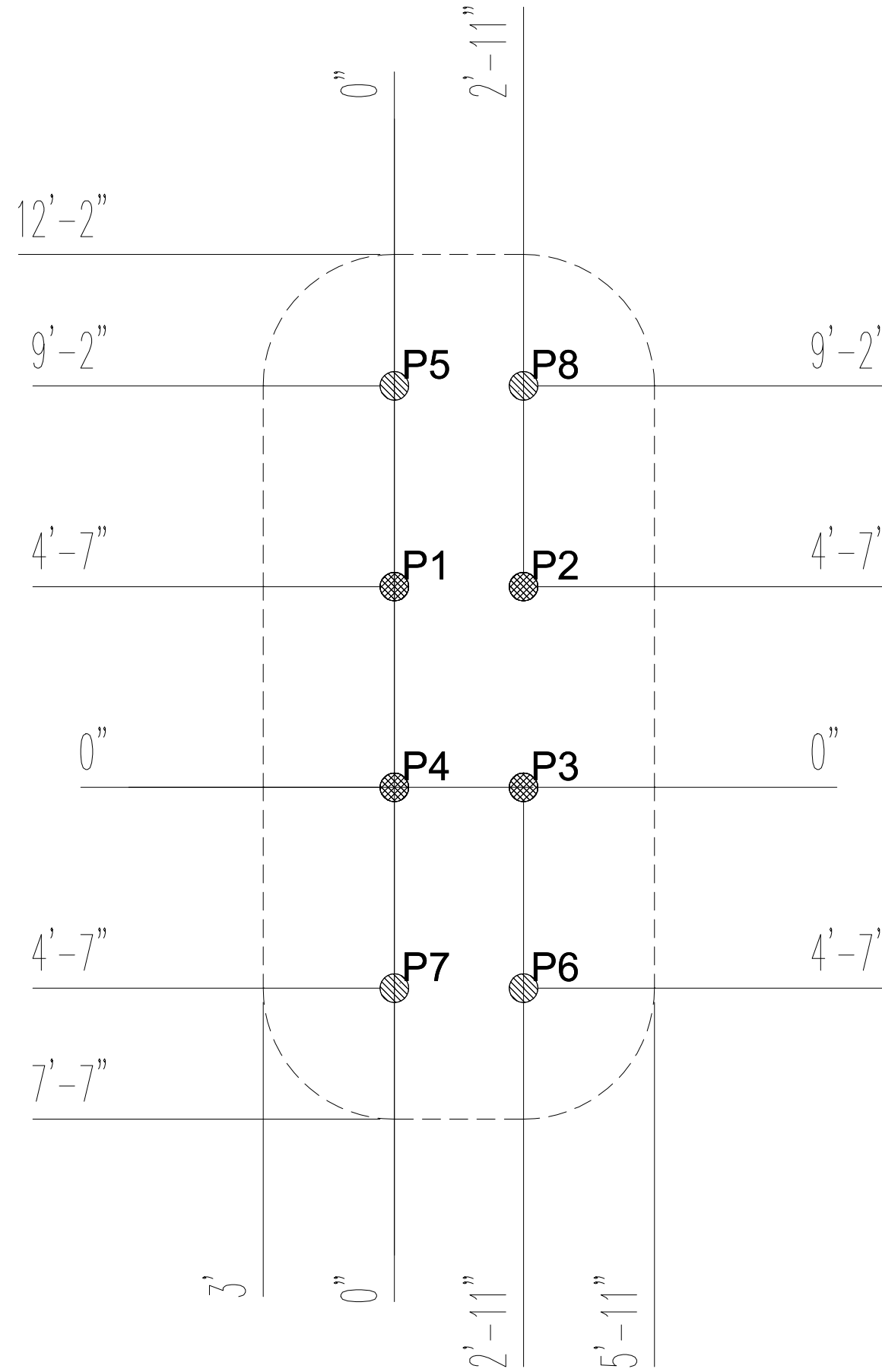
C25/30 (B25)

$f_{ck,cube} = 30 \text{ N/mm}^2$

Use the specified quality of concrete in accordance with all specifications from the concrete supplier taking the nature of the product to be installed into account.



Overview - Layout



FSW22400-0900

ID ----

tomkat

2024-05-26

Scale: MAX

Units: inch

Safety zone

- Norm: ASTM F3101
- Perimeter: 53 ft
- Area: 169.5 ft²

Concrete

- Volume: 5.66 CU.FT.



Concrete - Béton - Hörtgön
Cemento - Beton - Beton - Beton
Beton - Beton - Beton - Beton

C25/30 (B25)

$f_{ck,cube} = 30 \text{ N/mm}^2$

Use the specified quality of concrete in accordance with all specifications from the concrete supplier taking the nature of the product to be installed into account.



Overview of used Digging Holes and Footings

Foundation				Footing for Posts / Modules					
Pos.	Hole Type	Profile [cm]	Depth [cm]	Pos.	Module No.	Profile [mm]	Length [cm]	Footing module	Post cap
P1-P8	14B	ø20	90	P1-P8	SD05-1690-213	Ø101,6x2,0	169	CP120900-10	CP130300-12

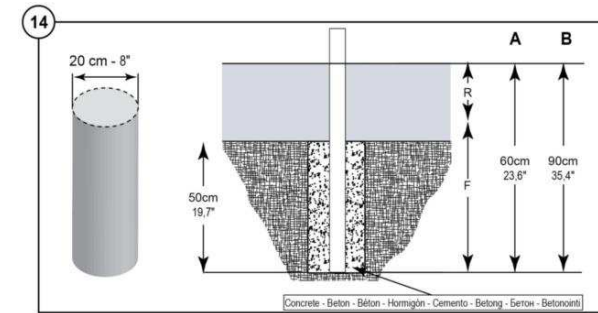


FSW22400-0900

ID ----

tomkat

2024-05-26



Safety zone / Fall height



FSW22400-0900

ID ----

tomkat

2024-05-26

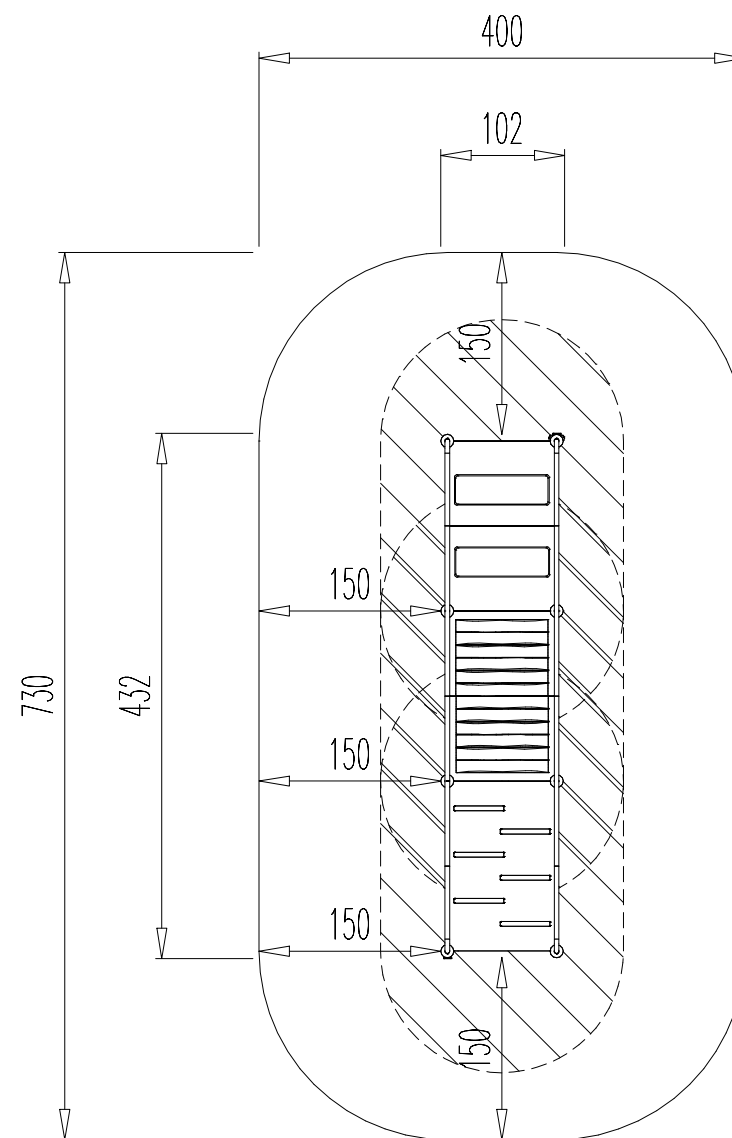
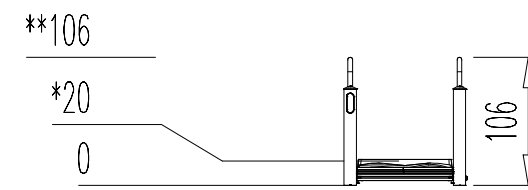
Scale: MAX

Units: cm

EN16630

* Fall height

** Total height



Safety zone / Fall height



FSW22400-0900

ID ----

tomkat

2024-05-26

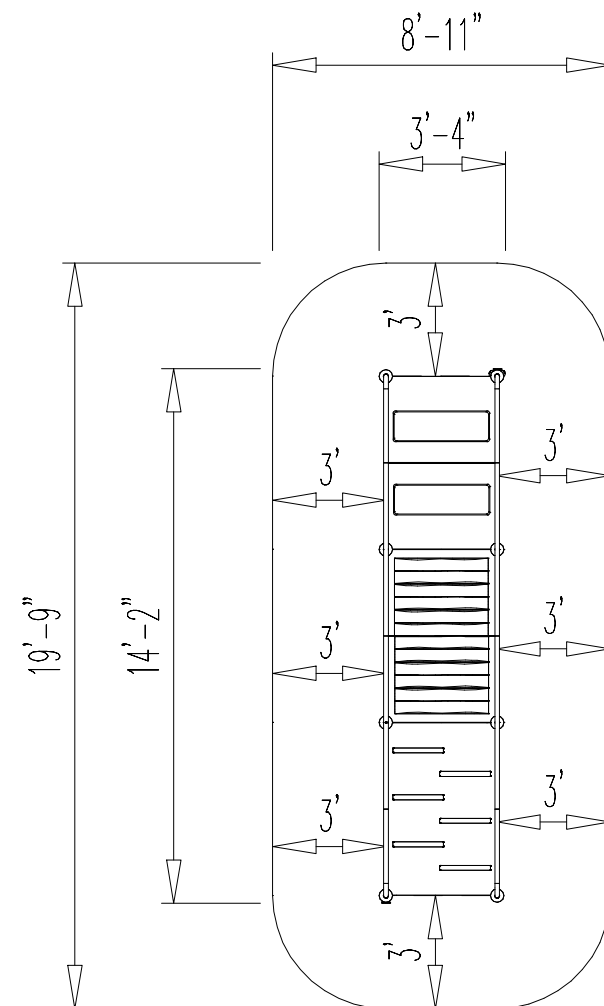
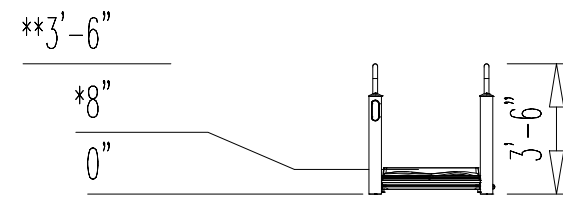
Scale: MAX

Units: inch

ASTM F3101

* Fall height

** Total height






FSW22400-0900

ID ----

tomkat

2024-05-26

 8x SD05-1690-213



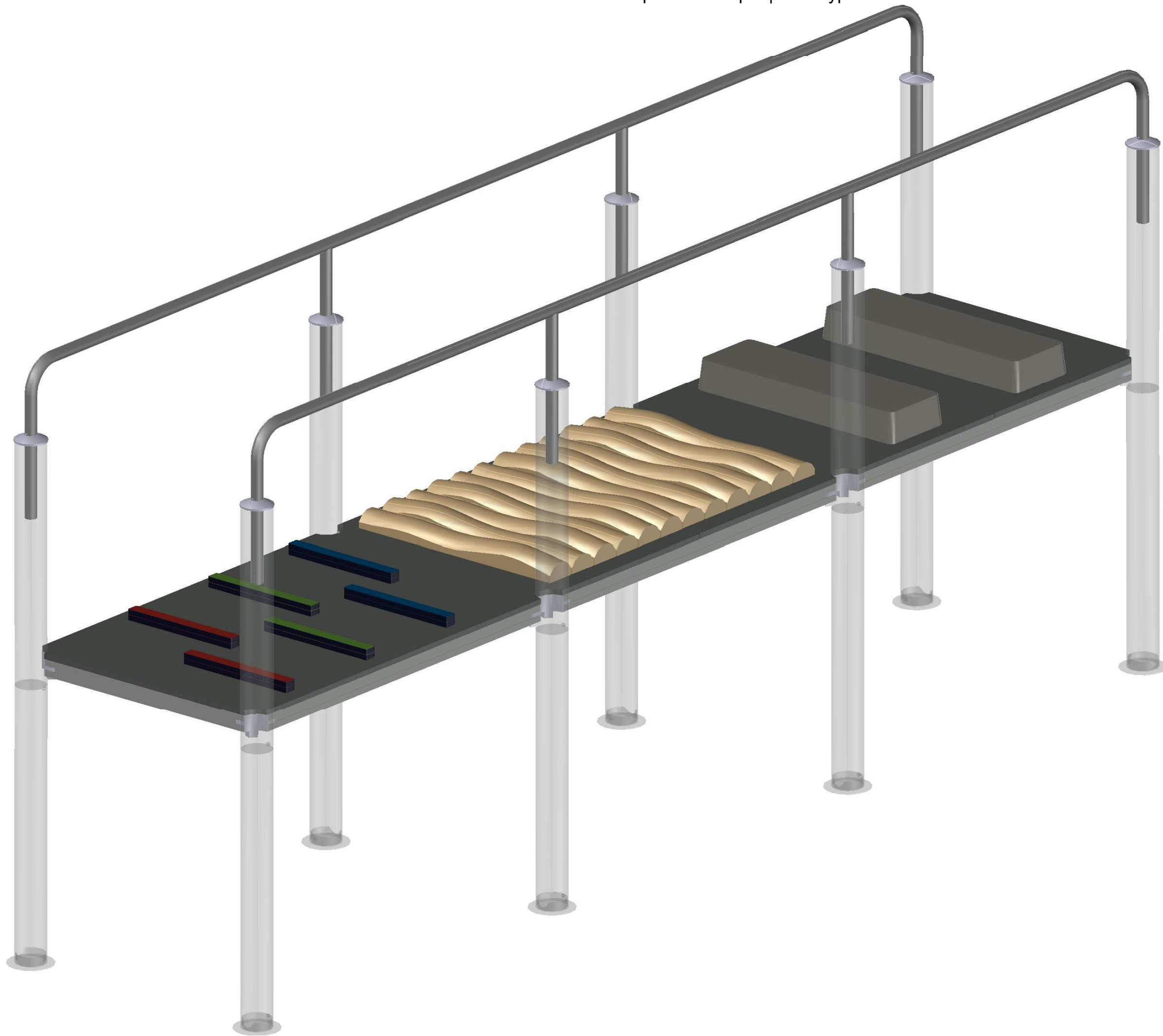


FSW22400-0900

ID ----

tomkat

2024-05-26



-  4x CP824500-05
-  4x CP824600-05
-  1x CP824100-06
-  1x CP824000-00
-  1x CP824200-08
-  6x CP131100-12



FSW22400-0900

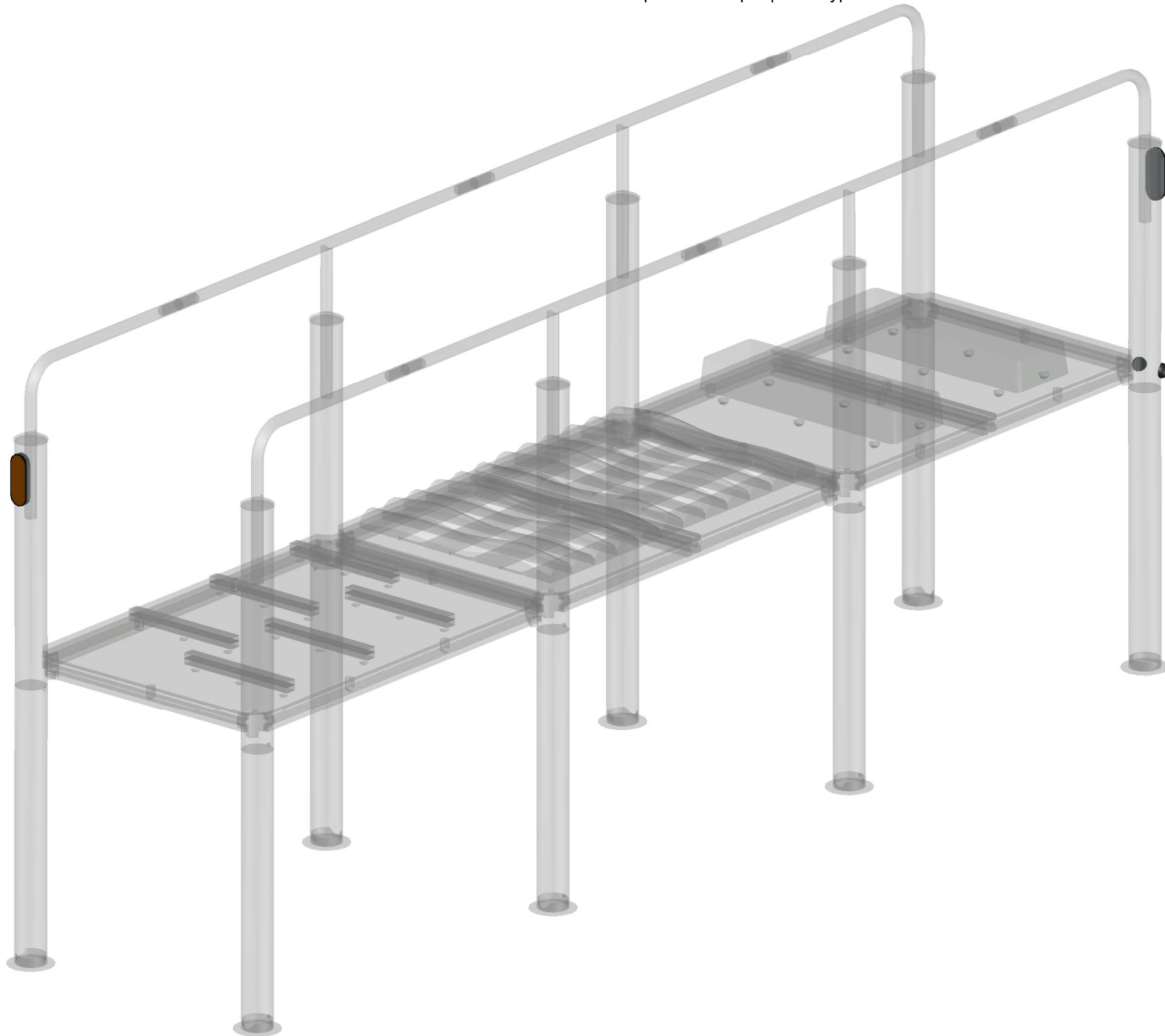
ID ----

tomkat

2024-05-26

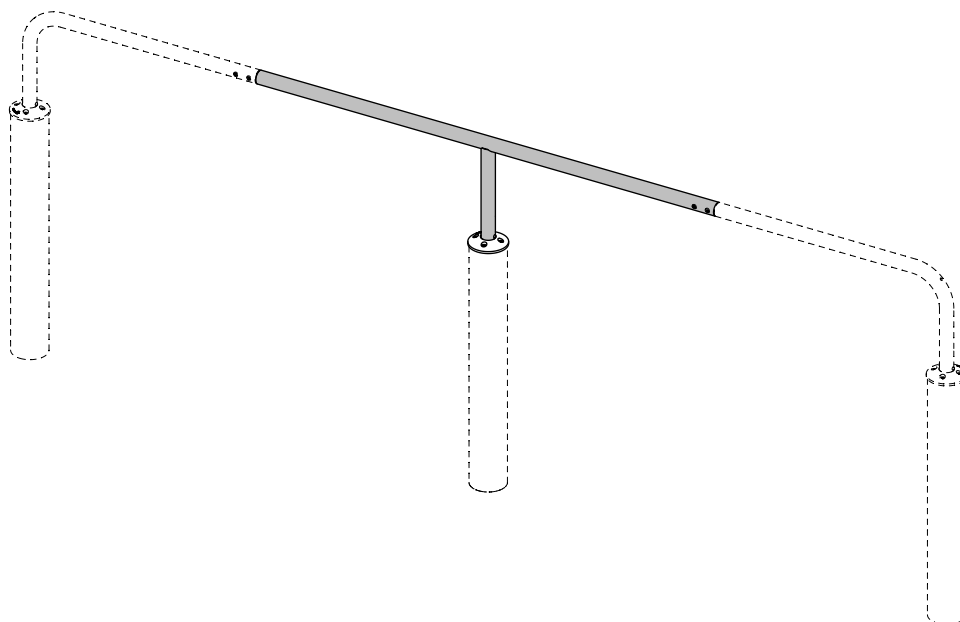
 2x CP004900-12

 1x CP006300-07

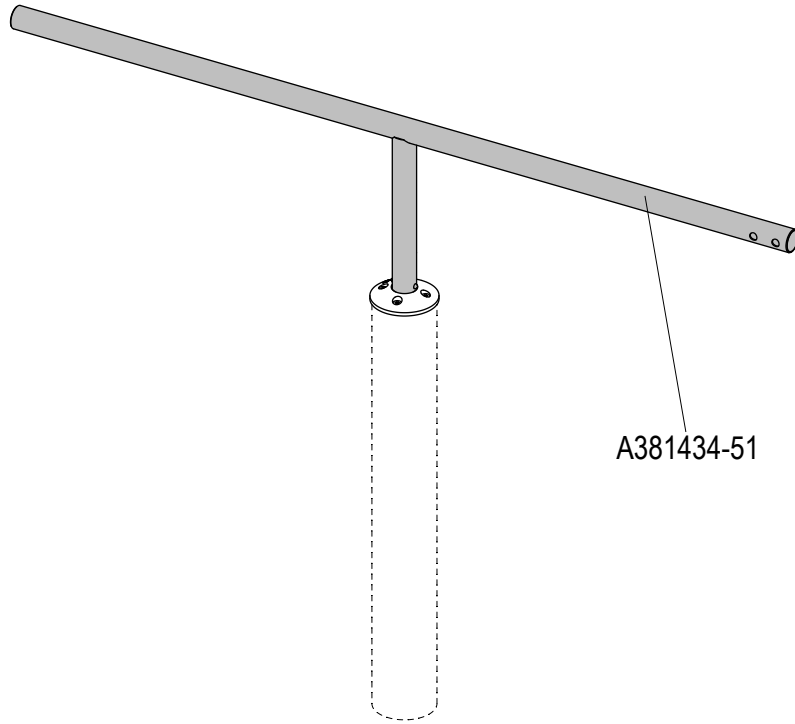


KOMPAN!

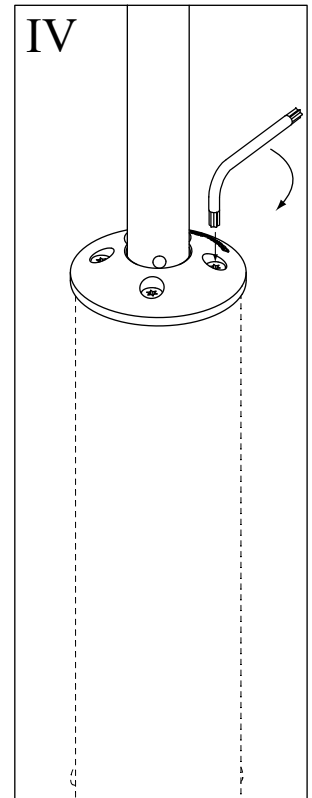
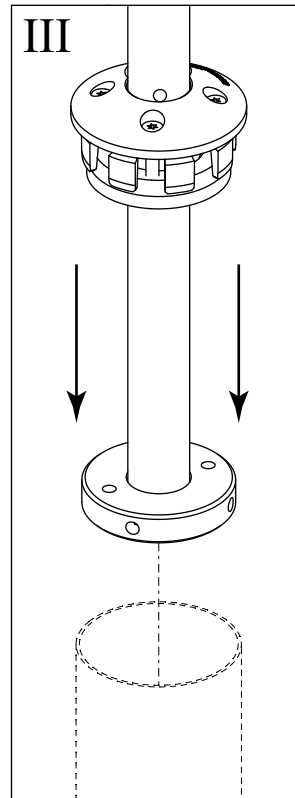
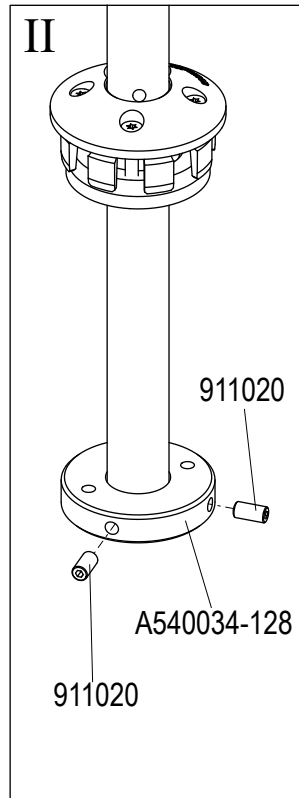
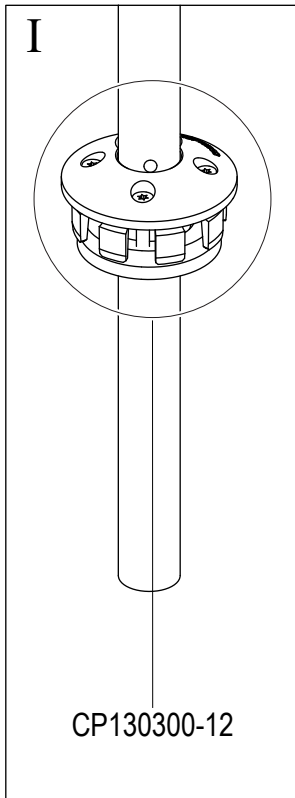
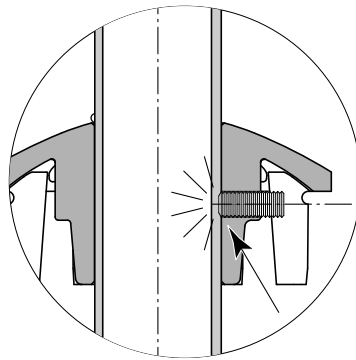
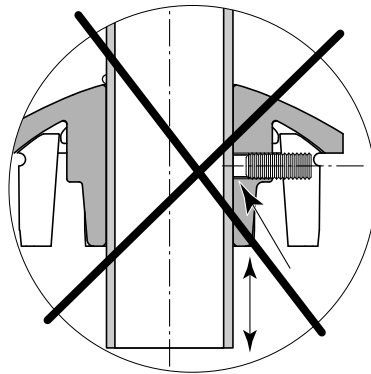
CP824600-05



VCP8246XX 20190904 JarHru



A381434-51

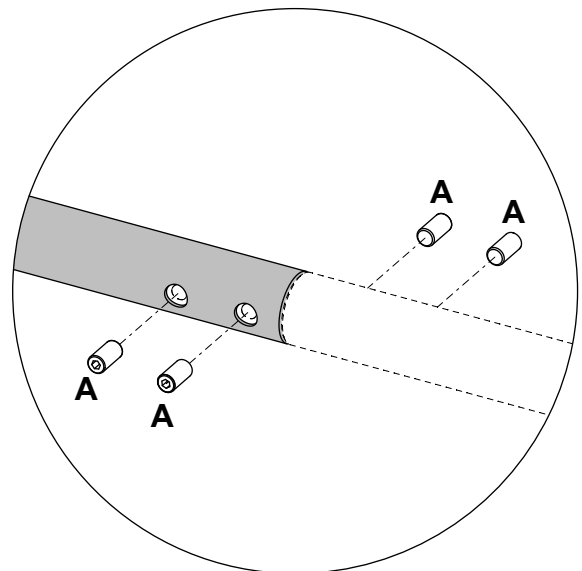
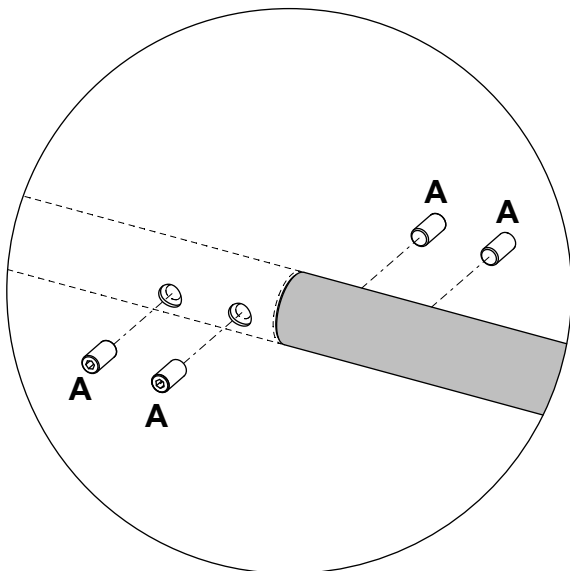
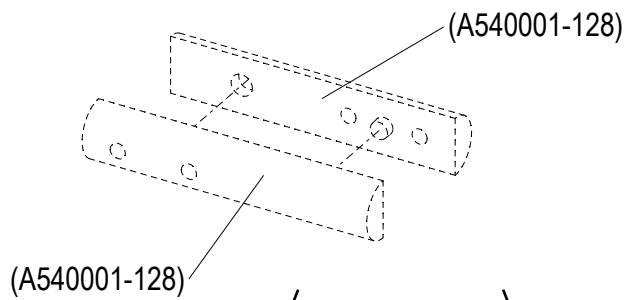
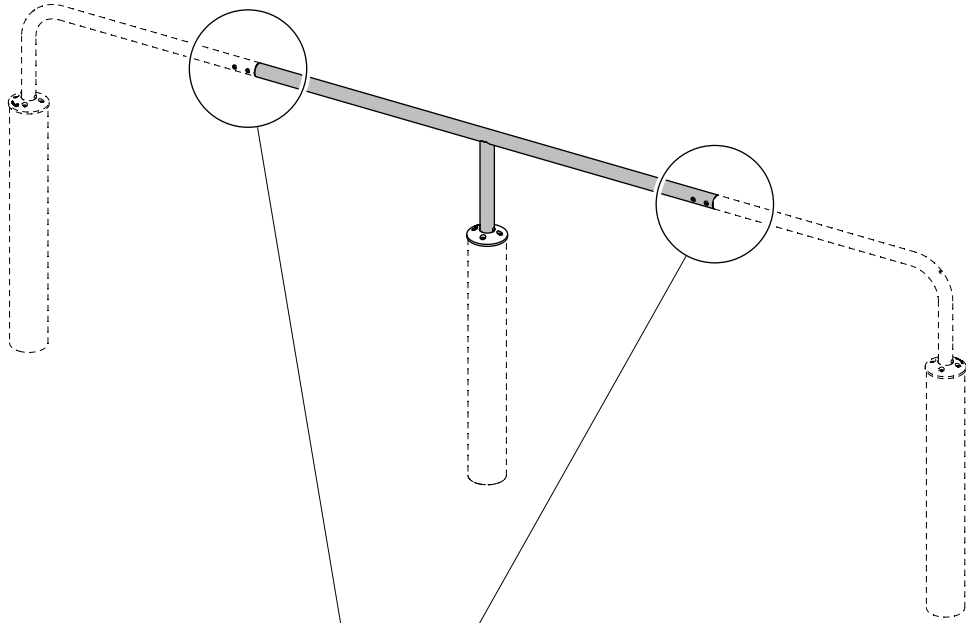




A

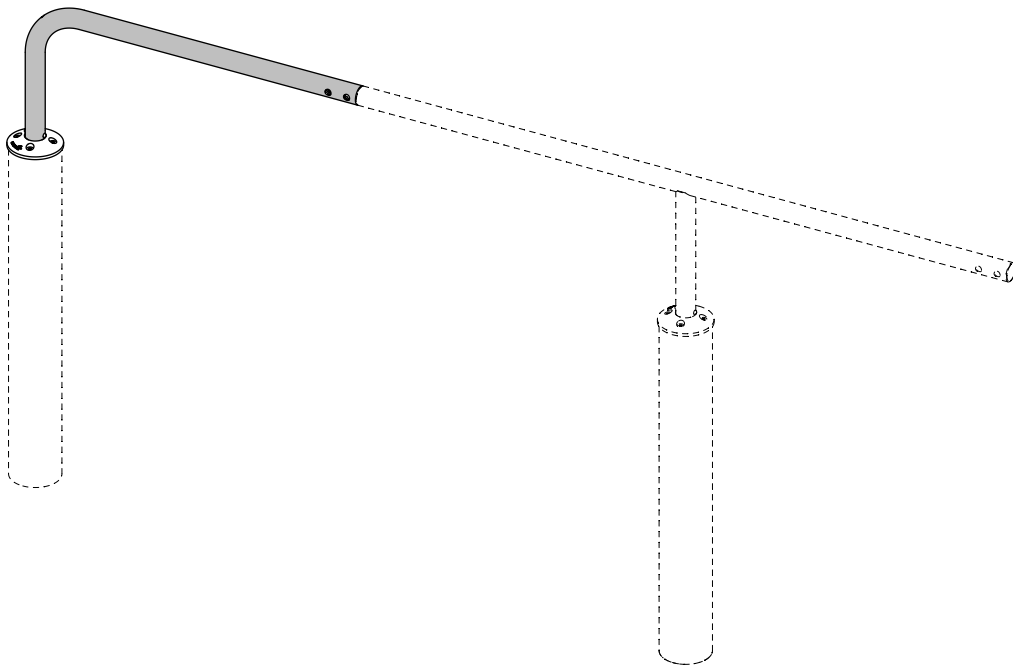


911020

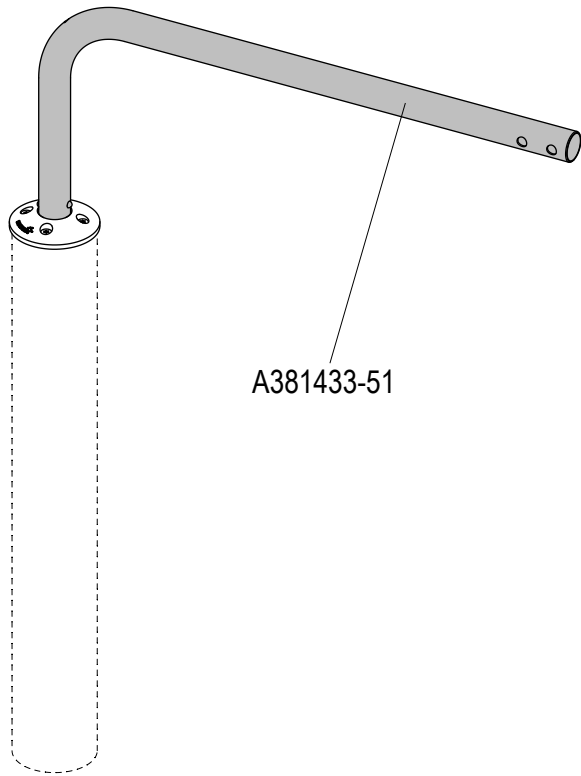


KOMPAN!

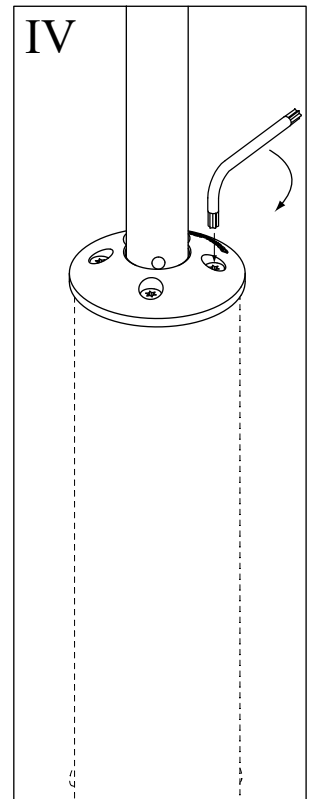
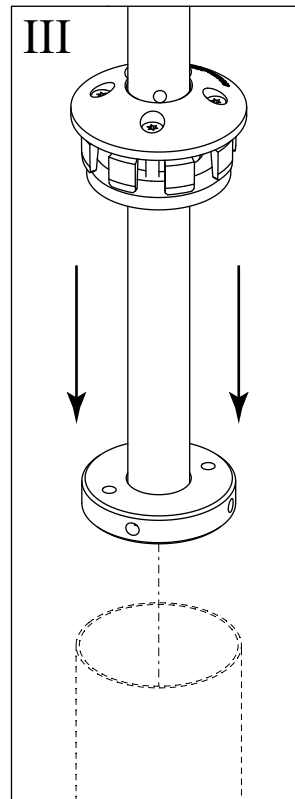
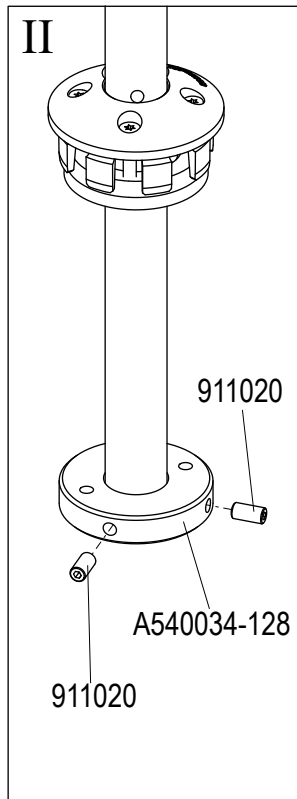
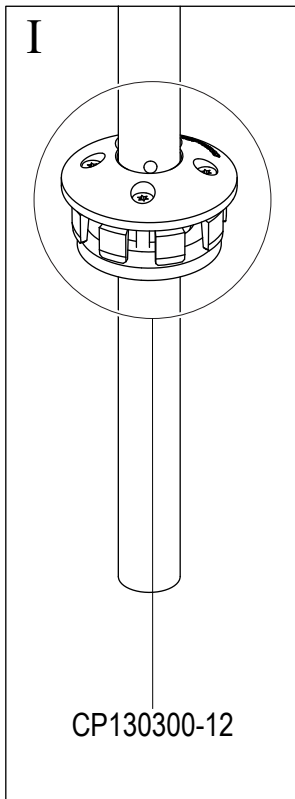
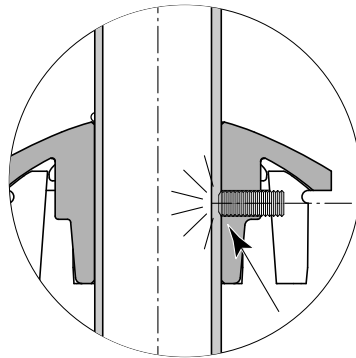
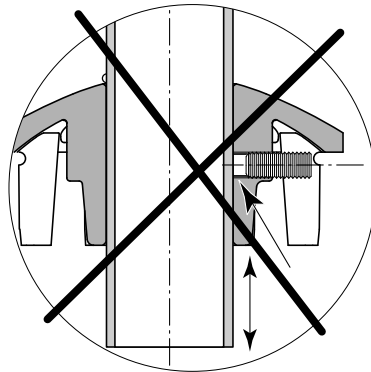
CP824500-05



VCP8245XX 20190904 JarHru



A381433-51

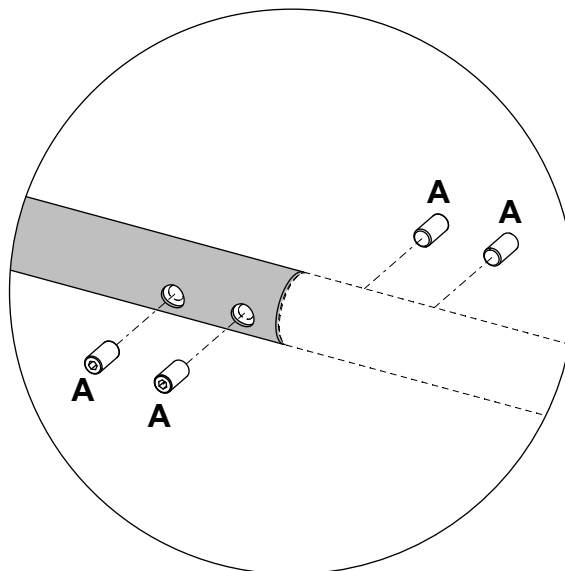
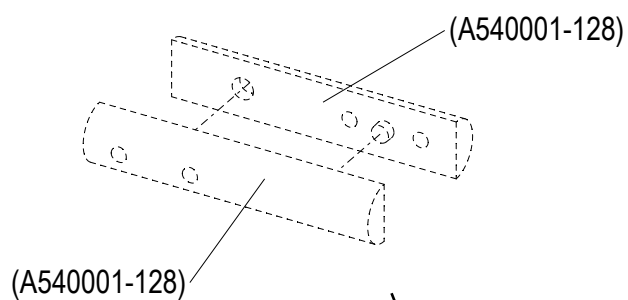
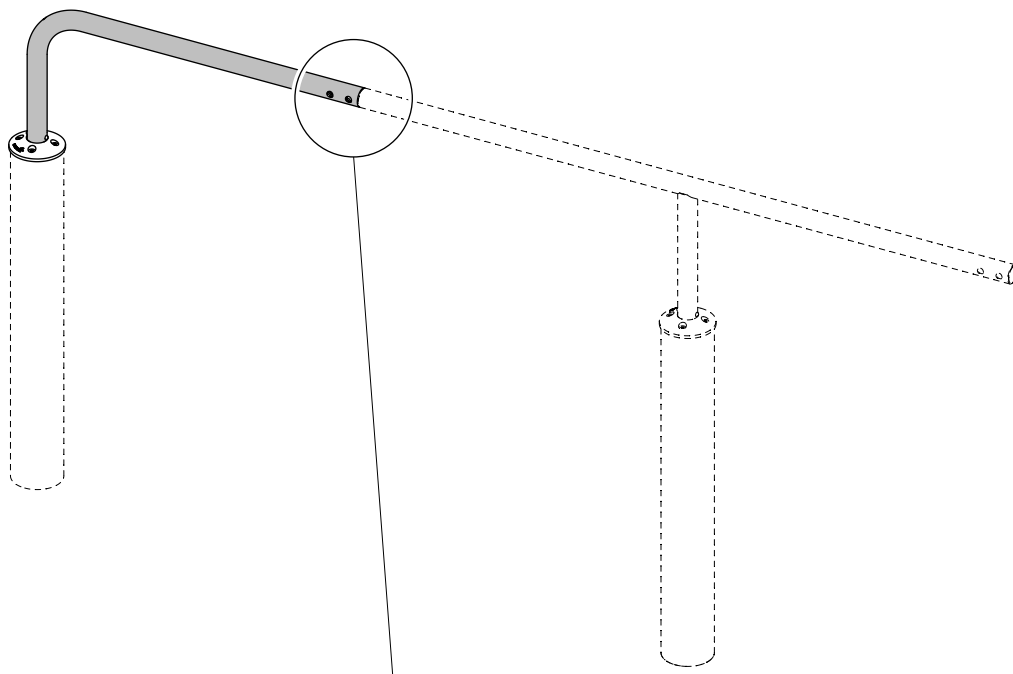




A



911020



KOMPAN!

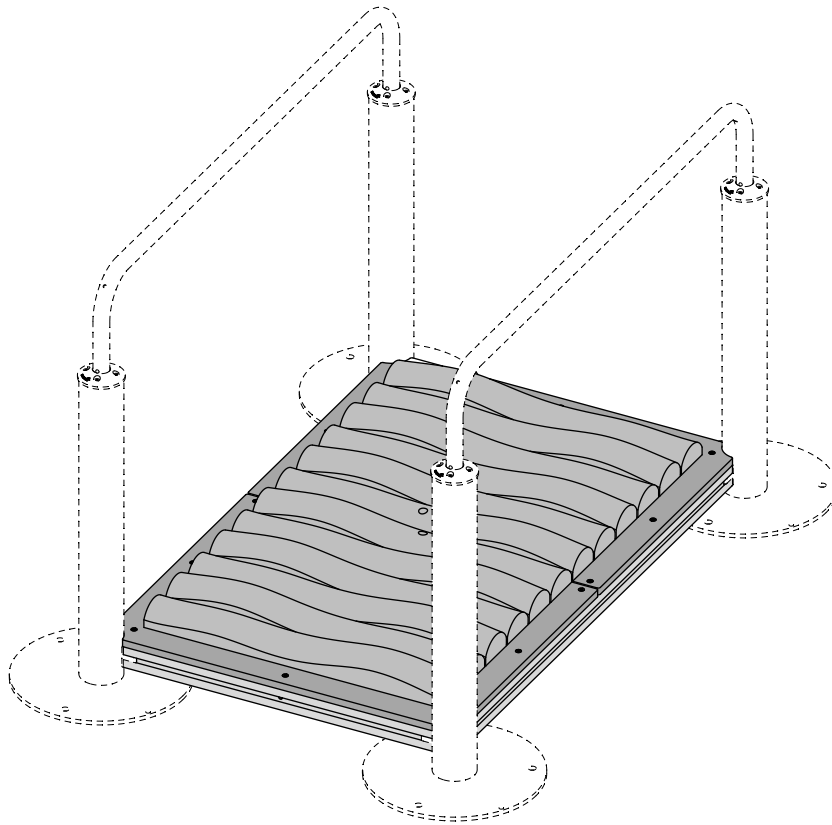
CP824100-06

CP824200-08

CP824300-02

CP824400-00

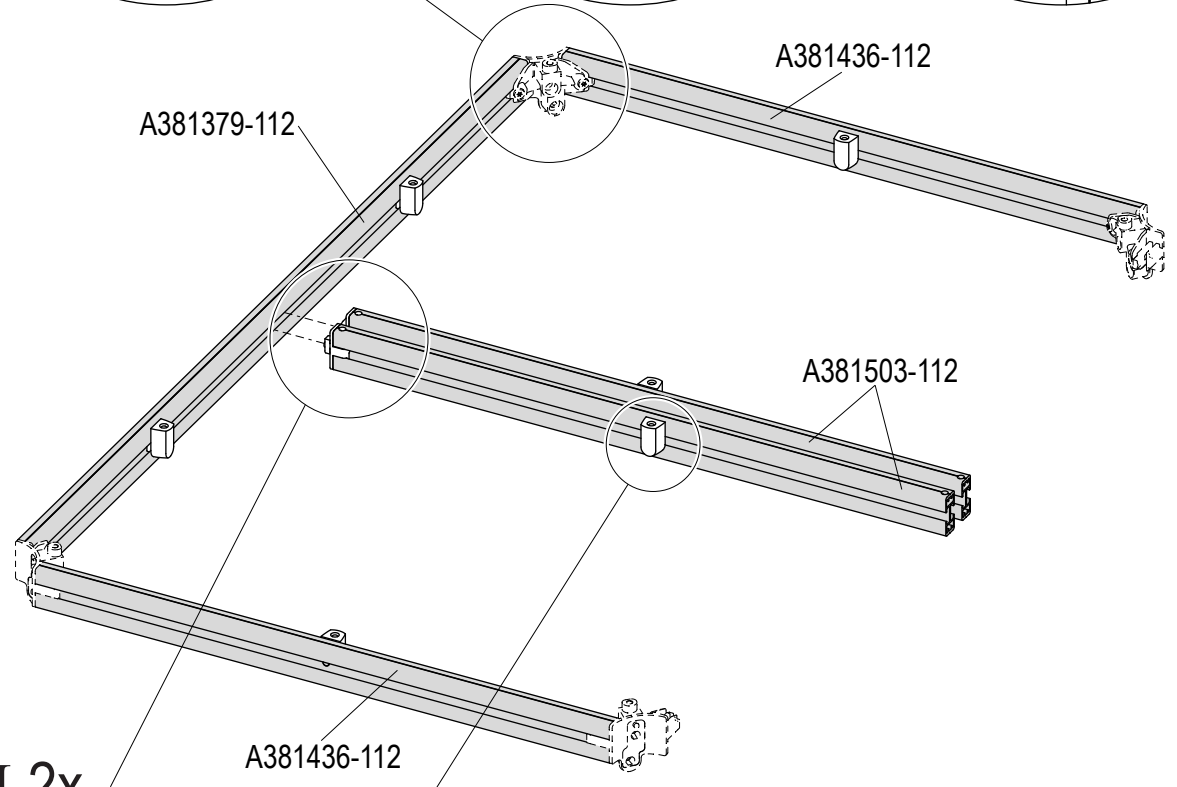
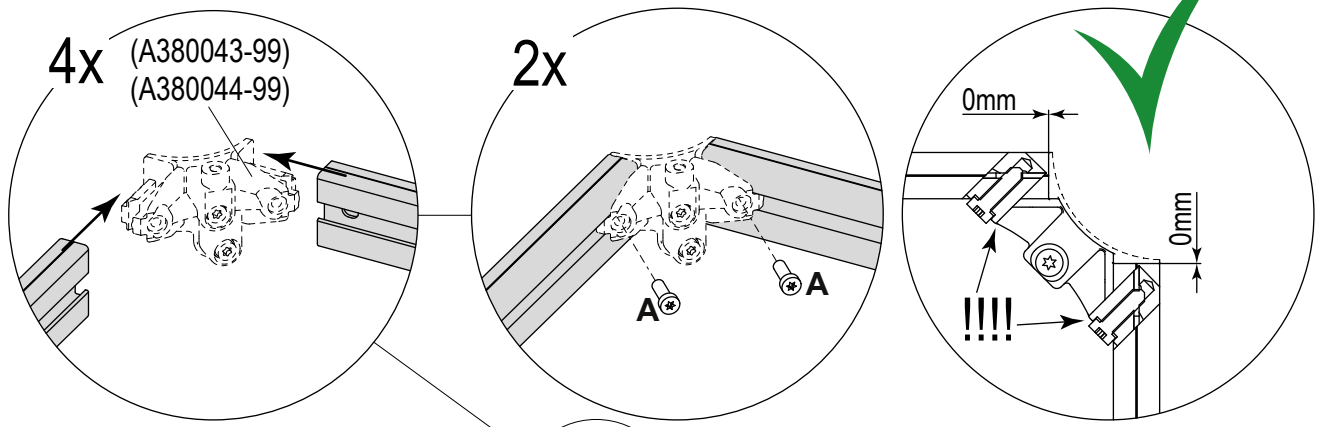
CP824000-00



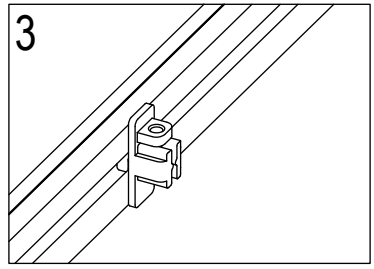
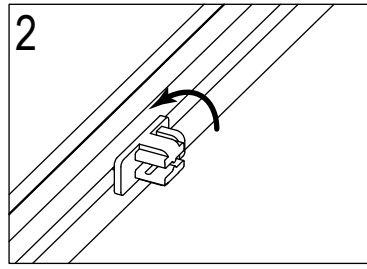
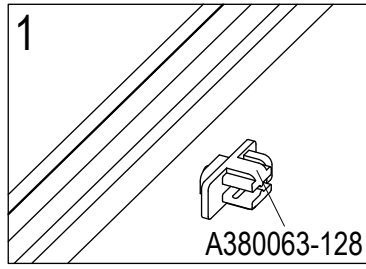
A



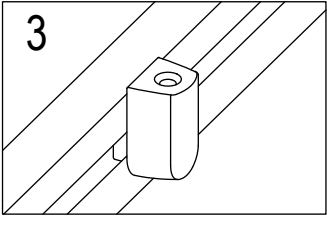
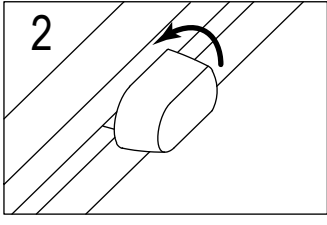
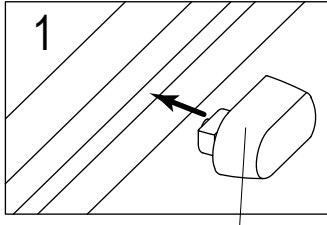
210100408025



II 2x



III 6x

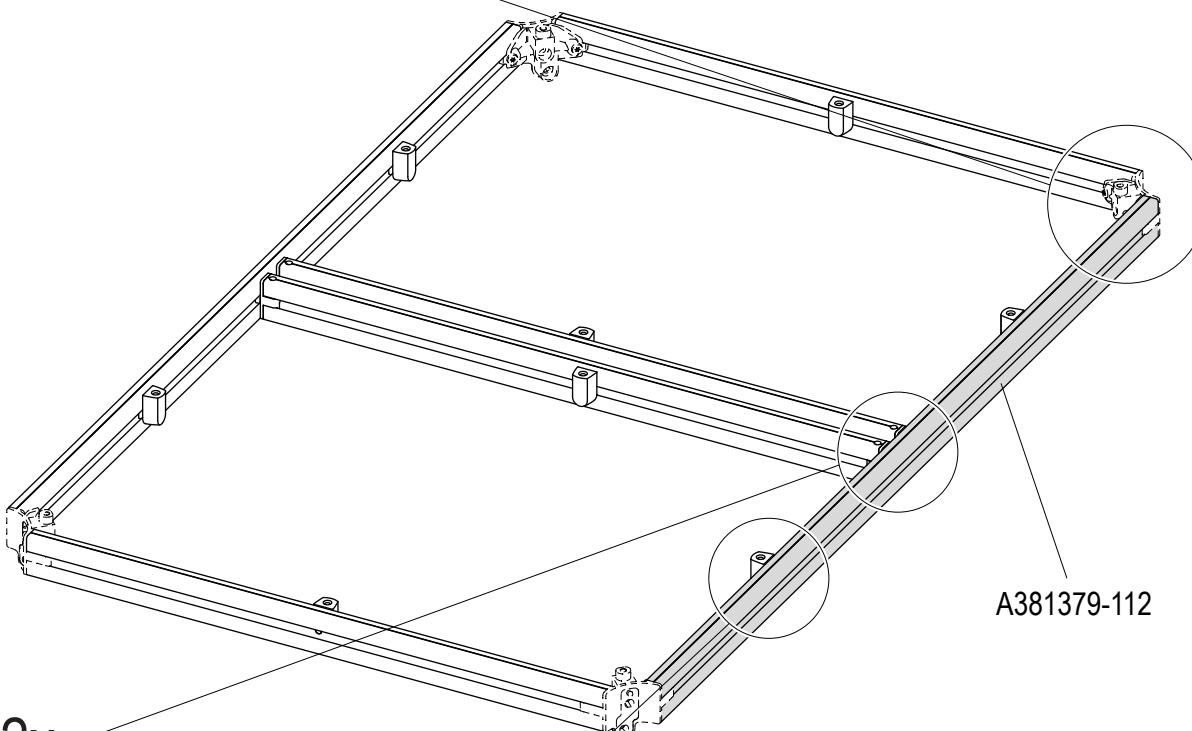
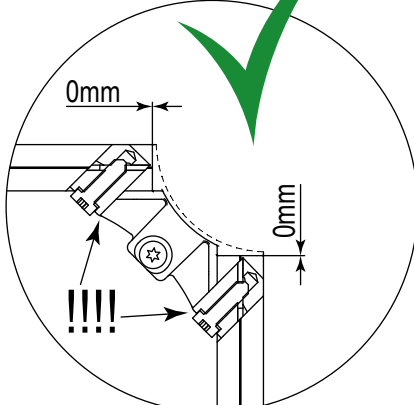
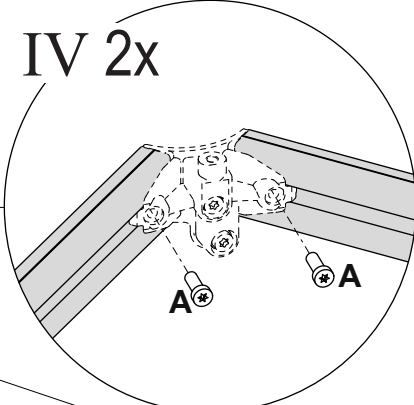
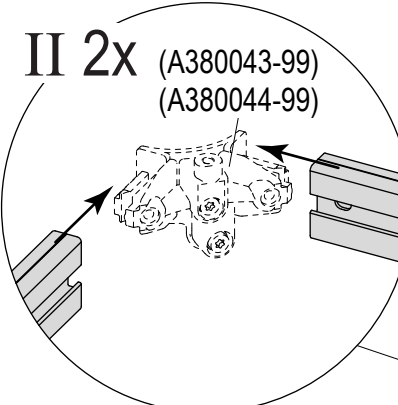


4x A380046-128

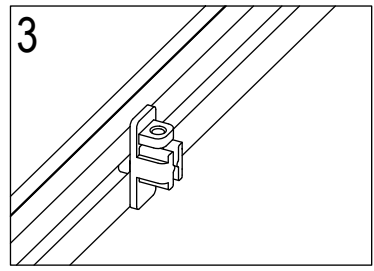
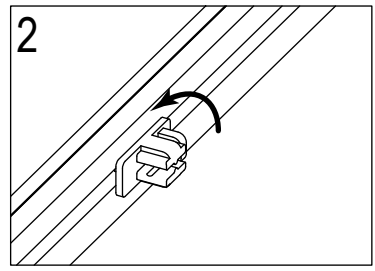
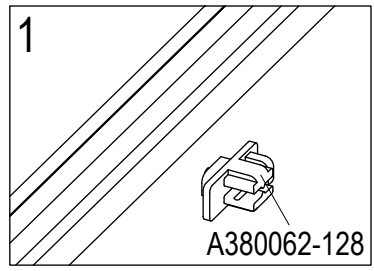
A



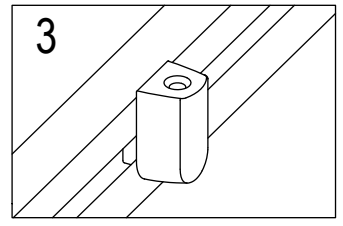
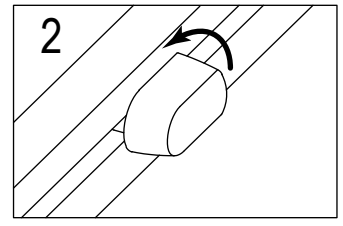
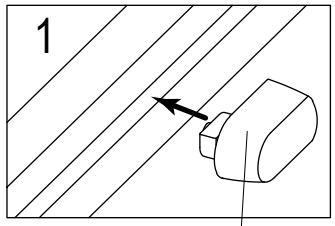
210100408025



I 2x

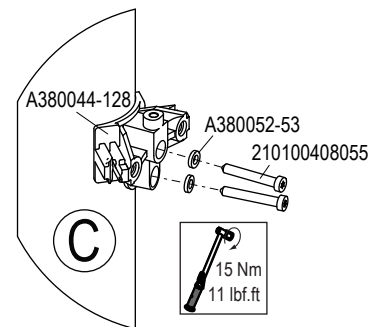
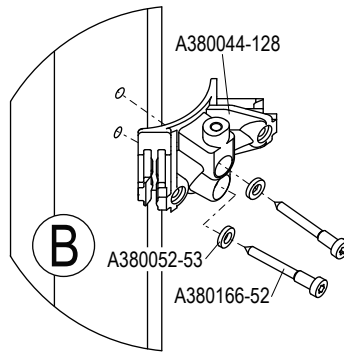
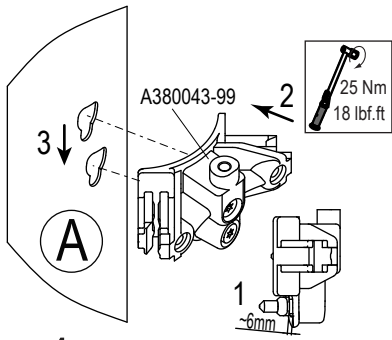


III 2x

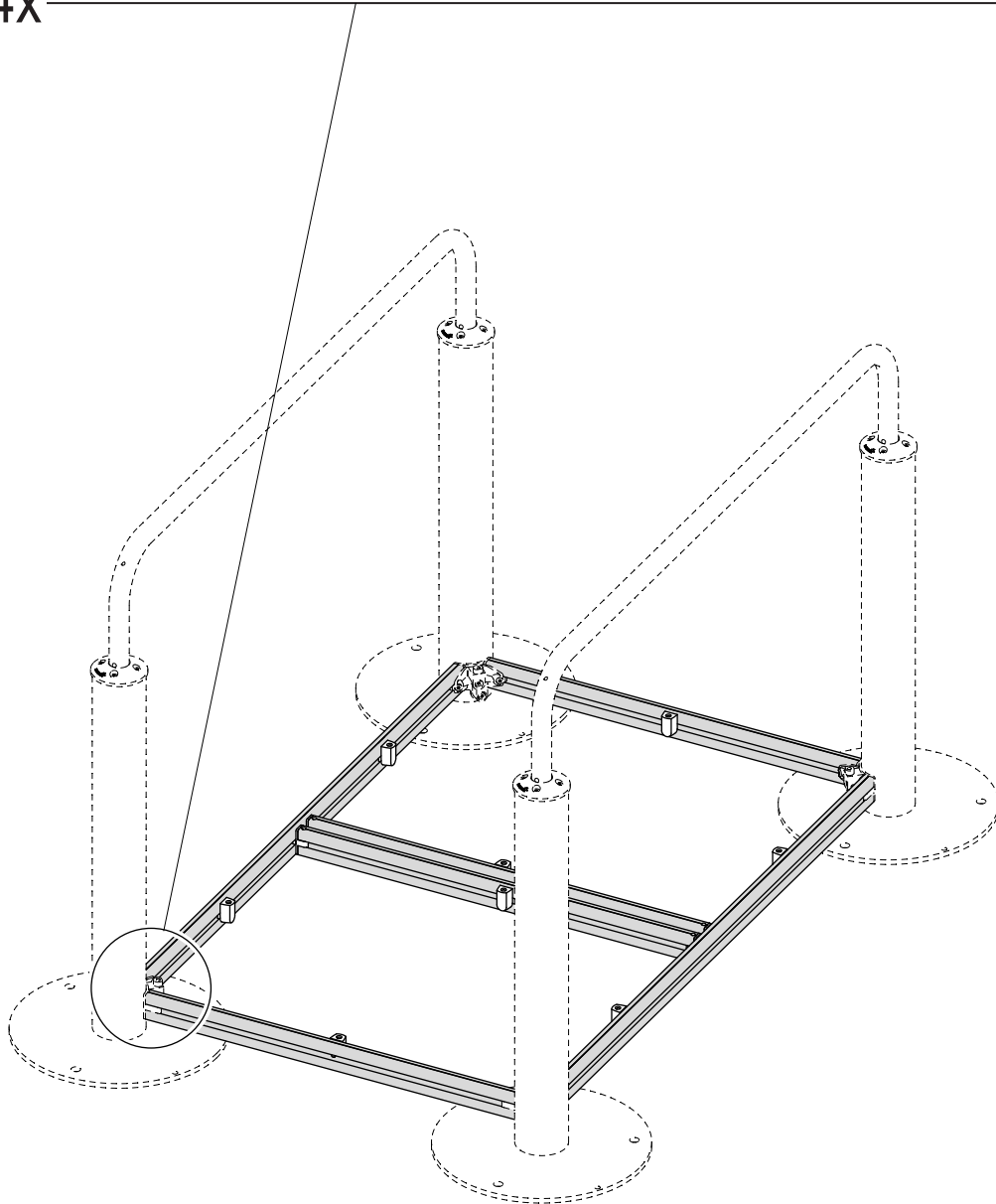




A Steel/ Alu **B** Wood (Pine) **C** Texmade™



I 4x





A



250100408040

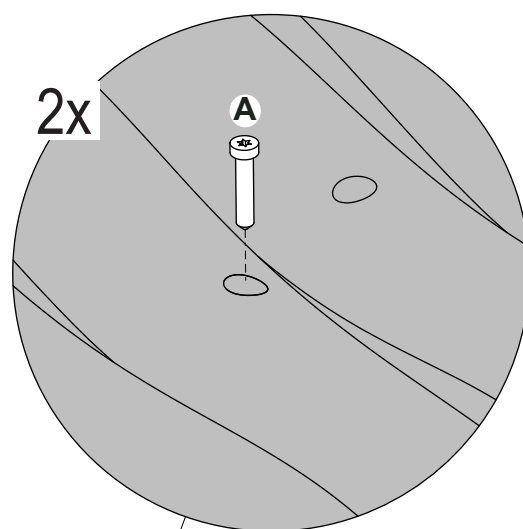
B



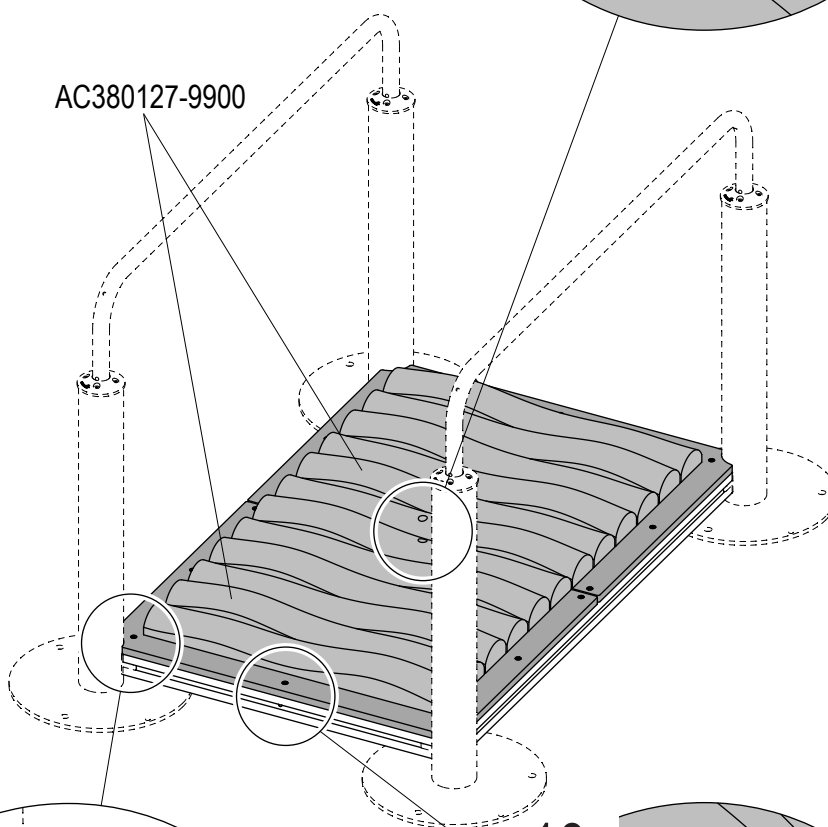
210100408025

CP824000-00

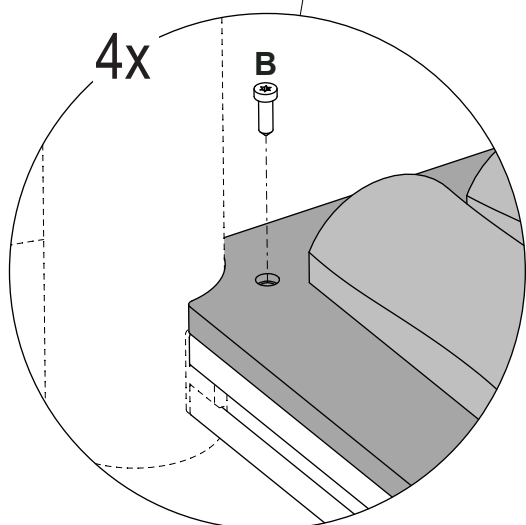
2x



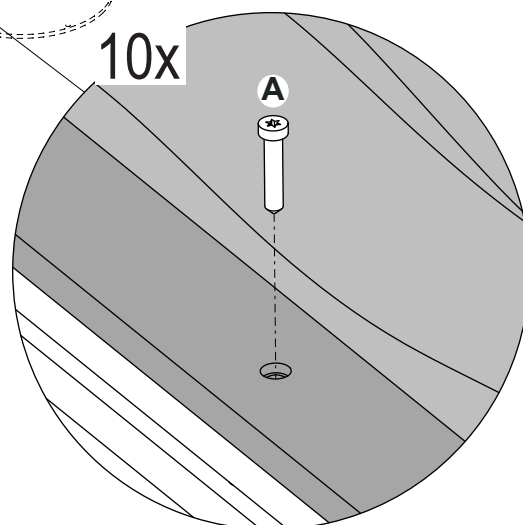
AC380127-9900



4x



10x





A



250100408040

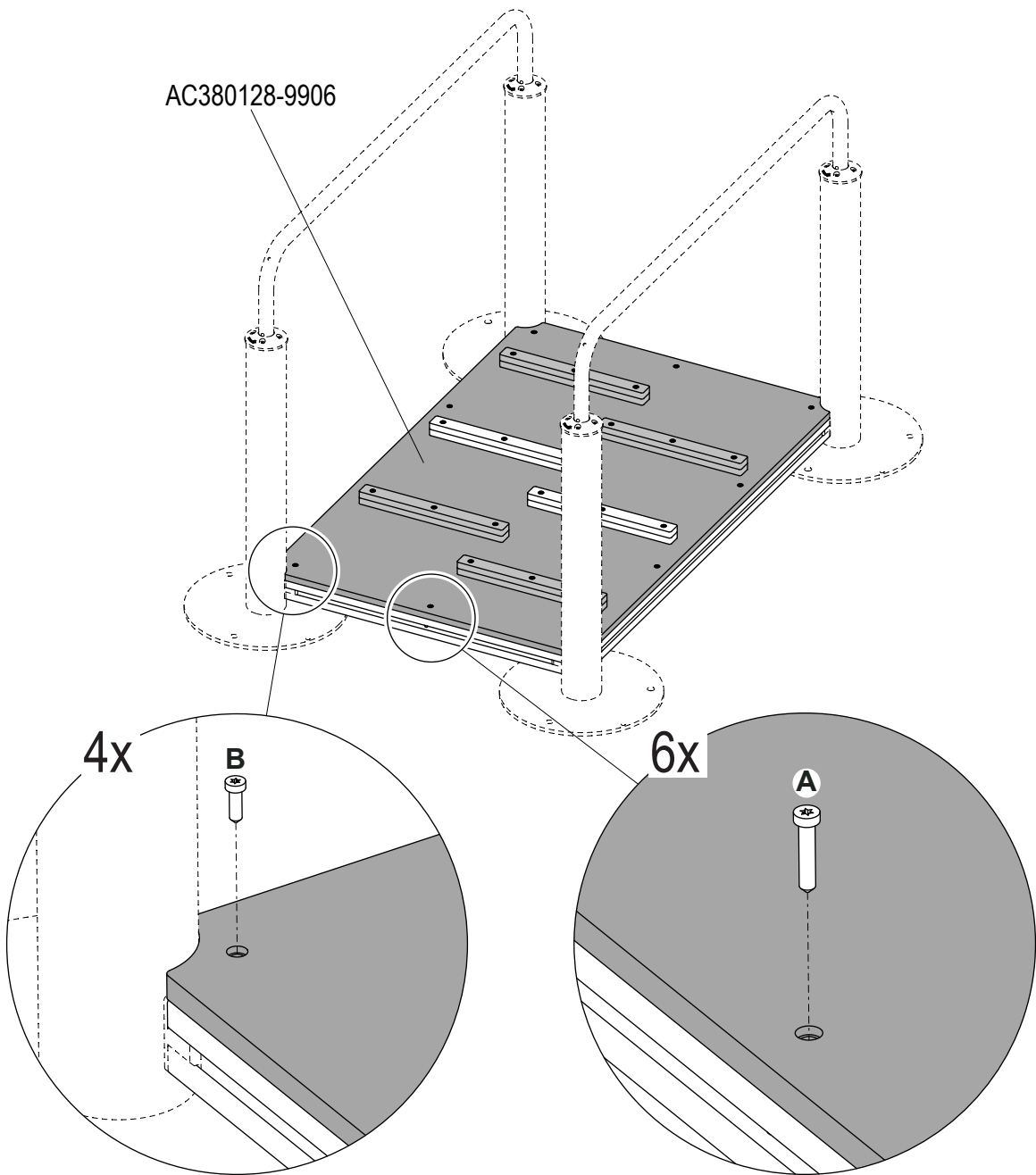
B



210100408025

CP824100-06

AC380128-9906



4x

B

6x

A



A



250100408040

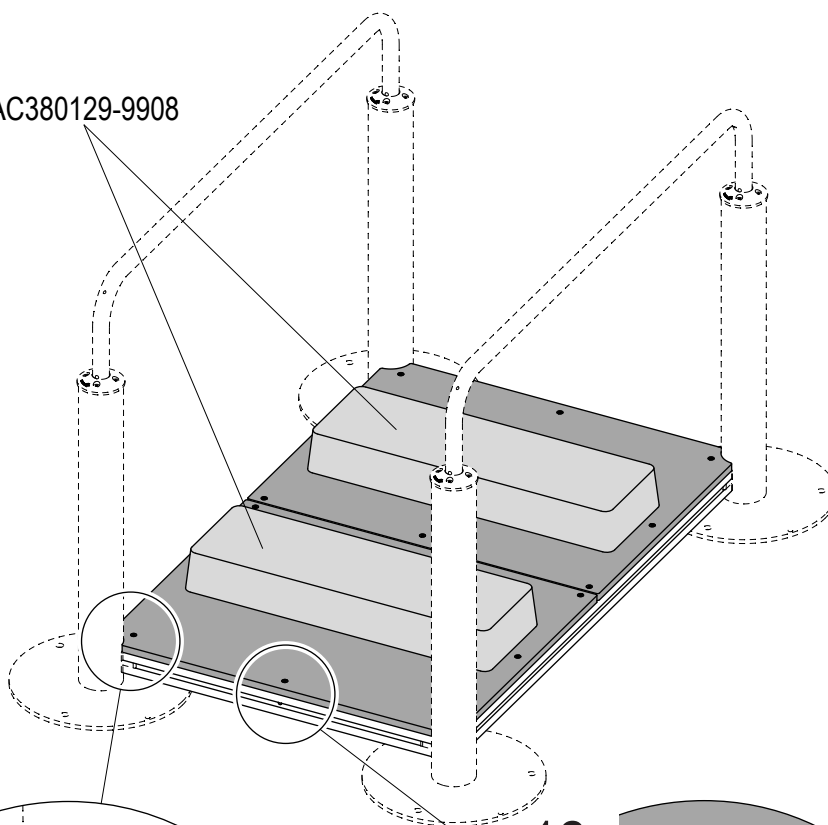
B



210100408025

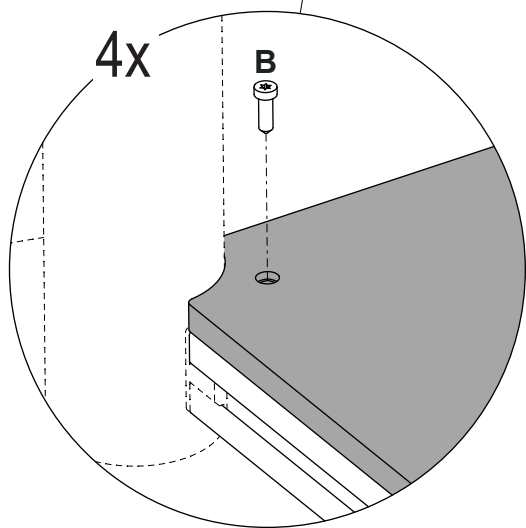
CP824200-08

AC380129-9908



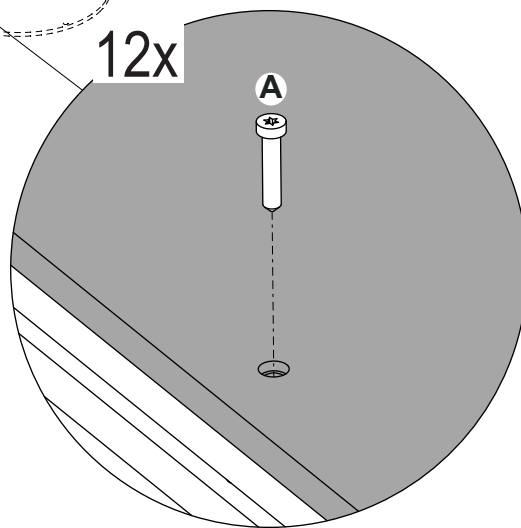
4x

B



12x

A





A



250100408040

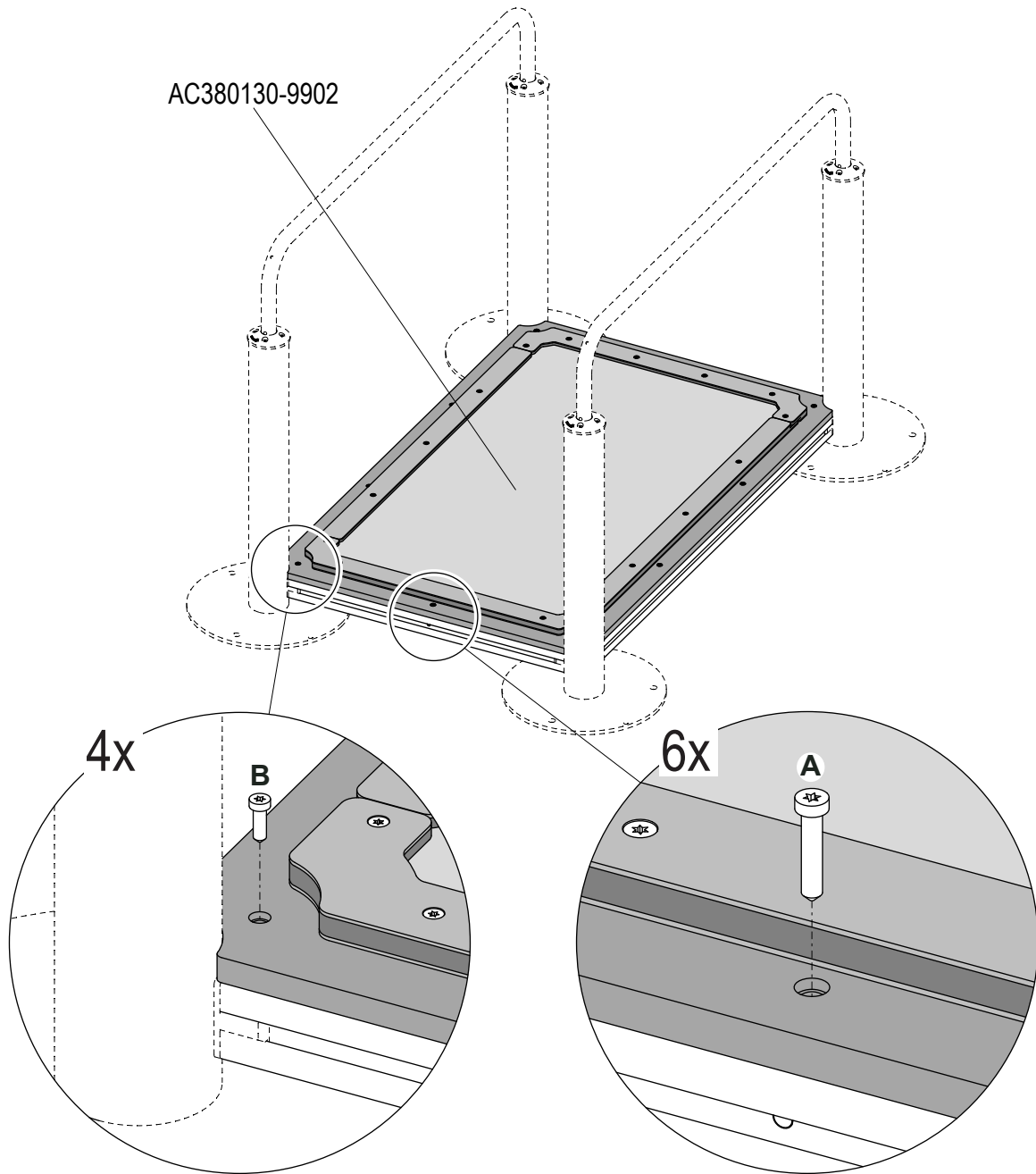
B



210100408025

CP824300-02

AC380130-9902





A



250100408040

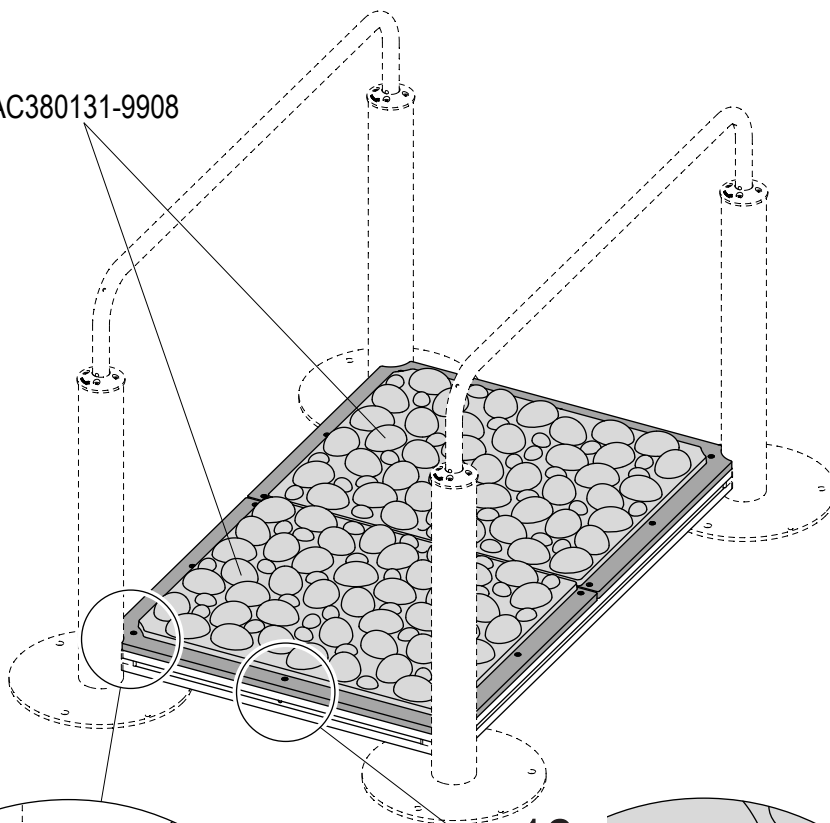
B



210100408025

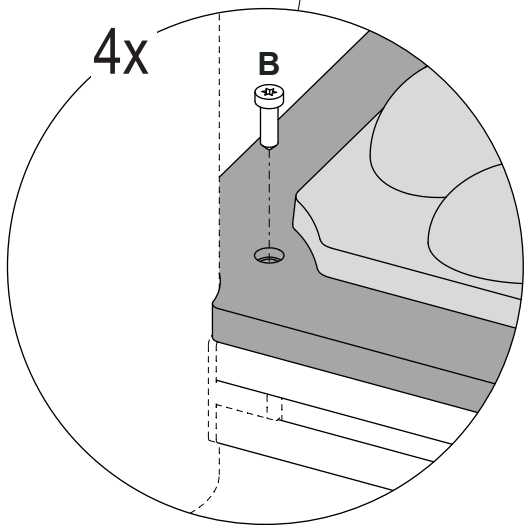
CP824400-08

AC380131-9908



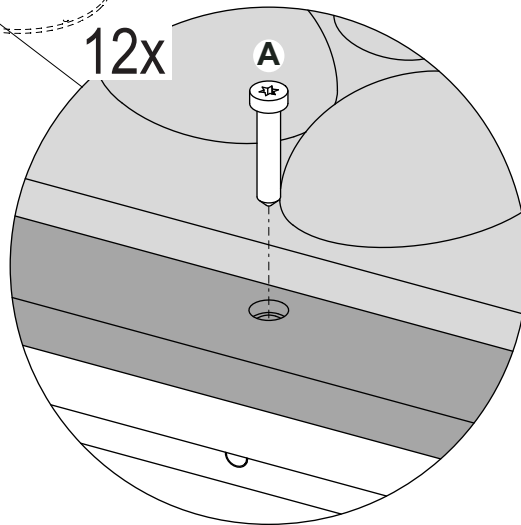
4x

B



12x

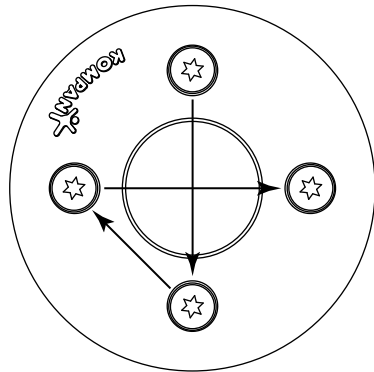
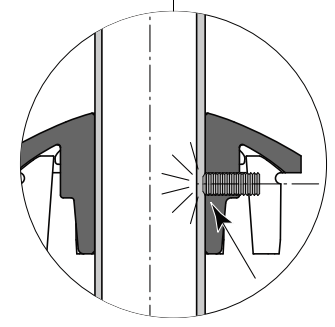
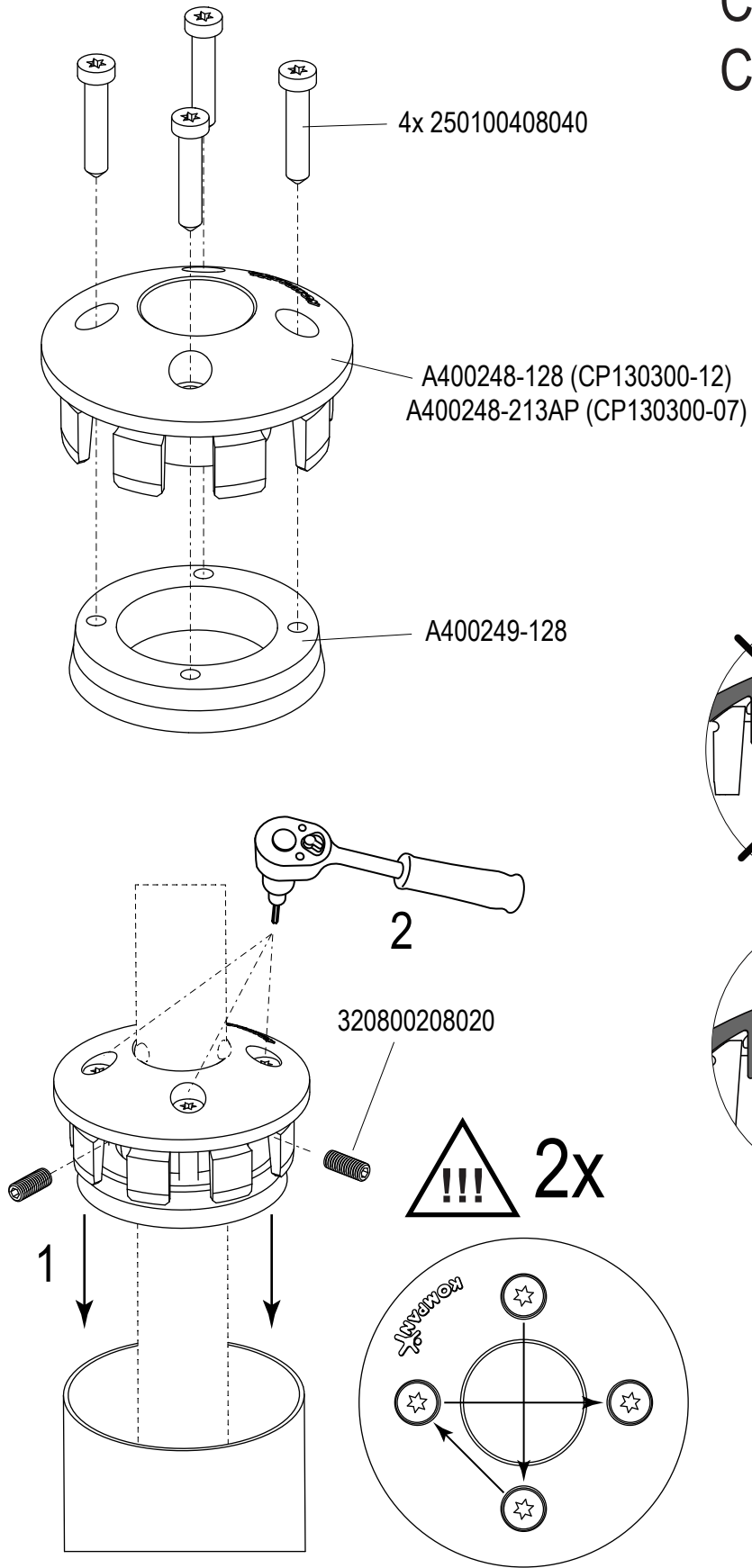
A



KOMPAN®

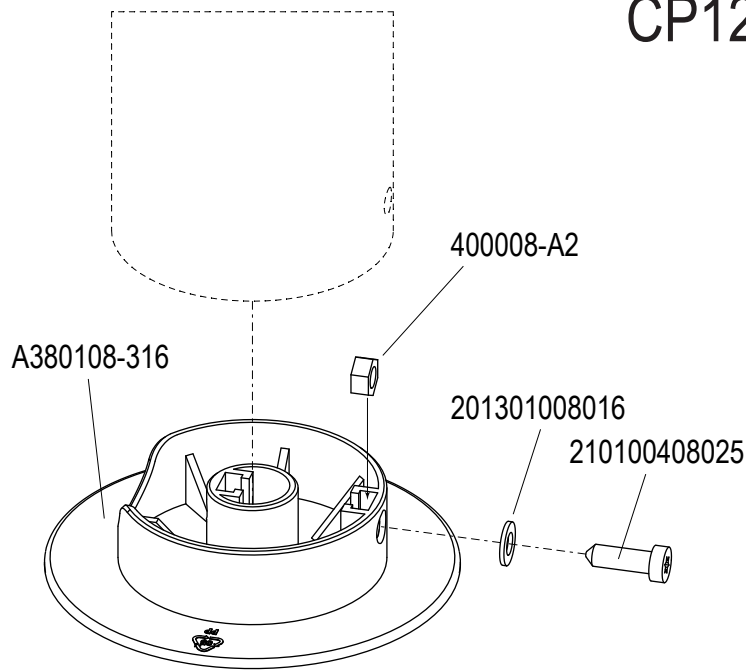
CP130300-07

CP130300-12

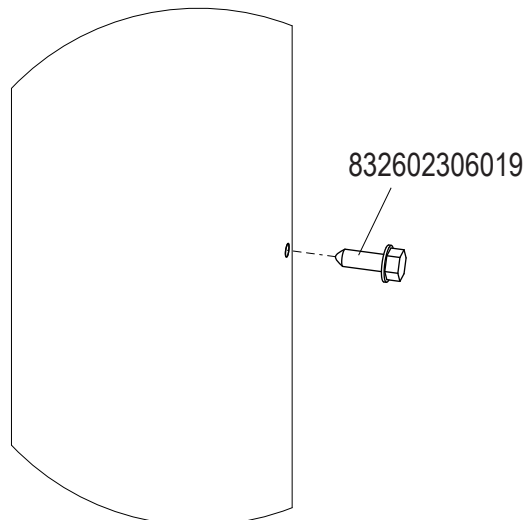


KOMPAN®

CP120900-10



Top of safety surface
Oberkante Fallschutzbelag
Surface du revêtement amortissant
Superficie del recubrimiento amortiguador
Livello del materiale ammortizzante
Bovenkant van veiligheidsondergrond
Överkant av fallunderlag
Overkant af faldunderlag
Turva-alustan pinta
Безопасный уровень монтажа



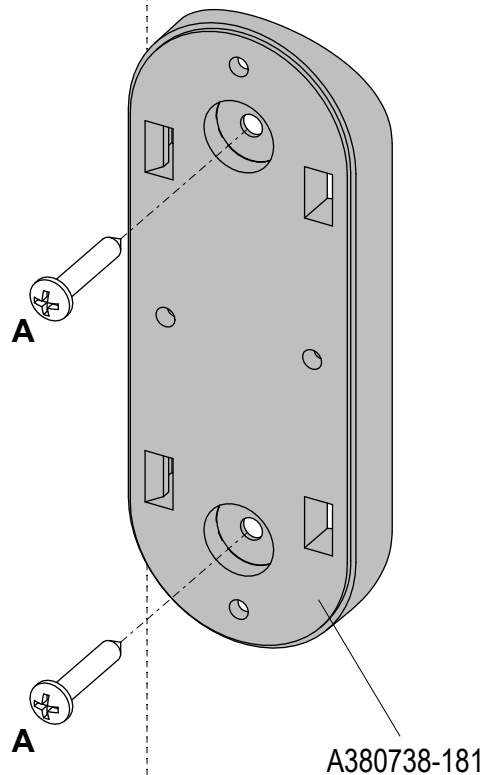
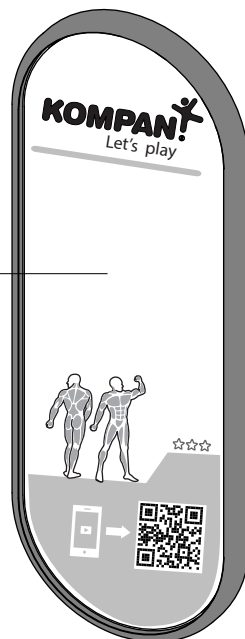
CP000500-12 - CP007000-12

A



833008705032

- | | |
|-----------------------------|-----------------------------|
| AC380695-9906 - CP000500-12 | AC380754-9906 - CP006800-12 |
| AC380696-9906 - CP000600-12 | AC380755-9906 - CP006900-12 |
| AC380697-9906 - CP000700-12 | AC380756-9906 - CP007000-12 |
| AC380698-9906 - CP000800-12 | AC380787-9906 - CP008900-12 |
| AC380699-9906 - CP000900-12 | AC380788-9906 - CP009000-12 |
| AC380700-9906 - CP001000-12 | AC380789-9906 - CP009100-12 |
| AC380701-9906 - CP001100-12 | AC380790-9906 - CP009200-12 |
| AC380702-9906 - CP001200-12 | AC380791-9906 - CP009300-12 |
| AC380703-9906 - CP001300-12 | AC380792-9906 - CP009400-12 |
| AC380704-9906 - CP001400-12 | AC380793-9906 - CP009500-12 |
| AC380705-9906 - CP002000-12 | AC380794-9906 - CP009600-12 |
| AC380706-9906 - CP002100-12 | AC380795-9906 - CP009700-12 |
| AC380707-9906 - CP002200-12 | AC380796-9906 - CP009800-12 |
| AC380708-9906 - CP002300-12 | AC380797-9906 - CP009900-12 |
| AC380709-9906 - CP002400-12 | |
| AC380710-9906 - CP002500-12 | |
| AC380711-9906 - CP002600-12 | |
| AC380712-9906 - CP002700-12 | |
| AC380713-9906 - CP002800-12 | |
| AC380714-9906 - CP002900-12 | |
| AC380715-9906 - CP003000-12 | |
| AC380716-9906 - CP003100-12 | |
| AC380717-9906 - CP003200-12 | |
| AC380718-9906 - CP003300-12 | |
| AC380720-9906 - CP003400-12 | |
| AC380719-9906 - CP003700-12 | |
| AC380721-9906 - CP003800-12 | |
| AC380722-9906 - CP003900-12 | |

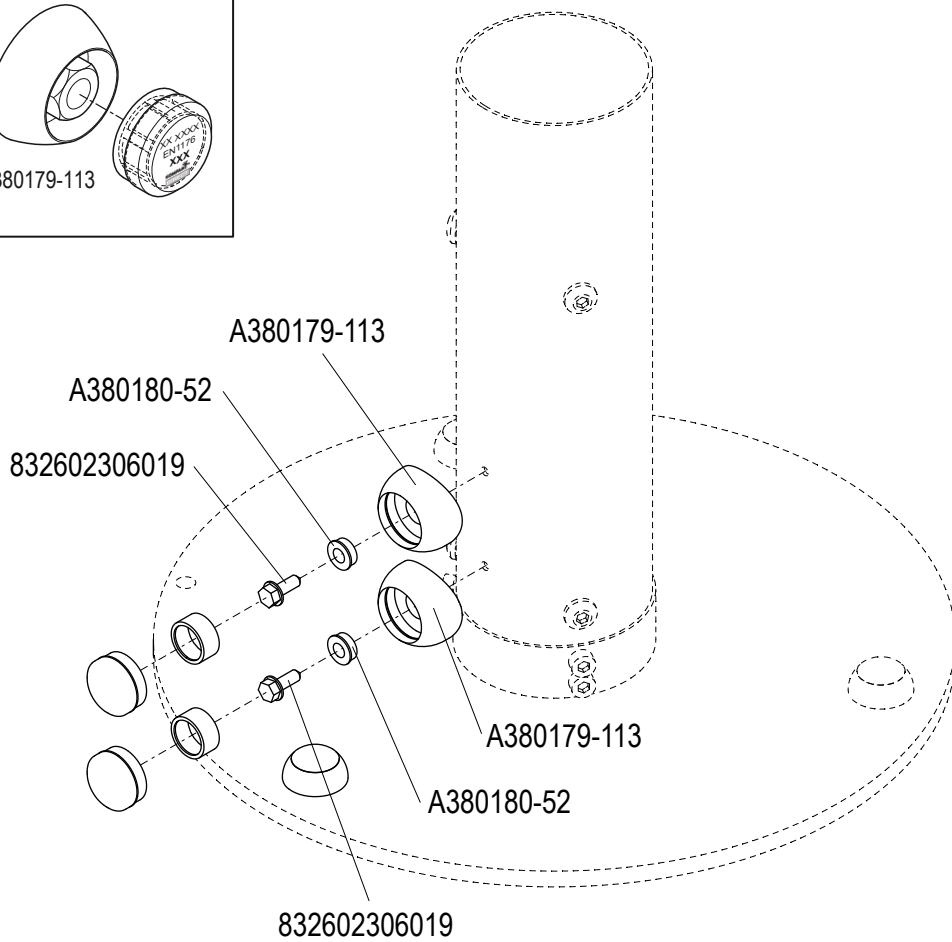
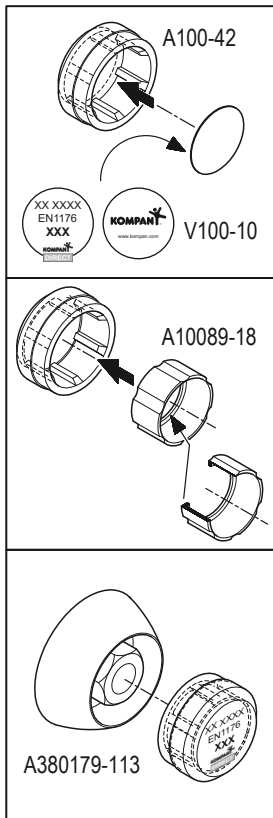


KOMPAN!

CP000400-07

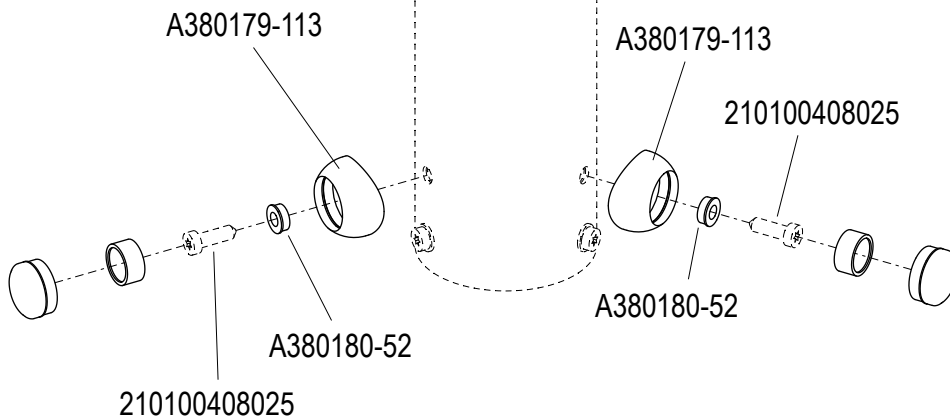
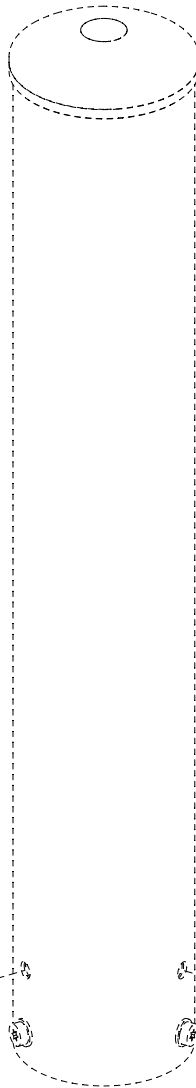
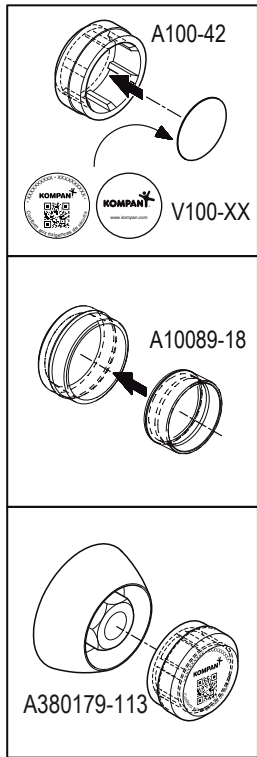
CP006400-07

CP007300-07



KOMPAN!

CP000100-07
 CP000200-07
 CP000300-07
 CP000360-07
 CP000400-07
 CP001600-07
 CP001700-07
 CP003600-07
 CP004000-07
 CP004100-07
 CP004200-07
 CP006600-07
 CP007100-07
 CP007200-07



For USA / Canada only:

Installation Instruction for Warning Labels

NOTE: IF FITNESS SITE REQUIRES COMPLIANCE
TO THE U.S. STANDARD ASTM F3101, INSTALLATION OF
THE WARNING LABEL IS MANDATORY.

Install the Label on your play structure such that it is visible from a distance of 8 feet and apparent to anyone approaching the structure. Select a smooth surface. The surface must be clean and dry to insure reliable adhesion.

If a label becomes unreadable for any reason, contact us to receive a new one free of charge.

KOMPAN, Inc.
930 Broadway
Tacoma, WA 98501
Tel: (800)426-9788 Fax: (360)943-6254

Uniquement destiné aux Etats-Unis et au Canada:

Instructions de pose des étiquettes d'avertissement

NOTE: SI VOTRE SITE DOIT ETRE EN CONFORMITE
AVEC LA NORME AMERICAINE ASTM F3101, L'INSTALLATION DE
L'ETIQUETTE D'AVERTISSEMENT EST OBLIGATOIRE.

Placez l' étiquette sur l' équipement de jeux de manière à ce qu'elle soit visible à partir d'une distance de 8 pieds et apparente à quiconque s'approche de l'équipement. La surface doit être propre et sèche afin d'assurer une bonne adhésion.

Si pour une raison quelconque une étiquette devient illisible, prière de nous contacter afin de recevoir une nouvelle étiquette gratuitement.

KOMPAN, Inc.
930 Broadway
Tacoma, WA 98501
Tél: (800)426-9788 Fax: (360)943-6254

Sólo para EE.UU. / Canadá:

Instrucciones de colocación de las etiquetas de advertencia

NOTA: SI SU ZONA DE RECREO TIENE QUE CUMPLIR LA NORMA ASTM F3101 ESTADOUNIDENSE, ENTONCES ES OBLIGATORIO COLOCAR LA ETIQUETA DE ADVERTENCIA.

Coloque la etiqueta en la estructura de juego de modo que sea visible a 8 pies (unos 2,5 m) de distancia y que sea apreciable para cualquiera que se acerque a la estructura. Elija una superficie lisa. La superficie debe estar limpia y seca para garantizar que se pegue bien.

Si por cualquier motivo una etiqueta ya no fuera legible, contacte con nosotros y le enviaremos una nueva gratis.

KOMPAN, Inc.
930 Broadway
Tacoma, WA 98501
Tel.: (800)426-9788 Fax: (360)943-6254

Outdoor Fitness Equipment

On outdoor fitness equipment we want to point out that according to EN 16630 it is the responsibility of the owner to provide information about:

- Emergency phone call number
- Address of the site
- Contact info - phone number or URL - to maintenance staff.

This information can either be available on a separate sign or it can be placed on the KOMPAN safety sign:

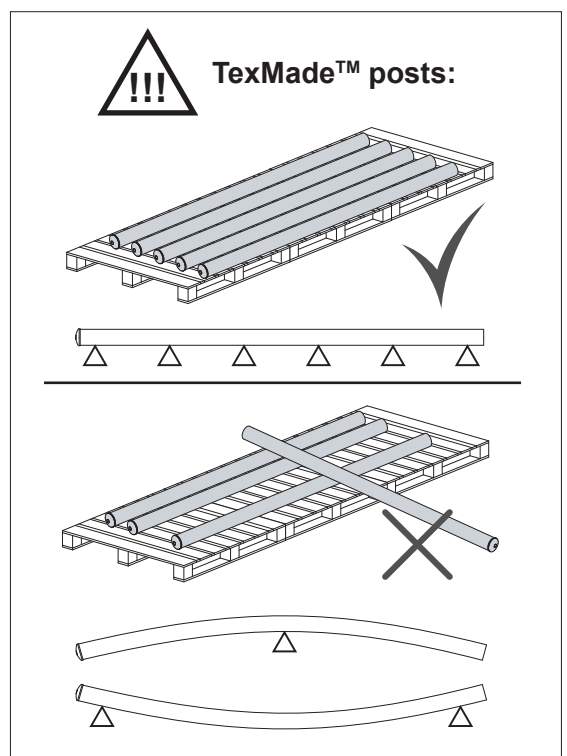
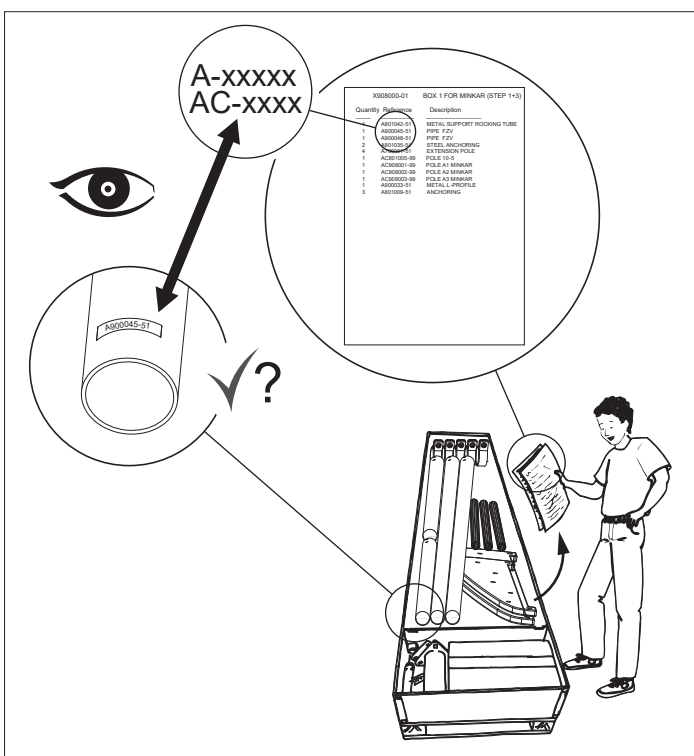
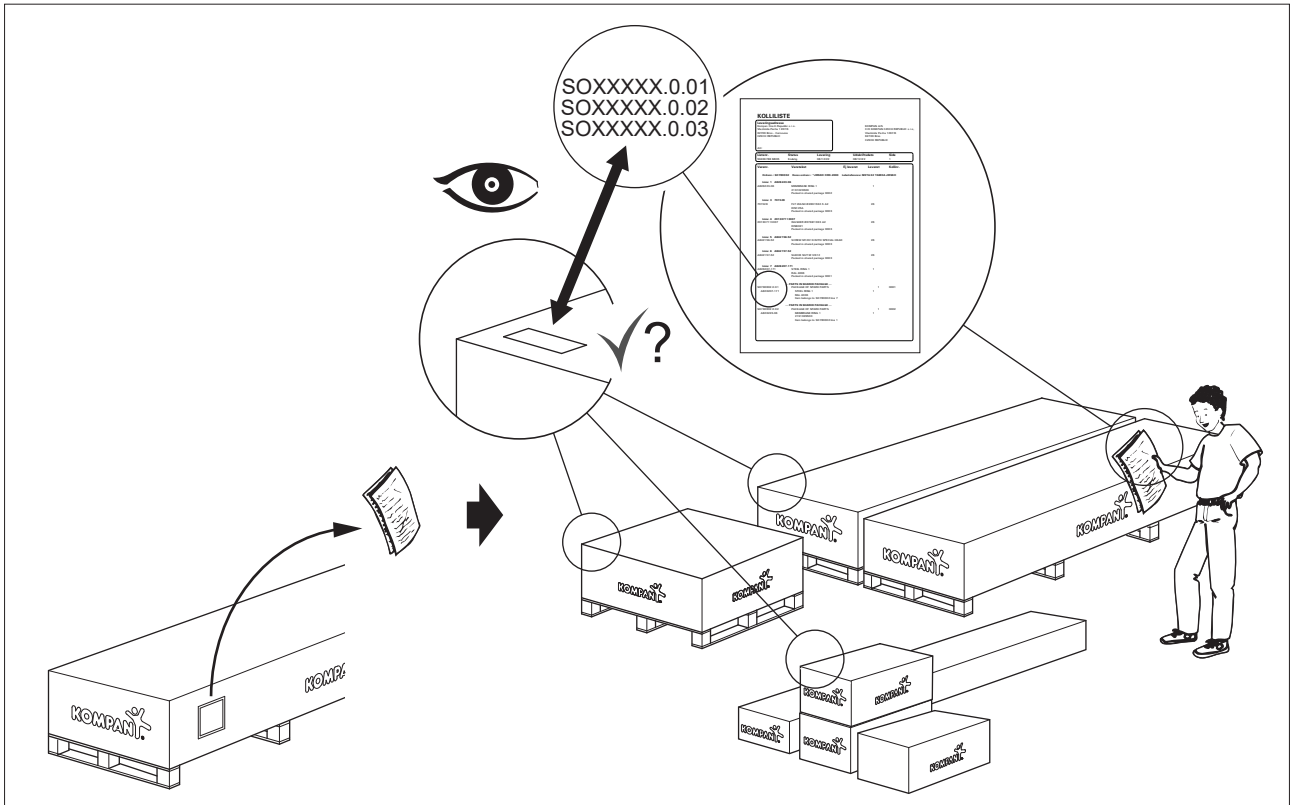
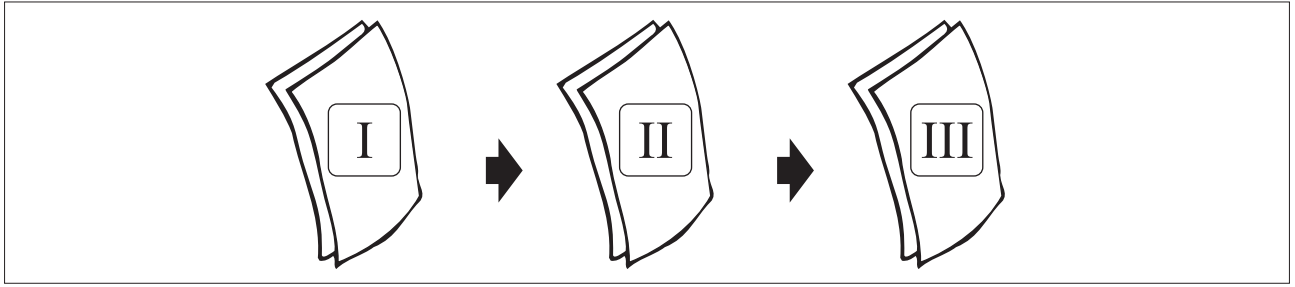
Welcome to KOMPAN Fitness Zone

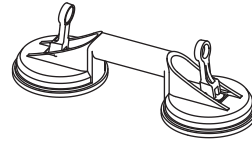
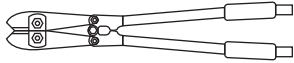
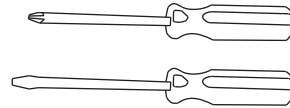
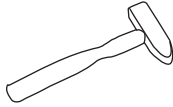
Please keep area clean and tidy out of respect for others. Thank you for visiting this KOMPAN fitness zone.

Age 13+ Caution: Not intended for children.

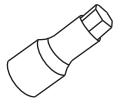
The KOMPAN training equipment should not be used if you are suffering from physiological problems. Avoid exaggerated physical exhaustion. In case of doubts please contact your doctor before use.

- Emergency number
- Site address
- Contact for maintenance





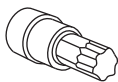
13 mm
16 mm
17 mm
19 mm



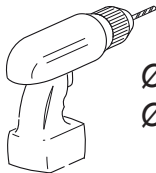
6 mm



25 Nm

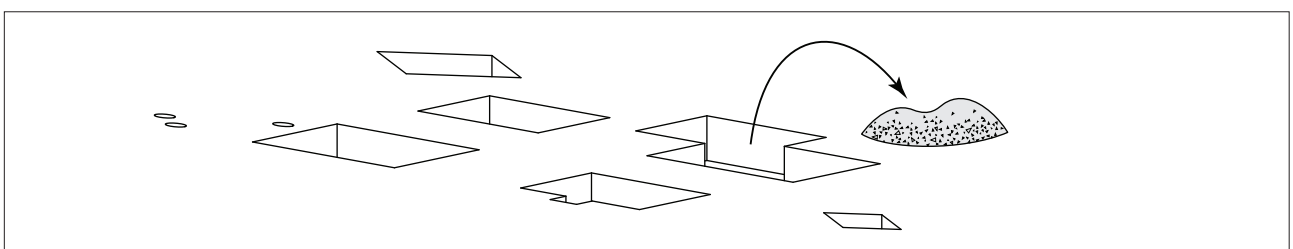
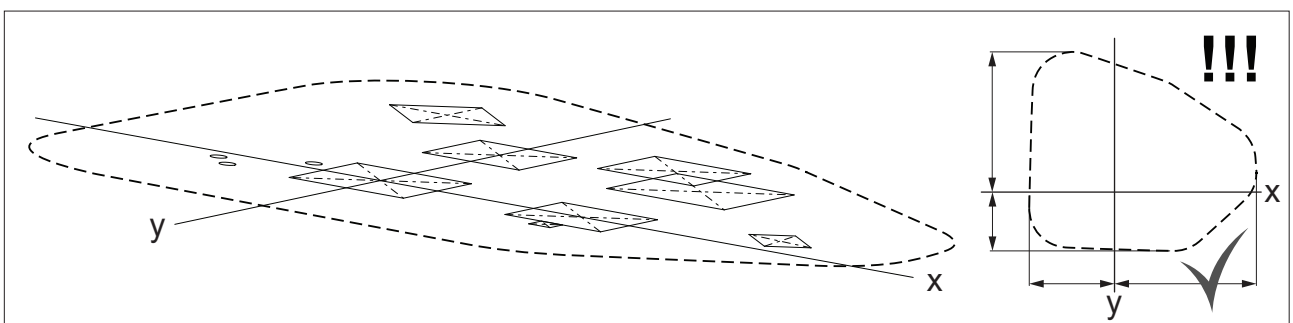
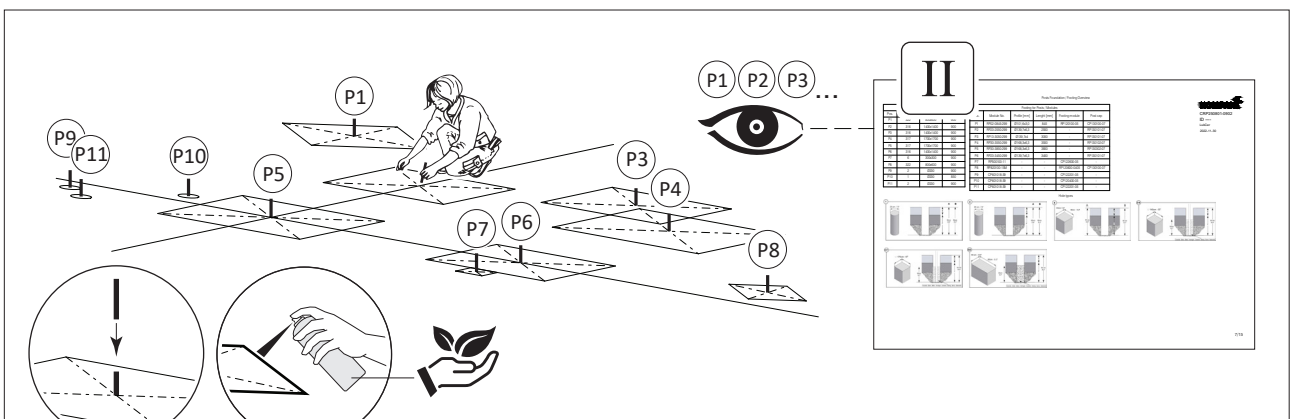
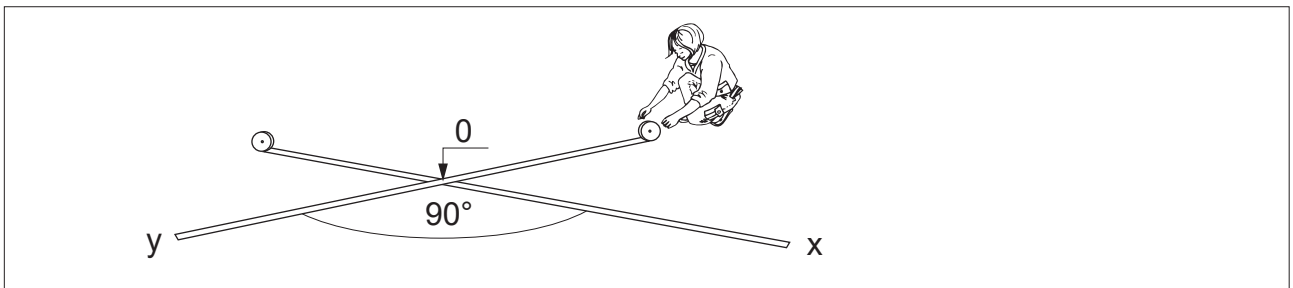
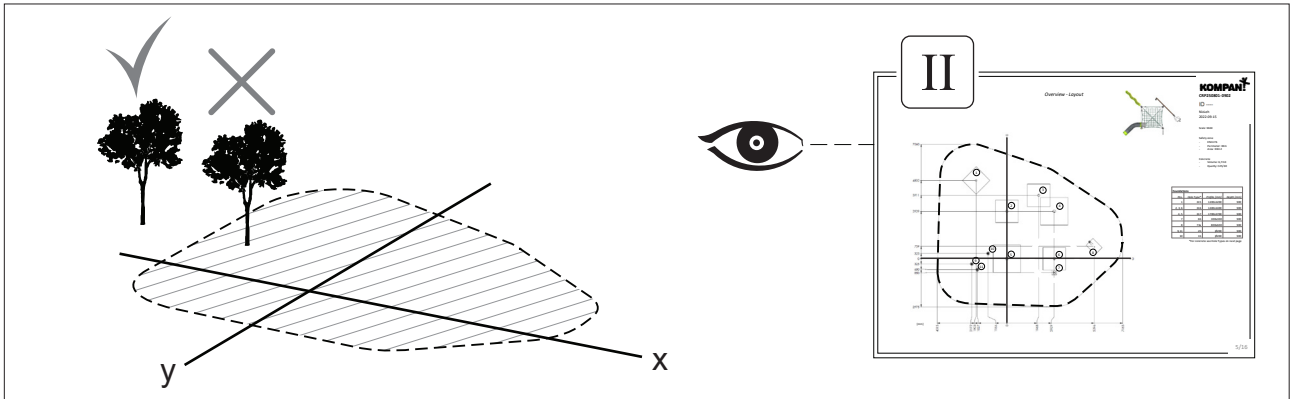


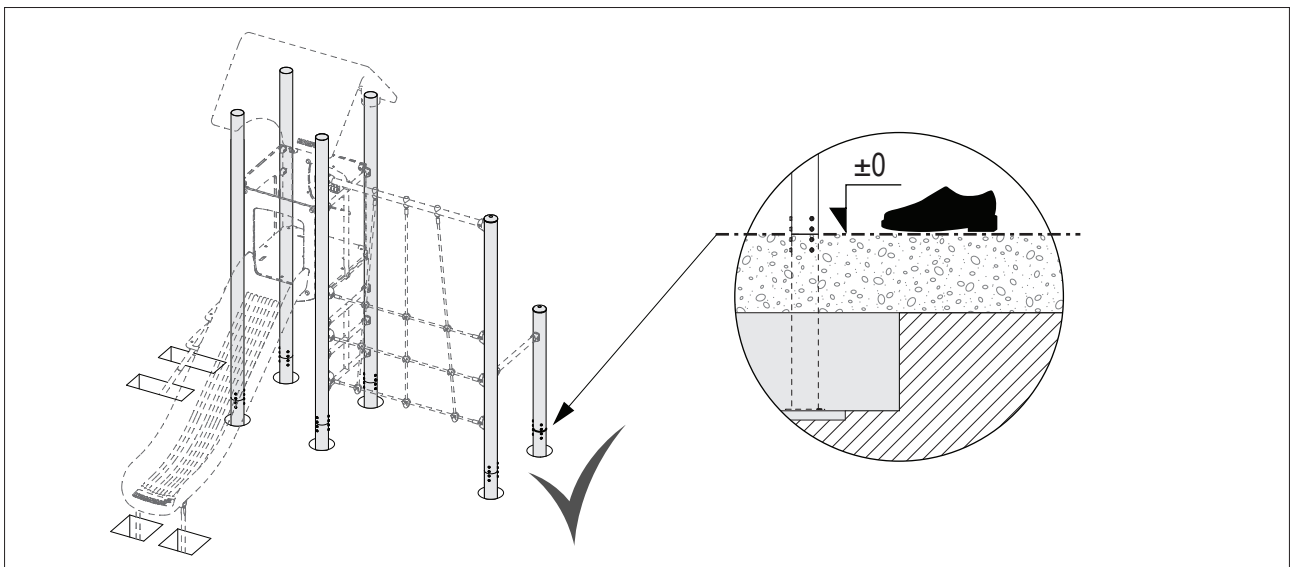
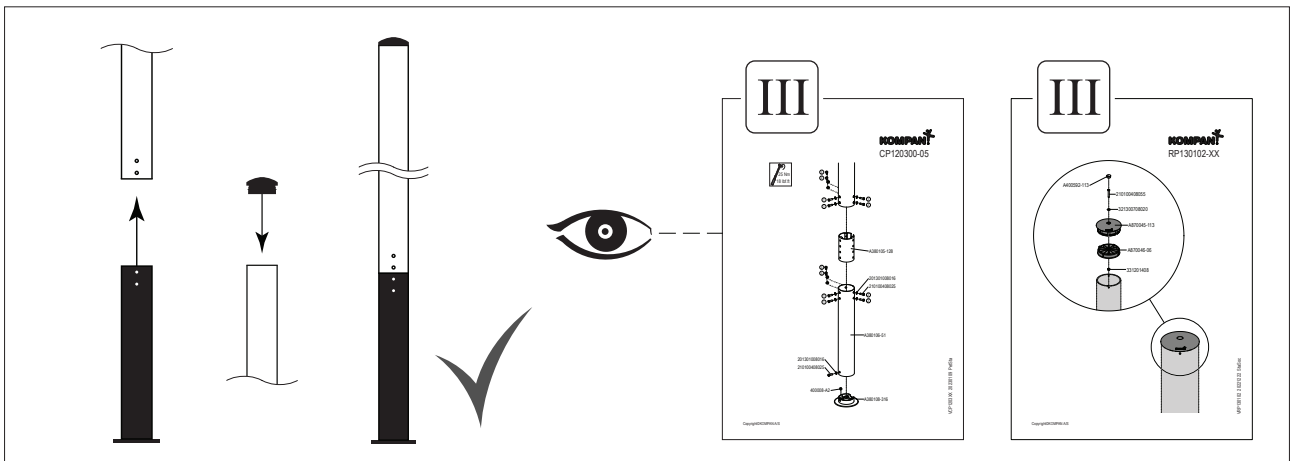
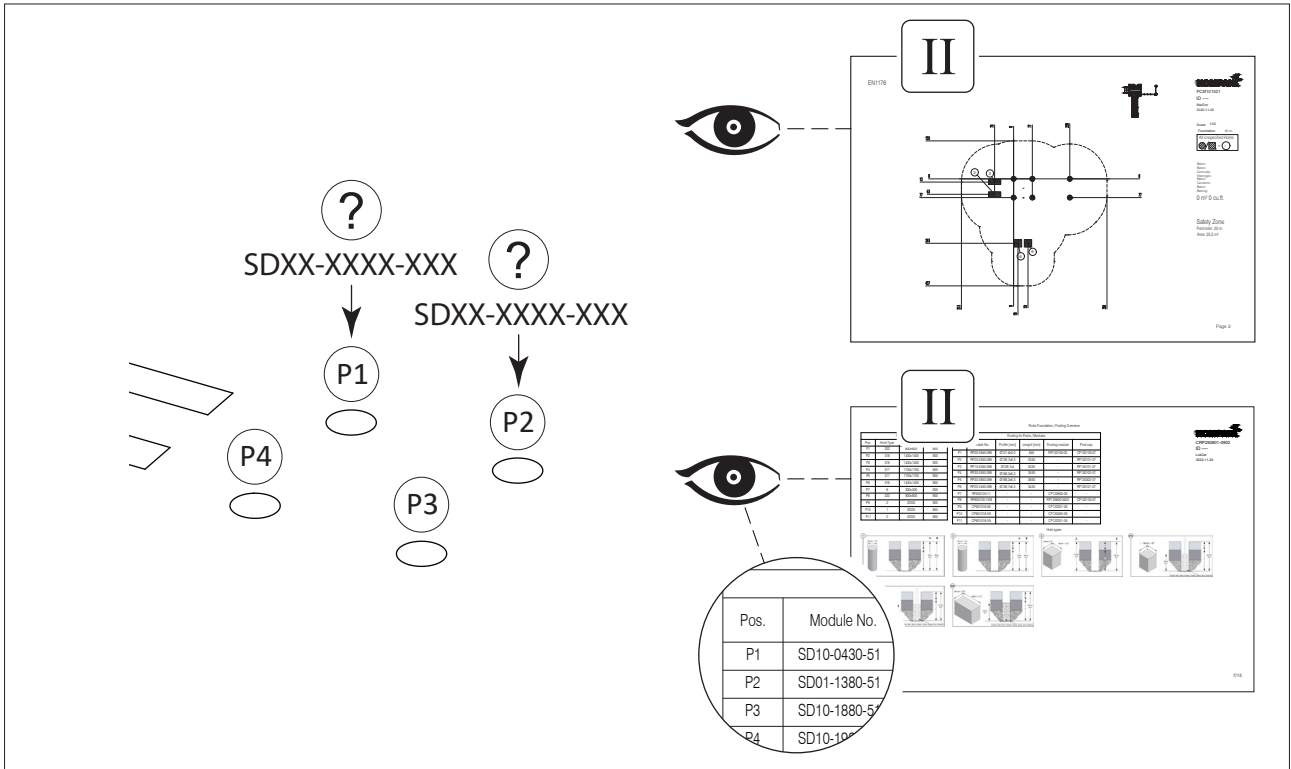
Tx40



Ø10mm
Ø14mm







1

II

Wählen/Selectieren/Seleccionar: Step 1

COMPAN! ID: CP100100-06
 Datum: 2022-11-08

III

COMPAN! CP100100-06

Nm
lbf.ft

2

II

Wählen/Selectieren/Seleccionar: Step 1

COMPAN! ID: CP400700-XX
 Datum: 2022-11-08

III

COMPAN! CP400700-XX

Nm
lbf.ft

3

II

Wählen/Selectieren/Seleccionar: Step 1

COMPAN! ID: CP500400-XX
 Datum: 2022-11-08

III

COMPAN! CP500400-XX

Nm
lbf.ft

4

II

Wählen/Selectieren/Seleccionar: Step 1

COMPAN! ID: CP601012-XX
 Datum: 2022-11-08

III

COMPAN! CP601012-XX

Nm
lbf.ft

