



02/13/2026

20731

Quote

To: A&E +SMA Architecture and Design
Chad Schreiner
124 N 29th Street
Suite 100
Billings, MT 59101
406-248-2633

Jim Laird: J & V Restaurant Supply
Derek Smith
544 East Mendenhall St.
PO Box 250, Bozeman, MT, 59771-0250
Bozeman, MT 59771-0250
406-587-9303
(406) 587-9303 (Contact)


Project: Amend Park Recreation Campus
Billings MT
5101 King Avenue East
Billings, MT 59101


Job Reference Number: 16658

Chad, Thanks for the opportunity to review and bid this project, looks like a very nice addition to the park. The specs provided vs the plan have a few issues, that combined with most of the project being alternates make it an interesting bid to say the least. Per item prices look like the best way to start and once alternates are chosen we can then add in the delivery and set in place. We're happy to VE this as well is that's necessary, I don't want to step on the consultant's toes but if it helps bring it in on budget then it is what it is. Please review and let me know how to proceed, we'd like the opportunity to work with A&E.


Thanks again
Jim laird
J&V

Item	Qty	Description	Sell	Sell Total
------	-----	-------------	------	------------



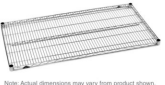
1	1 ea	REACH-IN REFRIGERATOR	\$4,341.32	<Alternate>
		 <p>Turbo Air TSR-23SD-N6(-L) Super Deluxe Refrigerator, reach-in, one-section, 19.03 cu. ft., self-contained, stainless steel front & side, galvanized back & top of the cabinet, stainless steel interior, right hinged solid door with recessed handle, LED interior lighting, (3) adjustable stainless steel wire shelves, exterior LED digital thermometer, door-open alarm beeps, self-diagnostic monitoring system, Turbo cooling, automatic fan motor delays, door pressure release device, self-cleaning condenser equipped, door locks, bottom mount compressor, R600a Hydrocarbon refrigerant, 1/8 HP, 115v/60/1-ph, 1.5 amps, (3 wire with ground), NEMA 5-15P, ETL-Sanitation, cETLus, ENERGY STAR®</p>		
	1 ea	Note: Contact factory representative for parts & accessories discounts		<Alternate>
	1 ea	5 year parts & labor warranty, standard		<Alternate>
	1 ea	7 year compressor warranty (self-contained only)		<Alternate>
	1 ea	Self-cleaning condenser device equipped, standard		<Alternate>
	1 ea	Left-hinged		<Alternate>
	1 st	Caster Set, swivel, locking front wheels, standard		<Alternate>
			Extended Total: <Alternate>	\$4,341.32

2	1 ea	HAND SINK	\$485.16	\$485.16
		 <p>Eagle Group HSA-10-F Hand Sink, wall mount, 13-1/2" wide x 9-3/4" front-to-back x 6-3/4" deep bowl, 304 stainless steel construction, splash mount gooseneck faucet, basket drain, deep-drawn seamless design-positive drain, inverted "V" edge, NSF</p>		
	1 ea	-LRS Left & right side splashes	\$375.57	\$375.57
			Freight: \$55.57	\$55.57
			Extended Total:	\$916.30

3	SPARE NO.			Spare
---	------------------	--	--	-------

4	1 ea	SHELVING, WALL MOUNTED	\$627.51	<Alternate>
		 <p>Eagle Group WS1072-16/3 Shelf, wall-mounted, 72"W x 10"D, rolled front edge, 1-1/2"H up-turn on sides & rear, includes stainless steel mounting brackets stud welded to shelf, 16/304 stainless steel construction, NSF</p>		
		Specs show 72"W, Floor plan shoes 60"W. Quoted 72"---Customer to advise		<Alternate>
			Freight: \$101.88	<Alternate>
			Extended Total: <Alternate>	\$729.39

Item	Qty	Description	Sell	Sell Total
5	1 ea	THREE (3) COMPARTMENT SINK Eagle Group 310-10-3-24 310 Series Convenience Store Sink, three compartment, 84"W x 21"D, (3) 10"W x 14"L x 9-3/4"D sink bowls, 24" drainboards on left & right, 9-1/2" backsplash with 1" upturn & tile edge, 2" euro-style edging on front & sides, 8" OC splash mount faucet holes, includes (3) basket drains, 304 stainless steel construction, galvanized legs & side crossbracing, adjustable bullet feet, NSF	\$2,513.16	\$2,513.16
			Freight: \$694.64	\$694.64
			Extended Total:	\$3,207.80
5.1	1 ea	WALL / SPLASH MOUNT FAUCET Fisher 13290 Faucet, backsplash mount, 8" centers, 10" swing spout, lever handles with color coded indexes, 1/2" NPT male inlets, brass, CSA, ADA Compliant	\$214.34	\$214.34
			Freight: \$16.58	\$16.58
			Extended Total:	\$230.92
6	1 ea	MOP BROOM HOLDER Eagle Group US0824-16/3 Utility Shelf with Mop Hanger, 24"W x 8"D, includes mop hangers & hooks for clothes, 16/304 stainless steel construction	\$475.80	\$475.80
			Freight: \$64.83	\$64.83
			Extended Total:	\$540.63
7	1 ea	MOP SINK Zurn Industries Z1996-24	\$328.43	\$328.43
			Freight: \$156.25	\$156.25
			Extended Total:	\$484.68
7.1	1 ea	SERVICE FAUCET Fisher 82530 Service Sink Faucet, wall mount mixing faucet with 8" adjustable centers, EZ Install adapters, 6" spout with garden hose outlet, vacuum breaker, lever handles, 1/2" inlets	\$306.38	\$306.38
			Freight: \$25.20	\$25.20
			Extended Total:	\$331.58

Item	Qty	Description	Sell	Sell Total
7.2	1 ea	HOSE BIB FAUCET Fisher 29550 Sill Faucet, 1/2" F inlet, 3/4" hose thread, vacuum breaker, lever style handle, includes hot & cold index buttons	\$163.88	\$163.88
				
			Freight:	\$7.46
			Extended Total:	\$171.34
7.3	1 ea	VACUUM BREAKER ASSEMBLY Fisher 14540 Pressure Vacuum Breaker, 1/2" F inlet and outlet, wall-mounted, anti-spill	\$933.97	\$933.97
				
			Freight:	\$13.26
			Extended Total:	\$947.23
8-11		SPARE NO.		Spare
12	5 ea	WIRE SHELVING Metro 2442BR Super Erecta® Shelf, wire, 42"W x 24"D, Brite (zinc) finish, plastic split sleeves are included in each carton, NSF	\$63.84	<Alternate>
				
	4 ea	74P Quick Ship - Super Erecta® SiteSelect™ Post, 74-1/2"H, adjustable leveling bolt, posts are grooved at 1" increments & numbered at 2" increments, double grooved every 8", chrome finish Specs call out 4 shelves elevation plan shows 5, we bid 5 shelves per spec	\$20.28	<Alternate>
			Freight:	\$20.13
			Extended Total:	<Alternate>
				\$500.95

Item	Qty	Description	Sell	Sell Total
13	1 ea	REACH-IN FREEZER Turbo Air TSF-35SDN-N Super Deluxe Freezer, reach-in, two-section, 29.19 cu. ft., self-contained, stainless steel front & side, galvanized back & top of the cabinet, stainless steel interior, (2) solid hinged doors with recessed handle, (6) adjustable stainless steel wire shelves, exterior LED digital thermometer, door-open alarm beeps, self-diagnostic monitoring system, smart defrost, automatic fan motor delays, door pressure release device, LED interior lighting, self-cleaning condenser equipped, door locks, bottom mount compressor, R290 Hydrocarbon refrigerant, 2/3 HP, 115v/60/1-ph, 5.4 amps, NEMA 5-15P, cETLus, ETL-Sanitation, ENERGY STAR®	\$7,248.55	<Alternate>
	1 ea	Note: Contact factory representative for parts & accessories discounts		<Alternate>
	1 ea	5 year parts & labor warranty, standard		<Alternate>
	1 ea	7 year compressor warranty (self-contained only)		<Alternate>
	1 ea	Self-cleaning condenser device equipped, standard		<Alternate>
	1 st	Caster Set, swivel, locking front wheels, standard		<Alternate>
			Extended Total: <Alternate>	\$7,248.55
14	1 ea	REACH-IN FREEZER Turbo Air TSF-49SD-N Super Deluxe Freezer, reach-in, two-section, 39.9 cu. ft., self-contained, stainless steel front & side, galvanized back & top of the cabinet, stainless steel interior, (2) solid hinged doors with recessed handles, (6) adjustable stainless steel wire shelves, exterior LED digital thermometer, door-open alarm beeps, self-diagnostic monitoring system, smart defrost, automatic fan motor delays, door pressure release device, LED interior lighting, self-cleaning condenser equipped, door locks, bottom mount compressor, R290 Hydrocarbon refrigerant, 2/3 HP, 115v/60/1-ph, 5.5 amps, NEMA 5-15P, cETLus, ETL-Sanitation, ENERGY STAR®	\$8,054.21	<Alternate>
	1 ea	Note: Contact factory representative for parts & accessories discounts		<Alternate>
	1 ea	5 year parts & labor warranty, standard		<Alternate>
	1 ea	7 year compressor warranty (self-contained only)		<Alternate>
	1 ea	Self-cleaning condenser device equipped, standard		<Alternate>
	1 st	Caster Set, swivel, locking front wheels, standard		<Alternate>
			Extended Total: <Alternate>	\$8,054.21

Item	Qty	Description	Sell	Sell Total
15	1 ea	REACH-IN REFRIGERATOR Turbo Air TSR-49SD-N6 Super Deluxe Refrigerator, reach-in, two-section, 42.69 cu. ft., self-contained, stainless steel front & side, galvanized back & top of the cabinet, stainless steel interior, (2) hinged solid doors with recessed handles, LED interior lighting, (6) adjustable stainless steel wire shelves, exterior LED digital thermometer, door-open alarm beeps, self-diagnostic monitoring system, Turbo cooling, automatic fan motor delays, door pressure release device, self-cleaning condenser equipped, door locks, bottom mount compressor, R600a Hydrocarbon refrigerant, 1/5 HP, 115v/60/1-ph, 2.3 amps, NEMA 5-15P, cETLus, ETL-Sanitation, ENERGY STAR®	\$6,153.76	<Alternate>
	1 ea	Note: Contact factory representative for parts & accessories discounts		<Alternate>
	1 ea	5 year parts & labor warranty, standard		<Alternate>
	1 ea	7 year compressor warranty (self-contained only)		<Alternate>
	1 ea	Self-cleaning condenser device equipped, standard		<Alternate>
	1 st	Caster Set, swivel, locking front wheels, standard		<Alternate>
			Extended Total: <Alternate>	\$6,153.76
16	5 ea	WIRE SHELVING Metro 2436BR Super Erecta® Shelf, wire, 36"W x 24"D, Brite (zinc) finish, plastic split sleeves are included in each carton, NSF	\$52.73	<Alternate>
	4 ea	74P Quick Ship - Super Erecta® SiteSelect™ Post, 74-1/2"H, adjustable leveling bolt, posts are grooved at 1" increments & numbered at 2" increments, double grooved every 8", chrome finish This item is missing from the 11400 specifications, it is in the plan and elevation so we bid it as an alternate	\$20.28	<Alternate>
			Freight: \$18.25	<Alternate>
			Extended Total: <Alternate>	\$436.00
17		SPARE NO.		Spare
18	4 ea	WIRE SHELVING Metro 1448BR Quick Ship - Super Erecta® Shelf, wire, 48"W x 14"D, Brite (zinc) finish, plastic split sleeves are included in each carton, NSF	\$45.05	<Alternate>
	8 ea	SW23C Super Erecta® Wall Mounts, 14" shelf depth, End Unit, chrome plated finish (consists of (2) posts with brackets & single supports for each shelf), post-type (2) tier, post #33PDF Specification calls for 4 shelves and 4 wall brackets, elevation appears to show 8 brackets, we bid per elevation for complete unit per elevation	\$190.02	<Alternate>
			Freight: \$49.78	<Alternate>
			Extended Total: <Alternate>	\$1,899.48
19-20		SPARE NO.		Spare

Item	Qty	Description	Sell	Sell Total
21	1 ea	DROP-IN SINK Eagle Group SR14-16-9.5-1 Self-Rimming Drop-In Sink, one compartment, 14" wide x 16" front-to-back x 9-1/2" deep bowl, 4" OC deck mount faucet with gooseneck spout (302004), includes basket drain, 20/304 stainless steel construction, NSF		<NIC>
	1 ea	Faucet hole punched on 4" centers, standard		<NIC>
	1 ea	313306 T&S Faucet, deck mount, 4" OC, 8" swing spout, low lead		<NIC>
		This item appears to be omitted from the updated drawings. Please confirm with the consultant whether this sink is needed.		<NIC>
22	1 ea	SODA BIB Custom		<By Purveyor>
23	1 ea	SHELVING, WALL MOUNTED Eagle Group SWS1224-16/3 Snap-n-Slide® Shelf, wall-mounted, 24"W x 12"D, rolled front edge, 1-1/2"H up-turn on sides & rear, stainless steel wall brackets mount to wall studs (no wall backing required), 90 lbs. weight capacity, 16/304 stainless steel construction, NSF		<By Owner>
24	1 ea	CARBONATOR Custom		<By Purveyor>
25	1 ea	WATER FILTRATION SYSTEM, FOR ICE MACHINES Manitowoc AR-40000-P Arctic Pure® Plus Primary Water Filter Assembly, includes head, shroud, hardware, mounting assembly, & (1) filter cartridge, 40,000 gallon capacity, 1,001-2,500 lbs./ice per day	\$479.46	<Alternate>
			Freight: \$261.30	<Alternate>
			Extended Total: <Alternate>	\$740.76

Item	Qty	Description	Sell	Sell Total
26	1 ea	ICE MAKER, CUBE-STYLE Manitowoc IYP1000A Indigo NXT™ Series Ice Maker, cube-style, water-cooled, self-contained condenser, 30"W x 24.5"D x 29.5"H, production capacity up to 971 lb/24 hours 70°/50° (781 lb AHRI certified at 90°/70°), easyTouch display with 13 different language options, date/time stamp display, automatic reminder/alert icon, one touch asset information, automatic detection of accessories, continuous operating status, programmable production options (time, weight, day or night), one touch cleaning with displayed instructions, Alpha-San anti-microbial protection, acoustical ice sensing probe, self-diagnostic technology, DuraTech™ exterior, dice size cubes, R290 refrigerant, NSF, cULus, CE	\$7,872.61	<Alternate>
	1 ea	WARRANTY-ICE-SC 3 year parts & labor (Machine), 5 year parts & labor (Evaporator), 5 year parts & 3 years labor (Compressor), standard		<Alternate>
	1 ea	(-251) 208-230v/50/1-ph	\$394.08	<Alternate>
	1 ea	Note: An additional charge of \$165.00 is added to this order if this ice machine is exported outside the US or Canada for a startup & inspection fee.		<Alternate>
		Freight:	\$375.00	<Alternate>
		Extended Total:	<Alternate>	\$8,641.69
27	1 ea	ICE BIN FOR ICE MACHINES Manitowoc D570 Ice Bin, 30"W x 34"D x 50"H, with side-hinged front-opening door, side grips, 532 lbs. application capacity, AHRI certified 17.9 cu. ft., for top-mounted ice maker, Duratech exterior, NSF	\$1,886.88	<Alternate>
	1 ea	WARRANTY-BIN/DISP 3 year parts & labor warranty, standard		<Alternate>
	1 ea	Legs, 6" adjustable stainless steel, standard		<Alternate>
		Freight:	\$215.63	<Alternate>
		Extended Total:	<Alternate>	\$2,102.51
28	1 ea	WORK CENTER Eagle Group T3060EBW AdjusTable® Work Surface System, basic unit, 60"W x 30"D x 33-1/2"H, 16/304 stainless steel top/work surface, (2) adjustable chrome wire undershelves with Quad-Truss® design, chrome posts grooved in 1" increments, NSF	\$976.17	<Alternate>
		Freight:	\$402.89	<Alternate>
		Extended Total:	<Alternate>	\$1,379.06
29-30		SPARE NO.		Spare

Item	Qty	Description	Sell	Sell Total
31	1 ea	MULTI-COOK OVEN Alto-Shaam VMC-H3 Vector® H Series Multi-Cook Oven, electric, (3) individually controlled cooking chambers, (3) half-size sheet pan capacity, programmable touch screen controls with Structured Air Technology®, double pane glass door, interior LED cavity lighting, ventless catalytic converter, includes: (1) wire rack & (2) jet plates per cooking chamber, USB port, stainless steel construction, 4" adjustable legs, cULus, UL EPH Classified, Made in USA	\$13,325.93	<Alternate>
	1 ea	NOTE: Subject to Manufacturer's Terms & Conditions. See Documents Section		<Alternate>
	1 ea	One year parts and labor warranty, standard		<Alternate>
	1 ea	208-240v/60/1-ph, 7.9-10.3 kW, 38.0-43.0 amps, NEMA 6-50		<Alternate>
	1 ea	Simple controls, standard		<Alternate>
	1 ea	Left-hand hinged door		<Alternate>
	1 ea	PN-39135 Grill Pan, 11" x 16", for Vector Series Ovens	\$132.69	<Alternate>
	1 ea	5033865 14" Pizza Kit: 14" Pizza screen, 14" Pizza disk, 9.25" Nesting deep dish pan, 6.25" Nesting deep dish pan, Pan gripper, Pizza peel, Grill pan	\$489.77	<Alternate>
	1 ea	Feet, 4" for VMC-H Series, standard		<Alternate>
	3 kt	5027119 Grease Filter Kit, for Vector H/HH models (Note: one kit required per chamber)	\$181.15	<Alternate>
		Freight:	\$955.35	<Alternate>
		Extended Total:	<Alternate>	\$15,447.19
32	1 ea	WORKTOP FREEZER Turbo Air TWF-48SD-D2-N Super Deluxe Worktop Freezer, two-section, 12.0 cu. ft., self-cleaning condenser equipped, (1) stainless steel door with recessed handle, (2) stainless steel drawers with recessed handles, accommodates pans up to 6" deep, capacity: (2) 1/3 size pans or (4) 1/6 size pans per drawer (NOT included), stainless steel interior & exterior, (1) stainless steel wire shelf, self-contained rear mounted refrigeration system, R290 Hydrocarbon refrigerant, 1/3 HP, 115v/60/1-ph, 2.8 amps, NEMA 5-15P, cETLus, ETL-Sanitation	\$6,178.05	<Alternate>
	1 ea	5 year parts & labor warranty, standard		<Alternate>
	1 ea	7 year compressor warranty (self-contained only)		<Alternate>
	1 ea	Self-cleaning condenser device equipped, standard		<Alternate>
	1 ea	Drawer pan support bars included, standard		<Alternate>
	1 st	Caster Set, swivel, locking front wheels, standard		<Alternate>
		Extended Total:	<Alternate>	\$6,178.05

Item	Qty	Description	Sell	Sell Total
33	1 ea	COUNTERTOP PORTION STEAMER Nemco Food Equipment 6600 Super Shot Countertop Steamer, electric, 1/2 size pan, push-button operation, on/off rocker switch, self-contained water reservoir, 30 minute preheat, powder coated top, cast aluminum well, 300-series stainless steel exterior, 120v/60/1-ph, 1800 watts, 15 amps, NEMA 5-15P, ETL	\$2,473.80	<Alternate>
			Freight: \$43.75	<Alternate>
			Extended Total: <Alternate>	\$2,517.55
34	1 ea	SANDWICH / SALAD PREPARATION REFRIGERATOR Turbo Air MST-28-N M3 Series Sandwich/Salad Unit, one-section, rear mount self-contained compressor, 7.0 cu. ft., 8-pan top opening with hood, (1) field reversible swing door, (1) adjustable PE coated wire shelf, 9-1/2" deep cutting board with side rail, digital temperature control, self-cleaning condenser, cold bunker system, stainless steel top, front & sides (galvanized steel back & bottom), aluminum interior, stainless steel floor & ABS door liner, LED interior lighting & fan control, R290 Hydrocarbon refrigerant, 1/5 HP, 115v/60/1-ph, 3.8 amps, NEMA 5-15P, cETLus, ETL-Sanitation	\$2,735.98	<Alternate>
	1 ea	Note: Contact factory representative for parts & accessories discounts		<Alternate>
	1 ea	5 year parts & labor warranty, standard		<Alternate>
	1 ea	7 year compressor warranty (self-contained only)		<Alternate>
	1 ea	Self-cleaning condenser device equipped, standard		<Alternate>
	1 ea	1/6 size, 4" deep condiment pan & pan dividers included, standard		<Alternate>
	1 st	Caster Set, swivel, locking front wheels, standard		<Alternate>
			Extended Total: <Alternate>	\$2,735.98
35/37	2 ea	MICROWAVE OVEN, SHELF Eagle Group MWS1824 Microwave Shelf, wall mount, 24"W x 18"D, marine edge on front, hole with black rubber grommet included, 18/430 stainless steel construction, NSF	\$393.12	<Alternate>
			Freight: \$69.46	<Alternate>
			Extended Total: <Alternate>	\$925.16

Item	Qty	Description	Sell	Sell Total
36	1 ea	MICROWAVE OVEN ACP RCS10TS Amana® Commercial Microwave Oven, 1000 watts, 1.2 cu. ft. capacity, medium volume, 4-stage cooking, (5) power levels, (100) memory settings, braille touch pads, non-removable air filter, side hinged door with tempered glass, accommodates 14" plate, stainless steel interior & exterior, 120v/60/1-ph, 13.0 amps, 15 MCA, 1550 watts (total), NEMA 5-15P, cETLus, ETL-Sanitation	\$695.91	<Alternate>
	1 ea	Note: Sale of this product must comply with ACP's Minimum Resale Price Policy; consult order acknowledgement for details.		<Alternate>
	1 ea	3-year limited warranty (1 year full)		<Alternate>
		Freight:	\$125.00	<Alternate>
		Extended Total:	<Alternate>	\$820.91
38	1 ea	MICROWAVE OVEN ACP RCS10TS Amana® Commercial Microwave Oven, 1000 watts, 1.2 cu. ft. capacity, medium volume, 4-stage cooking, (5) power levels, (100) memory settings, braille touch pads, non-removable air filter, side hinged door with tempered glass, accommodates 14" plate, stainless steel interior & exterior, 120v/60/1-ph, 13.0 amps, 15 MCA, 1550 watts (total), NEMA 5-15P, cETLus, ETL-Sanitation	\$695.91	<Alternate>
	1 ea	Note: Sale of this product must comply with ACP's Minimum Resale Price Policy; consult order acknowledgement for details.		<Alternate>
	1 ea	3-year limited warranty (1 year full)		<Alternate>
		Freight:	\$125.00	<Alternate>
		Extended Total:	<Alternate>	\$820.91
39	1 ea	WORK CENTER Eagle Group T3036EBW-1 AdjusTable® Work Surface System, with overshef, 36"W x 30"D x 54-1/2"H, 16/304 stainless steel top/work surface, (1) adjustable 36"W x 14"D QuadTruss® chrome plated overshef, (2) QuadTruss® adjustable chrome wire undershelves, chrome posts grooved in 1" increments, NSF	\$911.82	<Alternate>
		11400 specifications do not call out this table, but it is noted on the plan and elevations so we bid it as an alternate		<Alternate>
		Freight:	\$116.25	<Alternate>
		Extended Total:	<Alternate>	\$1,028.07
40-41		SPARE NO.		Spare
42/43	2 ea	FOOD PAN WARMER, COUNTERTOP Custom		<By Owner>

Item	Qty	Description	Sell	Sell Total
44	1 ea	DROP-IN SINK Eagle Group SRU14-10-5-1 Self-Rimming Drop-In Sink, one compartment, 14" wide x 10" front-to-back x 5" deep bowls, 4" OC deck mount faucet with gooseneck spout (302004), up-turn on sides & rear, includes basket drain, 20/304 stainless steel construction, NSF		<By Other>
	1 ea	Faucet hole punched on 4" centers, standard		<By Other>
		This item is specified as KEC but on the drawings it's also listed as "in plumbing package", we did not include costs		<By Other>
45	1 ea	COFFEE BREWER BUNN 23001.0006 23001.0006 CWTF15-APS Airpot Coffee Brewer, automatic, brews 3.8 gallons per hour capacity, digital circuitry with timer function operated by front panel switches, hot water faucet, plastic funnel, accommodates (1) 1.9 to 3.0 liter airpots (sold separately), stainless decor, 120v/60/1-ph, 1370w, 11 amps, NEMA 5-15P	\$808.18	<Alternate>
	1 ea	Prices include applicable tariffs		<Alternate>
	2 ea	32125.0000 32125.0000 Airpot, 2.5 liter (84 oz.), lever-action, stainless steel liner, ETL	\$59.12	<Alternate>
	1 ea	35728.0001 35728.0001 UNIV-2 APR Universal Airpot Rack, (2) lower racks, displays (2) push-button or lever-action airpots (not included), sponge-lined tray, carbon-steel wire construction	\$86.85	<Alternate>
		Freight:	\$93.74	<Alternate>
		Extended Total:	<Alternate>	\$1,107.01
45.1	1 ea	WATER FILTRATION SYSTEM, FOR COFFEE BREWERS BUNN 56000.0024 56000.0024 System, WEQ-10(1.5)5L	\$156.59	<Alternate>
	1 ea	Prices include applicable tariffs		<Alternate>
		Freight:	\$12.98	<Alternate>
		Extended Total:	<Alternate>	\$169.57
46	1 ea	SODA BEVERAGE DISPENSING TOWER Cornelius 621052807		<By Purveyor>

Item	Qty	Description	Sell	Sell Total
47	1 ea	FROZEN DRINK MACHINE, NON-CARBONATED, BOWL TYPE BUNN 58000.0010 58000.0000 Ultra® NX Frozen Beverage Dispenser, countertop, Pull & Hold dispense, (2) 3 gallon (11.4 liter) bowls, LED lighted hopper lids, independently controlled rotating augers, low product alert, quick defrost feature, BUNNlink compatible, R290 Hydrocarbon refrigerant, black finish, 120v/ 60/1-ph, 12 amps, cord, NEMA 5-15P, ETLus, NSF	\$2,821.38	<Alternate>
	1 ea	Prices include applicable tariffs		<Alternate>
			Freight: \$227.83	<Alternate>
			Extended Total: <Alternate>	\$3,049.21
47A	1 ea	FROZEN DRINK MACHINE, NON-CARBONATED, CYLINDER TYPE SaniServ 791 Frozen Cocktail/Beverage Freezer, counter model, air or water-cooled, self-contained refrigeration, 2 heads, 14 qt. evaporator & refrigerated mix capacity (per side), welded steel frame, stainless steel exterior, AccuFreeze solid-state controls, mix out light, (2) 1/4 HP dashers, 1 HP comp., UL, NSF	\$17,864.40	<Alternate>
	1 ea	1 year parts, 90 days labor, 5 year compressor & evaporator warranty		<Alternate>
	1 ea	(T) 208-230v/60/1-ph, 20 amps		<Alternate>
	1 ea	CTS Check-Train-Start, CTS is required to activate manufacturers warranty, representative will inspect the unit for proper installation (uncrate & set in place with electrical connections arranged by end-user prior to scheduled CTS), representative will instruct end-user on proper operating & cleaning procedures including start-up with product (product to be supplied by end-user) (NET)	\$570.00	<Alternate>
			Freight: \$425.73	<Alternate>
			Extended Total: <Alternate>	\$18,860.13
48	1 ea	COUNTER FREEZER Turbo Air TGF-5SD-N Super Deluxe Glass Merchandiser-Counter Top Freezer, one-section, 4.26 cu. ft., self-contained, (1) triple pane heated glass door, (2) adjustable PE coated wire shelves, LED interior lighting, door lock, auto defrost, white interior, specify exterior color, R290 Hydrocarbon refrigerant, 1/3 HP, 115v/60/1-ph, 2.3 amps, cord, NEMA 5-15P, cETLus, ETL-Sanitiation	\$4,551.20	<Alternate>
	1 ea	Note: Contact factory representative for parts & accessories discounts		<Alternate>
	1 ea	5 year parts & labor warranty, standard		<Alternate>
	1 ea	7 year compressor warranty (self-contained only)		<Alternate>
	1 ea	Black finish		<Alternate>
			Extended Total: <Alternate>	\$4,551.20

Item	Qty	Description	Sell	Sell Total
49	1 ea	HEATED BUTTER DISPENSER Server Products 86540 BSW-SS, SUPREME™ BUTTER WARMER, MERCHANDISER & DISPENSER, water-bath warmer, with temperature sensing thermostat and wrap-around heating element, spout warmer (opposite instrument panel side), pump is preset for 1/4 oz. servings, with a 1 oz. max, adjustable in 1/8 oz. increments, plug within the pump prevents hot topping from splashing when dispensed (reduces back pressure), includes magnetic buttered popcorn merchandising sign and 3 qt. stainless steel jar (94009), stainless steel pump, 517 watts, 120v/60/1-ph, 4.3 amps, cord, NEMA 5-15P, CE, cULus, NSF	\$738.61	<Alternate>
	1 ea	2 Year warranty		<Alternate>
			Freight: \$35.00	<Alternate>
			Extended Total: <Alternate>	\$773.61
50		SPARE NO.		Spare
51	1 ea	POPCORN POPPER Gold Medal Products 2085 60 Special Popcorn Machine, electric, countertop, 6 oz. kettle capacity, strip heater, heated corn deck, stainless steel kettle, tempered glass, red dome, 1220 watts, 120v/60/1-ph, NEMA 5-15P, cULus, NSF	\$800.63	<Alternate>
	1 ea	All information & pricing is subject to change without notice; contact Gold Medal Products Co. for the most up-to-date pricing and information.		<Alternate>
	1 ea	2 year parts & 6 months labor warranty, standard (contact factory for more information)		<Alternate>
			Freight: \$261.56	<Alternate>
			Extended Total: <Alternate>	\$1,062.19
52	1 ea	DISPLAY CASE, REFRIGERATED BAKERY Turbo Air TCGB-36-W(B)-N Refrigerated Bakery Display Case 36-1/2" W, 11.8 cu. ft., self-contained refrigeration with self-cleaning condenser, , curved front tempered glass, non-peel anti-rust coated paint steel exterior, sliding rear doors, (2) adjustable cantilevered wire shelves, LED interior lighting under each shelf,, stainless steel floor & air flow grille, specify exterior color, 33°F-41°F temp range, R290 Hydrocarbon refrigerant, 1/3 HP, 115v/60/1-ph, 7.5 amps, NEMA 5-15P, cETLus, ETL-Sanitation	\$12,793.78	<Alternate>
	1 ea	Note: Contact factory representative for parts & accessories discounts		<Alternate>
	1 ea	2 year parts & labor warranty, standard		<Alternate>
	1 ea	Additional 3 year compressor warranty (5 year total), standard		<Alternate>
	1 ea	Self-cleaning condenser device equipped, standard		<Alternate>
	1 ea	Black finish		<Alternate>
			Extended Total: <Alternate>	\$12,793.78

Item	Qty	Description	Sell	Sell Total
53	1 ea	DISPLAY CASE, REFRIGERATED BAKERY Turbo Air TCGB-36-W(B)-N Refrigerated Bakery Display Case 36-1/2" W, 11.8 cu. ft., self-contained refrigeration with self-cleaning condenser, , curved front tempered glass, non-peel anti-rust coated paint steel exterior, sliding rear doors, (2) adjustable cantilevered wire shelves, LED interior lighting under each shelf,, stainless steel floor & air flow grille, specify exterior color, 33°F-41°F temp range, R290 Hydrocarbon refrigerant, 1/3 HP, 115v/60/1-ph, 7.5 amps, NEMA 5-15P, cETLus, ETL-Sanitation	\$12,793.78	<Alternate>
	1 ea	Note: Contact factory representative for parts & accessories discounts		<Alternate>
	1 ea	2 year parts & labor warranty, standard		<Alternate>
	1 ea	Additional 3 year compressor warranty (5 year total), standard		<Alternate>
	1 ea	Self-cleaning condenser device equipped, standard		<Alternate>
	1 ea	Black finish		<Alternate>
		11400 specifications did not call out item #53, but it in on plan		<Alternate>
			Extended Total: <Alternate>	\$12,793.78
			Merchandise	\$6,830.48
			Installation	
			Total	\$6,830.48

Acceptance: _____ Date: _____

Printed Name: _____

Project Grand Total: \$6,830.48