

Attachment "B"
JOB ORDER AGREEMENT

THIS AGREEMENT is made and entered into this 4th day of MARCH, 2022 by and between THE FISHER COMPANY, (hereinafter referred to as "Contractor") and the City of El Mirage, Arizona, a municipal corporation, (hereinafter referred to as "City").

Whereas, City issued Request for Proposal (hereinafter "RFQ") No. PW19 - JOC02 seeking proposals from contractors to provide Job Order Contracting for water and wastewater projects on property owned and/or controlled by City; and,

Whereas, Contractor submitted a response to City RFQ No. PW19 - JOC02 offering to provide Job Order Contracting for water and wastewater projects from identified property owned and/or controlled by City (hereinafter "Proposal"); and,

Whereas, Contractor was awarded a Contract to provide services in conformance with the requirements of RFQ No. PW19 - JOC02.

NOW, THEREFORE, Contractor and City hereby agree as follows:

1. Contractor agrees, at its own cost and expense, to do all the work and furnish all the equipment, personnel and materials necessary to provide, in a good and substantial manner and to the satisfaction of the City, the following work, Job Order Contracting for water and wastewater projects, in accordance with the City of El Mirage RFQ No. PW19 - JOC02 and Contractor's contract in response to RFQ No. PW19 - JOC02, which are hereby specially referred to and by such reference made a part hereof in their entirety. RFQ No. PW19 - JOC02 shall consist of the following documents, which are incorporated herein by this reference: Notice of Request for Qualifications; Instructions and Proposal Conditions; Scope of Work and Project Specifications; General Terms and Conditions; Proposal; Appendices; and Exhibits.
2. City agrees to pay Contractor, and Contractor agrees to accept, as full compensation for furnishing all equipment, personnel and materials and for doing all the work contemplated and embraced in this Agreement, the amounts set forth in Contractor's contract in response to RFQ No. PW19 - JOC02.
3. The City hereby promises and agrees with the Contractor to retain, and does hereby retain, Contractor to provide the equipment, and personnel and materials and to do the work according to the terms and conditions herein contained and referred to, for the price aforesaid, and hereby contracts to pay the same at the time, in the manner and upon the conditions as provided; and the said parties for themselves, their heirs, executors, administrators, successors and assigns, do hereby agree to the full performance of the covenants herein contained.
4. It is further expressly agreed by and between the parties that should there be any conflict between the terms of this Agreement, RFQ No. PW19 - JOC02 or the Proposal, then this Agreement and the provisions terms of RFQ No. PW19 - JOC02 shall control and nothing herein shall be considered as an acceptance of the terms of the said Proposal conflicting herewith or RFQ No. PW19 - JOC02, unless expressly so stated herein.
5. Time is of the essence to the terms of this contract.
6. **FEDERAL AND STATE EMPLOYMENT IMMIGRATION LAWS.** To the extent applicable under A.R.S. § 41-4401, Contractor warrants its and its subcontractors compliance with all federal immigration laws and regulations that relate to their compliance with the E-verify requirements under A.R.S. § 23-214(A). Contractor's or its subcontractors' breach of the above-mentioned warranty shall be deemed a material breach of the Agreement and may result in the termination of the Agreement by the City of El Mirage. The City of El Mirage retains the legal right to randomly inspect the papers and records of Contractor and its subcontractors to ensure that the Contractor and its subcontractors are complying with the above-mentioned warranty.

The Contractor warrants to keep the papers and records open for random inspection during normal business hours by the City of El Mirage. The Contractor shall cooperate with the City of El Mirage's random inspections including granting the City entry rights to Contractor's property to perform the random inspections and waiving its right to keep such papers and records confidential. The failure of Contractor to comply with this warranty regarding the keeping of papers and records and cooperating with the City's random inspections shall constitute a material breach of the Agreement and the City shall have the right to immediately terminate the Agreement.


The Contractor further agrees to include the following language in all subcontracts entered into by Contractor with any person or entity to perform work on the Agreement and to terminate the agreement with any subcontractor who violates any of the warranties set forth in said language below.

To the extent applicable under A.R.S. § 41-4401, Subcontractor warrants to Contractor and the City of El Mirage Subcontractor's compliance with all federal immigration laws and regulations that relate to its compliance with the E-verify requirements under A.R.S. § 23-214(A). Subcontractor's breach of the above-mentioned warranty shall be deemed a material breach of the Agreement and may result in the termination of the subcontract by Contractor at the direction of the City of El Mirage. Subcontractor further acknowledges the City of El Mirage's right to randomly inspect the papers and records of Subcontractor to ensure that Subcontractor is complying with the above-mentioned warranty.

Subcontractor warrants to keep the papers and records open for random inspection during normal business hours by City of El Mirage. Subcontractor shall cooperate with City of El Mirage's random inspections including granting the City entry rights to Subcontractor's property to perform the random inspections and waiving their respective rights to keep such papers and records confidential. The failure of Subcontractor to comply with this warranty regarding the keeping of papers and records and failure to cooperate with the City's random inspections shall constitute a material breach of the Agreement and the City shall have the right to immediately require Contractor to terminate the Agreement with Subcontractor.

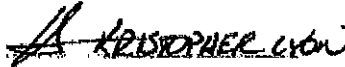
Executed and entered into on the date first written above.

CITY:



Public Works Department Director

CONTRACTOR:



(Contractor Representative)



UTILITY CONSTRUCTION & NETWORK INSTALLATION

To: CITY OF EL Mirage	Contact: Scott Ketchmark
Address: 12001 W. Peoria El Mirage, AZ 85335 MARICOPA	Phone:
	Fax:
Project Name: CITY OF EL MIRAGE - WASH RACK GRIT PAD	Bid Number: 2020-00902
Project Location: 10355 N 121st Ave, El Mirage, AZ	Bid Date: 3/5/2020

We would like to thank you for the opportunity to provide all necessary labor, equipment, material, tools, supervision, licenses, applicable taxes, insurance and coordination to perform the work in accordance with state, county, and local specifications.

Line #	Item #	Item Description	Estimated Quantity	Unit	Unit Price	Total Price
001	001	INSTALL GRIT PAD. INCLUDES: 12" TURNDOWN, MAG 222 TYPE B CURB	1,400.00	SF	\$18.91	\$26,474.00
002	002	FURNISH & INSTALL OIL WATER SEPARATOR, BACKFILL & COMPACT. PRICE INCLUDES SEPARATOR & FREIGHT FROM AUBURN, WASHINGTON	1.00	EACH	\$10,208.17	\$10,208.17
003	003	INSTALL GRIT BOX. INCLUDES: FRAME & GRATE	1.00	EACH	\$4,284.91	\$4,284.91
004	004	INSTALL 2" WATER SERVICE. INCLUDES BACKFLOW PREVENTOR AND METER, BOX & COVER AND 1" SERVICES TO HOSE BIBS	300.00	LF	\$68.74	\$20,622.00
005	005	INSTALL 4" DRAIN LINE	220.00	LF	\$52.99	\$11,657.80
006	006	REMOVE & REPLACE EXISTING ASPHALT	1,575.00	SF	\$7.83	\$12,332.25
007	007	MOBILIZATION/DE-MOB	1.00	LS	\$3,170.55	\$3,170.55
008	008	TRAFFIC CONTROL FOR 121ST AVE WATER SERVICE	1.00	LS	\$2,230.33	\$2,230.33

Bid Price Subtotal: \$90,980.01
Arizona Sales Tax 5.60%: \$5,094.88
Total Bid Price: \$96,074.89

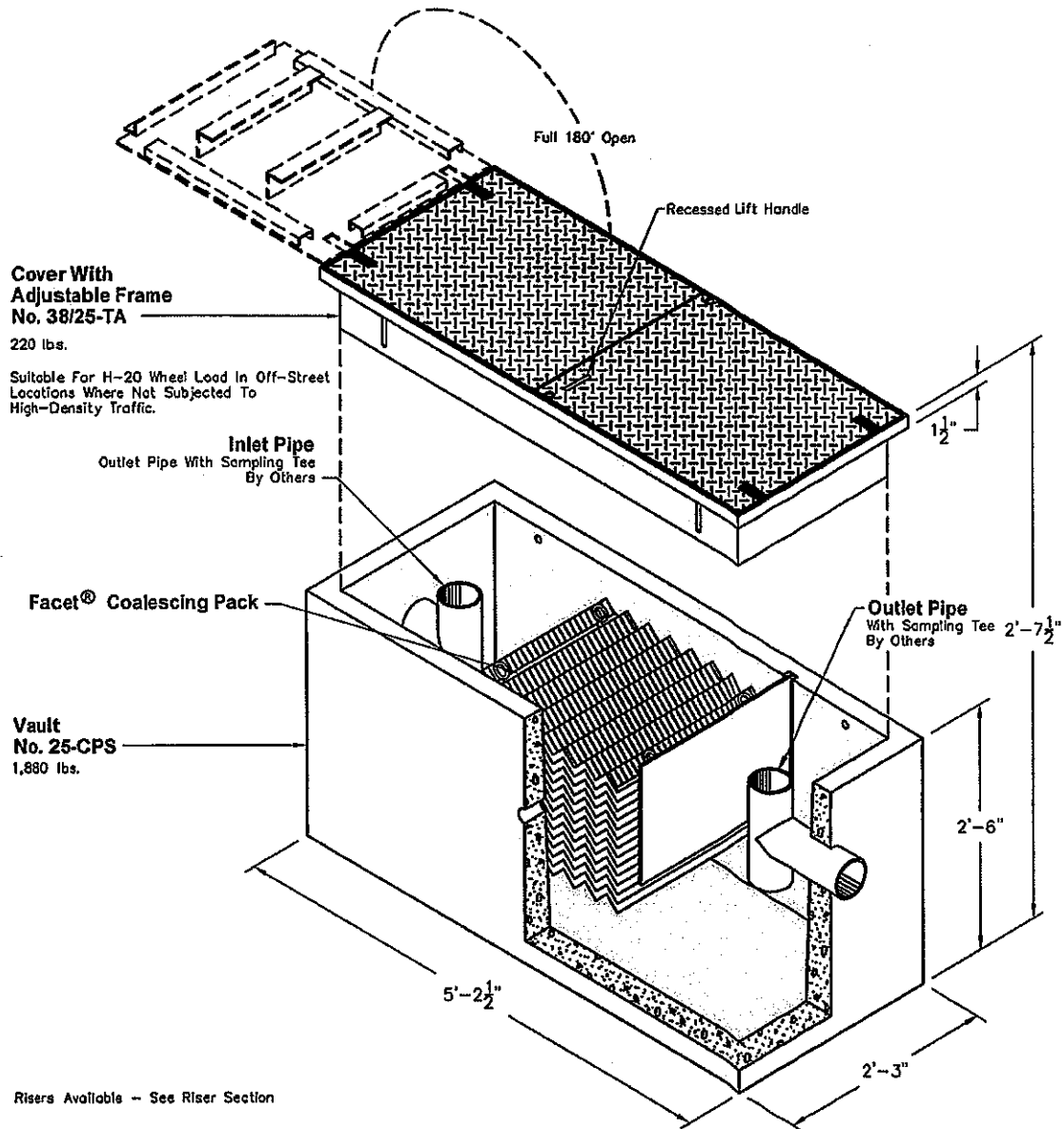
Payment Terms:

PAYMENT TERMS NET 30 DAYS

<p>ACCEPTED: The above prices, specifications and conditions are satisfactory and hereby accepted.</p> <p>Buyer: <u>N. Russo</u></p> <p>Signature: <u>[Signature]</u></p> <p>Date of Acceptance: <u>3/25/2020</u></p>	<p>CONFIRMED: The Fishel Company</p> <p>Authorized Signature: <u>[Signature]</u></p> <p>Estimator: Mark Wibbe mawible@teamfishel.com</p>
---	---

25-CPS OIL WATER SEPARATOR

Project Plate Area = 64 Sq/ft
Maximum Process Flow = 60 GPM

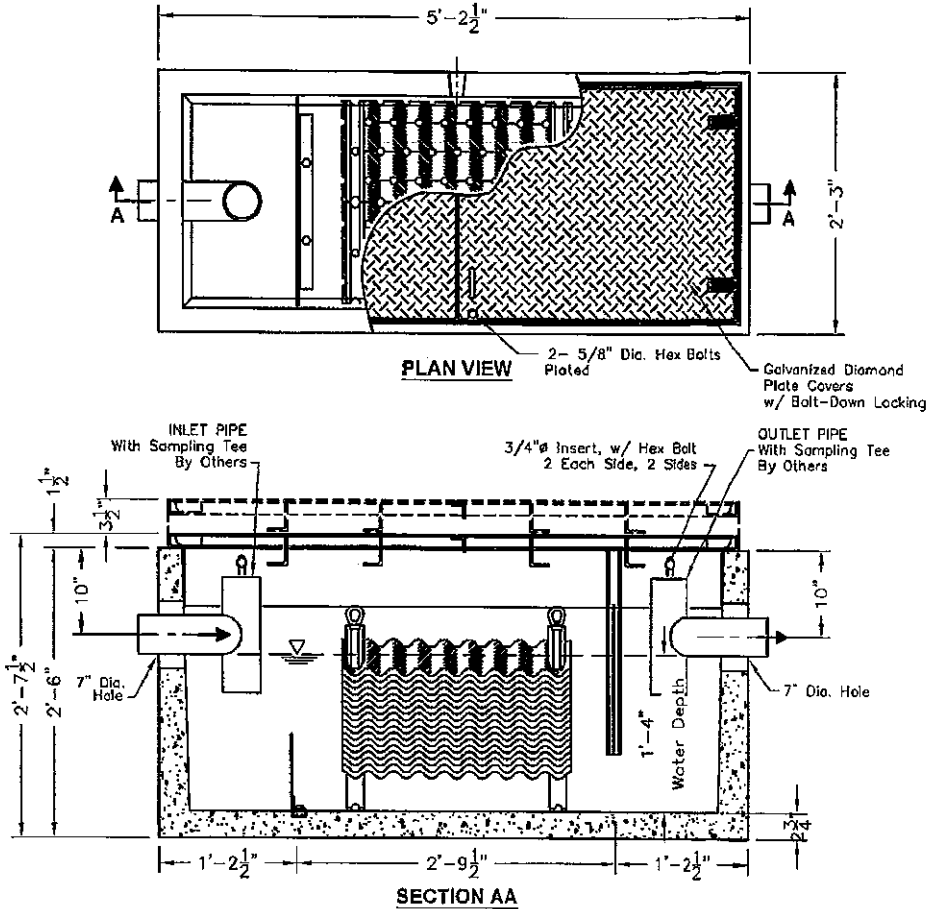


FOR DETAILS, SEE REVERSE>>

Items Shown Are Subject To Change Without Notice
Issue Date: April 2016

25-CPS

Project Plate Area = 64 Sq/ft
Maximum Process Flow = 60 GPM



- STRUCTURAL NOTES:**
1. Concrete: 28 Day Compressive Strength $f'c = 7000$ psi
 2. Rebar: ASTM A-615 Grade 60
 3. Mesh: ASTM A-185 Grade 65
 4. Design: ACI-318-05 Building Code
ASTM C-880 "Minimum Structural Design Loading For Underground Precast Concrete Water and Wastewater Structures"
 5. Loads: HS-20 Truck Wheel w/ 30% Impact Per AASHTO

- GENERAL NOTES:**
1. All Baffles and Weirs To Be 3/16" Steel Plate
 2. Static Water Depth = 1'-4"
 3. Contractor to:
Supply and Install All Piping & Sampling Tees
Grout In All Pipes
Fill With Clean Water Prior To "Start-Up" Of System
Verify All Blockout Sizes and Locations

- INFORMATION NEEDED:**
- Top Of Separator Elevation:
 - Inlet Pipe Size:
 - Inlet Pipe Elevation:
 - Outlet Pipe Size:
 - Outlet Pipe Elevation:

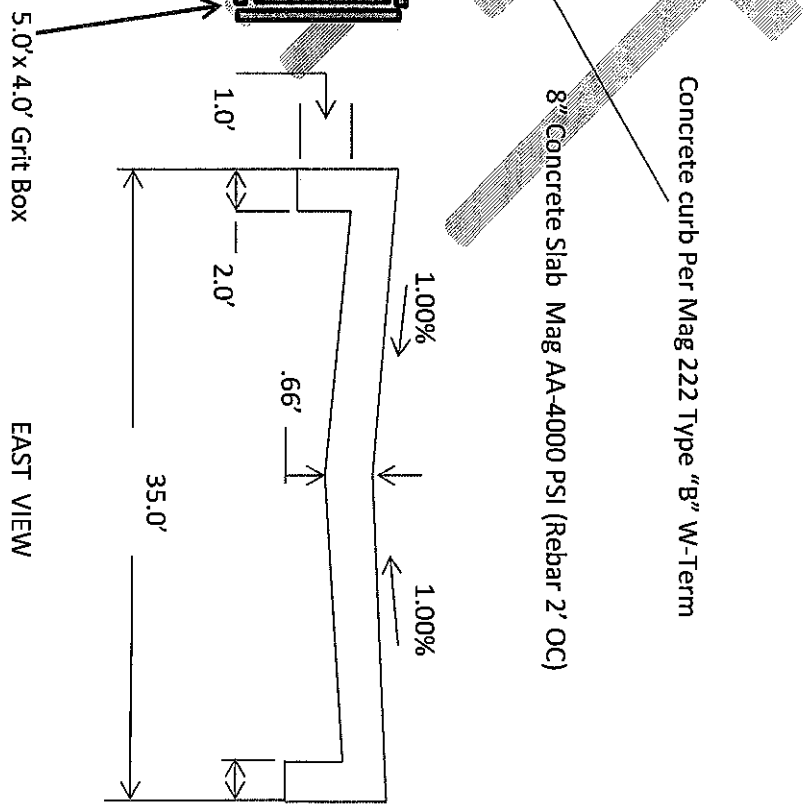
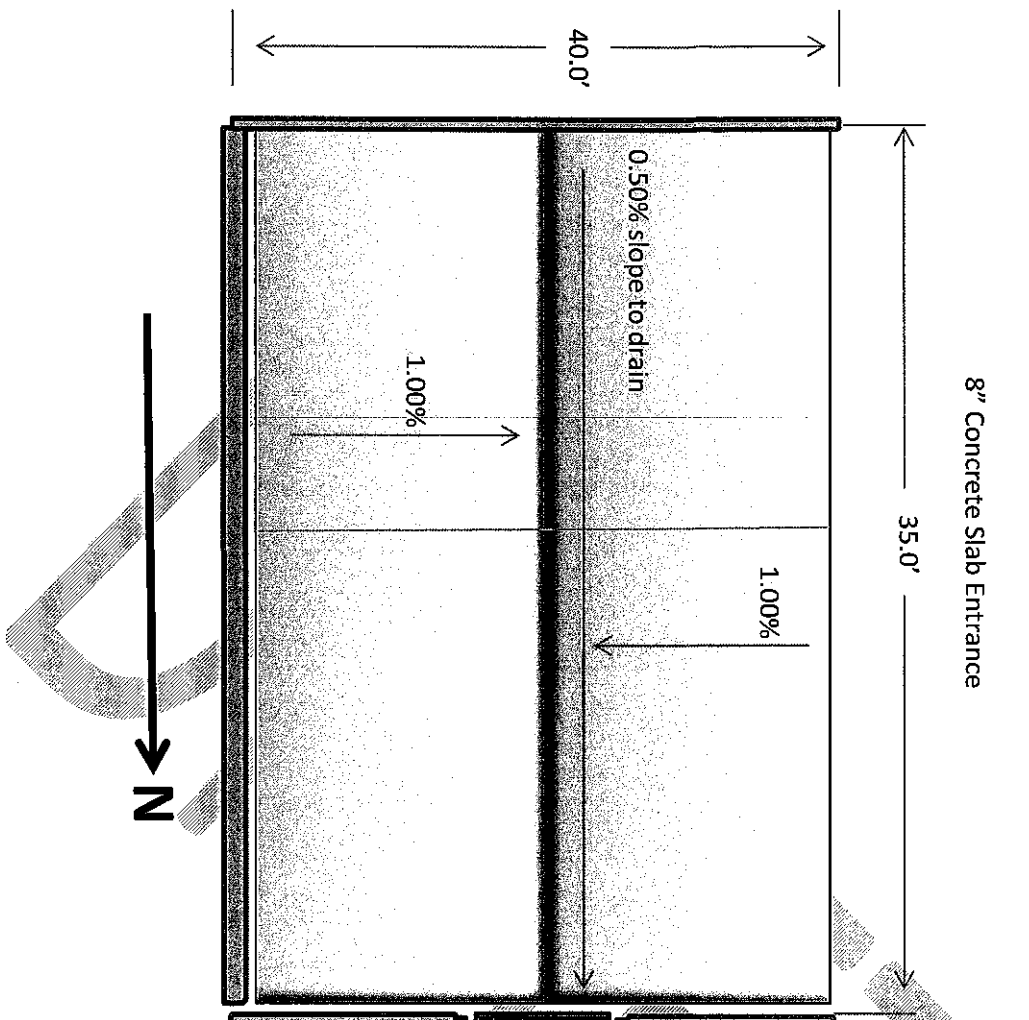
BASIC DESIGN INFORMATION:

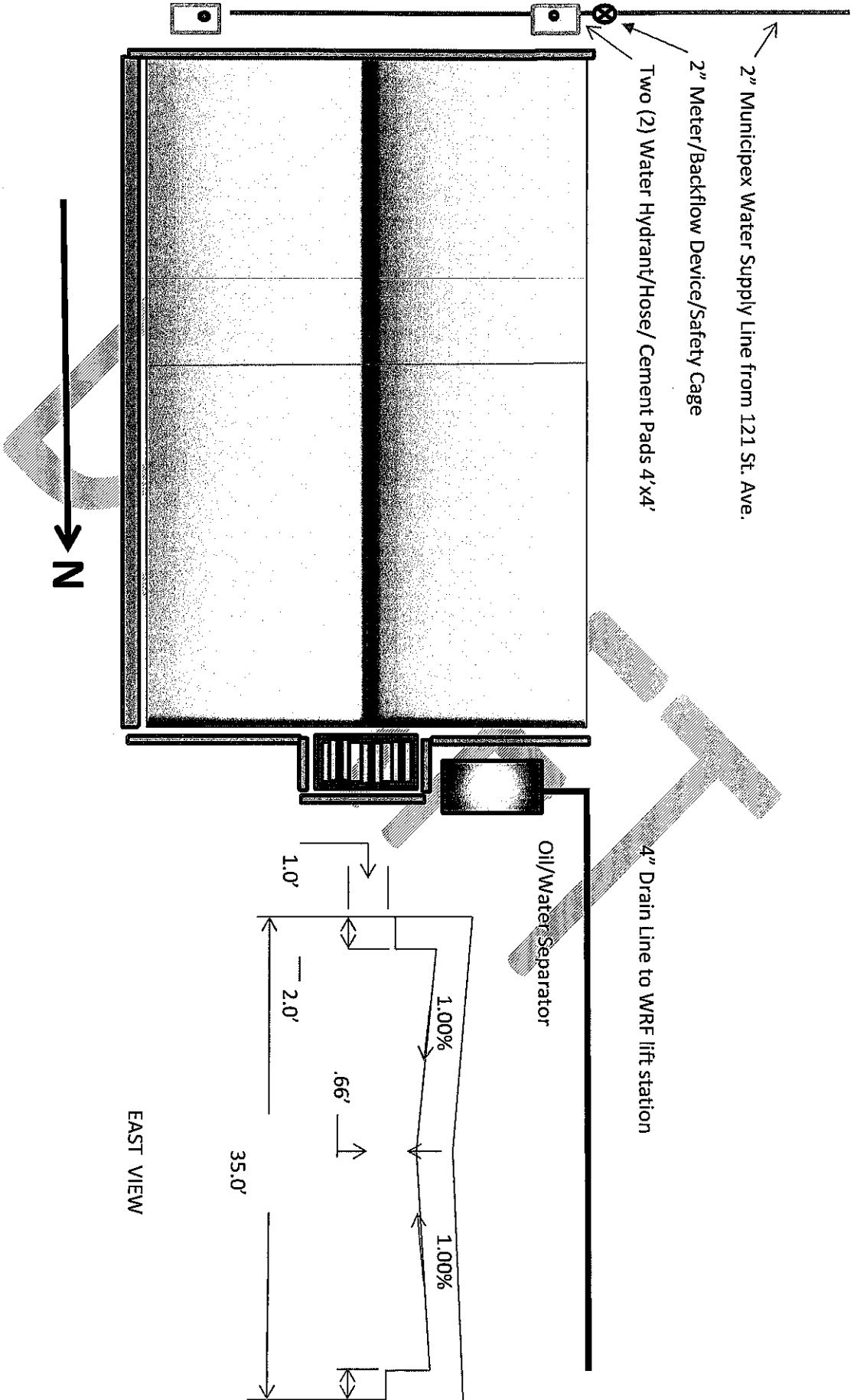
INFLUENT CHARACTERISTICS:

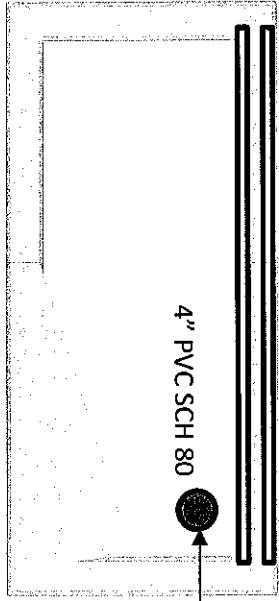
- Oil Specific Gravity: 0.88
- Operating Temperature: 50°
- Influent Oil Concentration: 100 ppm
- Mean Oil Droplet Size: 130 Microns
- 0.033 ft/min Oil Rise Rate
- Designed Per Washington State Department Of Ecology

FLOW RATE	EFFLUENT QUALITY	COLLECTED SIZE
20 GPM	10 ppm	60 Micron

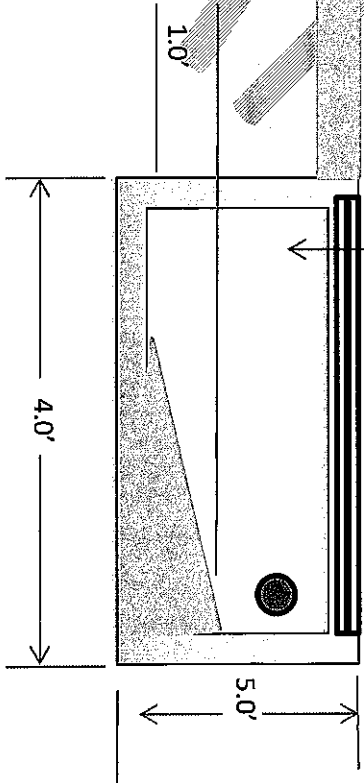
SCALE: 3/4"=1'-0"



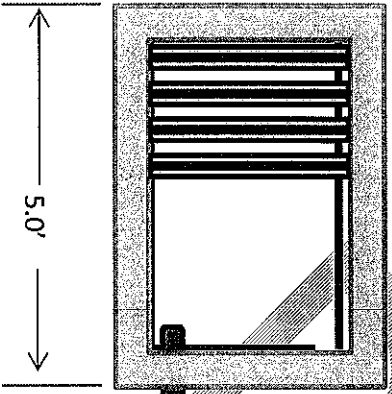




Cement Slab



Grit Box End View



Grit Box Top View 5.0' x 4.0'