



August 27, 2020

City of El Mirage  
10355 N. 121st Avenue,  
El Mirage, AZ 85335  
Attn: Mr. Scott Ketchmark

Re: Blower Replacement and Blower Building Upgrades – JOC Package  
Garney GMP Proposal

Dear Mr. Ketchmark

Garney Companies, Inc. has prepared the below revised proposal as requested per the Job Order. A summary of this work is as follows:

1. Install two (2) each new hybrid rotary screw blowers' model D98S 100HP with VFD's. Removal of the existing 2 blowers (Garney will remove the existing blowers carefully, knowing the owner's intent is to salvage the existing equipment). reconfiguring existing 12' carbon steel air piping, demo existing and install conduits and power for new blowers back to MCC, and install control wire back to PLC. One (1) VFD to ship loose to be install on rack, one (1) VFD will be factory mounted. Start up support for blowers.
  - a. Blower manufacture will be onsite for all startup services
  - b. Garney has assumed the existing air piping is in suitable working conditions
  - c. Garney has assumed keeping one blower offline during construction
  - d. Garney has excluded all permits except for dust control and SWPPP as required.
  - e. Garney assumed all existing shelving and misc. equipment that is stored in blower area will be removed by the City prior to start of all work.
2. Building upgrades include the following: install a new HM door and frame, new LED light and fixtures, new evaporative coolers, painting interior room including new door and frame, epoxy coat floor, and repair ceiling insulation.
  - a. Interior painting includes all walls and HM door and frame. Excludes all pipe and conduit on walls.
  - b. HM door will be installed with new closer, existing lock set will be reused
  - c. Garney will repair the existing ceiling insulation using repair tape. Areas to be address no greater than 6"x6" holes.
3. Allowances included in this proposal:
  - a. Allowance: Fire Protec Allowance to Reconnect System: \$2,500.00
4. Notice to proceed will be negotiate with the City of City of El Mirage
5. Specifically excluded from the proposal are: ADOT, SRP and Building Permits (Garney will pull permits if needed, payment will be pulled from Contingencies Allowance if needed), Engineering, Remediation of contamination, and hazardous material handling or disposal, and supply of Engineer's Trailer/Equipment, Surveyor.

Garney Companies, Inc. has developed a GMP proposal to include labor, material, equipment and supervision to complete the above work for the lump Sum \$517,664.78. Any deviations from the above will require a revised quotation.

In order to secure the material prices offered and meet the schedule, this proposal is valid for acceptance until September 25<sup>th</sup>, 2020. Thank you for your cooperation.

Sincerely,

  
Stephen Hagy  
Project Manager



Contractor Name Garney Construction

Contract Type:	Water Wastewater JOC - PW19-JOC0
Job Order#:	Garney JOC # 8
City Project Manage	Adam Ford
Fee Type:	JOC
Location:	10355 N. 121 Ave. El Mirage, AZ 85335
Job Title:	WAS Pipe Repair and SBR Supports

City Project#:	
Contractor's Job #:	
Prepared by:	
Fee Type:	
Location:	
Job Title:	

Description of work to be performed:	See Attached
--------------------------------------	--------------

**SECTION 1: LABOR (Includes Burden)**

Position	Unit	Quantity
PROJECT ENGINEER	Hours	40
SUPERINTENDENT	Hours	40
FOREMAN ASSISTANT SUPERINTENDENT	Hours	88
LABORER: PIPELAYER	Hours	160
LABORER: COMMON	Hours	96

Labor Cost		Position	
Each		Total	
\$ 58.28		\$	2,331.20
\$ 83.25		\$	3,330.00
\$ 58.28		\$	5,128.64
\$ 49.45		\$	7,912.47
\$ 38.12		\$	3,659.40
<b>Total Labor Cost</b>		\$	<b>22,361.71</b>

Item	Unit	Quantity
TRUCK: ON-HIGHWAY LIGHT DUTY 4X2 GAS	Hours	100
Misc. Rental Equipment	Hours	1

Equipment Cost		Item	
Each		Total	
\$ 12.89		\$	1,289.00
\$ 2,500.00		\$	2,500.00
<b>Total Equipment Cost</b>		\$	<b>3,789.00</b>

**SECTION 3: MATERIALS**

Item	Unit	Quantity
Misc. Piping Materials	LS	1
New HM Door and Frame	LS	1
Aerzen Delta Hybrid Blower Package	Each	2
Misc. Equipment Setting materials	LS	1

Material		Item	
Each		Total	
\$ 7,591.48		\$	7,591.48
\$ 678.75		\$	678.75
\$ 134,750.00		\$	269,500.00
\$ 2,500.00		\$	2,500.00
<b>Total Equipment Cost</b>		\$	<b>280,270.23</b>

**Section 4: Subcontractors and Consultants**

Company	Description of Work to be Preform (supporting quote & info attached)	Total
	Install/Repair Pipe Insulation 12" Carbon Steel Pipe.	\$ 6,000.00
	Fire Protec to provide Labor to Disable and Dismantle two PyromChem Systems	\$ 920.00
	Fire Protec Allowance to Reconnect System	\$ 2,500.00
	Carbon Steel Pipe welding	\$ 1,500.00
	Alliance Service and Control Specialists Electrical and Control Work, and LED Fixtures	\$ 43,900.00
	Scope of Work for Installation of Evaporative Cooler on Buildings	\$ 39,934.00
	Interior wall and Floor Coating	\$ 14,151.00
<b>Total Subcontractor Cost</b>		<b>\$ 108,905.00</b>

OVERHEAD:  (% to be taken from JOC Pricing Matrix Form)

PROFIT:  (% to be taken from JOC Pricing Matrix Form)

Subtotal General Contractor Costs (1+2+3):	\$ 306,420.94
O&P	\$ 42,898.93
Total General Contractor Costs including O&P:	\$ 349,319.87

Subtotal Subcontractor Costs (4):	\$ 108,905.00
Subcontractor Profits (5% of 4):	\$ 5,445.25
Total Subcontractors Costs including Profit:	\$ 114,350.25

TOTAL GC Cost and Subcontractor: With O&P	\$ 463,670.12
---	---------------

Insurance Costs @ 1.00%	1%	\$ 4,636.70
Bond Costs @ 1.50% to 1.00	1.36%	\$ 6,305.91
Sales Tax (_% of _%):	6.05%	\$ 28,052.04
Tax Exemption Credit:		

Subtotal Job Cost:	\$ 502,664.78
--------------------	---------------

Contingencies Allowance	\$ 15,000.00
-------------------------	--------------

TOTAL JOB COST:	\$ 517,664.78
-----------------	---------------

Submitted by: 

Date 8-26-2020



FERGUSON WATERWORKS (3083)  
 111 EAST BUCKEYE ROAD SUITE 5  
 PHOENIX, AZ 85004-2725

Phone: 602-495-8420  
 Fax: 602-262-4276

Deliver To: EXP 2020 EM TAX EM  
 From: Greg Go  
 Comments:

17:48:37 AUG 06 2020

Page 1 of 1

FERGUSON WATERWORKS #3083

Price Quotation  
 Phone: 602-495-8420  
 Fax: 602-262-4276

**Bid No:** B334134  
**Bid Date:** 07/29/20  
**Quoted By:** MRR

**Cust Phone:** 602-470-0001  
**Terms:** 2% 10TH NET 25TH

**Customer:** GARNEY COMPANIES INC  
 ATTN ACCOUNTING MELIA PENC  
 1333 NW VIVION ROAD  
 KANSAS CITY, MO 64118

**Ship To:** GARNEY COMPANIES INC  
 ATTN ACCOUNTING MELIA PENC  
 1333 NW VIVION ROAD  
 KANSAS CITY, MO 64118

**Cust PO#:**

**Job Name:** EL MIRAGE BLOWERS

Item	Description	Quantity	Net Price	UM	Total
SP-FFCSPCE12G6	12X1'6 FLGXFLG PC EPOXY CS SPL	2	1687.500	EA	3375.00
VC120341PS0	12 FLG ADPT 341 W/S GSKT T37-77 341	2	583.590	EA	1167.18
FNWNBSS6112	12 316 SS 150# FLG NUT/BLT SET	2	128.280	EA	256.56
ATSGA12	12 FF 1/8 TORUSEAL NSF61 FLG GSKT	2	21.370	EA	42.74
SP-FFCSPCE126	12X0'6 FLGXFLG PC EPOXY CS SPL	2	1375.000	EA	2750.00
----					
TOTAL					7591.48

**Net Total:** \$7591.48  
**Tax:** \$0.00  
**Freight:** \$0.00  
**Total:** \$7591.48

Quoted prices are based upon receipt of the total quantity for immediate shipment (48 hours). SHIPMENTS BEYOND 48 HOURS SHALL BE AT THE PRICE IN EFFECT AT TIME OF SHIPMENT UNLESS NOTED OTHERWISE. QUOTES FOR PRODUCTS SHIPPED FOR RESALE ARE NOT FIRM UNLESS NOTED OTHERWISE.

CONTACT YOUR SALES REPRESENTATIVE IMMEDIATELY FOR ASSISTANCE WITH DBE/MBE/WBE/SMALL BUSINESS REQUIREMENTS.

Seller not responsible for delays, lack of product or increase of pricing due to causes beyond our control, and/or based upon Local, State and Federal laws governing type of products that can be sold or put into commerce. This Quote is offered contingent upon the Buyer's acceptance of Seller's terms and conditions, which are incorporated by reference and found either following this document, or on the web at <https://www.ferguson.com/content/website-info/terms-of-sale>  
 Govt Buyers: All items are open market unless noted otherwise.

LEAD LAW WARNING: It is illegal to install products that are not "lead free" in accordance with US Federal or other applicable law in potable water systems anticipated for human consumption. Products with \*NP in the description are NOT lead free and can only be installed in non-potable applications. Buyer is solely responsible for product selection.



**HOW ARE WE DOING? WE WANT YOUR FEEDBACK!**

Scan the QR code or use the link below to complete a survey about your bids:

<https://survey.medallia.com/?bidsorder&fc=3083&on=1867>



**Doors and Hardware LLC**

3126 N 30th Ave  
Phoenix, Arizona 85017  
Tel: 602-272-5427 Fax: 602-272-5534

Quote

Quote # : **417103**  
Quote Date : **Aug 20, 2020**  
Expiration Date : **Oct 4, 2020**

Customer:  
Cash Sale  
3126 N 30th Ave  
Phoenix, Arizona 85017

Ship To:  
Cash Sale  
TAXABLE CASH SALE  
Phoenix, Arizona 85017

Account Code : 999999  
Terms : Cash Only  
Customer Job # :  
Salesperson : Chris Mohr  
Order Name : Steve @ Garney  
Purchase Order # :  
Shipped Via : WC

- 
- 1. Lead time is 1-2 weeks.
  - 1a. 50% deposit required to begin production.
  - 2. Quote is for material listed only, any changes may result in a price difference. Errors and omissions are subject to quote change.
  - 3. Exclusions:
    - Installation
  - 4. Frames quoted as hollow metal.
  - 5. Door(s) quoted as hollow metal.
- 

**Qty Product Description**

- 1 3070 SGL 4000 CR 16 KD 534 4 RH  
4" Head, Punch & Dimpled
- 1 3070 HMD 1800 18 S PS 1-3/4 CR F (CYL)
- 1 Closer 1461 REG/PA FULL COVER AL

Pre-Tax Total : 625.00  
AZ86 - ARIZONA SALES TAX 8.6% : 53.75  
**Quote Total : 678.75**

**KCI DOORS AND HARDWARE, LLC**  
**3126 N 30<sup>TH</sup> AVE, PHOENIX, ARIZONA 85017**  
**Office 602-272-5427**

**PLEASE REVIEW ALL NOTES AND EXCLUSIONS**

Quote is for material listed. Any changes or variations may result in a price increase.  
Omissions and extension errors are subject to correction.

**DUE TO THE CURRENT VOLATILITY OF THE FIRE RATED MARKET – ALL FIRE RATED PRODUCTS PRICING WILL ONLY BE VALID FOR 30 DAYS.**

**Exclusions:**

- Installation
- Retention
- Any and All Keying Requirements
- Storefront Doors/Frames and Hardware
- Glazing for Sidelites and Windows
- Function and Mounting Holes
- Field Measuring,
- Taxes/Bonds (UNO)
- Freight (UNO)
- Labor and Equipment Required to Unload
- Jobsite Stocking/ Storage
- Job Specific Exclusions Noted on the Quote

KCI Door and Hardware, LLC is not responsible for proper installation of materials sold.

KCI Doors and Hardware, LLC is a supplier only and not subject to pay when/if paid or 10% retention.  
Pricing DOES NOT include waiver of subrogation **OR** listing as additional insured. ADD \$250.00 per job,  
**IF REQUIRED**

Products in this proposal do not qualify for the ARRA Buy America Act or LEED Certification,  
unless noted otherwise.

This quote does not constitute an offer of credit. Credit Application approval is required for credit terms. The first project billed under a new credit account will require 50% down with the balance billed under our standard terms and conditions.

COD orders REQUIRE 50% down payment before fabrication/procurement of materials.  
The balance due on or before material is received.

Bid results are requested to help us better understand our position in the bid market.

**Freight damage claims on orders shipped direct to jobsite and accepted by contractor: (Damage Must be noted on Bill of Lading)**

Once the freight is accepted by the contractor, the contractor becomes the OWNER of the material. The OWNER must contact and file a loss claim with the freight company directly if any damages have occurred. KCI Doors and Hardware, LLC will assist with information and/or guidance. The contractor will be responsible to pay for replacement material, as the contractor will be the recipient of freight claim monies.

**Freight damage claims on orders shipped direct to jobsite and rejected by contractor: (Damage must be noted on Bill of Lading)**

KCI Doors and Hardware, LLC is responsible to file all freight claims for rejected or returned orders. Once KCI receives and inspects returned material, new material will be ordered and/or fabricated and returned to the jobsite as soon as possible.

**AERZEN USA CORPORATION**

108 Independence Way  
 Coatesville, PA 19320  
 Tel. (610) 380-0244 ♦ Fax. (610) 380-0278



**AERZEN**

**Confidential & Proprietary - this document shall not be distributed to anyone other than the intended recipients.**

**AERZEN** Reference Number: E16-81644

23-Jul-20

Re: El Mirage, AZ K-Turbo Replacement

Page 1 of 2

<p><b>To:</b> Stephen Hagy                  Firm - Garney Construction</p> <p>phone - 303-482-7437</p>
<p><b>AERZEN</b> Representative Info:                  Name - Lisa Snyders, PE of Coombs-Hopkins                  e-mail - lisa@chcwater.com                  phone - (602) 275-4303</p>

<p><b>AERZEN</b> Proposal Prepared By:                  Name - Tom McCurdy                  email - tom.mccurdy@aerzen.com                  phone - (610) 656-1683</p>
<p><b>AERZEN</b> Regional Manager:                  Name - Tom McCurdy                  e-mail - tom.mccurdy@aerzen.com                  phone - (610) 656-1683</p>

**Thank you for the opportunity to provide an updated quotation for (2) Hybrid Rotary Screw Blower Packages.**

**This scope of supply does NOT include the following items: External Controls, Isolation Valves, Anchor Bolts and Installation Hardware. VFD is included, factory mounted.**

**Instrumentation as shown below, is part of this scope of supply.**

<b>Replacement Blower - Hybrid</b>	<b>Model: D 98S</b>		
<b>Performance Data:</b>		<b>Design</b>	<b>Min</b>
Intake volume, handled at intake condition	icfm	2,294	903
Volume handled at normal condition	scfm	2,000	787
Relative humidity	Φ	50%	50%
Intake pressure (abs.)	psia	14.12	14.12
Pressure difference	psig	8.50	8.50
Intake temperature	°F	104	104
Discharge temperature	°F	214	228
Main rotor speed	rpm	4,614	2,200
% of maximum	%	69%	33%
Motor Speed	rpm	3,545	1,690
Power consumption at coupling	bHp	90.7	40.6
Motor Rating	HP	<b>100</b>	
Blower max rotor speed	rpm	6,660	
Tolerance on flow & power	± 5 %		
Sound pressure level w/o enclosure	dB(A)	102	
Sound pressure level w/ enclosure	dB(A)	73	

\*Measured in free field at 3ft. distance from the outline of the unit

\*does not include system piping noise (tol. ± 2 dB(A)).

**Weights & Dimensions:**

Discharge connection	EPDM ANSI	10"
Blower pkg weight	lbs.	5,958
Envelope dim.*	L x W x H in.	87 x 75 x 93
460 VAC Cooling Fan	kW	0.38
AERtronic	kW	0.2

\* non binding dimensions includes, inlet filter silencer, relief valve, check valve, and flex connector

**AERZEN USA CORPORATION**

108 Independence Way  
Coatesville, PA 19320  
Tel. (610) 380-0244 ♦ Fax. (610) 380-0278



**AERZEN**

**Confidential & Proprietary - this document shall not be distributed to anyone other than the intended recipients.**

**AERZEN** Reference Number: E16-81644  
Re: El Mirage, AZ K-Turbo Replacement

23-Jul-20

Page 2 of 2

**Replacement Blower - Hybrid**

**D 98S**

**Aerzen Delta Hybrid Blower Package consists of the following components, assembled in our factory.**

- Aerzen Rotary Lobe Compressor D Series
- base frame with integrated reactive type silencer
- hinged motor support as automatic belt tensioning device
- set of vibration isolating mounts
- intake filter-silencer
- narrow V-belt drive with guard
- spring loaded pressure relief valve
- discharge manifold with externally accessible integrated check valve
- flexible connector with clamps for schedule 40 pipe, discharge

**Scope of Supply**

- 2 compact blower package as listed above
- 2 motor 100 HP, 2-pole, NEMA, TEFC, 460 V / 60 Hz, prm-eff, 405TS, T-Stat, AEGIS ring
- 2 sound enclosure with integral 460 V cooling fan and factory supplied fan motor starter
- 2 set of sensors (P1, P2, T2 & Oil Temp) w/AERtronic Control (460 VAC, 5 Amp), E-Stop , UL508A
- 2 100 HP Allen Bradley Powerflex 753 VFD Panel, NEMA 12 enclosure, UL 508A labeling

**Factory Services**

- 2 ISO-1217 test report(s)
- 1 submittal data, hard copy
- 1 O&M manual, hard copy
- 2 factory set PRV to 10.9 psig

**Onsite Manufacturer Services**

- 2 trip(s), 4 day(s) total installation inspection, startup & testing
- additional mfg services beyond what is listed herein and/or resulting from delays will be invoiced separately

**Spare Parts**

- 2 air filter, 2 belt set, 2 oil filter -Hybrid,

**Freight & Packaging**

- 2 freight to jobsite
- 2 domestic packaging

**TOTAL for 2 unit(s) \$269,500**

**Confidential & Proprietary - this document shall not be distributed to anyone other than the intended recipients.**

**Pricing: DAP Jobsite**

**Terms: This offer is subject to Aerzen Standard Terms and Conditions (A2-001-USA January 2009)**

**Submittals: 4 weeks after receipt of Purchase Order**

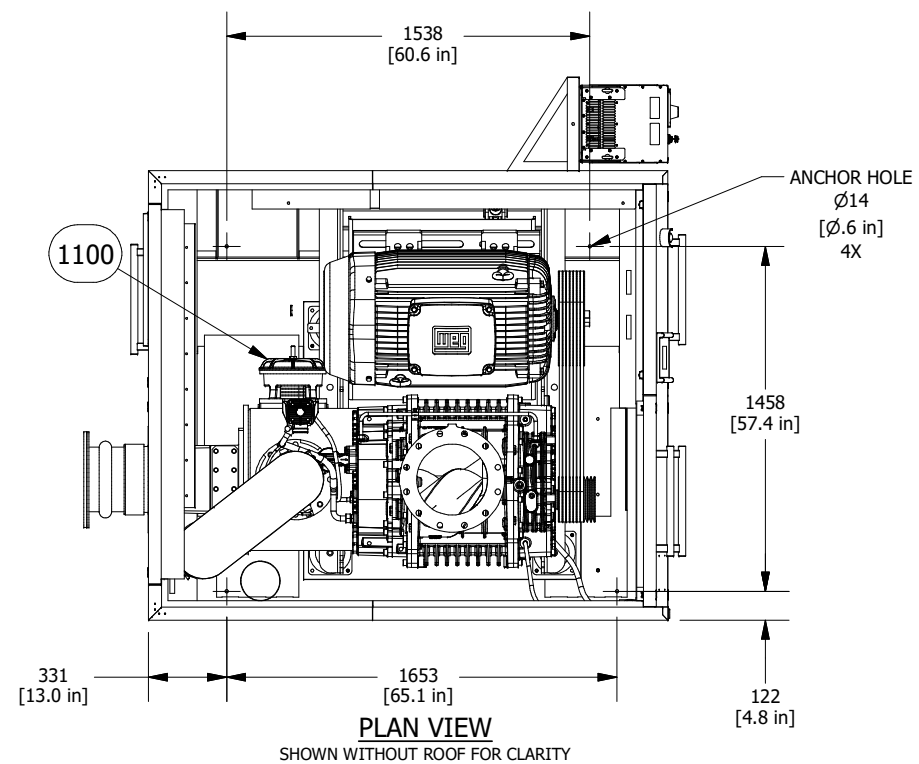
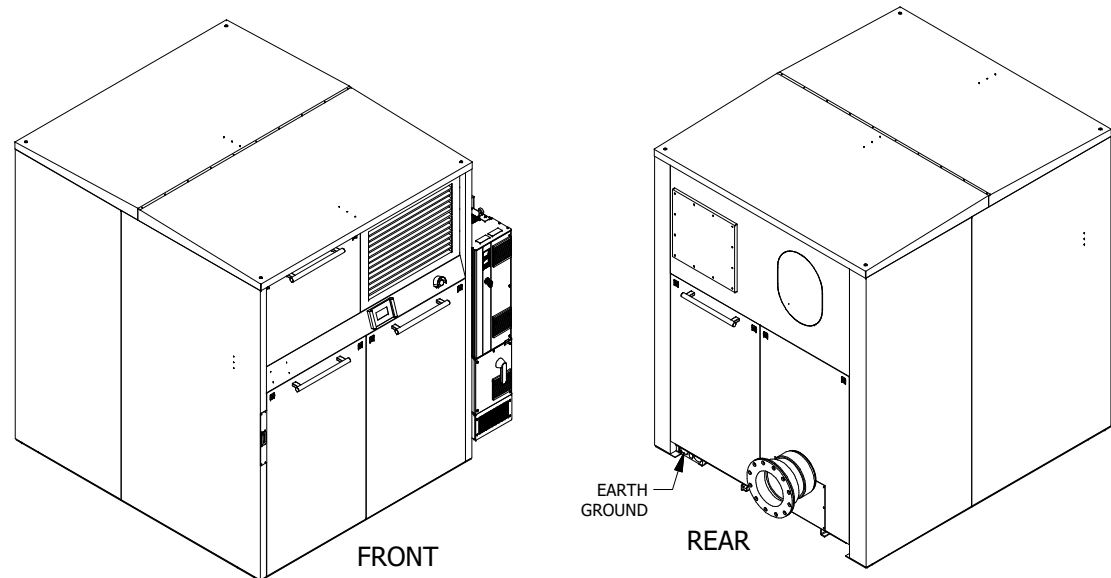
**Delivery: presently approx. 4 months upon technical release by customer**

**Payment: 20% upon receipt of approved submittal, 75% upon shipment Net 30 and 5% retention not to exceed 180 days from shipment.**

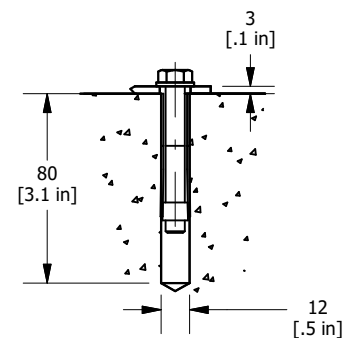
**Warranty: 24 months after start up or 30 months after delivery, which ever comes first on Aerzen package\***

\*Maintenance must be performed per the Instruction Manual using Aerzen spare parts.

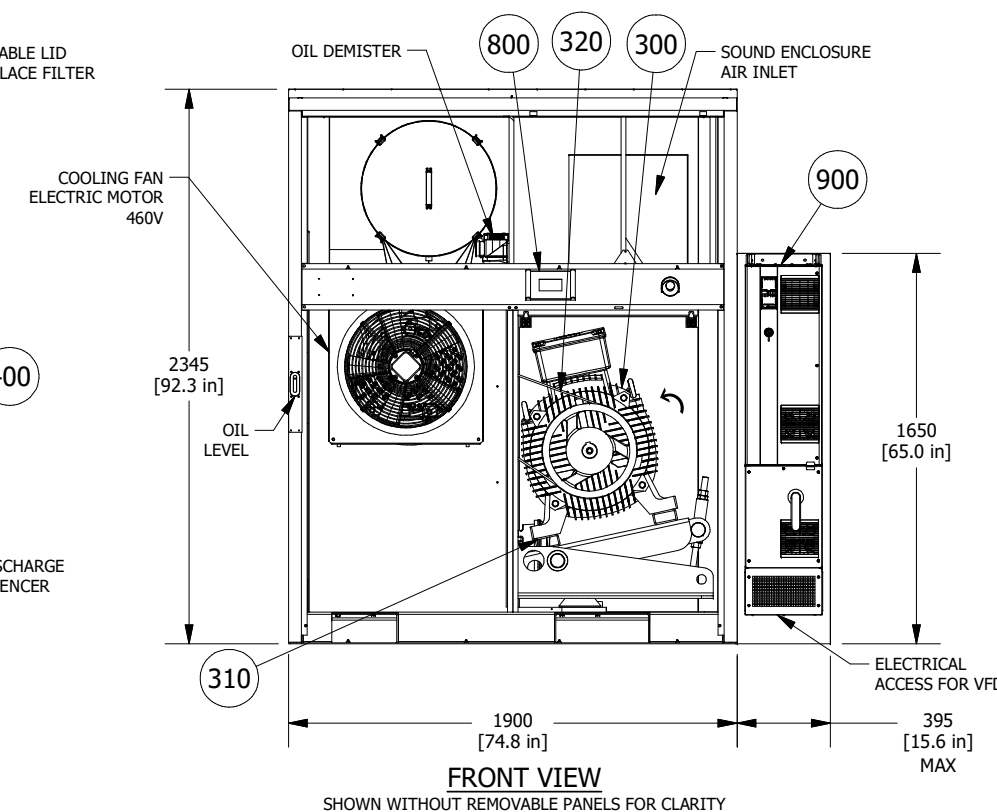
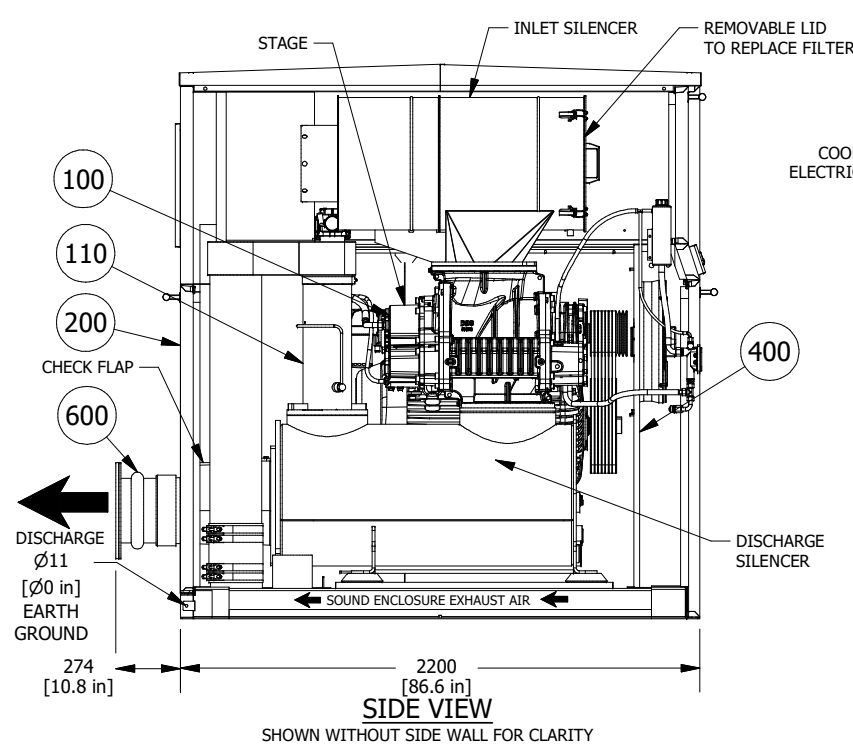
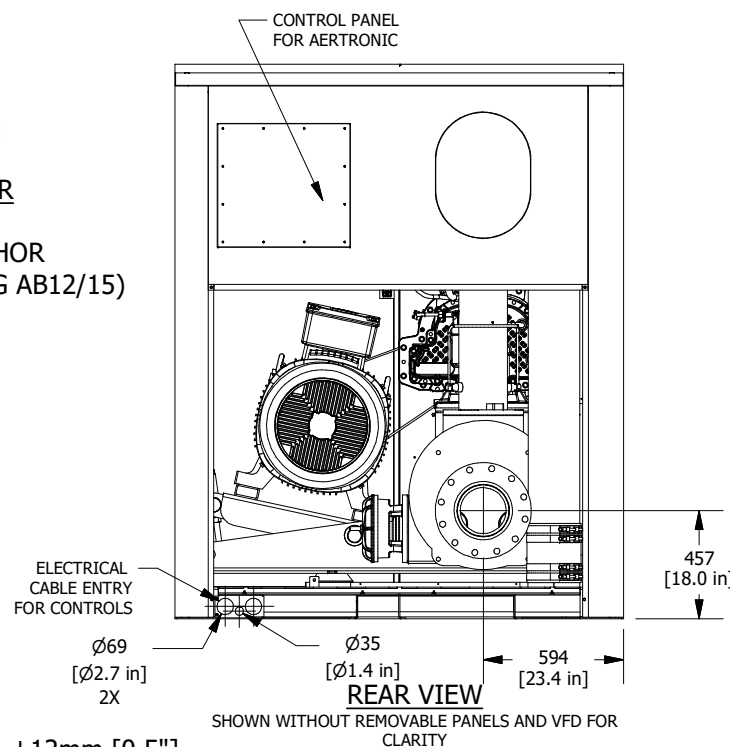
\*Equipment not manufactured by Aerzen will carry the manufacturer's standard warranty.



ITEM	QTY	DESCRIPTION	DESCRIPTION 2
100	1	HYBRID TORSO	D98S, DN250
110	1	PRESSURE RELIEF VALVE	
200	1	SOUND ENCLOSURE	
300	1	ELECTRIC MOTOR	
310	1	MOTOR MOUNTING	
320	1	BELT DRIVE	
400	1	BELT GUARD	
600	1	DISCHARGE CONNECTION	10", 150#, ANSI FLANGE
800	1	INSTRUMENTATION	AERTRONIC
900	1	VFD	SHOWN WITH D5H FRAME
1100	1	UNLOADING VALVE	OPTIONAL



**SOUND ENCLOSURE ANCHOR RECOMMENDATION**  
SHOWN WITH OPTIONAL ANCHOR  
AERZEN PART NO. 120813000 (LIEBIG AB12/15)



**NOTES:**

- TOLERANCE ON ALL DIMENSIONS = ±12mm [0.5"]
- ITEM 100 (HYBRID TORSO) INCLUDES BLOWER STAGE, INLET SILENCER, BASE FRAME/ DISCHARGE SILENCER, VIBRATION ISOLATORS, COOLING FAN, & CONNECTION HOUSING WITH CHECK FLAP
- CUSTOMER PIPING TO BE INDEPENDENTLY SUPPORTED
- LIFT PACKAGE FROM BLOWER SIDE THROUGH FORK LIFT POCKETS IN BASE OR LIFTING HOLES IN CORNER OF BASE USING SPREADER BAR
- SEE JOB DATA SHEETS FOR PERFORMANCE DATA, PART NUMBERS, TOTAL PACKAGE WEIGHT, INSTRUMENTATION, AND OTHER OPTIONAL EQUIPMENT, & OWNER'S MANUAL
- REQUIRED SPACE IN FRONT & REAR FOR MAINTENANCE IS 800mm [32"]
- DISCHARGE FLANGE MUST BE MOUNTED TO A RIGID FLANGE FACE

WEIGHT		
BLOWER PACKAGE (LESS MOTOR)	2099kg	4702lbs
VFD & BRACKET	136kg	300lbs
ELECTRIC MOTOR (ITEM 300)		
TOTAL (NET WEIGHT)		

	<b>AERZEN USA CORPORATION</b> 108 INDEPENDENCE WAY, COATESVILLE, PA. PH: (610) 380-0244 FX: (610) 380-0278 WWW.AERZENUSA.COM		CLASS: I 									
	DRAWN: DFT 8/6/2019 CHECKED: RJP 8/7/2019 APPROVED: [Signature] DRAWING NO: GB-007162-P2032100 <small>NAVISION PRL</small>	TITLE: GA DRAWING D98S, DN250, G5 F3 SOUND ENCL. PRESSURE WITH FRONT FACING VFD	SCALE: 1:24 SHEET: 1 / 1 REV. NAME DATE	<table border="1"> <tr> <td> </td> <td> </td> <td> </td> </tr> <tr> <td> </td> <td> </td> <td> </td> </tr> <tr> <td> </td> <td> </td> <td> </td> </tr> </table>								
<small>NOTICE: THIS DRAWING AND ALL INFORMATION HEREIN IS THE PROPERTY OF AERZEN USA INC. AND ITS SUBSIDIARIES AND SHALL NOT BE REPRODUCED BY ANY MEANS IN WHOLE OR IN PART USED AS THE BASIS FOR MANUFACTURE WITHOUT WRITTEN PERMISSION</small>												

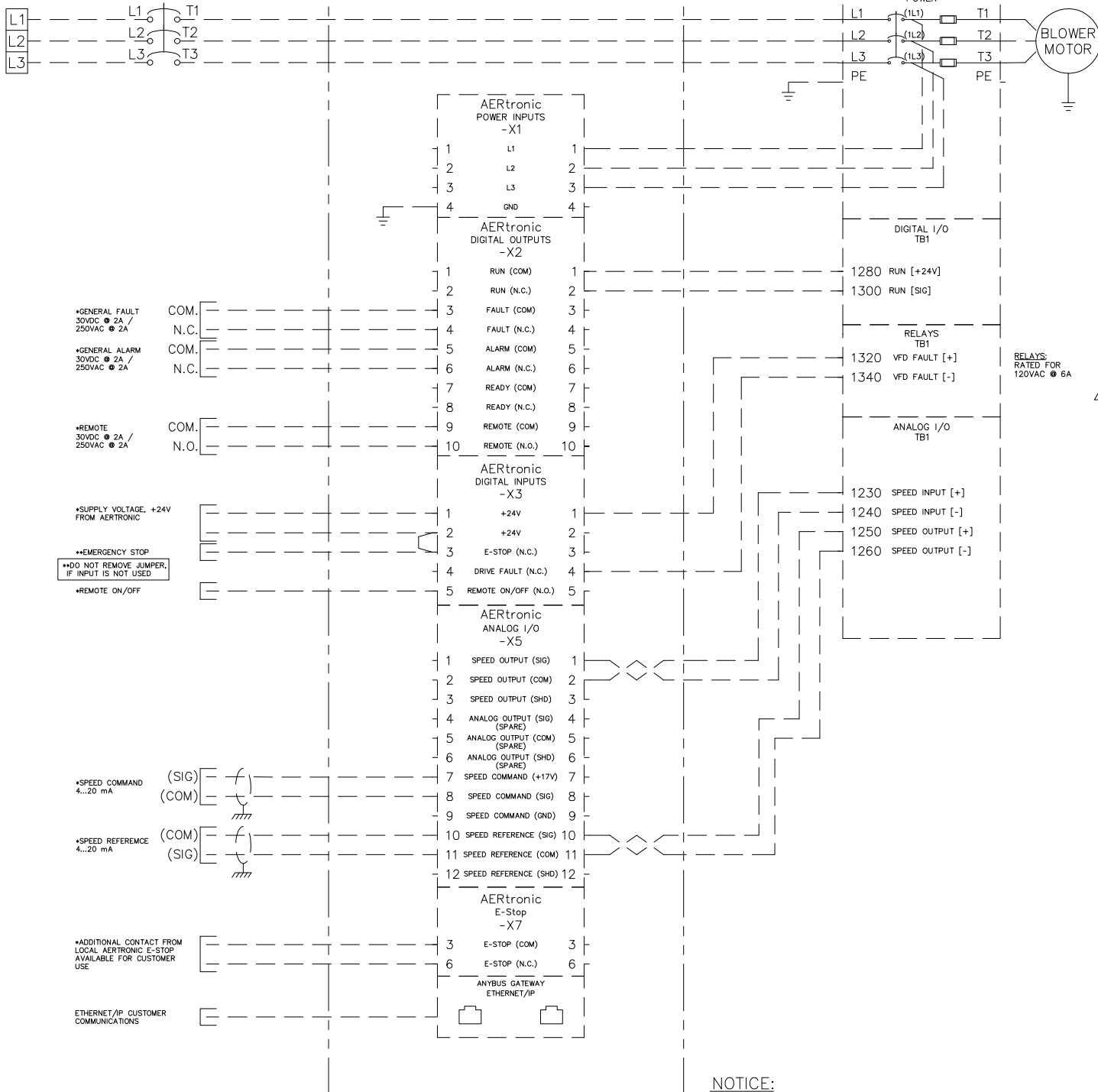
INCOMING POWER  
480V, 3Ø, 60Hz  
(3 WIRE SERVICE)

CIRCUIT BREAKER  
SEE CHART FOR SIZE

CUSTOMER CONNECTION  
AERZEN USA

CUSTOMER CONNECTION  
AERZEN USA

VFD  
ALLEN BRADLEY POWERFLEX 573  
460VAC



Motor HP rating	NEMA Motor Size	NEMA Motor FLA 1800 rpm	NEMA Motor FLA 3600 rpm	VFD Output Current (A)	VFD Frame size	VFD Weight (max) lbs.	(2)Circuit Breaker Size (A)
3	182	3.88	3.62	7.4	A4	21.5	10
5	184	6.45	5.91	9.9	A5	21.5	15
7.5	213	9	8.78	13	A5	21.5	20
10	215	12.4	11.6	21	B1	51	30
15	254	18	17	27	B1	51	40
20	256	24.1	23.2	34	B1	51	50
25	284	29.5	28.5	40	B2	59.5	75
30	286	35.1	33.8	52	B2	59.5	75
40	324	48.2	45.8	65	C1	100	100
50	326	59.2	56.1	80	C1	145	125
60	364	68.3	67	105	C1	145	150
75	365	84.1	81.9	130	C2	145	200
100	405	111	110	160	C2	145	250
(1)125	444	139	134	190	D5h*	135	300
(1)150	445	170	161	240	D5h*	135	400
(1)200	447	230	219	302	D5h*	135	500

(1) these size VFDs are only available with NEMA 12 rating  
(2) circuit breaker size is a recommendation only and does not consider other devices on that circuit

NOTES:

1. THIS DIAGRAM IS INTENDED FOR APPLICATIONS IN WHICH AERZEN USA IS NOT WIRING THE MOTOR AND CONTROLS I/O TO THE CUSTOMERS CONTROL SYSTEM.
2. AERZEN USA WILL PROGRAM THE VFD WITH MOTOR NAMEPLATE DATA AND CONTROL LOGIC TO AS WIRED.
3. THIS AERTRONIC TO VFD INTERCONNECTION IS VALID ONLY IF THE FOLLOWING CONTROL HIERARCHY IS USED: MCP>AERTRONIC PANEL>VFD. SEE AERZEN USA DOCUMENT 510.
4. ALLEN BRADLEY VFD IS SUPPLIED WITH AN INTEGRATED DISCONNECT. THIS IS FOR THE MOTOR AND AERTRONIC ONLY. A DISCONNECT FOR THE VFD IS REQUIRED AND NOT SUPPLIED BY AERZEN.
5. MOTOR DATA SHOWN IN CHART IS BASED ON AERZEN'S STANDARD OFFERING, WEG W22 MOTORS. WIRING INFORMATION ON THIS DIAGRAM IS APPLICABLE FOR OTHER MOTORS WITH EXCEPTION OF CIRCUIT BREAKER SIZE.
6. AERTRONIC PANEL CONTAINS 5A CIRCUIT BREAKER FOR INCOMING POWER FEED FROM VFD.



CLASS: I



**AERZEN USA CORP.**

108 INDEPENDENCE WAY, COATESVILLE PA 19320  
(610) 380-0244 PH, (610) 380-0278 FX

TITLE  
WIRING DIAGRAM: SHIPPED LOOSE  
ALLEN BRADLEY PF753

DATE 05-06-20	DRAWN BY MAJ	CHECKED BY CDE	APPV'D BY .
DRAWING NO. IB-008009-S22			REVISION A

NOTICE:

THIS DRAWING AND ALL INFORMATION HEREIN IS THE PROPERTY OF AERZEN USA INC. AND ITS SUBSIDIARIES AND SHALL NOT BE REPRODUCED BY ANY MEANS IN WHOLE OR IN PART OR USED AS THE BASIS FOR MANUFACTURE WITHOUT WRITTEN PERMISSION.



INSULATION CONTRACTOR

July 31, 2020

Garney Construction

Attn: Stephen Hagy

Job: Aerzen Blower Insulation

We propose to repair and replace insulation on 12" blower piping with 2" thick fiberglass 850 rated pipe insulation with a PVC jacket cover in two areas.

**Bid: \$6,000.00**

Thank you

Sincerely,  
Ralph Davis  
M&M Contractors, LLC



8/4/2020

GARNEY CONSTRUCTION  
4435 E Holmes Ave, Suite 102,  
Mesa, AZ 85206

Attn: Mr. Stephen Hagey

Re: El Mirage Blower Upgrade

Alliance Service and Control Specialists is quoting the following work:

- 1.) Demo existing conduits at Blower 1 & 3 for existing blowers demo and to accommodate new blowers.
- 2.) Supply and install conduit, conduit fittings, j-boxes needed between existing conduit and new blowers.
- 3.) Supply, install and terminate power wire back to existing MCC buckets.
- 4.) Supply, install and terminate control wire back to existing PLC if needed. Existing control seems to be over Ethernet.
- 5.) Blower 1 VFD shipped loose. Install VFD on new rack on left side of Blower 1 and wire back control panel.
- 6.) Move disconnects forward approximately 3 feet to accommodate new blowers.
- 7.) Startup support for Blowers 1 & 3

TOTAL: \$32,500.00

Exclusions:

1. All Taxes and Bonds
2. All Fees and Permits
3. Programming

This quote is good for 30 days

If you have any questions, please call me at (602) 431-8434 ext. 106, Mobile: (602)-920-7079.

Thank you for your consideration.

Sincerely,  
*Tony Fischer*  
Tony Fischer PE,  
Project Manager



8/20/2020

**GARNEY CONSTRUCTION**  
4435 E Holmes Ave, Suite 102,  
Mesa, AZ 85206

Attn: Mr. Stephen Hagey

Re: El Mirage Blower Building Lighting

Alliance Service and Control Specialists is quoting the following work:

- 1.) Demo existing fluorescent light fixtures.
- 2.) Supply and install eight 8 foot LED fixtures per cut sheets.

**TOTAL: \$11,400.00**

**Exclusions:**

1. All Taxes and Bonds
2. All Fees and Permits

This quote is good for 30 days

If you have any questions, please call me at (602) 431-8434 ext. 106, Mobile: (602)-920-7079.

Thank you for your consideration.

Sincerely,

Tony Fischer PE,  
Project Manager

# Day-Brite

## CFI

by Signify

### Industrial

### 5FL specification

### up to 14,000 lumens



Day-Brite / CFI 5FL LED specification industrial is a high performing luminaire delivering smooth diffuse light ideal for industrial or commercial applications.

Project: \_\_\_\_\_  
 Location: \_\_\_\_\_  
 Cat.No: \_\_\_\_\_  
 Type: \_\_\_\_\_  
 Lumens: \_\_\_\_\_ Qty: \_\_\_\_\_  
 Notes: \_\_\_\_\_

### Ordering guide

Example: 5FL440L840-PP2-UNV-DIM

Series	Length (nominal)	Lumens <sup>1</sup> (nominal)	Color temp.	Reflector	Voltage	Driver	Options
5FL			—	—	—	DIM	—
5FL LED specification industrial	4' length	40L 4,000 lumens 55L 5,500 lumens 70L 7,000 lumens	835 80 CRI, 3500K 840 80 CRI, 4000K	PP2 Slotted upright PP5 Solid	UNV Universal voltage 120-277V 347 347V	DIM Dimming 0-10V 1% dimming	BSL10LST Factory wired Bodine integral emergency pack. Nominal 1100-1400 lumens LSXR10 <sup>2</sup> Motion detector (ON/OFF) LSXR10HL <sup>2</sup> Motion detector (ON/DIM to 10%) SNH200 Integral EasySense sensor, daylighting with advanced grouping NLENS No diffusing lens
	8' length	80L 8,000 lumens 110L 11,000 lumens 140L 14,000 lumens	850 80 CRI, 5000K				

1. Nominal delivered lumens at 25°C ambient  
 2. Not for use with SNH200 option

### Accessories (order separately)

- E4-HKK – Sliding hanger bracket with 7/8" hole (one)
- E4-HKS – Sliding hanger bracket with 1/4" x 1" slot (one)
- FL-123 – 5' chain (w/S-hooks) set
- 5F-IJ – Heavy duty in-line coupler
- 5F-DEK – Reflector end caps

### General notes

- All options are factory installed.
- All accessories are field installed.
- Many luminaire components, such as reflectors, refractors, lenses, sockets, lampholders, and LEDs are made from various types of plastics which can be adversely affected by airborne contaminants. If sulfur based chemicals, petroleum based products, cleaning solutions, or other contaminants are expected in the intended area of use, consult factory for compatibility.



# 5FL LED specification industrial

Up to 14,000 lumens

## Construction/Finish

- High reflectance white powder coat finish.
- Can be surface mounted or suspended.
- Top and end 7/8" K.O. for easy through wiring.
- ~~Slotted reflector provides approximately 4% uplight.~~
- 8' tandem unit is two 4' optical assemblies with a full length chassis.
- Rosted acrylic lens for glare control is standard. May be ordered without lens.
- ETL Listed to meet UL 1598 standards. Suitable for use in damp location and -20°C to 40°C ambient.
- Dimming drivers are standard. Control is 0-10V DC.
- LED light engines and drivers are field replaceable.
- Components are RoHS compliant.

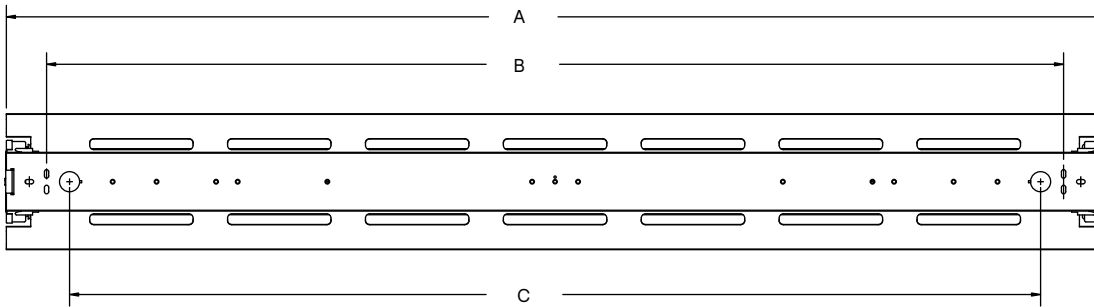
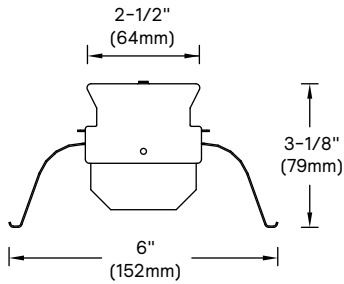
- L70 LED predicted lumen maintenance >100,000 hours.
- DLC Listed. Please check the DLC Qualified Products List to confirm [www.designlights.org/QPL](http://www.designlights.org/QPL).
- 5 year manufacturer's limited warranty. Visit [www.signify.com/warranties](http://www.signify.com/warranties) for complete warranty information.

## SNH200 EasySense

- ~~Philips field apps allow programming of occupancy & daylight sensing parameters and fine-tuning of light levels during installation. It can also be used for grouping of fixtures.~~
- ~~Download "Philips field apps" from the Google Play Store.~~
- ~~Register for the commissioning app at <http://registration.componenteloud.philips.com/appregistration/>.~~
- ~~The app works on certain Android phones with NFC or IR. See~~

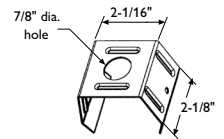
~~Recommended Phones and the EasySense App User Manual in the download section at <http://www.usa.lighting.philips.com/products/lighting-components/easysense> and follow the "View Downloads" link to register for access to the download area. Navigate to Connected Lighting Components and then Philips EasySense Sensors to find downloads.~~

## Dimensions

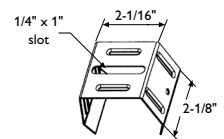


Dimensions	A (length)	B (Chain/'S' hook locations)	C (7/8" KO locations)
4' Unit	47-3/4"	44-1/4"	42-1/4"
8' Tandem Unit	95-1/2"	92"	90"

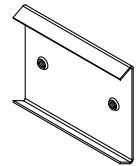
E4-HKK mounting bracket



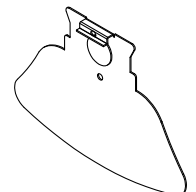
E4-HKS mounting bracket



5F-IJ in-line coupler



5F-DEK end cap



# 5FL LED specification industrial

Up to 14,000 lumens

## Photometry

### 5FL LED specification industrial, slotted upright reflector, 4000 nominal delivered lumens

LER - 150

<b>Catalog No.</b> 5FL440L840-PP2-UNV-DIM <b>Test No.</b> 40777 <b>S/MH</b> 1.3 <b>Lamp Type</b> LED <b>Lumens</b> 4105 <b>Input Watts</b> 27  Comparative yearly lighting energy cost per 1000 lumens – \$1.59 based on 3000 hrs. and \$.08 pwr KWH.  The photometric results were obtained in the Day-Brite laboratory which is NVLAP accredited by the National Institute of Standards and Technology.  Photometric values based on test performed in compliance with LM-79.	<b>Candlepower</b>	<b>Light Distribution</b>	<b>Average Luminance</b>																																																																																																																																																
	<table border="1"> <thead> <tr> <th>Angle</th> <th>End</th> <th>45</th> <th>Cross</th> <th>Back-45</th> </tr> </thead> <tbody> <tr><td>0</td><td>1397</td><td>1397</td><td>1397</td><td>1397</td></tr> <tr><td>5</td><td>1369</td><td>1394</td><td>1404</td><td>1394</td></tr> <tr><td>15</td><td>1314</td><td>1354</td><td>1378</td><td>1354</td></tr> <tr><td>25</td><td>1205</td><td>1276</td><td>1322</td><td>1276</td></tr> <tr><td>35</td><td>1043</td><td>1162</td><td>1220</td><td>1162</td></tr> <tr><td>45</td><td>843</td><td>1005</td><td>1066</td><td>1005</td></tr> <tr><td>55</td><td>622</td><td>809</td><td>746</td><td>809</td></tr> <tr><td>65</td><td>379</td><td>484</td><td>314</td><td>484</td></tr> <tr><td>75</td><td>190</td><td>183</td><td>153</td><td>183</td></tr> <tr><td>85</td><td>38</td><td>74</td><td>109</td><td>74</td></tr> <tr><td>95</td><td>0</td><td>66</td><td>87</td><td>66</td></tr> <tr><td>105</td><td>0</td><td>63</td><td>80</td><td>63</td></tr> <tr><td>115</td><td>0</td><td>34</td><td>58</td><td>34</td></tr> <tr><td>125</td><td>0</td><td>14</td><td>33</td><td>14</td></tr> <tr><td>135</td><td>0</td><td>1</td><td>16</td><td>1</td></tr> <tr><td>145</td><td>0</td><td>0</td><td>2</td><td>0</td></tr> <tr><td>155</td><td>0</td><td>0</td><td>0</td><td>0</td></tr> <tr><td>165</td><td>0</td><td>0</td><td>0</td><td>0</td></tr> <tr><td>175</td><td>0</td><td>0</td><td>0</td><td>0</td></tr> </tbody> </table>	Angle	End	45	Cross	Back-45	0	1397	1397	1397	1397	5	1369	1394	1404	1394	15	1314	1354	1378	1354	25	1205	1276	1322	1276	35	1043	1162	1220	1162	45	843	1005	1066	1005	55	622	809	746	809	65	379	484	314	484	75	190	183	153	183	85	38	74	109	74	95	0	66	87	66	105	0	63	80	63	115	0	34	58	34	125	0	14	33	14	135	0	1	16	1	145	0	0	2	0	155	0	0	0	0	165	0	0	0	0	175	0	0	0	0	<table border="1"> <thead> <tr> <th>Degrees</th> <th>Lumens</th> <th>% Luminaire</th> </tr> </thead> <tbody> <tr><td>0-30</td><td>1100</td><td>26.8</td></tr> <tr><td>0-40</td><td>1818</td><td>44.3</td></tr> <tr><td>0-60</td><td>3233</td><td>78.8</td></tr> <tr><td>0-90</td><td>3943</td><td>96.1</td></tr> <tr><td>90-180</td><td>162</td><td>3.9</td></tr> <tr><td>0-180</td><td>4105</td><td>100.0</td></tr> </tbody> </table>	Degrees	Lumens	% Luminaire	0-30	1100	26.8	0-40	1818	44.3	0-60	3233	78.8	0-90	3943	96.1	90-180	162	3.9	0-180	4105	100.0	<table border="1"> <thead> <tr> <th>Zone</th> <th>End</th> <th>45°</th> <th>Cross</th> </tr> </thead> <tbody> <tr><td>45</td><td>7005</td><td>8349</td><td>8853</td></tr> <tr><td>55</td><td>6369</td><td>8287</td><td>7637</td></tr> <tr><td>65</td><td>5266</td><td>6730</td><td>4370</td></tr> <tr><td>75</td><td>4317</td><td>4153</td><td>3465</td></tr> <tr><td>85</td><td>2554</td><td>5007</td><td>7312</td></tr> </tbody> </table>	Zone	End	45°	Cross	45	7005	8349	8853	55	6369	8287	7637	65	5266	6730	4370	75	4317	4153	3465	85	2554	5007
Angle	End	45	Cross	Back-45																																																																																																																																															
0	1397	1397	1397	1397																																																																																																																																															
5	1369	1394	1404	1394																																																																																																																																															
15	1314	1354	1378	1354																																																																																																																																															
25	1205	1276	1322	1276																																																																																																																																															
35	1043	1162	1220	1162																																																																																																																																															
45	843	1005	1066	1005																																																																																																																																															
55	622	809	746	809																																																																																																																																															
65	379	484	314	484																																																																																																																																															
75	190	183	153	183																																																																																																																																															
85	38	74	109	74																																																																																																																																															
95	0	66	87	66																																																																																																																																															
105	0	63	80	63																																																																																																																																															
115	0	34	58	34																																																																																																																																															
125	0	14	33	14																																																																																																																																															
135	0	1	16	1																																																																																																																																															
145	0	0	2	0																																																																																																																																															
155	0	0	0	0																																																																																																																																															
165	0	0	0	0																																																																																																																																															
175	0	0	0	0																																																																																																																																															
Degrees	Lumens	% Luminaire																																																																																																																																																	
0-30	1100	26.8																																																																																																																																																	
0-40	1818	44.3																																																																																																																																																	
0-60	3233	78.8																																																																																																																																																	
0-90	3943	96.1																																																																																																																																																	
90-180	162	3.9																																																																																																																																																	
0-180	4105	100.0																																																																																																																																																	
Zone	End	45°	Cross																																																																																																																																																
45	7005	8349	8853																																																																																																																																																
55	6369	8287	7637																																																																																																																																																
65	5266	6730	4370																																																																																																																																																
75	4317	4153	3465																																																																																																																																																
85	2554	5007	7312																																																																																																																																																
<b>Coefficients of Utilization</b> EFFECTIVE FLOOR CAVITY REFLECTANCE 20 PER (pfc=0.20)																																																																																																																																																			
<table border="1"> <thead> <tr> <th>pfc =</th> <th>20</th> <th>30</th> <th>40</th> <th>50</th> <th>60</th> <th>70</th> <th>80</th> <th>90</th> </tr> </thead> <tbody> <tr><td>Ceil</td><td></td><td></td><td></td><td></td><td></td><td></td><td></td><td></td></tr> <tr><td>Wall</td><td>70</td><td>50</td><td>30</td><td>70</td><td>50</td><td>30</td><td>50</td><td>30</td></tr> <tr><td>RCR</td><td></td><td></td><td></td><td></td><td></td><td></td><td></td><td></td></tr> <tr><td>0</td><td>118</td><td>118</td><td>118</td><td>115</td><td>115</td><td>115</td><td>109</td><td>109</td></tr> <tr><td>1</td><td>108</td><td>103</td><td>99</td><td>105</td><td>101</td><td>97</td><td>96</td><td>93</td></tr> <tr><td>2</td><td>99</td><td>91</td><td>84</td><td>96</td><td>88</td><td>82</td><td>84</td><td>79</td></tr> <tr><td>3</td><td>90</td><td>80</td><td>72</td><td>87</td><td>78</td><td>71</td><td>74</td><td>68</td></tr> <tr><td>4</td><td>82</td><td>71</td><td>62</td><td>80</td><td>69</td><td>61</td><td>66</td><td>59</td></tr> <tr><td>5</td><td>76</td><td>63</td><td>54</td><td>73</td><td>62</td><td>54</td><td>59</td><td>52</td></tr> <tr><td>6</td><td>70</td><td>57</td><td>48</td><td>68</td><td>56</td><td>47</td><td>54</td><td>46</td></tr> <tr><td>7</td><td>65</td><td>52</td><td>43</td><td>63</td><td>51</td><td>42</td><td>49</td><td>41</td></tr> <tr><td>8</td><td>60</td><td>47</td><td>39</td><td>59</td><td>46</td><td>38</td><td>44</td><td>37</td></tr> <tr><td>9</td><td>56</td><td>43</td><td>35</td><td>55</td><td>42</td><td>35</td><td>41</td><td>34</td></tr> <tr><td>10</td><td>53</td><td>40</td><td>32</td><td>51</td><td>39</td><td>32</td><td>38</td><td>31</td></tr> </tbody> </table>				pfc =	20	30	40	50	60	70	80	90	Ceil									Wall	70	50	30	70	50	30	50	30	RCR									0	118	118	118	115	115	115	109	109	1	108	103	99	105	101	97	96	93	2	99	91	84	96	88	82	84	79	3	90	80	72	87	78	71	74	68	4	82	71	62	80	69	61	66	59	5	76	63	54	73	62	54	59	52	6	70	57	48	68	56	47	54	46	7	65	52	43	63	51	42	49	41	8	60	47	39	59	46	38	44	37	9	56	43	35	55	42	35	41	34	10	53	40	32	51	39	32	38	31									
pfc =	20	30	40	50	60	70	80	90																																																																																																																																											
Ceil																																																																																																																																																			
Wall	70	50	30	70	50	30	50	30																																																																																																																																											
RCR																																																																																																																																																			
0	118	118	118	115	115	115	109	109																																																																																																																																											
1	108	103	99	105	101	97	96	93																																																																																																																																											
2	99	91	84	96	88	82	84	79																																																																																																																																											
3	90	80	72	87	78	71	74	68																																																																																																																																											
4	82	71	62	80	69	61	66	59																																																																																																																																											
5	76	63	54	73	62	54	59	52																																																																																																																																											
6	70	57	48	68	56	47	54	46																																																																																																																																											
7	65	52	43	63	51	42	49	41																																																																																																																																											
8	60	47	39	59	46	38	44	37																																																																																																																																											
9	56	43	35	55	42	35	41	34																																																																																																																																											
10	53	40	32	51	39	32	38	31																																																																																																																																											

### 5FL LED specification industrial, solid reflector, 4000 nominal delivered lumens

LER - 151

<b>Catalog No.</b> 5FL440L840-PPS-UNV-DIM <b>Test No.</b> 40772 <b>S/MH</b> 1.3 <b>Lamp Type</b> LED <b>Lumens</b> 4116 <b>Input Watts</b> 27  Comparative yearly lighting energy cost per 1000 lumens – \$1.59 based on 3000 hrs. and \$.08 pwr KWH.  The photometric results were obtained in the Day-Brite laboratory which is NVLAP accredited by the National Institute of Standards and Technology.  Photometric values based on test performed in compliance with LM-79.	<b>Candlepower</b>	<b>Light Distribution</b>	<b>Average Luminance</b>																																																																																																																																							
	<table border="1"> <thead> <tr> <th>Angle</th> <th>End</th> <th>45</th> <th>Cross</th> <th>Back-45</th> </tr> </thead> <tbody> <tr><td>0</td><td>1483</td><td>1483</td><td>1483</td><td>1483</td></tr> <tr><td>5</td><td>1453</td><td>1479</td><td>1490</td><td>1479</td></tr> <tr><td>15</td><td>1397</td><td>1437</td><td>1462</td><td>1437</td></tr> <tr><td>25</td><td>1284</td><td>1354</td><td>1396</td><td>1354</td></tr> <tr><td>35</td><td>1116</td><td>1227</td><td>1282</td><td>1227</td></tr> <tr><td>45</td><td>910</td><td>1058</td><td>1119</td><td>1058</td></tr> <tr><td>55</td><td>678</td><td>850</td><td>791</td><td>850</td></tr> <tr><td>65</td><td>421</td><td>487</td><td>315</td><td>487</td></tr> <tr><td>75</td><td>219</td><td>177</td><td>123</td><td>177</td></tr> <tr><td>85</td><td>46</td><td>37</td><td>32</td><td>37</td></tr> </tbody> </table>	Angle	End	45	Cross	Back-45	0	1483	1483	1483	1483	5	1453	1479	1490	1479	15	1397	1437	1462	1437	25	1284	1354	1396	1354	35	1116	1227	1282	1227	45	910	1058	1119	1058	55	678	850	791	850	65	421	487	315	487	75	219	177	123	177	85	46	37	32	37	<table border="1"> <thead> <tr> <th>Degrees</th> <th>Lumens</th> <th>% Luminaire</th> </tr> </thead> <tbody> <tr><td>0-30</td><td>1167</td><td>28.4</td></tr> <tr><td>0-40</td><td>1927</td><td>46.8</td></tr> <tr><td>0-60</td><td>3430</td><td>83.3</td></tr> <tr><td>0-90</td><td>4116</td><td>100.0</td></tr> </tbody> </table>	Degrees	Lumens	% Luminaire	0-30	1167	28.4	0-40	1927	46.8	0-60	3430	83.3	0-90	4116	100.0	<table border="1"> <thead> <tr> <th>Zone</th> <th>End</th> <th>45°</th> <th>Cross</th> </tr> </thead> <tbody> <tr><td>45</td><td>7555</td><td>8789</td><td>9292</td></tr> <tr><td>55</td><td>6941</td><td>8705</td><td>8103</td></tr> <tr><td>65</td><td>5847</td><td>6774</td><td>4374</td></tr> <tr><td>75</td><td>4975</td><td>4006</td><td>2789</td></tr> <tr><td>85</td><td>3120</td><td>2460</td><td>2170</td></tr> </tbody> </table>	Zone	End	45°	Cross	45	7555	8789	9292	55	6941	8705	8103	65	5847	6774	4374	75	4975	4006	2789	85	3120	2460	2170																																									
Angle	End	45	Cross	Back-45																																																																																																																																						
0	1483	1483	1483	1483																																																																																																																																						
5	1453	1479	1490	1479																																																																																																																																						
15	1397	1437	1462	1437																																																																																																																																						
25	1284	1354	1396	1354																																																																																																																																						
35	1116	1227	1282	1227																																																																																																																																						
45	910	1058	1119	1058																																																																																																																																						
55	678	850	791	850																																																																																																																																						
65	421	487	315	487																																																																																																																																						
75	219	177	123	177																																																																																																																																						
85	46	37	32	37																																																																																																																																						
Degrees	Lumens	% Luminaire																																																																																																																																								
0-30	1167	28.4																																																																																																																																								
0-40	1927	46.8																																																																																																																																								
0-60	3430	83.3																																																																																																																																								
0-90	4116	100.0																																																																																																																																								
Zone	End	45°	Cross																																																																																																																																							
45	7555	8789	9292																																																																																																																																							
55	6941	8705	8103																																																																																																																																							
65	5847	6774	4374																																																																																																																																							
75	4975	4006	2789																																																																																																																																							
85	3120	2460	2170																																																																																																																																							
<b>Coefficients of Utilization</b> EFFECTIVE FLOOR CAVITY REFLECTANCE 20 PER (pfc=0.20)																																																																																																																																										
<table border="1"> <thead> <tr> <th>pfc =</th> <th>20</th> <th>30</th> <th>40</th> <th>50</th> <th>60</th> <th>70</th> <th>80</th> <th>90</th> </tr> </thead> <tbody> <tr><td>Ceil</td><td></td><td></td><td></td><td></td><td></td><td></td><td></td><td></td></tr> <tr><td>Wall</td><td>70</td><td>50</td><td>30</td><td>70</td><td>50</td><td>30</td><td>50</td><td>30</td></tr> <tr><td>RCR</td><td></td><td></td><td></td><td></td><td></td><td></td><td></td><td></td></tr> <tr><td>0</td><td>119</td><td>119</td><td>119</td><td>116</td><td>116</td><td>116</td><td>111</td><td>111</td></tr> <tr><td>1</td><td>109</td><td>105</td><td>101</td><td>107</td><td>103</td><td>99</td><td>98</td><td>95</td></tr> <tr><td>2</td><td>100</td><td>92</td><td>86</td><td>97</td><td>90</td><td>84</td><td>87</td><td>82</td></tr> <tr><td>3</td><td>91</td><td>81</td><td>73</td><td>89</td><td>80</td><td>72</td><td>77</td><td>70</td></tr> <tr><td>4</td><td>84</td><td>72</td><td>63</td><td>81</td><td>71</td><td>63</td><td>68</td><td>61</td></tr> <tr><td>5</td><td>77</td><td>64</td><td>56</td><td>75</td><td>63</td><td>55</td><td>61</td><td>54</td></tr> <tr><td>6</td><td>71</td><td>58</td><td>49</td><td>69</td><td>57</td><td>49</td><td>55</td><td>48</td></tr> <tr><td>7</td><td>66</td><td>53</td><td>44</td><td>64</td><td>52</td><td>43</td><td>50</td><td>43</td></tr> <tr><td>8</td><td>61</td><td>48</td><td>39</td><td>60</td><td>47</td><td>39</td><td>46</td><td>39</td></tr> <tr><td>9</td><td>57</td><td>44</td><td>36</td><td>56</td><td>43</td><td>36</td><td>42</td><td>35</td></tr> <tr><td>10</td><td>54</td><td>40</td><td>33</td><td>52</td><td>40</td><td>32</td><td>39</td><td>32</td></tr> </tbody> </table>				pfc =	20	30	40	50	60	70	80	90	Ceil									Wall	70	50	30	70	50	30	50	30	RCR									0	119	119	119	116	116	116	111	111	1	109	105	101	107	103	99	98	95	2	100	92	86	97	90	84	87	82	3	91	81	73	89	80	72	77	70	4	84	72	63	81	71	63	68	61	5	77	64	56	75	63	55	61	54	6	71	58	49	69	57	49	55	48	7	66	53	44	64	52	43	50	43	8	61	48	39	60	47	39	46	39	9	57	44	36	56	43	36	42	35	10	54	40	33	52	40	32	39	32
pfc =	20	30	40	50	60	70	80	90																																																																																																																																		
Ceil																																																																																																																																										
Wall	70	50	30	70	50	30	50	30																																																																																																																																		
RCR																																																																																																																																										
0	119	119	119	116	116	116	111	111																																																																																																																																		
1	109	105	101	107	103	99	98	95																																																																																																																																		
2	100	92	86	97	90	84	87	82																																																																																																																																		
3	91	81	73	89	80	72	77	70																																																																																																																																		
4	84	72	63	81	71	63	68	61																																																																																																																																		
5	77	64	56	75	63	55	61	54																																																																																																																																		
6	71	58	49	69	57	49	55	48																																																																																																																																		
7	66	53	44	64	52	43	50	43																																																																																																																																		
8	61	48	39	60	47	39	46	39																																																																																																																																		
9	57	44	36	56	43	36	42	35																																																																																																																																		
10	54	40	33	52	40	32	39	32																																																																																																																																		

Catalog No.	Delivered Lumens	Efficacy	Input Watts *	Uplight%
5FL440L840-PP2-UNV-DIM	4105	150	27	3.9
5FL440L840-PPS-UNV-DIM	4116	151	27	
5FL455L840-PP2-UNV-DIM	5517	152	36	4.0
5FL455L840-PPS-UNV-DIM	5538	152	37	
5FL470L840-PP2-UNV-DIM	7039	150	47	4.0

\* 347V and 480V models have the same input watts.

Catalog No.	Delivered Lumens	Efficacy	Input Watts *	Uplight%
5FL470L840-PPS-UNV-DIM	7074	151	47	
5FL880L840-PPS-UNV-DIM	8180	159	51	
5FL8110L840-PPS-UNV-DIM	10984	158	69	
5FL8140L840-PPS-UNV-DIM	14201	157	91	

The information presented in this document is not intended as any commercial offer and does not form part of any quotation or contract.





4655 South Coach Drive • Tucson, Arizona 85714 • 520.770.2650 (Phone) • 520.790.0729 (Fax)  
[www.midstatemechanical.com](http://www.midstatemechanical.com)

Date: 3/10/2020

Name: Adam Ford  
Company: City of El Mirage  
Address: 10355 N. 121<sup>st</sup> Avenue  
City, State, Zip: El Mirage, Arizona 85335

Project: Wastewater Building B and C  
Address: 12000 W. Peoria Avenue  
City, State, Zip: El Mirage, Arizona 85335

RE: Wastewater Building B and C Evaporative Coolers Installation

Proposal No.: 20-0036

## Quoted Via Mohave Contract # 19F-MMI2-0904

We would like to offer the following HVAC proposal. Our price includes all labor, material and equipment in accordance with the scope of work listed below.

### Scope of Work for Installation of Evaporative Cooler on Building B

- Furnish Structural Engineering for Roof Mounted Installation
- Furnish Structural Engineering support recommendations.
- Furnish and install (1) United Metal Products UMP-839D HL Evaporative Cooler
  1. 5990 CFM @ 0.2 ESP
  2. 1-1/2 HP Motor, 208/3/60 - 30 Amp
  3. 12" CELdek Evaporative Media
  4. 115V Heavy Duty Pump with Float and Bleed kit
  5. ETL Listed and Labeled per UL Standard 507, Includes CP215 Wiring Package
  6. Stamped Face Inlet Louvers
  7. Hinged Access Door
  8. Epoxy Powder Coated Components
  9. Heavy Gauge Hybralum Construction
  10. Plastiliner Reservoir Coating
  11. Dimensions 64"W x 47"H x 48"L
  12. Approximate Weight (Ship/Operate): (287/443) Lbs
  13. Discharge Opening 18.88" x 21.88"
- Furnish and install (1) Roof Curb for installation on Roof. Includes Roof patching.
- Furnish and install (1) Duct Drop to connect to down draft Evaporative Cooler with inverted cone connected for air distribution.
- Furnish and install (1) Fused Disconnect, Motor Starter w/overload, 115V Pump & 24v Control Transformer, Fusing, Factory wired and Mounted Integral to Unit. Labeled and Listed Per UL Standard 508A.
- Furnish and install (1) RSK-1 Four position Cooler Control Switch (Vent, Cool, Pump Only, Off).
- Furnish and install (1) New 208/3/60 – 30 Amp Breaker in existing panel.
- Furnish and install (1) 3/4" rigid conduit with 4#10 THHN-2 wire from panel to New Evaporative Cooler.
- Furnish and install (1) 3" Conduit from New Evaporative Cooler to a wall mounted switch.
- Furnish and install drain piping from Evaporative Cooler to Drain.

- Furnish and install water connections to (1) Pentair/Pentek 1-1/2" Single Cartridge with 4-1/2" X 20" Cartridge.
- Furnish and install water connection from Cartridge Filter to New Evaporative Cooler.
- Provide start up and check for proper operation.
- Includes bond, taxes and fees.

**Scope of Work for Installation of Evaporative Cooler on Building C**

- Furnish and install (1) United Metal Products UMP-839S HL Evaporative Cooler
  14. 5990 CFM @ 0.2 ESP
  15. 1-1/2 HP Motor, 460/3/60 - 30 Amp
  16. 12" CELdek Evaporative Media
  17. 115V Heavy Duty Pump with Float and Bleed kit
  18. ETL Listed and Labeled per UL Standard 507, Includes CP215 Wiring Package
  19. Stamped Face Inlet Louvers
  20. Hinged Access Door
  21. Epoxy Powder Coated Components
  22. Heavy Gauge Hybralume Construction
  23. Plastiliner Reservoir Coating
  24. Dimensions 64"W x 47"H x 48"L
  25. Approximate Weight (Ship/Operate): (287/443) Lbs
  26. Discharge Opening 18.88" x 21.88"
- Furnish and install (1) Evaporative Cooler Stand to mount Evaporative Cooler on the outside of Building C by the side wall louver.
- Furnish and install Ductwork to connect from New Evaporative Cooler to existing Wall louver on side of Building C.
- Furnish and install duct transition to distribute air flow from New Evaporative Cooler.
- Furnish and install (1) Fused Disconnect, Motor Starter w/overload, 115V Pump & 24v Control Transformer, Fusing, Factory wired and Mounted Integral to Unit. Labeled and Listed Per UL Standard 508A.
- Furnish and install (1) RSK-1 Four position Cooler Control Switch (Vent, Cool, Pump Only, Off).
- Furnish and install (1) New 480/3/60 – 30 Amp Breaker in existing panel.
- Furnish and install (1) 3/4" rigid conduit with 4#10 THHN-2 wire from panel to New Evaporative Cooler.
- Furnish and install (1) 3" Conduit from New Evaporative Cooler to a wall mounted switch.
- Furnish and install drain piping from Evaporative Cooler to Drain.
- Furnish and install water connection to (1) Pentair/Pentek 1-1/2" Single Cartridge with 4-1/2" X 20" Cartridge.
- Furnish and install water connection from Cartridge Filter to New Evaporative Cooler.
- Provide start up and check for proper operation.
- Includes bond, taxes and fees.

\*\*\* 1 year parts and labor warranty on Evaporative Coolers\*\*\*

<b>BASE BID HVAC PRICE</b>	<b>\$39,934.00</b>
----------------------------	--------------------

The following base price is valid for 30 days from the date of this proposal:

**Exclusions:**

Fire and Fire Smoke Dampers Not Shown	Trash Removal from Site	General Sheet Metal
Painting & Patching	Fencing or Site Access Control	Concrete or Asphalt Patchback or Repair
Import and Export of Backfill and Spoils	Saw Cutting, Coring and Removal of Waste	Poured and Formed Concrete
Temporary Water, Power and Heating	Grease Duct Enclosures	Kitchen Hoods & Suppression Systems

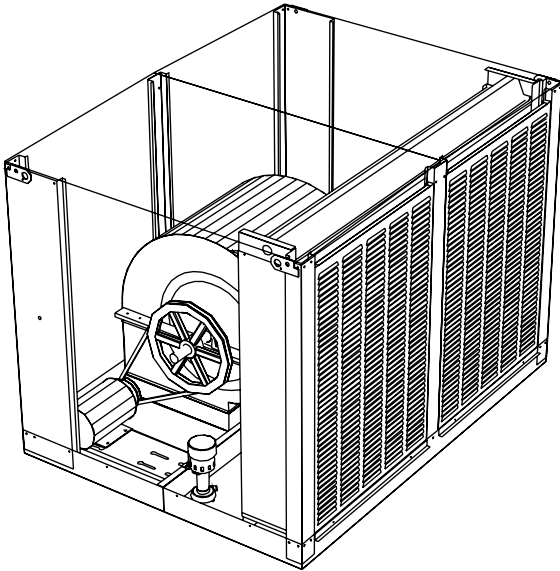
Metal Roof Flashing	Architectural Louvers and Mechanical Screen Wall Systems	Smoke Detectors
Rock & Caliche Excavation	Plumbing	Pre-finished Metals; including Cooper
3-D CAD Coordination Drawings	Traffic Plates and Control	Davis Bacon and/or Prevailing Wages
Off Hours, Night Hours and or Weekend Work	Control System	Buy American Act
Double Wall Duct	Fire Protection	Control Conduit

Acceptance of this bid is contingent upon the execution of a contract with mutually acceptable contract language. We look forward to working with your team on this project. Should you have any questions regarding this proposal, please do not hesitate to contact us.

Sincerely,



Rick Wagner  
 Midstate Mechanical  
 Mobile: 480-349-2718  
[rwagner@midstatemechanical.com](mailto:rwagner@midstatemechanical.com)



## Low Profile, Commercial / Industrial Evaporative Cooling 9,500 to 12,500 CFM Industry Standard Rating

### Features

- "Low profile" (only 47.25" high)
- External static pressure range of 0.0" to 1.2" W.G.
- Factory tested including factory wired options
- Copper-wound, heavy duty ball bearing motors
- One high capacity pump provides complete media saturation
- Self-aligning, heavy duty, greaseable, pillow block, ball type fan bearings
- Premium 8" or 12" thick cross fluted media for 80% to 90% evaporative efficiency
- Lifting sky hooks
- Heavy gauge, Hybralume<sup>™</sup> construction
- Epoxy powder base paint finish baked on at 375° on key components
- Rugged cabinet assembly with double thick Hybralume<sup>™</sup> corners
- "Rain-Tight" pitched top construction (1/4"/12")
- Easily accessible external distributor clean-outs
- Side access media removal
- Adjustable motor sheave for air flow adjustment
- Plastiliner<sup>™</sup> coated reservoir

### • 800 Series - "Low Profile"

- UMP-839-HL
  - Up Discharge
  - Side Discharge
  - Down Discharge



### Available Options

- U.L. 900 media
- Distribution flush system
- Freeze protection
- Hinged access door
- 2" Pre-filters
- Installation accessories
- Fused and non-fused disconnects
- CP-215 wiring package
- Single point power connection
- ETL listed and labeled in accordance with U.L. standards

### Resources Available for This Product

- Catalog By Mail
- Catalog Online



Patent #4774030 or other patents pending

### United Metal Products

1920 E Broadway Road Tempe, AZ 85282  
 T 480.968.9550  
 F 480.968.9555  
[www.unitedmetal.com](http://www.unitedmetal.com)



Model	Industry Standard Rating	Media Depth	Eff'y @ 500 FPM	HP	AIR DELIVERY IN CUBIC FEET PER MINUTE																									
					Inches Static Pressure (W.G.) ①																									
					0	0.1	0.2	0.3	0.4	0.5	0.6	0.7	0.8	0.9	1.0	1.1	1.2	CFM	RPM	CFM	RPM	CFM	RPM	CFM	RPM	CFM	RPM	CFM	RPM	CFM
UMP-839-HL Up (U) Side (S) Down (D)	9,500	8"	80%	1	6,120	371	5,830	393	5,560	411	5,320	431	5,030	456	4,820	475	4,530	501	4,300	522	4,010	549	3,720	576	--	--	--	--	--	--
		12"	90%	1	5,980	379	5,690	402	5,440	421	5,230	438	4,920	464	4,930	482	4,440	509	4,190	530	3,900	557	--	--	--	--	--	--	--	--
	10,500	8"	80%	1 1/2	7,030	432	6,760	442	6,550	457	6,290	478	6,100	493	5,830	515	5,620	533	5,410	552	5,160	575	4,970	591	4,730	614	4,530	633	4,280	657
		12"	90%	1 1/2	6,880	434	6,600	453	6,420	468	6,170	485	5,990	502	5,730	524	5,520	543	5,340	559	5,090	582	4,900	598	4,670	621	4,460	640	--	--
	11,500	8"	80%	2	7,700	467	7,480	484	7,300	496	7,060	515	6,890	528	6,660	548	6,450	564	6,290	578	6,060	599	5,860	616	5,630	637	5,450	653	5,220	675
		12"	90%	2	7,550	479	7,310	497	7,160	507	6,920	526	6,750	540	6,500	560	6,340	574	6,190	586	5,970	607	5,780	624	5,550	645	5,370	660	5,150	681
12,500	8"	80%	3	8,790	537	8,590	552	8,430	562	8,300	572	8,090	588	7,980	598	7,760	615	7,620	627	7,400	645	7,310	652	7,050	675	6,840	693	6,680	708	
	12"	90%	3	8,600	550	8,390	566	8,270	575	8,160	583	7,950	600	7,830	610	7,620	627	7,480	638	7,270	655	7,070	673	6,930	686	6,720	704	6,580	717	

Model	ELECTRICAL SPECIFICATIONS						BLOWER UNIT		Evaporative Media	Weights (Lbs) ③	
	Fan Motor ②				Pump ④		Dia.	Type		Qty.-Depth x Width x Height	Shipping
	HP	Max BHP	Volt/Phase 115/208/230 1-Phase Amps	Volt/Phase 208/230/460 3-Phase Amps	GPM @ 5' Head	Volt/Phase 115/ 1-Phase Amps					
UMP-839-HL Up (U) Side (S) Down (D)	1	1.15	16.0/8.8/8.0	4.6/4.2/2.1	7.5	1.7	18" x 18"	DWDI-FC	5 - 8" x 12" x 39"	277	413
	1	1.15	16.0/8.8/8.0	4.6/4.2/2.1	13.7	2.3	18" x 18"	DWDI-FC	5 - 12" x 12" x 39"	288	443
	1 1/2	1.73	20.0/11.0/10.0	6.6/6.0/3.0	7.5	1.7	18" x 18"	DWDI-FC	5 - 8" x 12" x 39"	288	424
	1 1/2	1.73	20.0/11.0/10.0	6.6/6.0/3.0	13.7	2.3	18" x 18"	DWDI-FC	5 - 12" x 12" x 39"	299	455
	2	2.3	24.0/13.2/12.0	7.5/6.8/3.4	7.5	1.7	18" x 18"	DWDI-FC	5 - 8" x 12" x 39"	316	452
	2	2.3	24.0/13.2/12.0	7.5/6.8/3.4	13.7	2.3	18" x 18"	DWDI-FC	5 - 12" x 12" x 39"	327	483
	3	3.45	--/18.7/17.0	10.6/9.6/4.8	7.5	1.7	18" x 18"	DWDI-FC	5 - 8" x 12" x 39"	327	463
	3	3.45	--/18.7/17.0	10.6/9.6/4.8	13.7	2.3	18" x 18"	DWDI-FC	5 - 12" x 12" x 39"	338	494

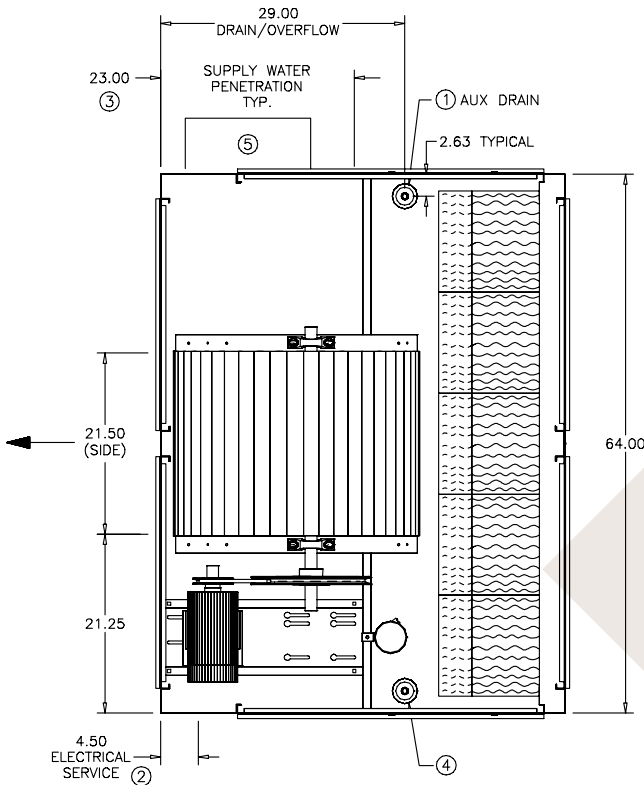
- UMP-800 series, blower type evaporative coolers are designed for ducted applications with external static pressure ranges of 0.0" through 1.2". For straight down ducted low static applications with external static pressure ranges of 0.0" to 0.2" a UMP-700 series propeller type axial fan model may be recommended.
- Only motors 1 HP or less are provided with integral thermal protection. Motors 1.5 HP or greater require a separate motor overload device. Amperage ratings shown are NEC at nominal HP. Usable at 208v. Consult factory for overload and control options.
- Weights are in pounds and include motors, pumps and drives. Operating weights include saturated media and assumes 2.5" depth of water in sump. Weights exclude optional accessories such as curb, diffuser and controls.
- 230v pumps are available; contact UMP for details.

\* Performance rating is at max BHP and includes the effects of the evaporative media, inlet louver, motor and drives in the airstream.  
 \* Fan performance shown is based on tests made in accordance with AMCA 210-85, installation Type B; free inlet, ducted outlet.  
 \* Power rating (BHP) does not include drive losses

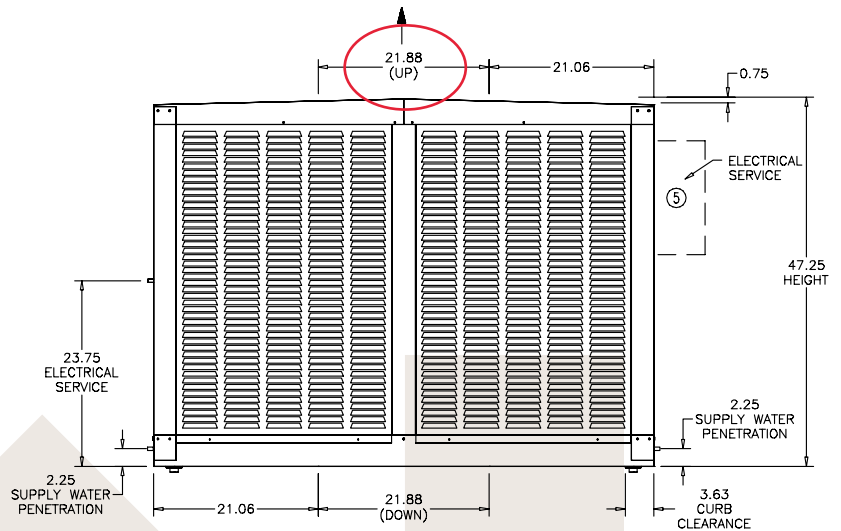


## UMP-839-HL

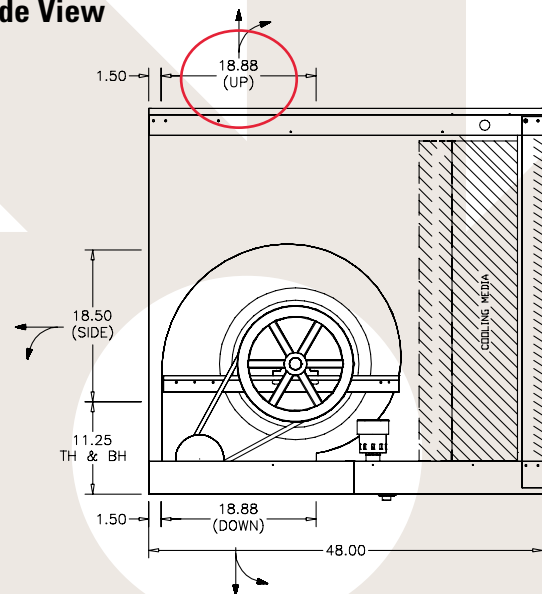
### Top View



### End View



### Side View



- ① **Auxiliary Drain** - (3/4" male hose thread) - Consult factory for special applications.
  - A. Distributor Flush System** - May be externally plumbed (by others). The installer has the option to run the flush line internally to the overflow tube or secure the flush line back into the sump. If the installer chooses to run the flush line internally to the auxiliary drain then it will be necessary to externally plumb the auxiliary drain.
  - B. Freeze Kit** - Must be externally plumbed (by others) when utilizing optional Freeze Kit. Note: When the optional Freeze Kit is used in conjunction with the optional Flush Kit, the flush line will be factory mounted back into the sump only.
- ② **Electrical Service** - 7/8" entrance for 1/2" conduit.  
Note: When the unit is supplied with an Integral Single Point Power Connection/Control Panel the electrical service entrance will be on the opposite side of the unit than shown here. Also, the supply water penetration will be on the opposite side than shown here (opposite the electrical panel).
- ③ **Float** - 3/8" Compression fitting connection made inside unit. Minimum 15 p.s.i. water pressure is recommended to deliver the volume needed to meet the high summer evaporation and bleed requirements. Do not exceed 125 p.s.i.
- ④ **Primary Drain / Overflow** - (3/4" male hose thread) must be externally plumbed (by others).
- ⑤ **Optional** - F1, G1 Electrical Service





5858 W. Riggs Rd. • Chandler, AZ 85226  
P.O. Box 51420 • Phoenix, AZ 85076

[www.revolutionindustrial.com](http://www.revolutionindustrial.com)

P: (480) 993-6699 • F: (480) 718-7656

**Proposal #20-774**

8/26/20

Revolution Industrial is pleased to present our proposal for:

**Client:** Garney

**Project:** City of El Mirage Floor and Wall Coating

**This scope of work includes:**

- All labor, material, and equipment to prep and coat the floor and walls on site.

**Our price for this scope of work is as follows:**

1. Floor Price of - \$ 7,590.00
  - a. Duration – 4 Days (10 hours)
2. Wall Price of - \$ 6,561.00
  - a. Duration – 4 Days (10 hours)
3. Taxes Excluded (Taxes to be included if tax exemption not provided)

**Clarifications:**

- All work to be performed according to OSHA/MSHA and site-specific safety regulations.
- Quote valid for 30 days from date on proposal.
- Pre-Job Notification:  
Owner/Contractor needs to be aware that Revolution Industrial routinely files preliminary notices on projects solely to protect Revolution Industrial's rights in case of dispute or non-payment. This is done to fulfill state requirements allowing us to protect our legal rights

**Exclusions:**

- Any other item not specifically listed above
- Bonds and Permits
- Third Party Testing and Inspection
- Professional Engineering services and/or stamps
- Electrical/ Utilities
- Blue stake/utility locating
- Delays in work caused by other trades
- Liquidated damage clauses
- Prevailing Wages

*Sincerely,*

Tyrel Brunson – Project Manager

C: 928.812.2610

[tyrel@revolutionindustrial.com](mailto:tyrel@revolutionindustrial.com)

---

*This proposal is the sole property of Revolution Industrial. The contents herein are strictly confidential and are supplied on the understanding that they will be held confidentially and not disclosed to third parties without the prior written consent of Revolution Industrial. (© 2015)*