



Axon Enterprise, Inc.
 17800 N 85th St.
 Scottsdale, Arizona 85255
 United States
 Phone: (800) 978-2737

Q-290562-44274.902MS

Issued: 03/19/2021

Quote Expiration: 04/10/2021

Account Number: 106879

Payment Terms: Net 30
 Delivery Method: Fedex - Ground

SALES REPRESENTATIVE

Mike Schmidt
 Phone: (480) 502-6279
 Email: mschmidt@axon.com
 Fax:

PRIMARY CONTACT

Timothy Mason
 Phone: (623) 500-3041
 Email: tmason@elmirageaz.gov

SHIP TO

Timothy Mason
 El Mirage Police Dept. - AZ
 12401 W Cinnabar Ave
 El Mirage, AZ 85335
 US

BILL TO

El Mirage Police Dept. - AZ
 10000 N El Mirage Rd
 El Mirage, AZ 85335
 US

Year 1

Item	Description	Term (Months)	Quantity	List Unit Price	Net Unit Price	Total (USD)
Axon Plans & Packages						
50071	AXON STREAMING SERVER LICENSE (PER SERVER)		2	1,750.00	0.00	0.00
50070	AXON CLIENT SOFTWARE (EACH CLIENT AND TOUCH PANEL)		3	1,500.00	771.33	2,313.99
50055	INTERVIEW ROOM UNLIMITED EVIDENCE.COM LICENSE YEAR 1 PAYMENT		3	1,188.00	0.00	0.00
73840	EVIDENCE.COM BASIC ACCESS LICENSE	59	1	0.00	0.00	0.00
50045	INTERVIEW ROOM UNLIMITED EVIDENCE.COM STORAGE ACCESS	59	3	0.00	0.00	0.00
Hardware						
50295	AXON INTERVIEW PRO SERVER		2	4,455.00	0.00	0.00
50218	AXIS F41 COVERT MAIN UNIT - NON SER		6	595.00	595.00	3,570.00
74116	INTERVIEW COVERT ENCLOSURE - AV WALL PLATE, FLUSH MOUNTED		2	121.00	121.00	242.00
50118	LOUROE MICROPHONE		6	196.50	196.50	1,179.00
50221	HP SWITCH - 24PORT GIGABIT POE MANAGED SWITCH - NON SER		1	1,305.00	1,305.00	1,305.00
50268	TOUCH PANEL		3	1,600.00	0.00	0.00
74056	WALL MOUNT		3	64.00	64.00	192.00
74062	INTERVIEW ROOM 5 YR EXTENDED WARRANTY		3	1,297.00	1,297.00	3,891.00
50114	COVERT CAMERA, SENSOR UNIT		6	370.00	370.00	2,220.00

Year 1 (Continued)

Item	Description	Term (Months)	Quantity	List Unit Price	Net Unit Price	Total (USD)
Hardware (Continued)						
74059	MOTION SENSOR ENCLOSURE – COVERT CAMERA		1	135.00	135.00	135.00
74055	FIRE STROBE - RED		3	222.00	222.00	666.00
Other						
50046	INTERVIEW ROOM UNLIMITED EVIDENCE.COM STORAGE PAYMENT	12	3	1,188.00	1,188.00	3,564.00
Services						
85170	INTERVIEW ROOM, INSTALL AND SETUP		3	2,500.00	0.00	0.00
					Subtotal	19,277.99
					Estimated Shipping	0.00
					Estimated Tax	1,238.65
					Total	20,516.64

Year 2

Item	Description	Term (Months)	Quantity	List Unit Price	Net Unit Price	Total (USD)
Axon Plans & Packages						
50056	INTERVIEW ROOM UNLIMITED EVIDENCE.COM LICENSE YEAR 2 PAYMENT		3	1,188.00	3,034.66	9,103.98
50072	AXON STREAMING SERVER SOFTWARE MAINTENANCE ANNUAL PAYMENT		2	350.00	350.00	700.00
50074	AXON CLIENT SOFTWARE MAINTENANCE ANNUAL PAYMENT		3	300.00	300.00	900.00
Other						
50046	INTERVIEW ROOM UNLIMITED EVIDENCE.COM STORAGE PAYMENT	12	3	1,188.00	1,188.00	3,564.00
					Subtotal	14,267.98
					Estimated Tax	1,148.57
					Total	15,416.55

Year 3

Item	Description	Term (Months)	Quantity	List Unit Price	Net Unit Price	Total (USD)
Axon Plans & Packages						
50057	INTERVIEW ROOM UNLIMITED EVIDENCE.COM LICENSE YEAR 3 PAYMENT		3	1,188.00	3,034.66	9,103.98
50072	AXON STREAMING SERVER SOFTWARE MAINTENANCE ANNUAL PAYMENT		2	350.00	350.00	700.00

Year 3 (Continued)

Item	Description	Term (Months)	Quantity	List Unit Price	Net Unit Price	Total (USD)
Axon Plans & Packages (Continued)						
50074	AXON CLIENT SOFTWARE MAINTENANCE ANNUAL PAYMENT		3	300.00	300.00	900.00
Other						
50046	INTERVIEW ROOM UNLIMITED EVIDENCE.COM STORAGE PAYMENT	12	3	1,188.00	1,188.00	3,564.00
					Subtotal	14,267.98
					Estimated Tax	1,148.57
					Total	15,416.55

Year 4

Item	Description	Term (Months)	Quantity	List Unit Price	Net Unit Price	Total (USD)
Axon Plans & Packages						
50058	INTERVIEW ROOM UNLIMITED EVIDENCE.COM LICENSE YEAR 4 PAYMENT		3	1,188.00	3,034.66	9,103.98
50072	AXON STREAMING SERVER SOFTWARE MAINTENANCE ANNUAL PAYMENT		2	350.00	350.00	700.00
50074	AXON CLIENT SOFTWARE MAINTENANCE ANNUAL PAYMENT		3	300.00	300.00	900.00
Other						
50046	INTERVIEW ROOM UNLIMITED EVIDENCE.COM STORAGE PAYMENT	12	3	1,188.00	1,188.00	3,564.00
					Subtotal	14,267.98
					Estimated Tax	1,148.57
					Total	15,416.55

Year 5

Item	Description	Term (Months)	Quantity	List Unit Price	Net Unit Price	Total (USD)
Axon Plans & Packages						
50059	INTERVIEW ROOM UNLIMITED EVIDENCE.COM LICENSE YEAR 5 PAYMENT		3	1,188.00	3,034.66	9,103.98
50072	AXON STREAMING SERVER SOFTWARE MAINTENANCE ANNUAL PAYMENT		2	350.00	350.00	700.00
50074	AXON CLIENT SOFTWARE MAINTENANCE ANNUAL PAYMENT		3	300.00	300.00	900.00

Year 5 (Continued)

Item	Description	Term (Months)	Quantity	List Unit Price	Net Unit Price	Total (USD)
Other						
50046	INTERVIEW ROOM UNLIMITED EVIDENCE.COM STORAGE PAYMENT	12	3	1,188.00	1,188.00	3,564.00
					Subtotal	14,267.98
					Estimated Tax	1,148.57
					Total	15,416.55
Grand Total						82,182.84



Discounts (USD)

Quote Expiration: 04/10/2021

List Amount	84,650.00
Discounts	8,300.09
Total	76,349.91

**Total excludes applicable taxes*

Summary of Payments

Payment	Amount (USD)
Year 1	20,516.64
Year 2	15,416.55
Year 3	15,416.55
Year 4	15,416.55
Year 5	15,416.55
Grand Total	82,182.84

STATEMENT OF WORK & CONFIGURATION DOCUMENT

Axon Interview Recording Platform

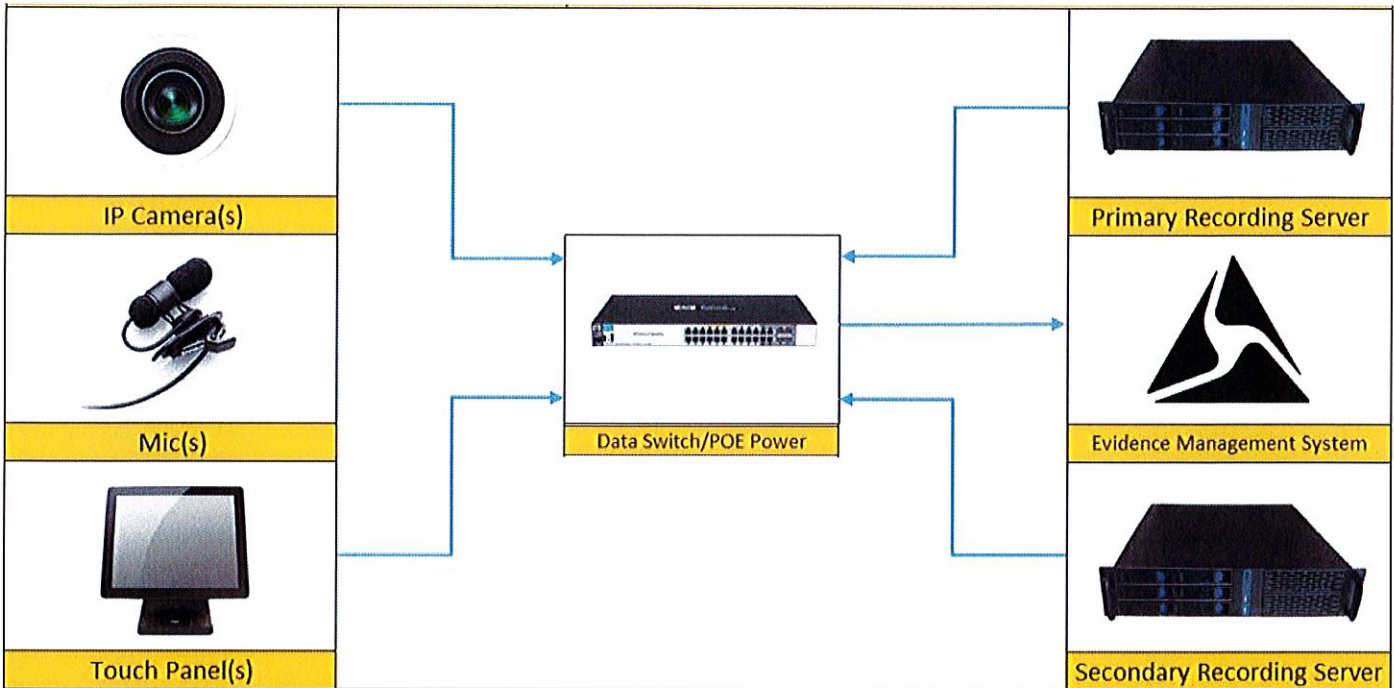
This document details a proposed system design

Agency Created For: El Mirage Police Dept. - AZ

Sold By:	Mike Schmidt
Designed By:	Ashlyn Frahm
Installed By:	Axon Professional Services
Customer Contact:	
Target Install Date:	

AXON INTERVIEW RECORDING PLATFORM

This image is intended to be a general visual of how Interview Room is configured. Please read through the SOW for configuration specific to this deal.



AXON-PROVIDED HARDWARE SUMMARY

The following section offers a broad summary of the Axon-provided hardware needed to configure this order. With the exception of server quantities, QUANTITIES DO NOT REFLECT CUSTOMER-PROVIDED ITEMS.

Total Camera Configurations		<u>Locations</u>	<u># Rooms</u>
6	Camera(s)	HQ	3
6	Covert Enclosure(s)		
6	Microphone(s) Injector(s)		
Total Switches			
1	POE Switch(es)		
Total Servers			
2	Server(s) <i>(customer-provided included)</i>		
Total Touch Panels			
3	Touch Panel(s) <i>(virtual not included)</i>		
3	Wall Mount(s)		
Total Camera Configurations			
0	I/O Box(es)		

INTERVIEW ROOM OVERVIEW

The following sections detail the configuration of the Axon Interview recording system at all locations.

Network Considerations

Network Requirements	Each IP Camera will be connected to a POE switch that provides the device with power and network connectivity.		
	Each Recording Server must be given a static IPv4 network address that is routable across the network.		
	Each IP Camera must be given a static IPv4 network address that is routable across the network.		
	Each touch panel/kiosk must be given a static IPv4 network address that is routable across the network.		
Network Addressing	Network Device	Static IPs	Total IPs
	Qty of IP Cameras	6	11
	Qty of Touch Panels	3	
	Qty of Recording Servers	2	
Data Switch Provisioning	This install will require POE data switches at each location.		
Virtual Kiosks	1 workstations will require virtual kiosk software to be installed.		
Customer Provided Items	Customer to provide all device IP addresses Customer to also provide: <ul style="list-style-type: none"> • Subnet Mask • Gateway IP • DNS/WINS IP • Time Server IP 		
	Customer IT staff will configure all switches with proper network configuration.		

Metadata Tags

Metadata Tagging	The system will collect metadata information prior to, and after, the interview recording process (i.e. Interviewer Name, Interviewee Name, Case Number).
Metadata Tags	Information collected prior to recording: <ul style="list-style-type: none"> • Interviewee first and last name • Case number • Case type • Interviewee type Information collected post recording: <ul style="list-style-type: none"> • Interviewer name(s)
Customer Provided Items	Customer to provide preferred metadata fields.
Axon Provided Items	Axon to facilitate the creation of metadata fields.

NETWORK CONFIGURATION DETAILS

The following section offers a broad summary of the Axon-provided hardware needed to configure this order.

Network Configuration Details

Evidence Management System	Evidence.com
Application Features	<p>Network Applications:</p> <ul style="list-style-type: none">• Remote monitoring application <p>Evidence.com Application Features:</p> <ul style="list-style-type: none">• Secure Cloud Storage• Redaction• Download/Sharing• Audit Trail• Reporting

Training

Application Package	<p>This solution will include on-site application training covering:</p> <ul style="list-style-type: none">• Touch panel overview• Initiating interview wizard• Entering metadata• Controlling the interview process• Closing an interview• Evidence.com functionality
----------------------------	---

Additional General Deal Notes

Notes	<p>3 Interview Rooms with Touch Panels mounted right outside 1 Location 6 Covert Cameras 2 Por Servers 24 Port POE Switch</p>
--------------	---

LOCATION DETAILS: HQ

The following sections detail the configuration of the Axon Interview recording system at HQ

Location Name	HQ
----------------------	----

Cable Considerations

Cabling Runs	Axon Professional Services will install the networking cables using a Cat6e Cable.	
	12	cable runs are required for this installation.
	8	110v power outlets are required for this installation (Customer Responsibility).
Cabling Requirements	<p>All Devices: Network cabling must be provided for the following devices:</p> <ul style="list-style-type: none"> • Axis IP Camera • Server • Touch Panel or PC running a virtual Touch Panel • POE Switch 	

Servers, Switches, Touch Panels

Servers	Axon Interview Standard Server	Quantity:	1
	Axon Interview Standard Server		1
Redundancy	This system includes recording redundancy		
Data Switch/POE Power	HPE Aruba 2530 24-Port POE Switch	Quantity:	1
Touch Panels	POS-X Touch Panel		
Touch Panel Location	Wall mounted outside each room		
Number of I/O Boxes Required	0		

Additional Location Notes

Notes	
--------------	--

ROOM DETAILS: Family Room

The following sections detail the configurations specific to FAMILY ROOM

Location Name	HQ
Room Name	Family Room

Camera Configuration

Camera 1	Camera 1 will be a(n) : AXIS F41/F1025 Covert IP Camera Covert Enclosure : Fire Strobe Enclosure Mic: Louroe Tamper Proof Mic
Camera 2	Camera 2 will be a(n) : AXIS F41/F1025 Covert IP Camera Covert Enclosure : Motion Sensor Enclosure Mic: Louroe Tamper Proof Mic
Recording Activation	Recording will be triggered via IR Client
External Recording-In-Progress Visual	N/A
Wall Configuration	Drywall with Soundproofing
Ceiling Configuration	Sealed Ceiling

Additional Location Notes

Notes	Fire Strobe and Motion Sensor for higher view
--------------	---

ROOM DETAILS: Interview Room 1

The following sections detail the configurations specific to INTERVIEW ROOM 1

Location Name	HQ
Room Name	Interview Room 1

Camera Configuration

Camera 1	Camera 1 will be a(n) : AXIS F41/F1025 Covert IP Camera Covert Enclosure : Fire Strobe Enclosure Mic: Louroe Tamper Proof Mic
Camera 2	Camera 2 will be a(n) : AXIS F41/F1025 Covert IP Camera Covert Enclosure : Flush Mount Enclosure Mic: Louroe Tamper Proof Mic
Recording Activation	Recording will be triggered via IR Client
External Recording-In-Progress Visual	N/A
Wall Configuration	Drywall with Soundproofing
Ceiling Configuration	Sealed Ceiling

Additional Location Notes

Notes	Fire Strobe and Flush Mount
--------------	-----------------------------

ROOM DETAILS: Interview Room 2

The following sections detail the configurations specific to INTERVIEW ROOM 2

Location Name	HQ
Room Name	Interview Room 2

Camera Configuration

Camera 1	Camera 1 will be a(n) : AXIS F41/F1025 Covert IP Camera Covert Enclosure : Fire Strobe Enclosure Mic: Louroe Tamper Proof Mic
Camera 2	Camera 2 will be a(n) : AXIS F41/F1025 Covert IP Camera Covert Enclosure : Flush Mount Enclosure Mic: Louroe Tamper Proof Mic
Recording Activation	Recording will be triggered via IR Client
External Recording-In-Progress Visual	N/A
Wall Configuration	Drywall with Soundproofing
Ceiling Configuration	Sealed Ceiling

Additional Location Notes

Notes	Fire Strobe and Flush Mount
--------------	-----------------------------

Axon International, Inc's Sales Terms and Conditions for Direct Sales to End User Purchasers

This Statement of Work is bound to the applicable signed quote. Upon confirmation of the installation dates, to be confirmed in writing, the agency will give no less than a 2-week advanced notice of cancellation or change from the date of the scheduled installation. In the event the Agency cancels 2 weeks or less from the date of the scheduled installation, the agency will be responsible for all travel booked, and resource costs associated with the cancelled installation. Rescheduling of the installation will be at the discretion of Axon Professional Services based on available dates within the installation schedule calendar.

Changes to the scope of this SOW must be documented and agreed upon by the Parties in a change order. If the changes cause an increase or decrease in any charges or cause a scheduling change from that originally agreed upon, an equitable adjustment in the charges or schedule will be agreed upon by the Parties and included in the change order, signed by both Parties.

Tax is subject to change at order processing with valid exemption.

Axon's Sales Terms and Conditions

This Quote is limited to and conditional upon your acceptance of the provisions set forth herein and Axon's Master Services and Purchasing Agreement (posted at www.axon.com/legal/sales-terms-and-conditions), as well as the attached Statement of Work (SOW) for Axon Fleet and/or Axon Interview Room purchase, if applicable. Any purchase order issued in response to this Quote is subject solely to the above referenced terms and conditions. By signing below, you represent that you are lawfully able to enter into contracts. If you are signing on behalf of an entity (including but not limited to the company, municipality, or government agency for whom you work), you represent to Axon that you have legal authority to bind that entity. If you do not have this authority, please do not sign this Quote.

Signature: J. Crystal Dyches Date: 3/23/21
Name (Print): J. Crystal Dyches Title: City Manager
PO# (Or write N/A): _____

Please sign and email to Mike Schmidt at mschmidt@axon.com or fax to

Thank you for being a valued Axon customer. For your convenience on your next order, please check out our online store buy.axon.com

The trademarks referenced above are the property of their respective owners.

Axon Internal Use Only		
		SFDC Contract #: Order Type: RMA #: Address Used: SO #:
Review 1	Review 2	
Comments:		



17800 N 85TH STREET
SCOTTSDALE, ARIZONA 85255

AXON.COM

December 17, 2020

To: United States state, local and municipal law enforcement agencies

Re: Sole Source Letter for Axon Enterprise, Inc.'s Axon brand products and Axon Evidence (Evidence.com) Data Management Solutions¹

A sole source justification exists because the following goods and services required to satisfy the agency's needs are only manufactured and available for purchase from Axon Enterprise.

Axon Digital Evidence Solution Description

Axon Body 3 Video Camera (DVR)

- Improved video quality with reduced motion blur and better low-light performance
- Multi-mic audio—four built-in microphones
- Wireless upload option
- Gunshot detection and alerts
- Streaming audio and video capability
- "Find my camera" feature
- Verbal transcription with Axon Records (coming soon)
- End-to-end encryption
- Twelve-hour battery
- Up to 120-second buffering period to record footage before pressing record button

Axon Flex 2 Video Camera

- Video playback on mobile devices in the field via Bluetooth pairing
- Retina Low Light capability sensitive to less than 0.1 lux
- Audio tones to alert user of usage
- Low SD, high SD, low HD, and high HD resolution (customizable by the agency)
- Up to 120-second buffering period to record footage before pressing record button
- Multiple mounting options using magnetic attachment: head, collar, shoulder, helmet, ball cap, car dash, and Oakley sunglass mounts available
- 120-degree diagonal field of view camera lens, 102-degree horizontal field of view, and 55-degree vertical field of view

Axon Flex 2 Controller

- 12+ hours of battery operation per shift (even in recording mode)
- LED lights to show current battery level and operating mode
- Haptic notification available
- Tactical beveled button design for use in pocket
- Compatible with Axon Signal technology

Axon Air System

- Purpose-built solution for law enforcement UAV programs
- Supported applications on iOS and Android

¹ Axon is also the sole developer and offeror of the Evidence.com data management services. Evidence.com is both a division of Axon and a data management product solution offered by Axon. Evidence.com is not a separate corporate entity.



1740 N 65TH STREET
TUCSON, ARIZONA 85714

AXON.COM

- Automated tracking of pilot, aircraft, and flight logs
- Unlimited Storage of UAV data in Axon Evidence (Evidence.com)
- In application ingestion of data in Axon Evidence (Evidence.com)
- Axon Aware integration for live streaming and situational awareness

Axon Body 2 Video Camera

- Video playback on mobile devices in the field via Bluetooth pairing
- Retina Low Light capability sensitive to less than 1 lux
- Audio tones and haptic (vibration) notification to alert user of usage
- Audio mute during event option
- Wi-Fi capability
- High, medium, and low quality recording available (customizable by the agency)
- Up to 2-minute buffering period to record footage before pressing record button
- Multiple mounting options using holster attachment: shirt, vest, belt, and dash mounts available
- 12+ hours of battery operation per shift (even in recording mode)
- LED lights to show current battery level and operating mode
- 143-degree lens
- Includes Axon Signal technology

Axon Fleet 3 Camera

- High-definition Dual-View Camera with panoramic field of view, 12x zoom, and AI processing for automatic license plate reader (ALPR)
- High-definition Interior Camera with infrared illumination for back seat view in complete darkness
- Wireless Mic and Charging Base for capturing audio when outside of vehicle
- Fleet Hub with connectivity, global navigation satellite system (GNSS), secure solid-state storage, and Signal inputs
- Automatic transition from Buffering to Event mode with configurable Signals
- Video Recall records last 24 hours of each camera in case camera not activated for an event
- Intuitive mobile data terminal app, Axon Dashboard, for controlling system, reviewing video, quick tagging, and more
- Ability to efficiently categorize, play back and share all video and audio alongside other digital files on Evidence.com
- Multi-cam playback, for reviewing up to four videos, including body-worn and in-car footage, at the same time
- Fully integrated with Evidence.com services and Axon devices
- Automatic time synchronization with all Axon Fleet and other Axon on-officer cameras allows for multi-camera playback on Evidence.com.
- Prioritized upload to Evidence.com of critical event videos via 4G/LTE
- Wireless alerts from the TASER CEW Signal Performance Power Magazine (SPPM) and Signal Side Arm (SSA).
- Best-in-class install times, wireless updates and quick remote troubleshooting
- Optional Axon Aware live stream, alerts, and location updates for situational awareness
- Optional Axon ALPR hotlist alerts, plate read retention, and investigative search



17600 N. GILBERT STREET
SCOTTSDALE, ARIZONA 85254

AXON.COM

Axon Fleet 2 Camera

- Fully integrated with Axon Evidence services and Axon devices
- Automatic time synchronization with other Axon Fleet and Axon on-officer cameras allows for multi-camera playback on Axon Evidence.
- Immediate upload to Axon Evidence of critical event videos via 4G/LTE
- Wireless alerts from the TASER CEW Signal Performance Power Magazine (SPPM).
- Automatic transition from BUFFERING to EVENT mode in an emergency vehicle equipped with the Axon Signal Unit
- Decentralized system architecture without a central digital video recorder (DVR).
- Cameras that function independently and communicate wirelessly with the computer in the vehicle (MDT, MDC, MDU) for reviewing, tagging and uploading video.
- Wireless record alert based on Bluetooth communication from Axon Signal Vehicle when a configured input is enabled (e.g. emergency light, siren, weapon rack, etc.).
- Receives alerts from Axon Signal Sidearm.
- Plug-And-Play design allowing for cameras to be easily replaced and upgraded.
- Ability for an unlimited number of agency vehicles recording in the same vicinity with an Axon Fleet system to be automatically associated with one another when reviewing video in the video management platform. This feature is also supported across body cameras.

Axon Signal Unit (ASU)

- Communications device that can be installed in emergency vehicles.
- With emergency vehicle light bar activation, or other activation triggers, the Axon Signal Unit sends a signal. Upon processing the signal, an Axon system equipped with Axon Signal technology transitions from the BUFFERING to EVENT mode.

Axon Signal Performance Power Magazine (SPPM)

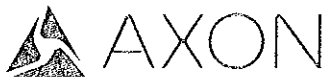
- Battery pack for the TASER X2 and X26P conducted electrical weapons
- Shifting the safety switch from the down (SAFE) to the up (ARMED) positions sends a signal from the SPPM. Upon processing the signal, an Axon system equipped with Axon Signal technology transitions from the BUFFERING to EVENT mode. Axon Signal technology only works with Axon cameras.

Axon Signal Sidearm Sensor

- Can be installed on common duty holsters
- Drawing a service handgun from the holster sends a signal from the Axon Signal Sidearm sensor. Upon processing the signal, an Axon system equipped with Axon Signal technology transitions from the BUFFERING to EVENT mode.

Axon Interview Solution

- High-definition cameras and microphones for interview rooms
- Covert or overt camera installations
- Touch-screen user interface
- Motion-based activation
- Up to 7-minute pre- and post-event buffering period
- Full hardware and software integration
- Upload to Axon Evidence services
- Interview room files can be managed under the same case umbrella as files from Axon on-officer cameras and Axon Fleet cameras; i.e., Axon video of an arrest and



17800 N. 51ST STREET
SCOTTSDALE, ARIZONA 85254

AXON.COM

- interview room video are managed as part of the same case in Axon Evidence
- Dual integration of on-officer camera and interview room camera with Axon Evidence digital evidence solution

Axon Signal Technology

- Sends a broadcast of status that compatible devices recognize when certain status changes are detected
- Only compatible with TASER and Axon products

Axon Dock

- Automated docking station uploads to Axon Evidence services through Internet connection
- No computer necessary for secure upload to Axon Evidence
- Charges and uploads simultaneously
- The Axon Dock is tested and certified by TUV Rheinland to be in compliance with UL 60950-1: 2007 R10.14 and CAN/ CSA-C22.2 NO.60950-1-07+A1:2011+A2:2014 Information Technology Equipment safety standards.

Axon Evidence Data Management System

- Software as a Service (SaaS) delivery model that allows agencies to manage and share digital evidence without local storage infrastructure or software needed
- SaaS model reduces security and administration by local IT staff: no local installation required
- Automatic, timely security upgrades and enhancements deployed to application without the need for any local IT staff involvement
- Securely share digital evidence with other agencies or prosecutors without creating copies or requiring the data to leave your agency's domain of control
- Controlled access to evidence based on pre-defined roles and permissions and pre-defined individuals
- Password authentication includes customizable security parameters: customizable password complexity, IP-based access restrictions, and multi-factor authentication support
- Automated category-based evidence retention policies assists with efficient database management
- Ability to recover deleted evidence within seven days of deletion
- Stores and supports all major digital file types: .mpeg, .doc, .pdf, .jpeg, etc.
- Requires NO proprietary file formats
- Ability to upload files directly from the computer to Axon Evidence via an Internet browser
- Data Security: Robust Transport Layer Security (TLS) implementation for data in transit and 256-bit AES encryption for data in storage
- Security Testing: Independent security firms perform in-depth security and penetration testing
- Reliability: Fault- and disaster-tolerant infrastructure in at least 4 redundant data centers in both the East and West regions of the United States
- Chain-of-Custody: Audit logs automatically track all system and user activity. These logs cannot be edited or deleted, even by account administrators and IT staff
- Protection: With no on-site application, critical evidence stored in Axon Evidence is protected from local malware that may penetrate agency infrastructure



17600 N 83RD STREET
SCOTTSDALE, ARIZONA 85258

AXON.COM

- **Stability:** Axon Enterprise is a publicly traded company with stable finances and funding, reducing concerns of loss of application support or commercial viability
- Application and data protected by a CJIS and ISO 27001 compliant information security program
- Dedicated information security department that protects Axon Evidence and data with security monitoring, centralized event log analysis and correlation, advanced threat and intrusion protection, and incident response capabilities
- Redact videos easily within the system, create tags, markers and clips, search 7 fields in addition to 5 category-based fields, create cases for multiple evidence files

Axon Evidence for Prosecutors

- All the benefits of the standard Axon Evidence services
- Ability to share information during the discovery process
- Standard licenses available for free to prosecutors working with agencies already using Axon Evidence services
- Unlimited storage for data collected by Axon cameras and Axon Capture

Axon Capture Application

- Free app for iOS and Android mobile devices
- Allows users to capture videos, audio recordings, and photos and upload these files to their Axon Evidence account from the field
- Allows adding metadata to these files, such as: Category, Title, Case ID, and GPS data

Axon Commander Services

- On-premises data management platform
- Chain of custody reports with extensive audit trail
- Automated workflows, access control, storage, and retention
- Compatible with multiple file formats

Axon View Application

- Free app for iOS and Android mobile devices
- Allows user to view the camera feed from a paired Axon Body, Axon Body 2, Axon Flex, or Axon Flex 2 camera in real-time
- Allows for playback of videos stored on a paired Axon Body, Axon Body 2, Axon Flex, or Axon Flex 2 system
- Allows adding meta-data to videos, such as: Category, Title, Case ID, and GPS data

Axon Records

- Continuously improving automated report writing by leveraging AI and ML on officer recorded video, photo, and audio from BWC, In-Car, Mobile App (Axon Capture), or other digital media
- Collaborative report writing through instantly synced workspaces allowing officers to delegate information gathering on scene
- Instant access to records allowing detectives to begin their investigation and records clerks to update information exchanges on things like missing people or stolen property as soon as possible
- Complete leveraging of Axon Evidence sharing to allow fast, efficient, digital, and secure sharing of records and cases to DAs and Prosecutors



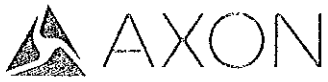
17600 N 85TH STREET
SCOTTSDALE, ARIZONA 85255

AXON.COM

- Robust API and SDK allows data to be easily ingested and pushed out to other systems—preventing data silos
- Deep integration with Axon Evidence putting video at the heart of the record and automating the process of tagging and categorizing digital evidence stored in Axon Evidence
- Automatic association of digital evidence to the record and incident through Axon Evidence integration
- In context search of master indexes (people, vehicles, locations, charges)—promoting efficient report writing through prefilling of existing data which promotes clean and deduped data in the system
- Quick views for users to track calls for service and reports in draft, ready for review, kicked back for further information, or submitted to Records for archiving.
- Federal and State IBRS fields are captured and validated—ensuring the officer knows what fields to fill and what information needs to be captured
- Intuitive validation ensures officers know what information to submit without being burdened by understanding the mapping of NIBRS to state or local crime codes
- Ability to create custom forms and add custom fields to incident reports—allowing your agency to gather the information you find valuable
- Software as a Service (SaaS) delivery model that allows agencies to write, manage, and share digital incident reports without local storage infrastructure or software needed
- SaaS model reduces security and administration by local IT staff: no local installation required
- Automatic, timely security upgrades and enhancements deployed to application without the need for any local IT staff involvement
- Securely share records and cases with other agencies or prosecutors without creating copies or requiring the data to leave your agency's domain of control
- Controlled access based on pre-defined users, groups, and permissions
- Password authentication includes customizable security parameters: customizable password complexity, IP-based access restrictions, and multi-factor authentication support
- Security Testing: Independent security firms perform in-depth security and penetration testing
- Reliability: Fault- and disaster-tolerant infrastructure in at least 4 redundant data centers in both the East and West regions of the United States
- Chain-of-Custody: Audit logs automatically track all system and user activity. These logs cannot be edited or deleted, even by account administrators and IT staff

Axon Standards

- Internal affairs and professional standards reporting
- Customizable information display, including custom forms
- Customizable workflows and user groups
- Automated alerts
- Compatible with digital documents, photos, and videos
- Connection with Transcription (beta)
- Shared Index with evidence.com and Records
- Data Warehouse allowing custom summary reports and integration into 3rd party analytic tools.



1750 N 145TH STREET
SCOTTSDALE, ARIZONA 85251

AXON.COM

- Workflow analytics to provide SLA on throughputs
- Integration with the TASER 7 CEW for automatically pulling firing logs (alpha)
- Available as an option for Axon Records
- Automatically bundled with Officer Safety Plan 7+

Axon Professional Services

- Dedicated implementation team
- Project management and deployment best practices aid
- Training and train-the-trainer sessions
- Integration services with other systems

Axon Auto-Transcribe

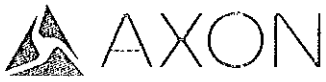
- Transcribes audio to text, producing a time-synchronized transcript of incidents
- Allows searches for keywords (e.g., names, and addresses)
- Embedded time stamps when critical details were said and events occurred
- Produce transcripts in substantially less time than with manual methods
- Pull direct quotes and witness statements directly into reports

Axon Support Engineer:

- Dedicated Axon Regional/Resident Support Engineer Services
- Quarterly onsite visits
- Solution and Process Guidance custom to your agency
- White-Glove RMA and TAP (if applicable) Service for devices
- Monthly Product Usage Analysis
- Resident Support Engineer also includes onsite product maintenance, troubleshooting, and beta testing assistance

Axon Respond for Dispatch (CAD)

- Integration with Axon Respond for Devices (Axon Body 3) for location and/or live streaming in CAD.
- Integration with TASER 7 CEW devices for enhanced situational awareness.
- Native ESRI based mapping with ability to connect to ESRI online communities and your agency's local ArcGIS data.
- SaaS model reduces security and administration by local IT staff: no local installation
- Robust API and SDK allows data to be easily ingested and pushed out to other systems -- preventing data silos.
- Complete leveraging of Axon Evidence (evidence.com) sharing to allow fast, efficient, digital and secure sharing of data to DAs and Prosecutors.
- Future versions/enhancements included with minimal down time and no need to purchase an upgrade to the latest version.
- Native integration with Axon Records.
- Reliability: Fault – and disaster – tolerant infrastructure in at least four redundant data centers in both the East and West regions of the United States.
- Security Testing: Independent security firms perform in depth security and penetration testing.
- Automatic, timely security upgrades and enhancements deployed to application without the need for any local IT staff involvement.



17600 N 65TH STREET
SCOTTSDALE, ARIZONA 85258

AXON.COM

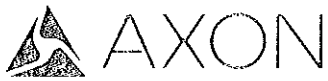
Axon Customer Support

- Online and email-based support available 24/7
- Human phone-based support available Monday–Friday 7:00 AM–5:00 PM MST; support is located in Scottsdale, AZ, USA
- Library of webinars available 24/7
- Remote-location troubleshooting



Axon Brand Model Numbers

1. Axon Body 3 Camera Model: 73202
2. Axon Flex 2 Cameras:
 - Axon Flex 2 Camera (online) Model: 11528
 - Axon Flex 2 Camera (offline) Model: 11529
3. Axon Flex 2 Controller Model: 11532
4. Axon Flex 2 USB Sync Cable Model: 11534
5. Axon Flex 2 Coiled Cable, Straight to Right Angle, 48" (1.2 m)
6. Axon Flex 2 Camera Mounts:
 - Oakley Flak Jacket Kit Model: 11544
 - Collar Mount Model: 11545
 - Oakley Clip Model: 11554
 - Epaulette Mount Model: 11546
 - Ballcap Mount Model: 11547
 - Ballistic Vest Mount Model: 11555
7. Universal Helmet Mount Model: 11548
8. Axon Air System with Axon Evidence (Evidence.com) 5-Year License Model: 12332
9. Axon Body 2 Camera Model: 74001
10. Axon Body 2 Camera Mounts:
 - Axon RapidLock Velcro Mount Model: 74054
11. Axon Flex 2 Controller and Axon Body 2 Camera Mounts:
 - Z-Bracket, Men's, Axon RapidLock Model: 74018
 - Z-Bracket, Women's Axon RapidLock Model: 74019
 - Magnet, Flexible, Axon RapidLock Model: 74020
 - Magnet, Outerwear, Axon RapidLock Model: 74021
 - Small Pocket, 4" (10.1 cm), Axon RapidLock Model: 74022
 - Large Pocket, 6" (15.2 cm), Axon RapidLock Model: 74023



17800 N. 85TH STREET
SCOTTSDALE, ARIZONA 85255

AXON.COM

- MOLLE Mount, Single, Axon RapidLock Model: 11507
- MOLLE Mount, Double, Axon RapidLock Model: 11508
- Belt Clip Mount, Axon RapidLock Model: 11509

12. Axon Fleet Camera

- Axon Fleet 2 Front Camera: 71079
- Axon Fleet 2 Front Camera Mount: 71080
- Axon Fleet 2 Rear Camera: 71081
- Axon Fleet 2 Rear Camera Controller: 71082
- Axon Fleet 2 Rear Camera Controller Mount: 71083
- Axon Fleet Battery System: 74024
- Axon Fleet Bluetooth Dongle: 74027

13. Axon Signal Unit Model: 70112

14. Axon Dock Models:

- Axon Dock – Individual Bay and Core for Axon Flex 2
- Axon Dock – 6-Bay and Core for Axon Flex 2
- Individual Bay for Axon Flex 2 Model: 11538
- Core (compatible with all Individual Bays and 6-Bays) Model: 70027
- Wall Mount Bracket Assembly for Axon Dock: 70033
- Axon Dock – Individual Bay and Core for Axon Body 2 and Axon Fleet Model 74009
- Axon Dock – 6-Bay and Core for Axon Body 2 and Axon Fleet Model 74008
- Individual Bay for Axon Body 2 and Axon Fleet Model: 74011

15. Axon Signal Performance Power Magazine (SPPM) Model: 70116

Axon Product Packages

1. Officer Safety Plan: includes a CEW, Axon camera and Dock upgrade, and Axon Evidence license and storage. See your Sales Representative for further details and Model numbers.
2. TASER Assurance Plan (TAP): Hardware extended coverage, Spare Products (for Axon cameras), and Upgrade Models, for the Axon Flex camera and controller, Axon Body camera, and Axon Dock. (The TAP is available only through Axon Enterprise, Inc.)

SOLE AUTHORIZED DISTRIBUTOR FOR AXON BRAND PRODUCTS	SOLE AUTHORIZED REPAIR FACILITY FOR AXON BRAND PRODUCTS
<p>Axon Enterprise, Inc. 17800 N. 85th Street, Scottsdale, AZ 85255 Phone: 480-905-2000 or 800-978-2737 Fax: 480-991-0791</p>	<p>Axon Enterprise, Inc. 17800 N. 85th Street, Scottsdale, AZ 85255 Phone: 480-905-2000 or 800-978-2737 Fax: 480-991-0791</p>

Please contact your local Axon sales representative or call us at 1-800-978-2737 with any questions.

Sincerely,



1740 W 85TH STREET
SCOTTSDALE, ARIZONA 85254

AXON.COM

A handwritten signature in black ink, appearing to read 'Josh Isner'.

Josh Isner
Chief Revenue Officer
Axon Enterprise, Inc.

Android is a trademark of Google, Inc., Bluetooth is a trademark of the Bluetooth SIG, Flak Jacket is a trademark of Oakley, Inc, iPod Touch is a trademark of Apple Inc, iOS is a trademark of Cisco, LTE is a trademark of the European Telecommunications Standards Institute, Shoei is a trademark of Shoei Co., Ltd., VELCRO is a trademark of Velcro Industries, B.V., and Wi-Fi is a trademark of the Wi-Fi Alliance.

▲, ▲ AXON, Axon, Axon Evidence, Axon Flex, Axon InterviewFleet, X2, X26, TASER 7, and TASER are trademarks of Axon Enterprise, Inc., some of which are registered in the US and other countries. For more information, visit www.axon.com/legal. All rights reserved. © 2020 Axon Enterprise, Inc.

Janice Freimark

From: Valerie Ojeda
Sent: Wednesday, March 24, 2021 7:18 AM
To: Janice Freimark
Subject: FW: Interview rooms follow up from CIP discussion

Janice,

FYI:

Valerie Ojeda– Purchasing Specialist
10000 N. El Mirage Rd., El Mirage, AZ 85335
P: 623-876-2953 | E: vojeda@elmirageaz.gov



*City of El Mirage offices are open by appointment only until further notice.
Please visit www.ELMirageAZ.gov for more information.*

From: Robert Nilles <rnilles@elmirageaz.gov>
Sent: Wednesday, March 17, 2021 6:12 PM
To: Valerie Ojeda <vojeda@elmirageaz.gov>
Subject: FW: Interview rooms follow up from CIP discussion

Valerie,

Can you work with PD and Public Works to get a PO issued?

Thanks

Robert Nilles
City of El Mirage
Deputy City Manager\Finance Director
10000 N. El Mirage Road, El Mirage, AZ 85335
P: 623-876-2955 | F: 623-972-8110 | E: rnilles@elmirageaz.gov
Website: www.elmirageaz.gov



From: Paul N. Marzocca <pmarzocca@elmirageaz.gov>
Sent: Wednesday, March 17, 2021 5:49 PM

To: Crystal Dyches <cdyches@elmirageaz.gov>
Cc: Robert Nilles <rnilles@elmirageaz.gov>
Subject: RE: Interview rooms follow up from CIP discussion

Excellent thank you

Paul Marzocca – Police Chief
El Mirage Police Department
12401 W. Cinnabar Avenue, El Mirage, AZ 85335
P: 623-500-3009 | F: 623-500-3001 | E: pmarzocca@elmirageaz.gov



From: Crystal Dyches <cdyches@elmirageaz.gov>
Sent: Wednesday, March 17, 2021 5:46 PM
To: Paul N. Marzocca <pmarzocca@elmirageaz.gov>
Cc: Robert Nilles <rnilles@elmirageaz.gov>
Subject: RE: Interview rooms follow up from CIP discussion

We can move forward and then have Council approve.

J. Crystal Dyches
City Manager
10000 N. El Mirage Road, El Mirage, AZ 85335
P: 623-876-2940 | C: 623-377-1743 | E: cdyches@elmirageaz.gov



NOTICE To ensure compliance with the Open Meeting Law, recipients of this message should not forward it to other members of the public body. Members of the public body may reply to this message, but they should not send a copy of the reply to other members.

From: Paul N. Marzocca <pmarzocca@elmirageaz.gov>
Sent: Wednesday, March 17, 2021 5:44 PM
To: Robert Nilles <rnilles@elmirageaz.gov>
Cc: Crystal Dyches <cdyches@elmirageaz.gov>
Subject: Interview rooms follow up from CIP discussion

Michael reached out to Axon to see if they could install the camera's in the interviews prior to June 30th. Axon stated if they could get a signed quote back to them and processed no later than the first week of April they should be able to accommodate us. During the council discussion they asked us to move on this so I wasn't sure if this could be done since it's under 30,000 with City Manager approval or if we would have to go back to council for approval which would take a few weeks to get on the agenda and probably would have to wait until after July. This is with your approval of course.

Paul Marzocca – Police Chief
El Mirage Police Department
12401 W. Cinnabar Avenue, El Mirage, AZ 85335

