



BK Design Inc.

March 19, 2024

City of El Mirage
Development Services
10000 N. El Mirage Rd.
El Mirage, AZ 85335

Attention:

Development Services

Subject: Verizon Wireless – Project Narrative

Project Name: PHO BGentry-Park_SC

Project Address:

14010 N. El Mirage Rd.
El Mirage, AZ 85335

Project Description:

Verizon Wireless is proposing a modification to an existing telecommunications site on an existing light pole on El Mirage city property in the City of El Mirage. The project consists of the removal of (2) existing panel antennas and an antenna canister and the installation of (3) new 5G antennas and (1) new 4G canister antenna on an existing light pole. There are no changes to existing ground equipment associated with this project.

If you have any questions or require anything further, please don't hesitate to reach out. My contact info is as follows:

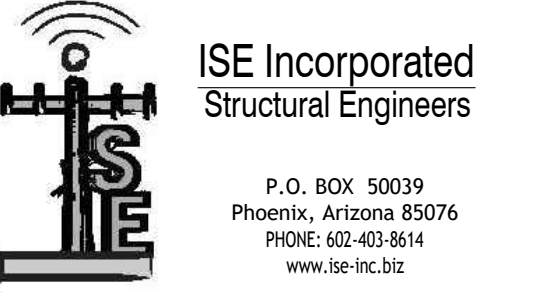
cmartin@bkdesignaz.com
480-266-5988

Thank you so much,

Charlie Martin
BK Design Inc.

844 N. 4th Ave.
Phoenix, AZ 85003
Email: cmartin@bkdesignaz.com

Phone: (480) 266-5988



THESE DRAWINGS ARE PROPRIETARY, COPYRIGHTED AND THE PROPERTY OF VERIZON WIRELESS AND PRODUCED SOLELY FOR THE USE OF OUR PROJECT DEVELOPMENT. ANY REPRODUCTION, DISTRIBUTION OR USE OF THE INFORMATION CONTAINED WITHIN SAID DRAWINGS IS PROHIBITED WITHOUT WRITTEN CONSENT OF VERIZON WIRELESS.

PROJECT NUMBER	DRWN BY	CHKD BY
24004	AD	BK

REVISIONS		
△	03.15.24	ISSUE FOR SUBMITTAL

SITE NAME

**PHO
BGENTRY-PARK_SC**

SITE ADDRESS

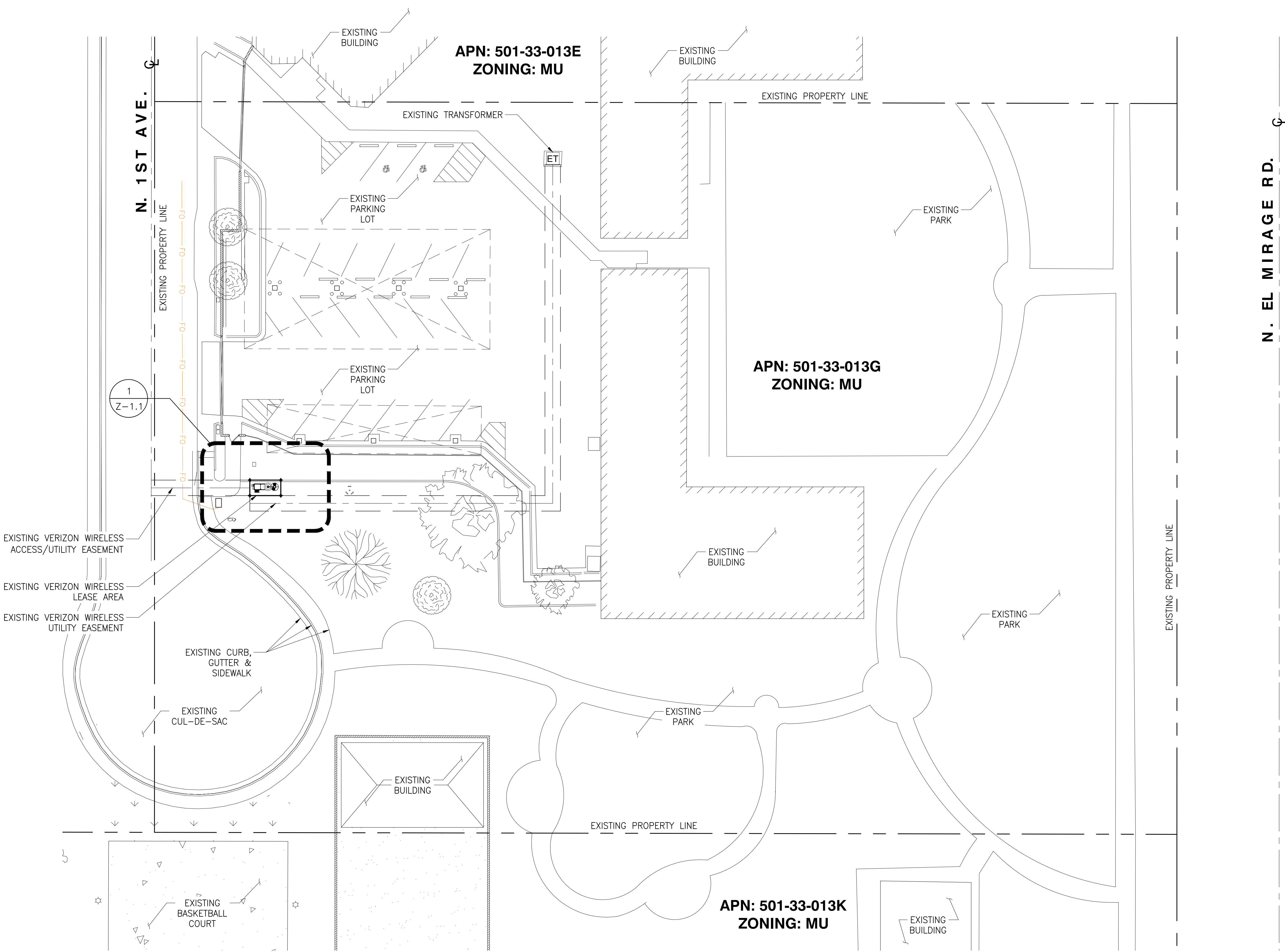
14010 N. EL MIRAGE RD.
EL MIRAGE, AZ 85335

SHEET TITLE

**OVERALL SITE
PLAN**

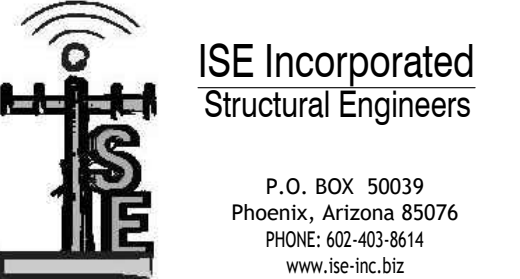
SHEET NUMBER

Z-1



NORTH

1 OVERALL SITE PLAN
Z-1
1/16" = 1'-0"



THESE DRAWINGS ARE PROPRIETARY, COPYRIGHTED AND THE PROPERTY OF VERIZON WIRELESS AND PRODUCED SOLELY FOR THE USE OF OUR PROJECT DEVELOPMENT. ANY REPRODUCTION, DISTRIBUTION OR USE OF THE INFORMATION CONTAINED WITHIN SAID DRAWINGS IS PROHIBITED WITHOUT WRITTEN CONSENT OF VERIZON WIRELESS.

PROJECT NUMBER	DRWN BY	CHKD BY
24004	AD	BK

REVISIONS		
△	03.15.24	ISSUE FOR SUBMITTAL

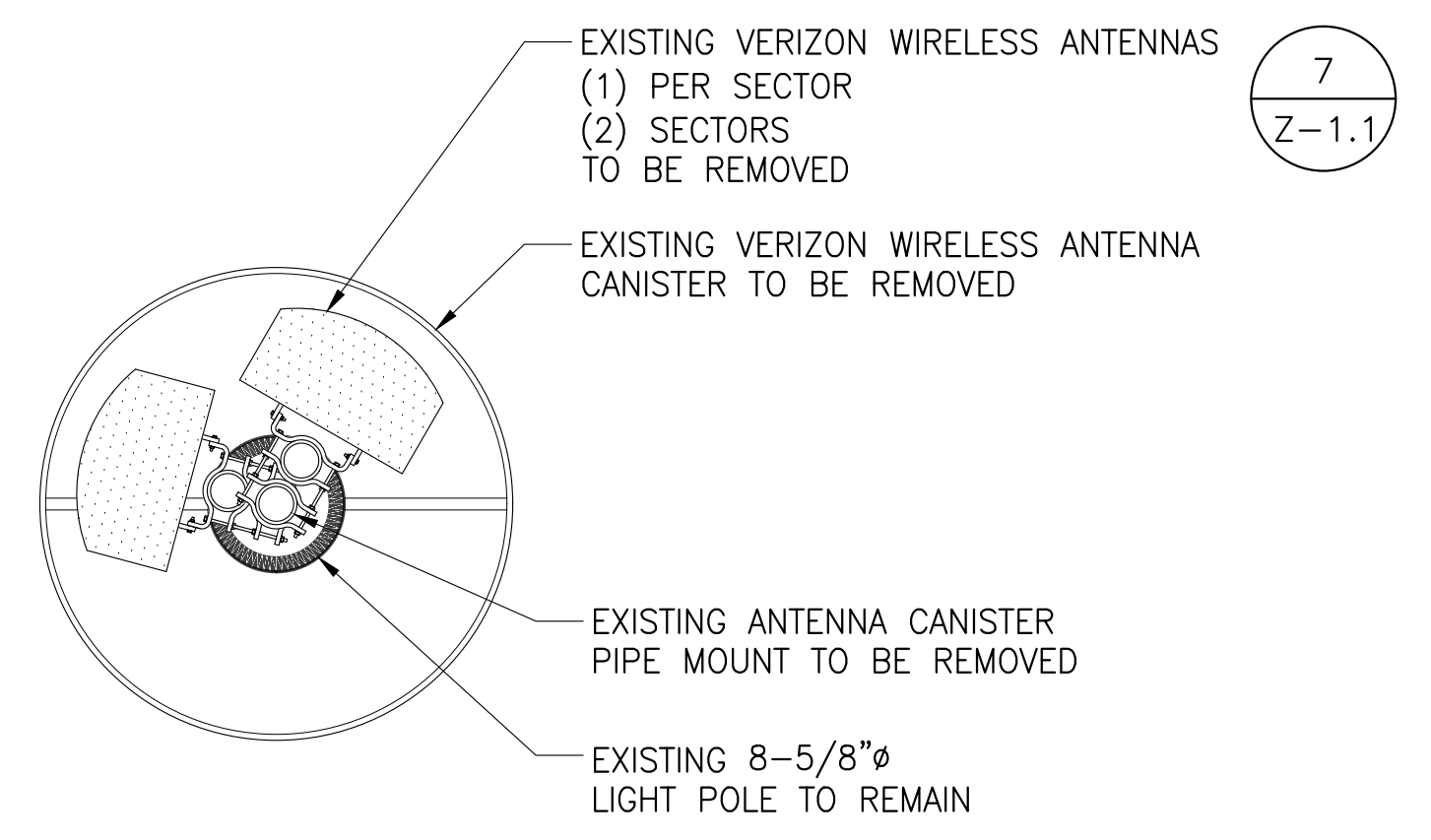
NOTE:
CONTRACTOR TO IMPLEMENT ALL ZONING STIPULATIONS IN THE ZONING APPROVAL LETTER.

NOTE:
STRUCTURAL ANALYSIS ON EXISTING COMMUNICATION POLE PERFORMED BY OTHERS - SEE SUPPLEMENTAL REPORT FOR FURTHER INFORMATION.

NOTE:
ALL PROPOSED EQUIPMENT TO BE COLORED TO MATCH THE EXISTING POLE COLOR - CONTRACTOR TO FIELD VERIFY COLOR.

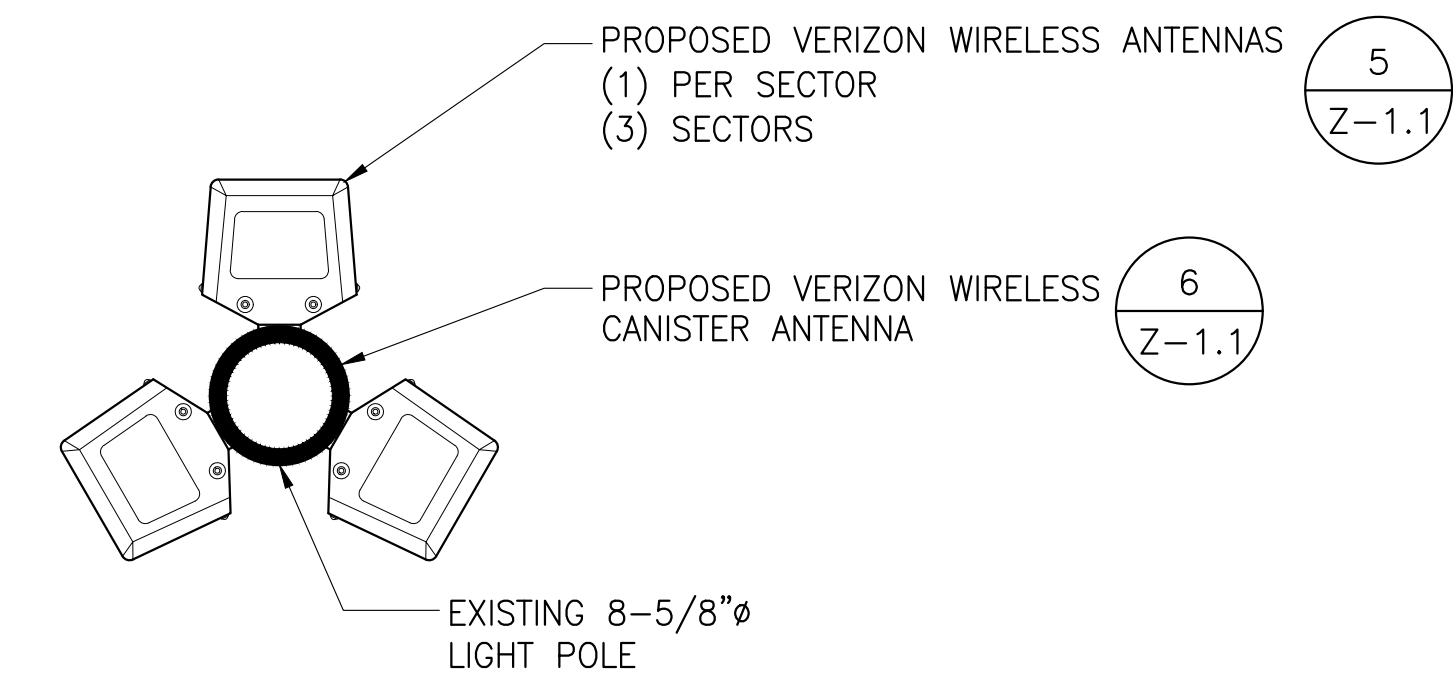
NOTE:
CONTRACTOR TO FIELD VERIFY THE LENGTH OF CABLE NEEDED PRIOR TO INSTALLATION.

NOTE:
EXISTING POLE ATTACHMENTS OMITTED FOR CLARITY.

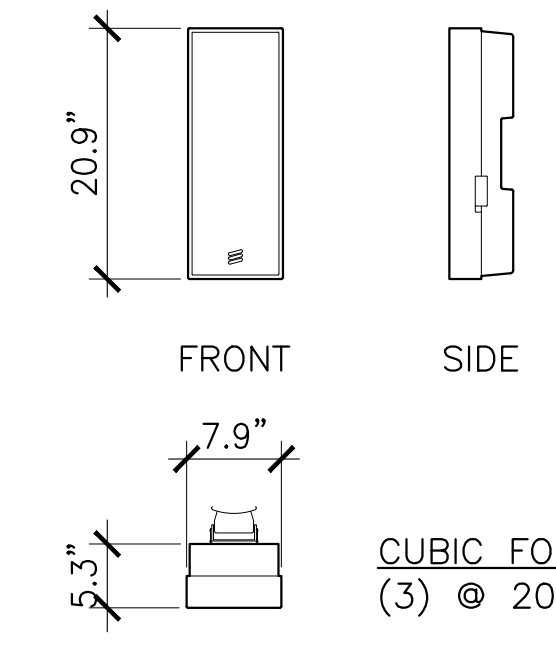


4 EXISTING ANTENNA PLAN
Z-1.1
1" = 1'-0"

NOTE:
EXISTING POLE ATTACHMENTS OMITTED FOR CLARITY.

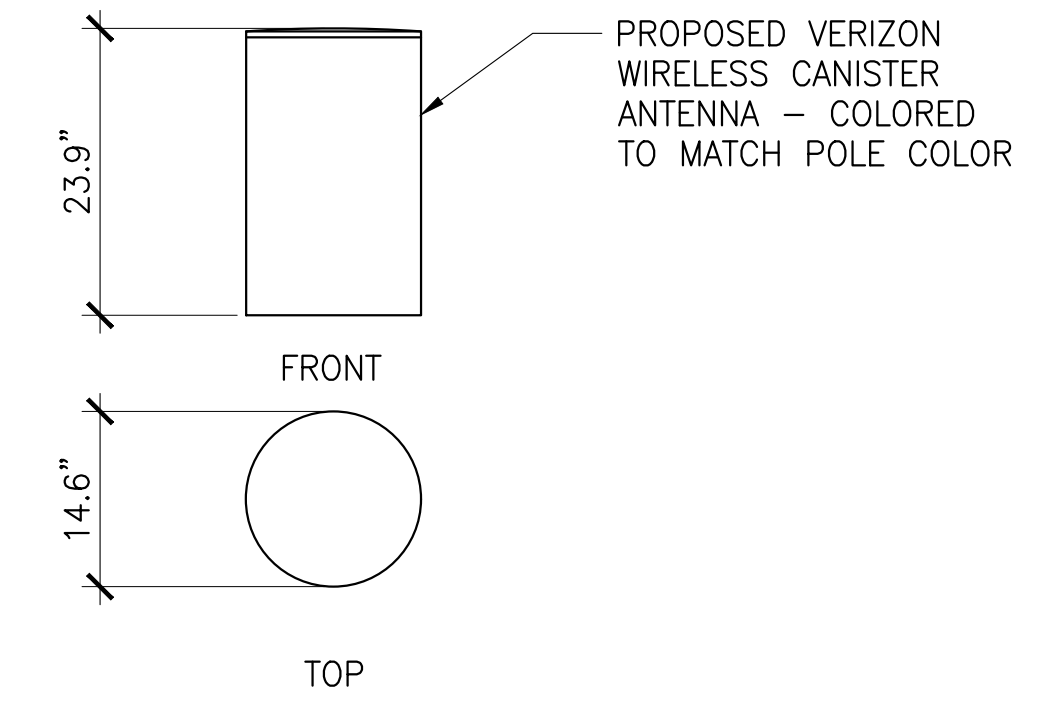


3 PROPOSED ANTENNA PLAN
Z-1.1
1" = 1'-0"

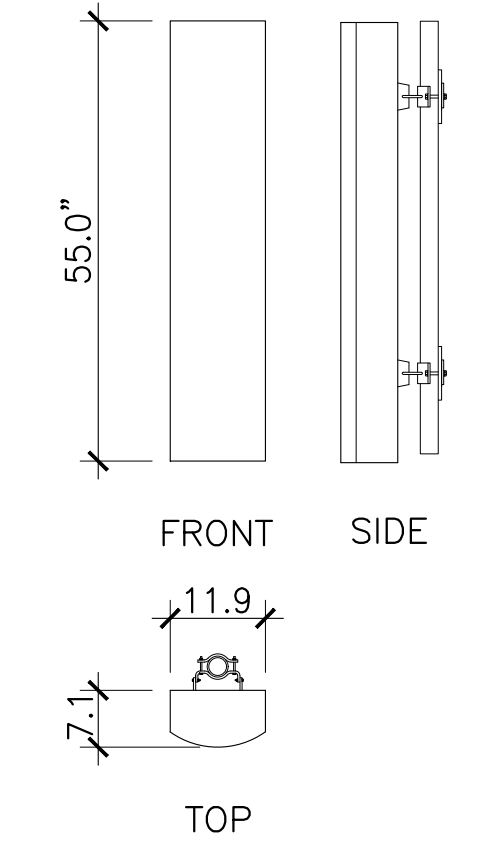


5 PROPOSED ANTENNA DETAIL
Z-1.1
3/4" = 1'-0"

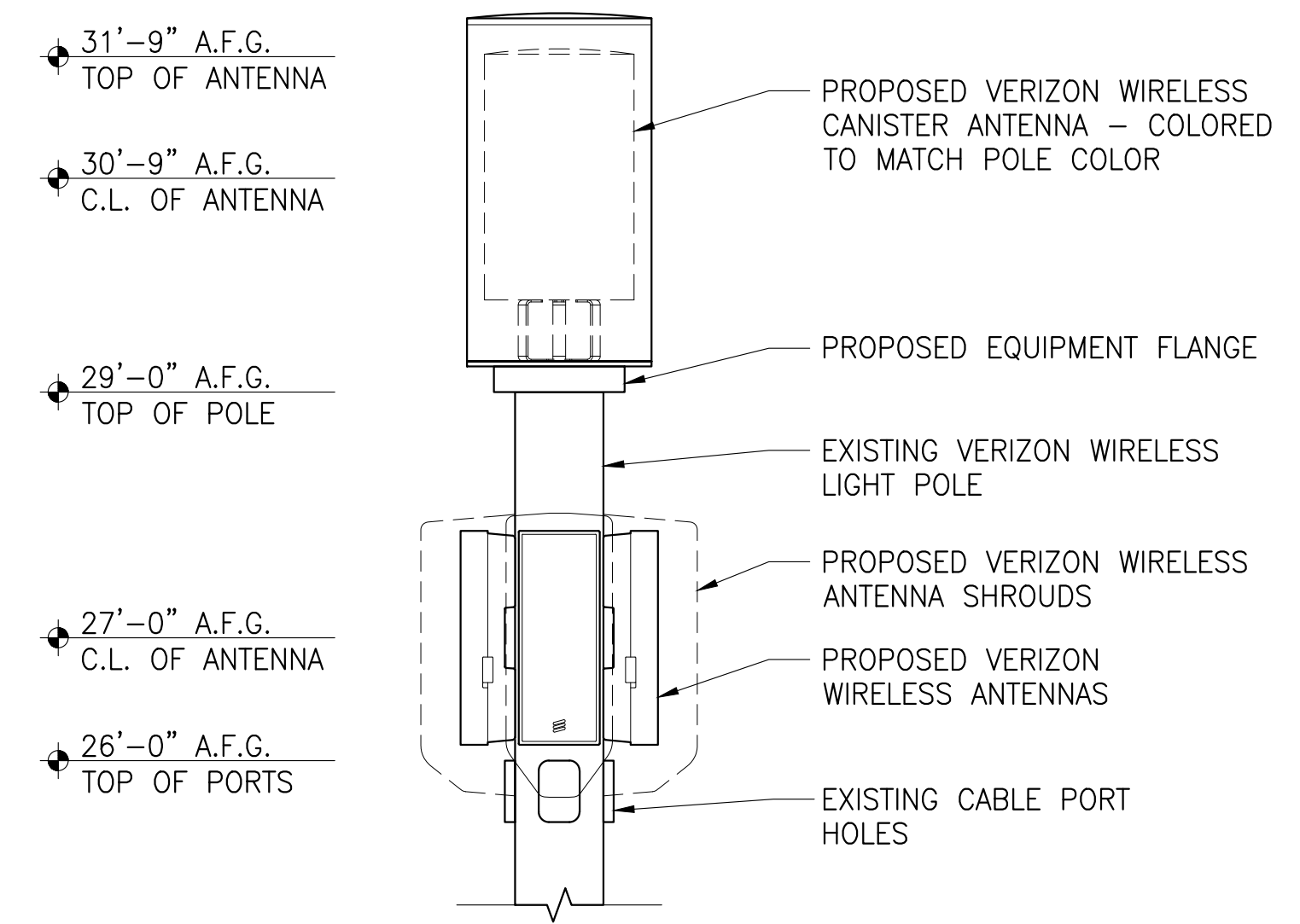
CUBIC FOOTAGE:
(3) @ 20.9"x7.9"x5.32" / 1728 = 1.52 CU. FT.



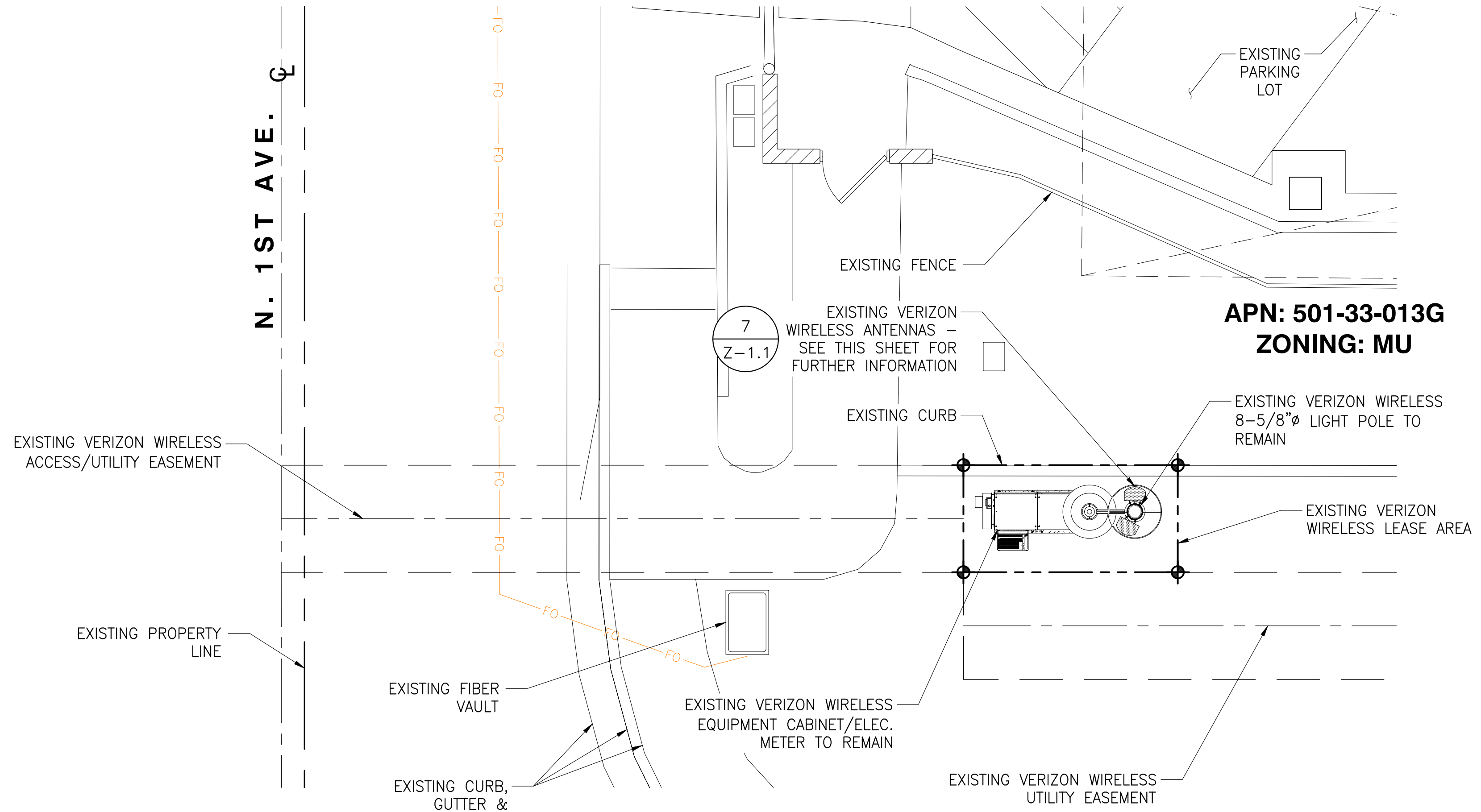
6 PROPOSED ANTENNA DETAIL
Z-1.1
3/4" = 1'-0"



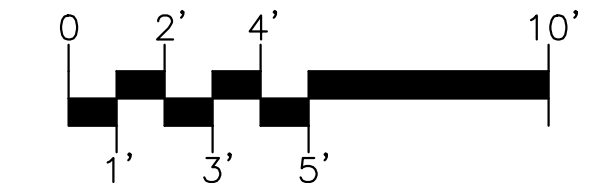
7 EXISTING ANTENNA DETAIL
Z-1.1
1/2" = 1'-0"



2 ANTENNA MOUNT DETAIL
Z-1.1
3/4" = 1'-0"



1 ENLARGED SITE PLAN
Z-1.1
1/4" = 1'-0"



SITE NAME

**PHO
BGENTRY-PARK_SC**

SITE ADDRESS

14010 N. EL MIRAGE RD.
EL MIRAGE, AZ 85335

SHEET TITLE

**ENLARGED SITE PLAN
AND ANTENNA
DETAILS**

SHEET NUMBER

Z-1.1

NOTE:
CONTRACTOR TO IMPLEMENT ALL ZONING STIPULATIONS IN THE ZONING APPROVAL LETTER.

NOTE:
STRUCTURAL ANALYSIS ON EXISTING COMMUNICATION POLE PERFORMED BY OTHERS - SEE SUPPLEMENTAL REPORT FOR FURTHER INFORMATION.

NOTE:
ALL PROPOSED EQUIPMENT TO BE COLORED TO MATCH THE EXISTING POLE COLOR - CONTRACTOR TO FIELD VERIFY COLOR.

NOTE:
CONTRACTOR TO FIELD VERIFY THE LENGTH OF CABLE NEEDED PRIOR TO INSTALLATION.



6955 W. MORELOS PL.
CHANDLER, AZ 85226



844 N. 4TH AVE.
PHOENIX, AZ 85003
PHONE: (480) 204-1412

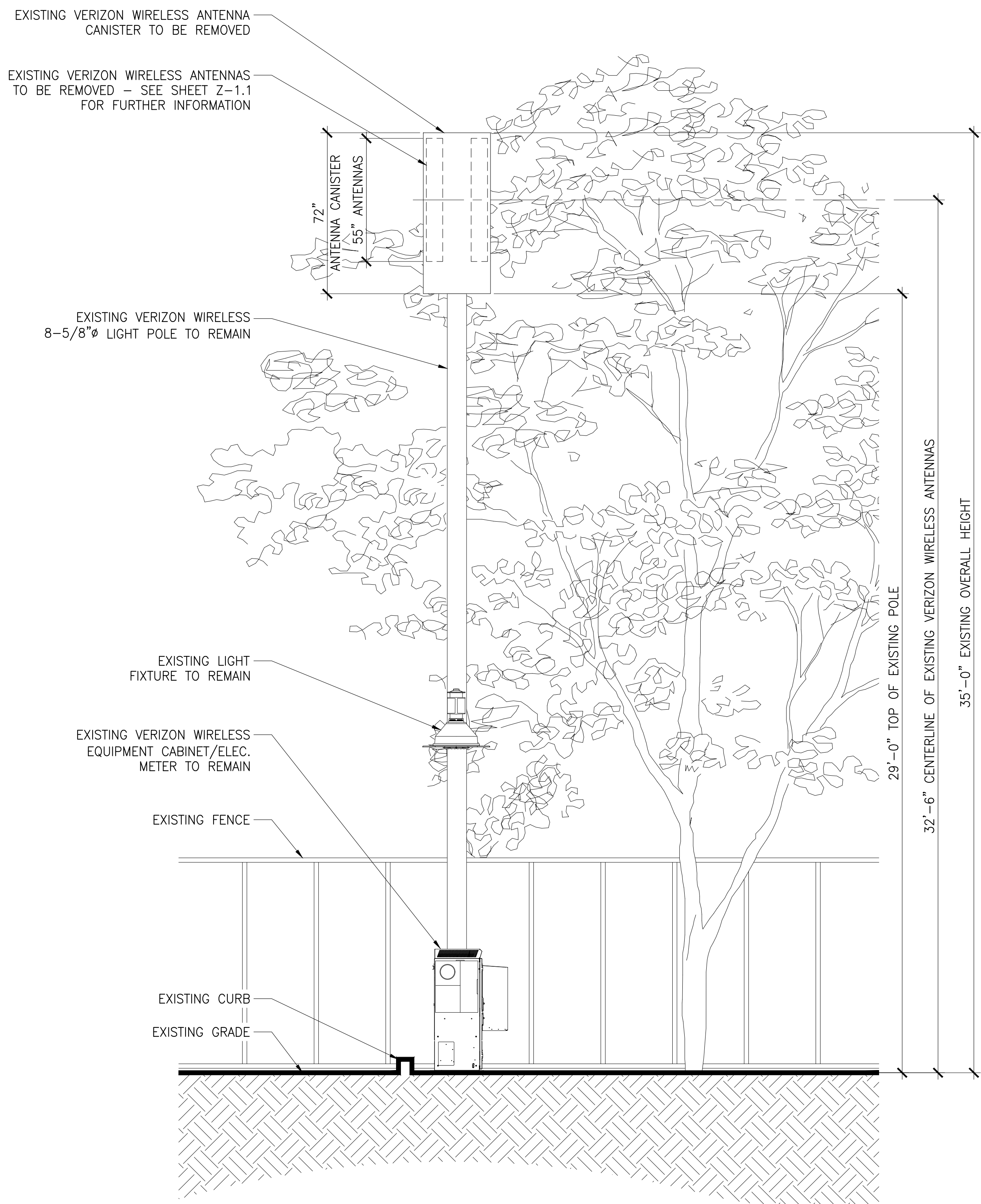


P.O. BOX 50039
Phoenix, Arizona 85076
PHONE: 602-403-8614
www.ise-inc.biz

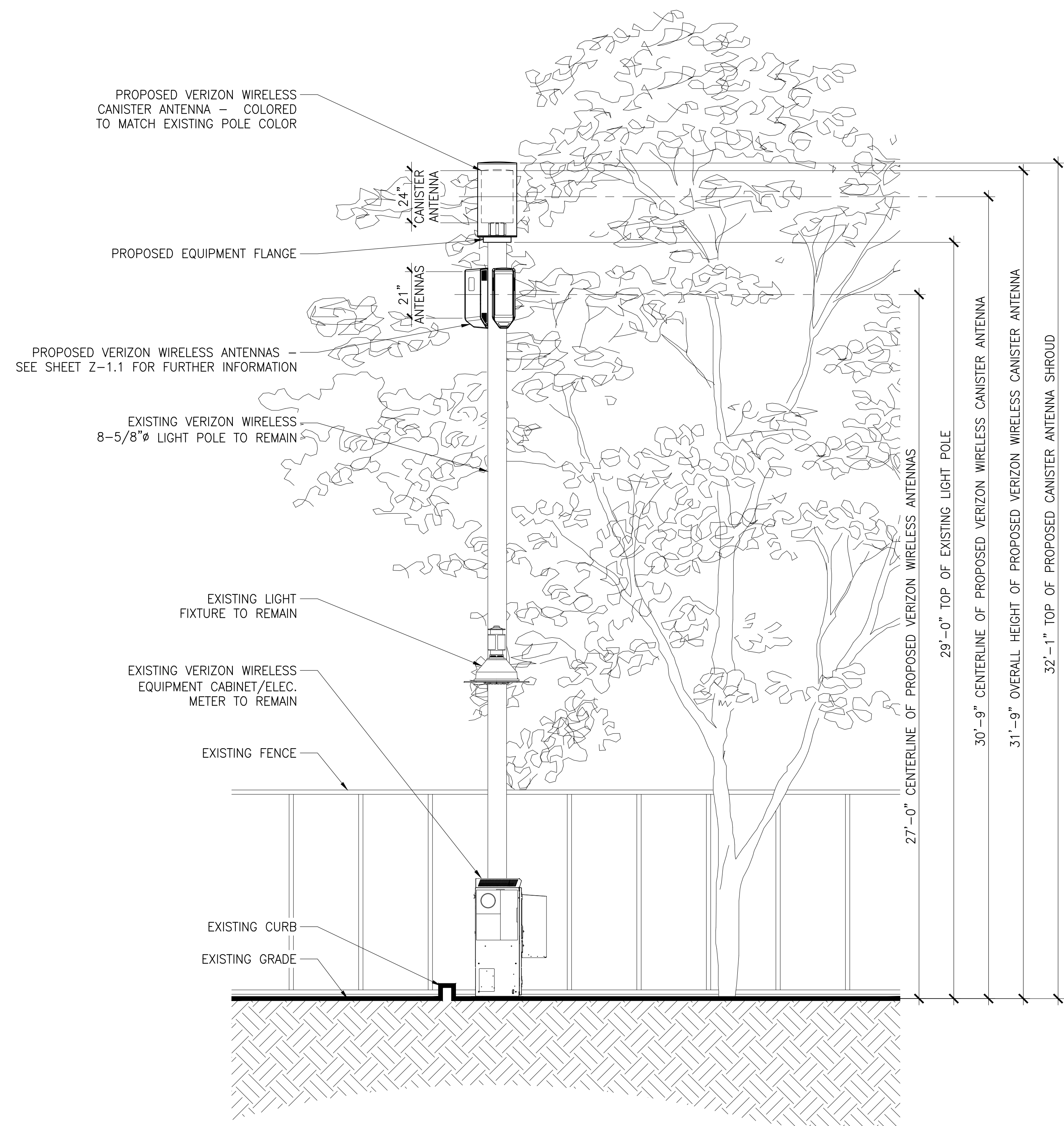
THESE DRAWINGS ARE PROPRIETARY, COPYRIGHTED AND THE PROPERTY OF VERIZON WIRELESS AND PRODUCED SOLELY FOR THE USE OF OUR PROJECT DEVELOPMENT. ANY REPRODUCTION, DISTRIBUTION OR USE OF THE INFORMATION CONTAINED WITHIN SAID DRAWINGS IS PROHIBITED WITHOUT WRITTEN CONSENT OF VERIZON WIRELESS.

PROJECT NUMBER	DRWN BY	CHKD BY
24004	AD	BK

REVISIONS		
△	03.15.24	ISSUE FOR SUBMITTAL



2 EXISTING WEST ELEVATION
Z-2 3/8" = 1'-0" 0 2' 4' 1' 3' 5'



1 PROPOSED WEST ELEVATION
Z-2 3/8" = 1'-0" 0 2' 4' 1' 3' 5'

SITE NAME

PHO
BGENTRY-PARK_SC

SITE ADDRESS

14010 N. EL MIRAGE RD.
EL MIRAGE, AZ 85335

SHEET TITLE

PROJECT
ELEVATIONS

SHEET NUMBER

Z-2

NOTE:
CONTRACTOR TO IMPLEMENT ALL ZONING STIPULATIONS IN THE ZONING APPROVAL LETTER.

NOTE:
STRUCTURAL ANALYSIS ON EXISTING COMMUNICATION POLE PERFORMED BY OTHERS - SEE SUPPLEMENTAL REPORT FOR FURTHER INFORMATION.

NOTE:
ALL PROPOSED EQUIPMENT TO BE COLORED TO MATCH THE EXISTING POLE COLOR - CONTRACTOR TO FIELD VERIFY COLOR.

NOTE:
CONTRACTOR TO FIELD VERIFY THE LENGTH OF CABLE NEEDED PRIOR TO INSTALLATION.



6955 W. MORELOS PL.
CHANDLER, AZ 85226



844 N. 4TH AVE.
PHOENIX, AZ 85003
PHONE: (480) 204-1412

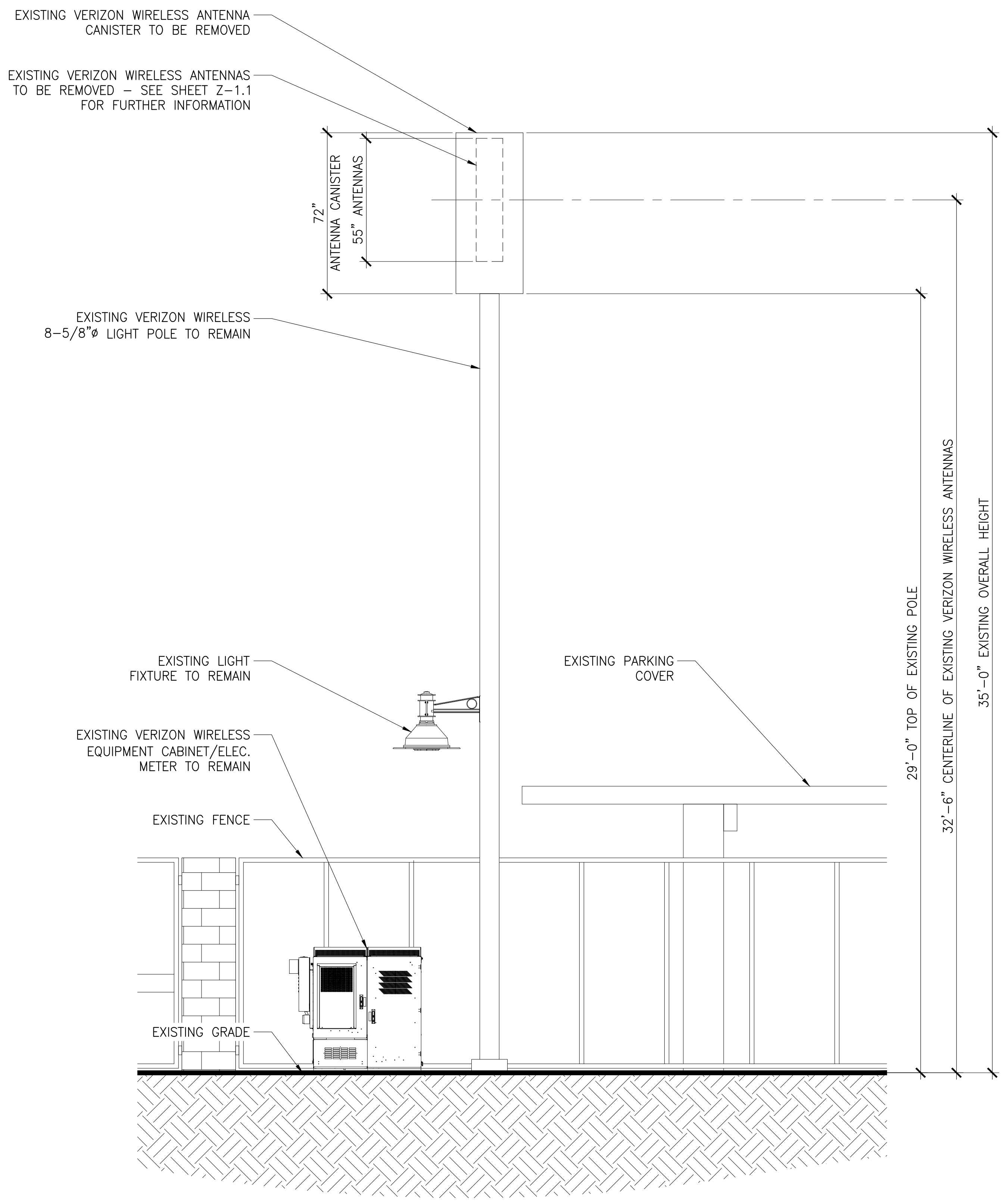


P.O. BOX 50039
Phoenix, Arizona 85076
PHONE: 602-403-8614
www.ise-inc.biz

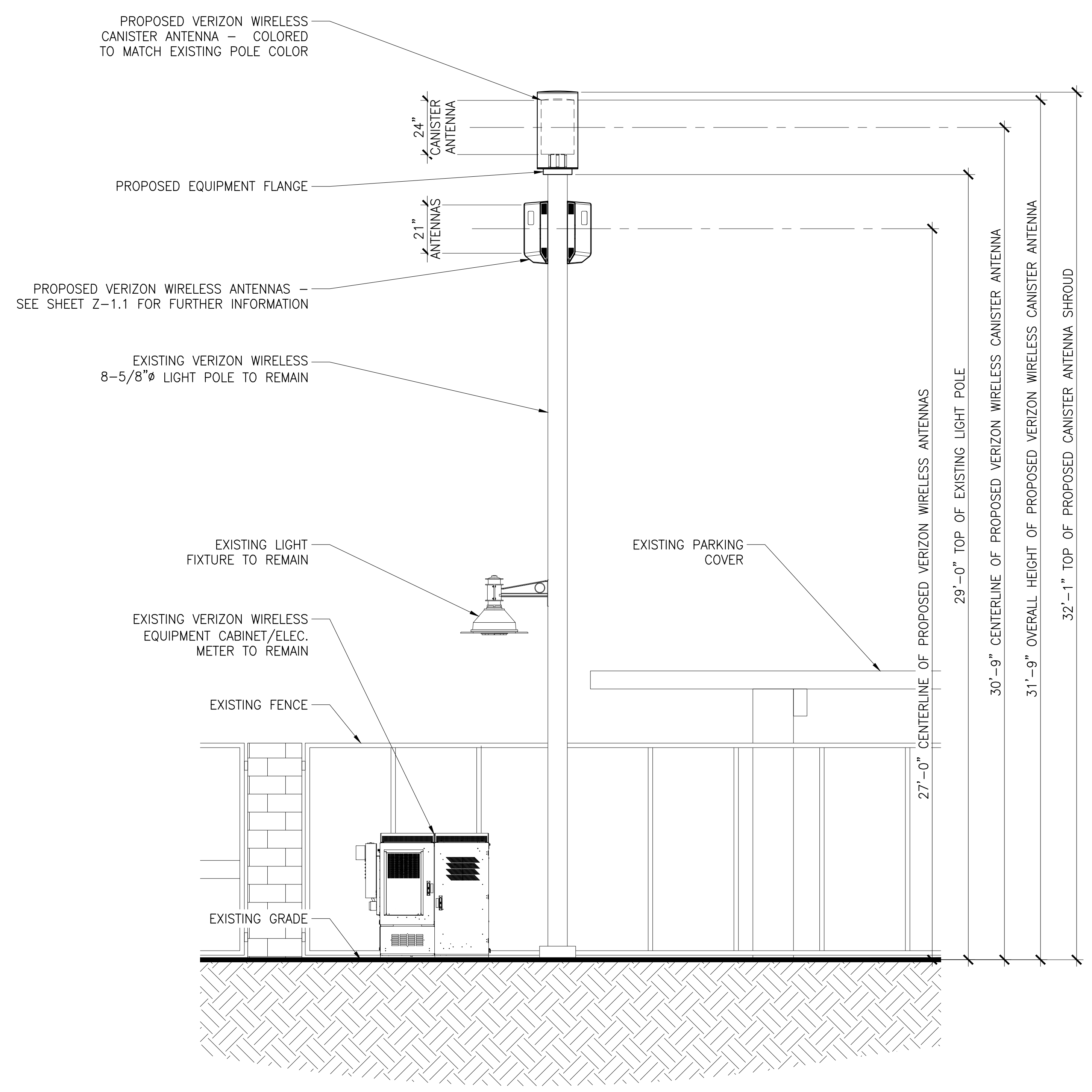
THESE DRAWINGS ARE PROPRIETARY, COPYRIGHTED AND THE PROPERTY OF VERIZON WIRELESS AND PRODUCED SOLELY FOR THE USE OF OUR PROJECT DEVELOPMENT. ANY REPRODUCTION, DISTRIBUTION OR USE OF THE INFORMATION CONTAINED WITHIN SAID DRAWINGS IS PROHIBITED WITHOUT WRITTEN CONSENT OF VERIZON WIRELESS.

PROJECT NUMBER	DRWN BY	CHKD BY
24004	AD	BK

REVISIONS		
△	03.15.24	ISSUE FOR SUBMITTAL



2 EXISTING SOUTH ELEVATION
Z-2.1
3/8" = 1'-0"
0 2' 4'
1' 3' 5'



1 PROPOSED SOUTH ELEVATION
Z-2.1
3/8" = 1'-0"
0 2' 4'
1' 3' 5'

SITE NAME

PHO
BGENTRY-PARK_SC

SITE ADDRESS

14010 N. EL MIRAGE RD.
EL MIRAGE, AZ 85335

SHEET TITLE

PROJECT
ELEVATIONS

SHEET NUMBER

Z-2.1

March 19, 2024

To Whom it May Concern:

This project submittal is for an antenna modification to an existing Small Cell Facility on City of El Mirage Property. Being that this site is currently on-air and operating we feel that the item listed below is not required for this project, however we cannot successfully submit our permit package through the on-line portal without providing a document.

- Preliminary Landscape Plans
 - There are no changes on the ground and the existing landscaping will remain.

Thank you so much and please let me know if there is anything else we can provide at this time.

A handwritten signature in black ink, appearing to read 'BKorte', with a long horizontal flourish extending to the right.

Bryan Korte

BK Design Inc.