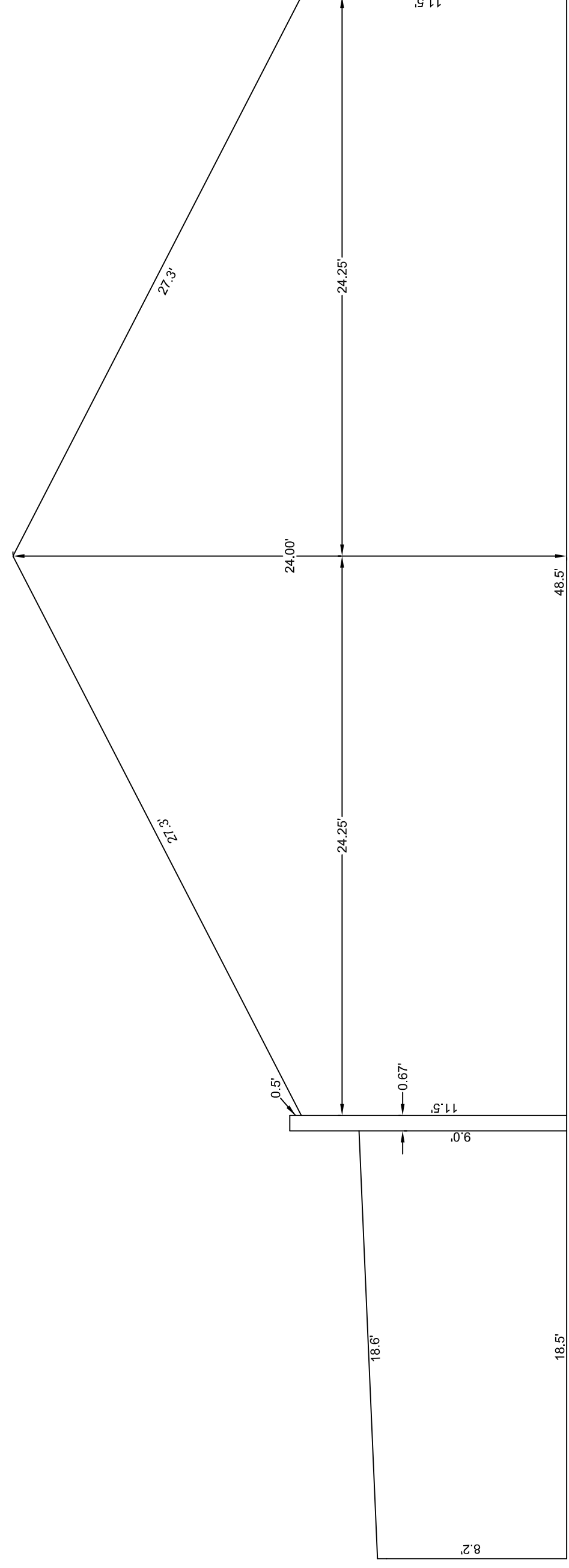
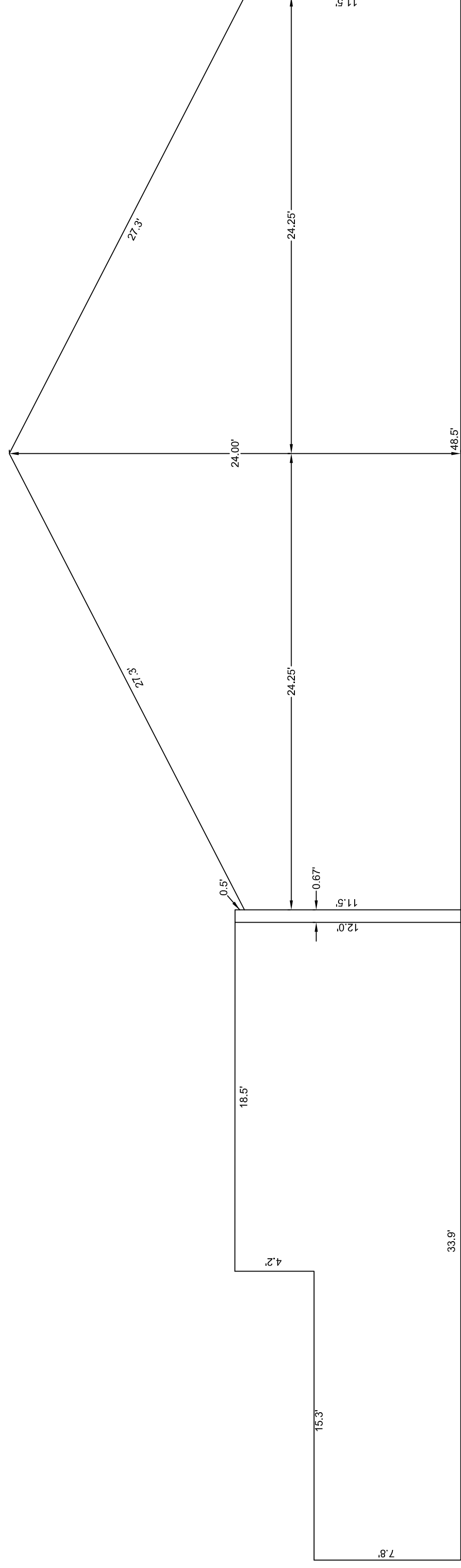


# Preliminary Condominium Plat of Flagstaff Lofts

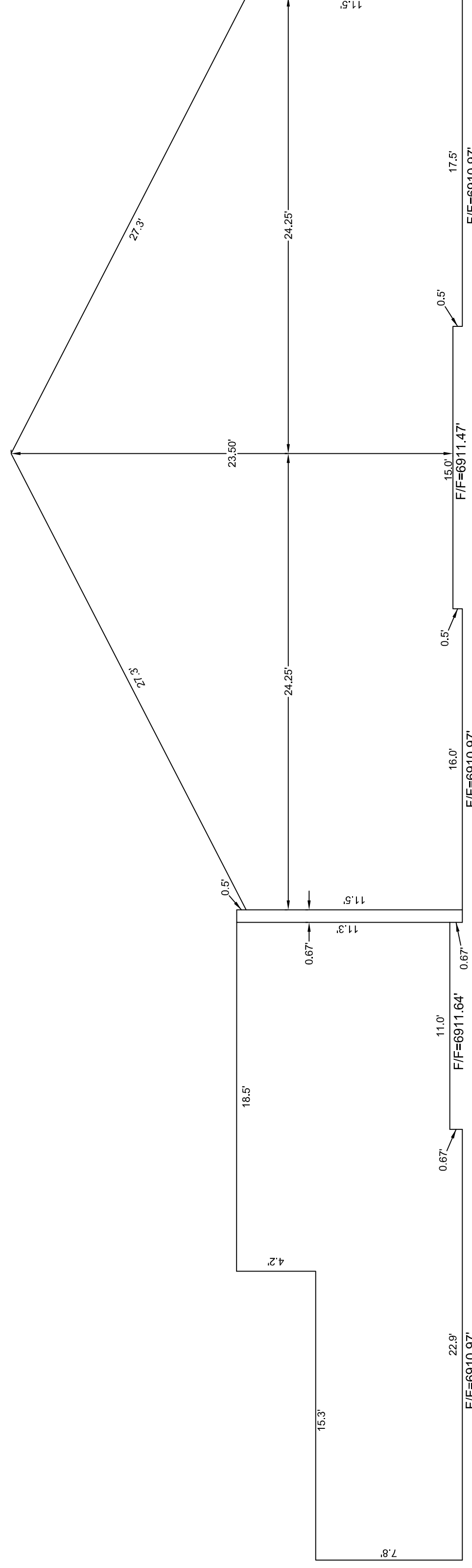
Situated in Section 16, Township 21 North, Range 7 East, Gila and Salt River Meridian, City of Flagstaff, Coconino County, Arizona.



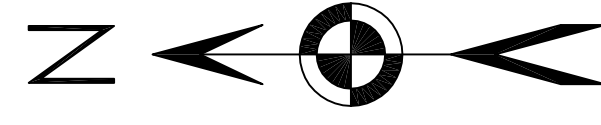
Section F-F



Section E-E

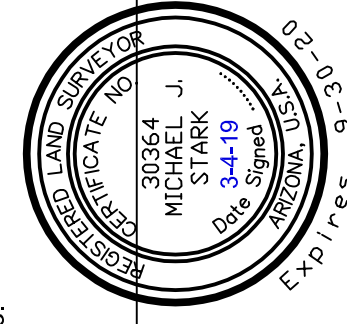


Section D-D



**CERTIFICATION:**

This is to certify that the survey on which this plat is based was performed directly under my supervision during August and September of 2018, and is true and correct to the best of my knowledge.



*Michael J. Shaw*

Revisions: City of Flagstaff Comments, 127-18, M.J.S.  
City of Flagstaff Comments, 135-19, M.J.S.  
City of Flagstaff Comments, 245-19, M.J.S.  
City of Flagstaff Comments, 245-19, M.J.S.

Northland Exploration Surveys, Inc.		SHEET	
528 West Aspen Avenue, Flagstaff, Arizona 86001 (928) 774-5058 FAX: (928) 774-3069		9	
SCALE	1" = 5.0'	SURVEYOR	EAW MBH-JFW/MJS
Preliminary Condominium Plat		DRAWN	M. J. Shaw
of		CHECKED	K. A. Krenke
Flagstaff Lofts		DATE	March 4, 2019
Sited in Section 16, Township 21 North, Range 7 East, Gila and Salt River Meridian, City of Flagstaff, Coconino County, Arizona.		JOB NO.	18-067