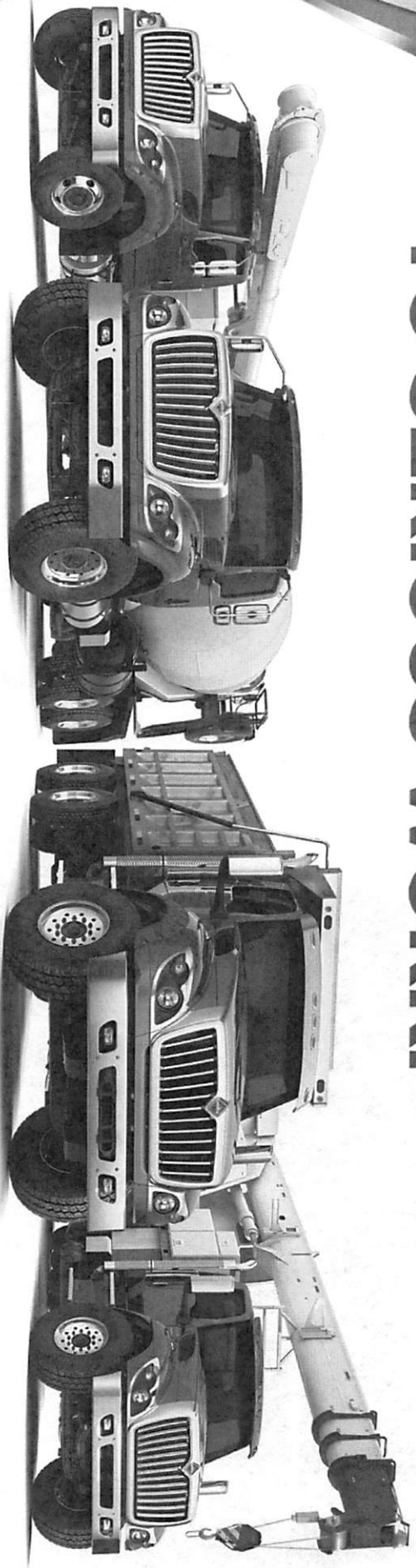


**A SMARTER APPROACH  
TO SERIOUS WORK.**



**INTRODUCING THE NEW HV SERIES.**

# INTRODUCING THE NEW INTERNATIONAL HV SERIES



IT'S UPTIME™

International® is a registered trademark of **NAVISTAR**, Inc.

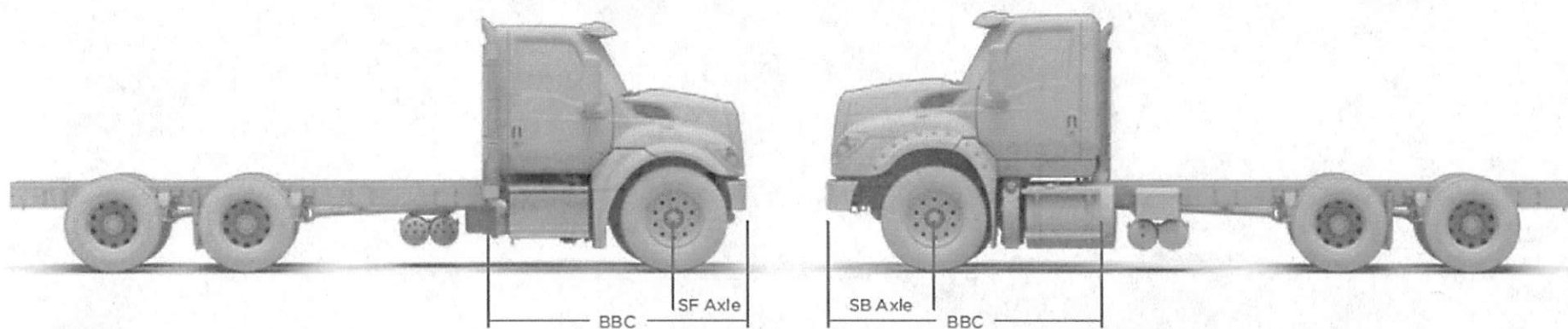


### Model Nomenclature Key

HV507 =

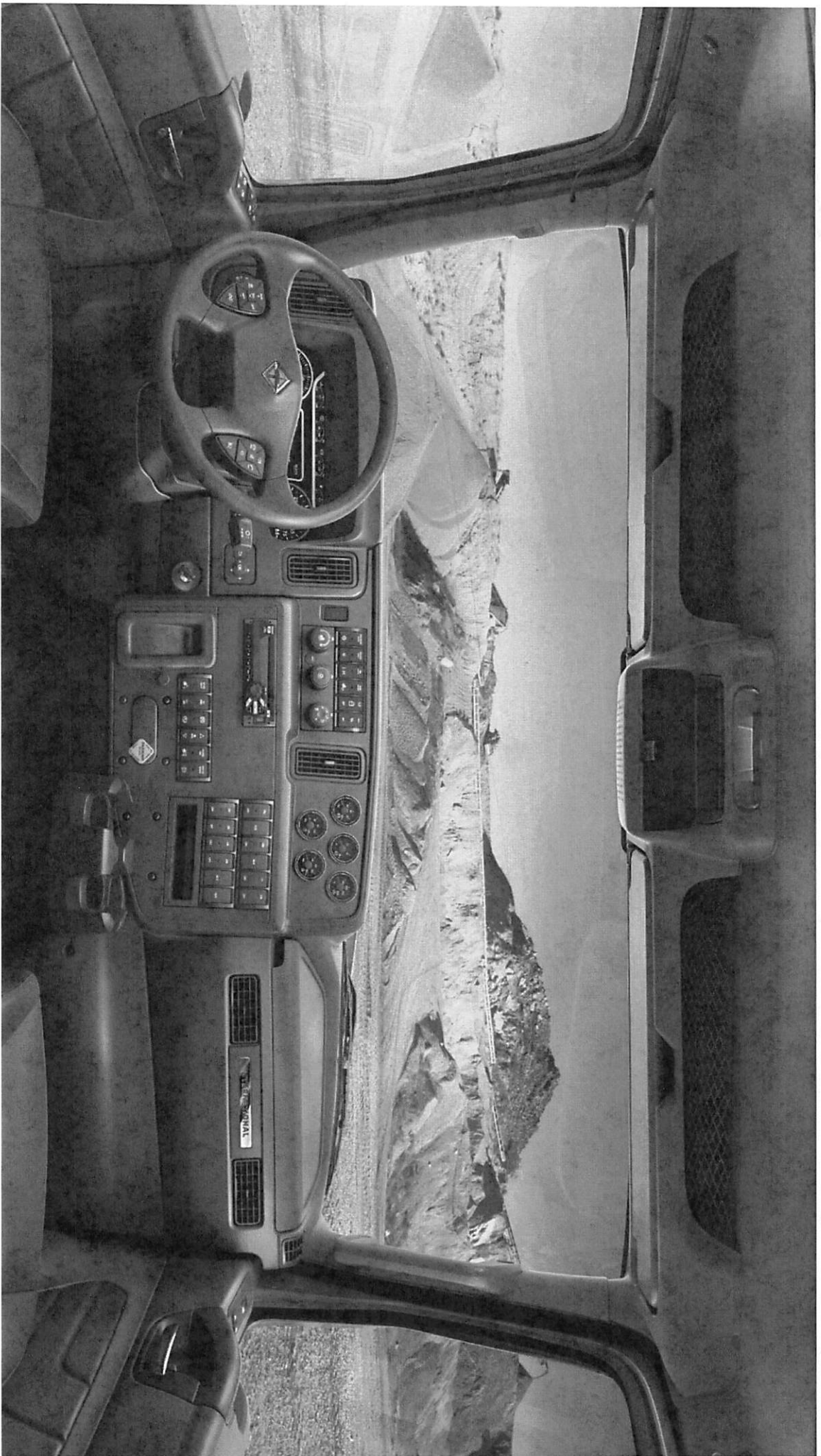
Model Designation	Axle Configuration	BBC in inches	
HV	5 = Set Forward	07	13
	6 = Set Back	07	13

= HV with set-forward axle and a 107" BBC



Configuration	Model	Axles
Set-Forward Axle	HV507	4X2
		4X4
		6X4
		6X6
	HV513	4X2
		6X4

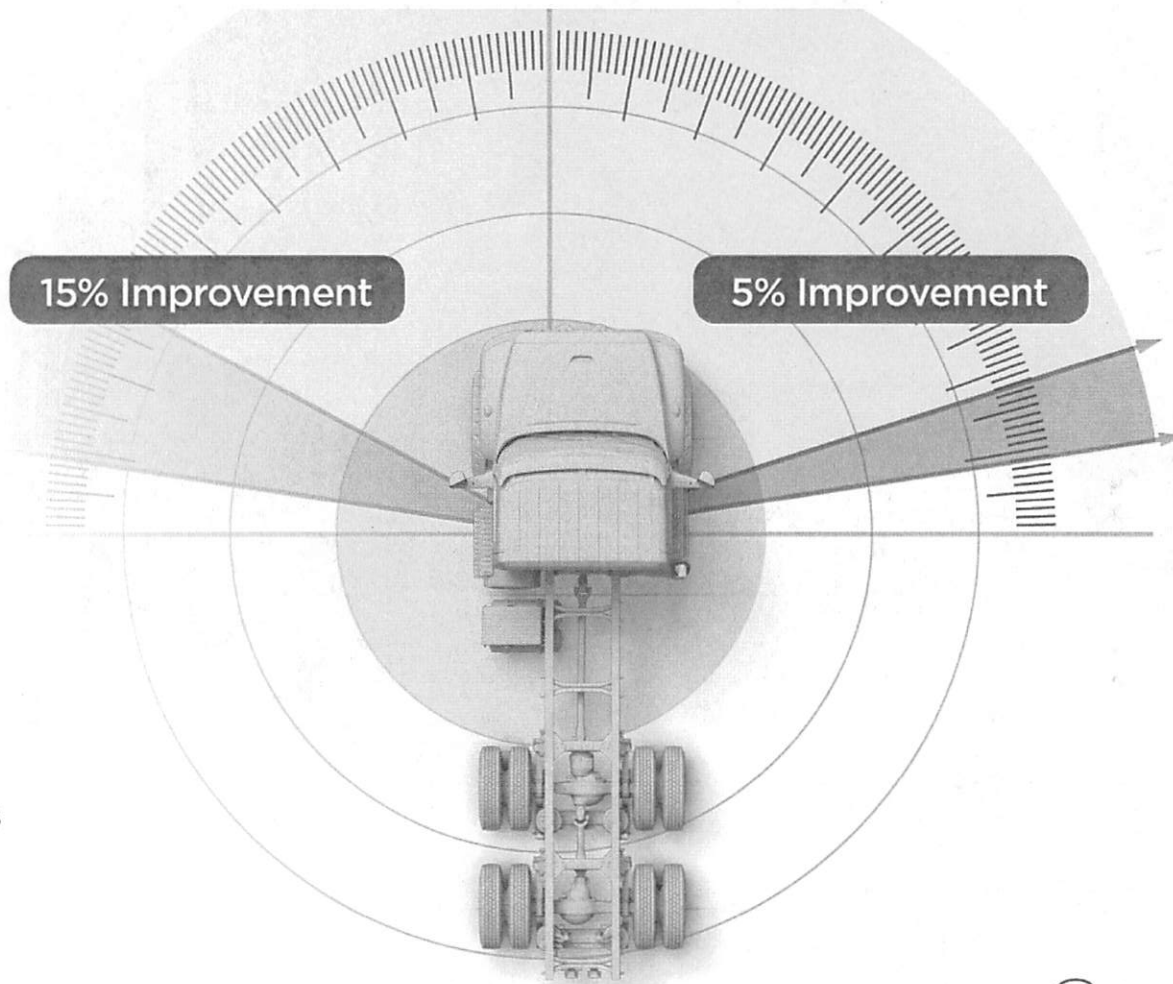
Configuration	Model	Axles
Set-Back Axle	HV607	4X2
		6X4
	HV613	4X2
		6X4
		8X6

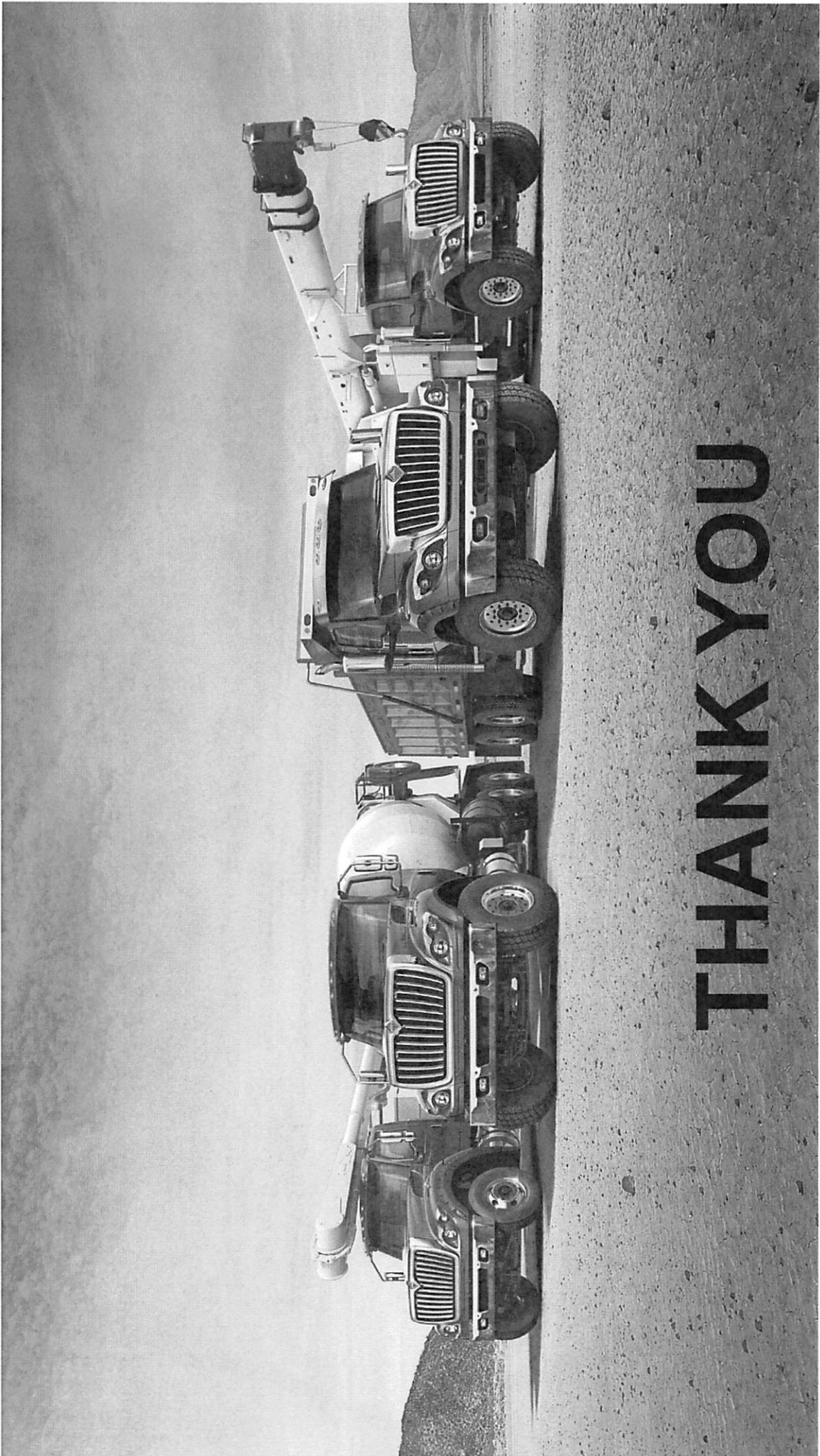




## IMPROVED VISIBILITY

The shaded areas represent how visibility has been optimized by reshaping the doors and side windows, and repositioning the cab mirrors so drivers turn their heads less. This increased visibility reduces driver stress and neck strain to enhance productivity.





**THANK YOU**