

City of Flagstaff



ENGINEERING
DETAIL

STREETLIGHT INSTALLATION DETAILS

DETAIL NO.

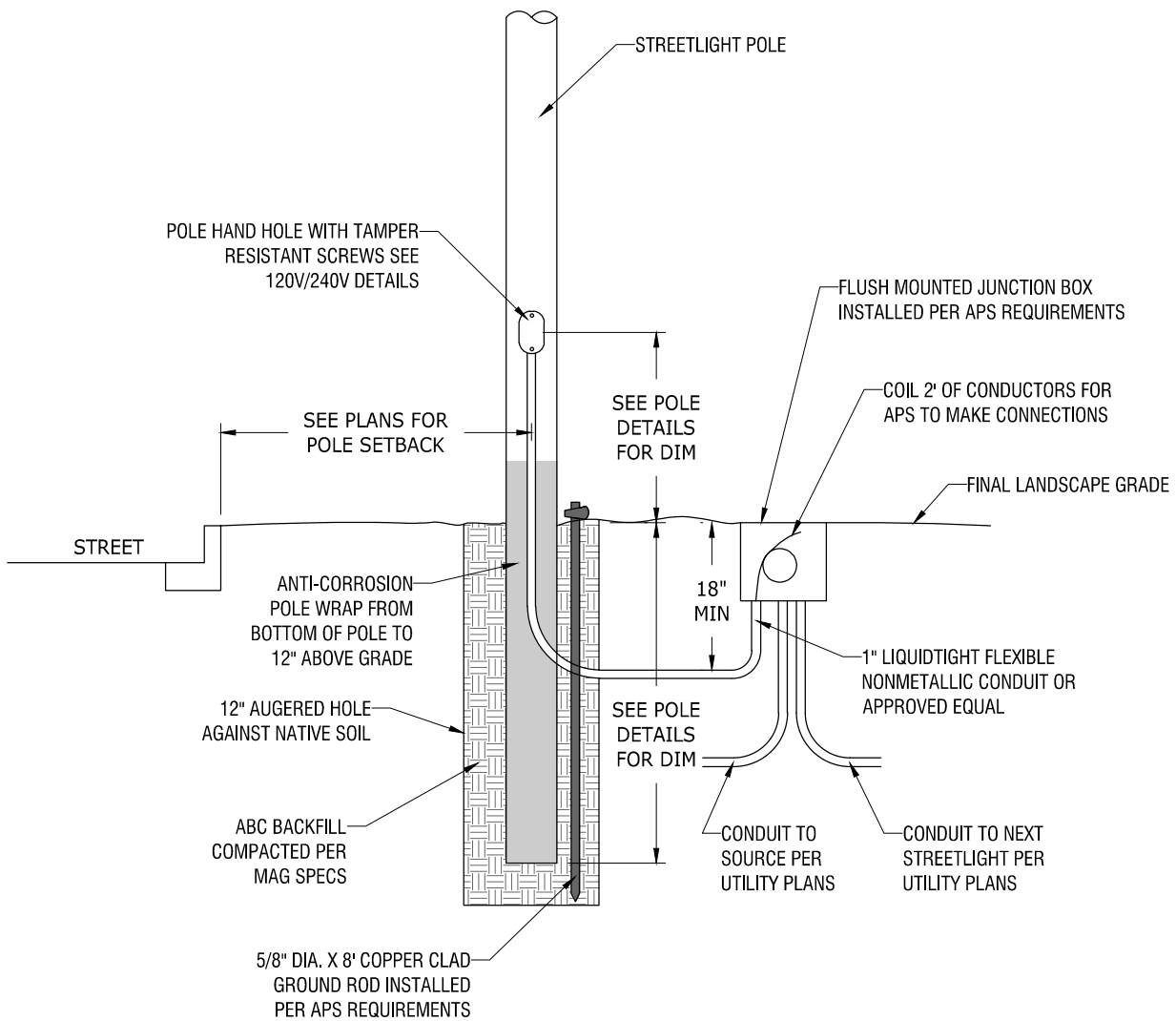
12-05-010

REVISION DATE:

01/22/2020

1

3



City of Flagstaff



ENGINEERING
DETAIL

STREETLIGHT INSTALLATION DETAILS

DETAIL NO.

12-05-010

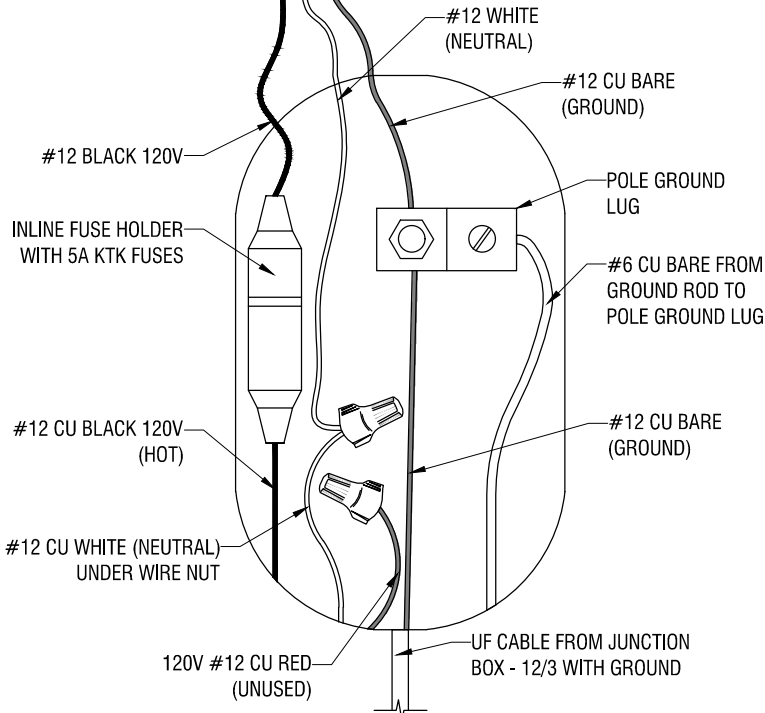
REVISION DATE:

01/22/2020

2

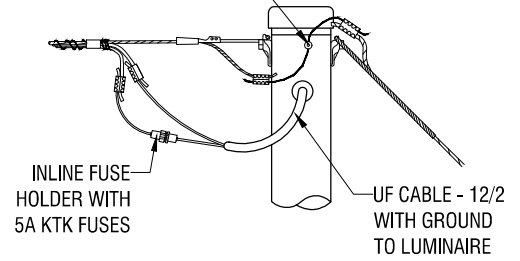
3

UF CABLE - 12/2 WITH GROUND TO LUMINAIRE



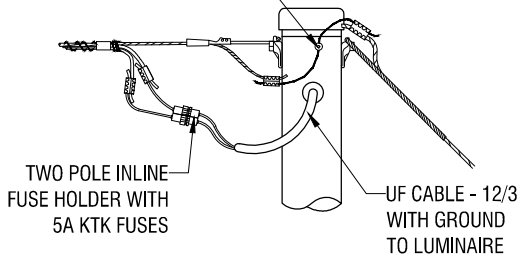
POLE HAND HOLE FUSING AND GROUNDING DETAIL 120V

OVERHEAD ATTACHMENTS MUST BE GROUNDED TO THE STREETLIGHT POLE



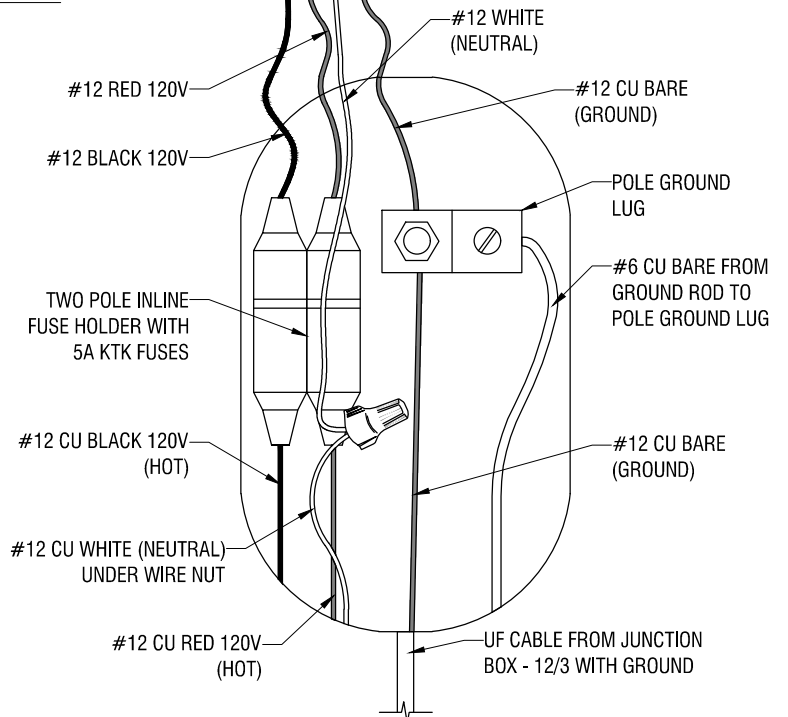
SINGLE FUSE - 120V

OVERHEAD ATTACHMENTS MUST BE GROUNDED TO THE STREETLIGHT POLE



DOUBLE FUSE - 240V

UF CABLE - 12/3 WITH GROUND TO LUMINAIRE



POLE HAND HOLE FUSING AND GROUNDING DETAIL 240V

City of Flagstaff



ENGINEERING
DETAIL

STREETLIGHT INSTALLATION DETAILS

DETAIL NO.

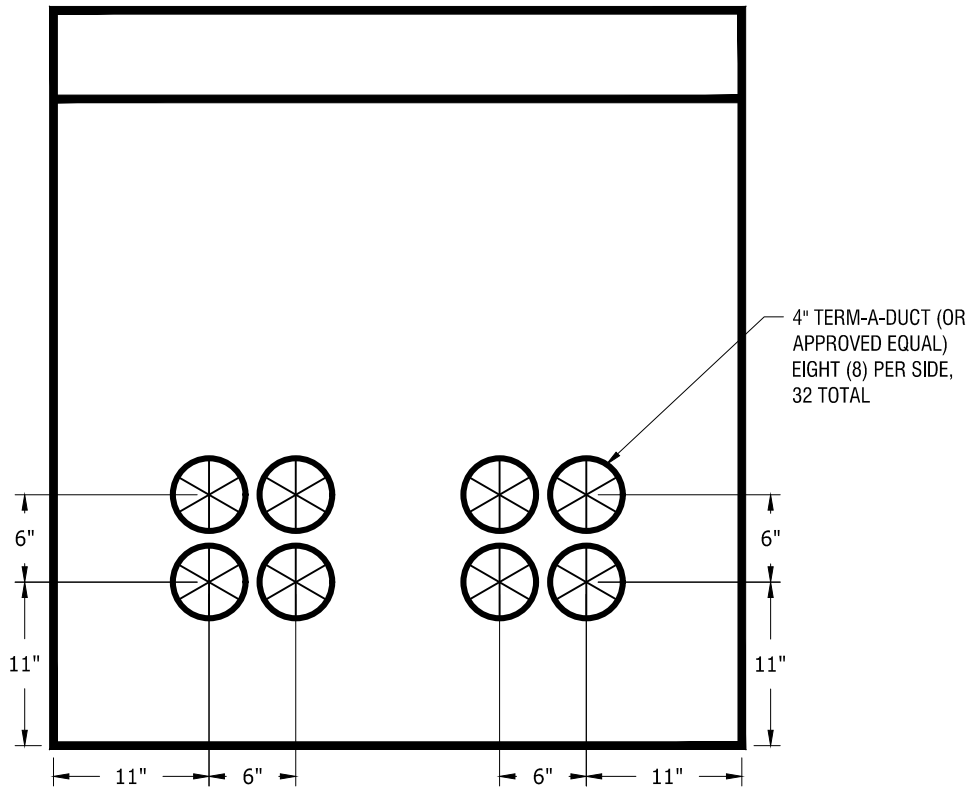
12-05-010

REVISION DATE:

01/22/2020

3

3



SIDE VIEW

GENERAL NOTES

1. PULL BOX SHALL COMPLY WITH ARIZONA DEPARTMENT OF TRANSPORTATION (ADOT) STANDARD DRAWINGS FOR NO. 9 PULL BOX WITH MODIFICATIONS NOTED BELOW.
2. EACH SIDE OF PULL BOX SHALL HAVE EIGHT (8) 4" TERM-A-DUCTS (OR APPROVED EQUAL) AS SHOWN ABOVE, TOTAL OF 32 PER BOX.
3. LETTERING ON PULL BOX COVER SHALL BE A MINIMUM OF 2" HIGH AND READ "CITY OF FLAGSTAFF".

City of Flagstaff



ENGINEERING
DETAIL

COF NO. 9 PULL BOX

DETAIL NO.

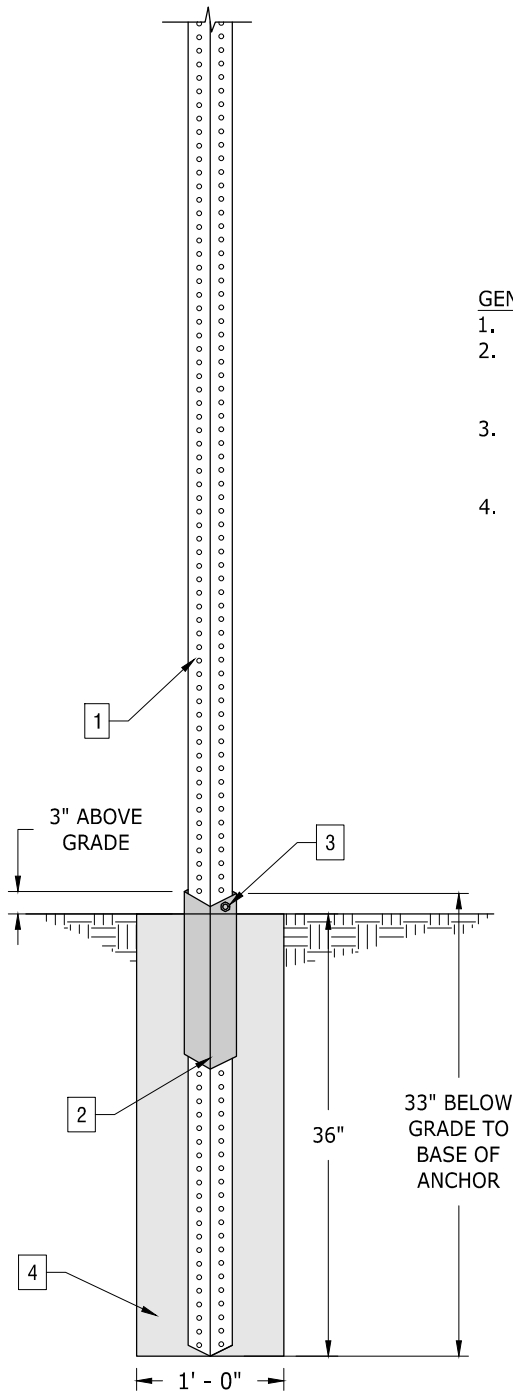
16-03-010

REVISION DATE:

01/22/2020

1

1



GENERAL NOTES

1. POST: PRE-FORMED SQUARE 2" X 2" X 12GA - LENGTH VARIES
2. ANCHOR ASSEMBLY: 2-1/4" X 2-1/4" X 7GA X 36" LONG; SHALL BE WRAPPED IN TWO LAYERS OF DUCT TAPE BEFORE CONCRETE PLACEMENT
3. FASTENER ASSEMBLY: 3/8-16UNC X 3-1/2" LONG CADMIUM PLATED HEX HEAD BOLT WITH LOCKING NUT AND FLAT WASHERS
4. CONCRETE FOUNDATION

City of Flagstaff



ENGINEERING
DETAIL

SIGN POST DETAIL

DETAIL NO.

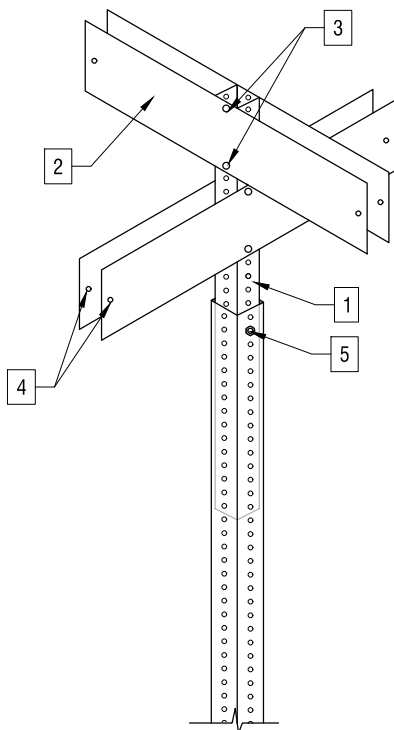
16-05-030

REVISION DATE:

01/22/2020

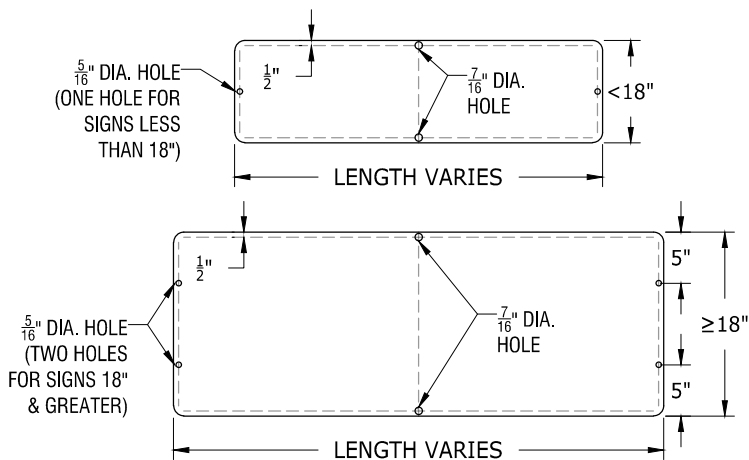
1

1



GENERAL NOTES

1. POST: PRE-FORMED SQUARE 1-3/4" X 1-3/4" X 12GA X 3'0" OR 4'0" NOMINAL LENGTH; TO BE INSERTED A MINIMUM OF 12" INTO 2" X 2" POST FROM DETAIL 16-05-030
2. SIGN BLADE: STREET NAME SIGN, BLANK DETAIL 16-05-010, EACH POST SHOULD HAVE 2, 4, OR 6 SIGNS PER POST.
3. BOLT ASSEMBLY: 5/16" X 3" BOLT, TWO 5/16" WASHERS (BETWEEN HEX BOLT HEAD AND SIGN, AND BETWEEN NUT AND SIGN), 5/16" NYLON LOCK NUT
4. RIVET AND SPACER ASSEMBLY: SIMI FASTENING SYSTEMS PART NO. VCR187-34 1/4" DIA CHERRY MATE RIVET WITH VCS237-1-3/4" LONG HOLLOW TUBE SPACER
5. FASTENER ASSEMBLY: 3/8-16UNC X 3-1/2" LONG CADMIUM PLATED HEX HEAD BOLT WITH LOCKING NUT AND FLAT WASHERS



SIGN BLANK HOLE LAYOUT DETAIL

City of Flagstaff



ENGINEERING
DETAIL

STREET NAME SIGN INSTALL DETAIL

DETAIL NO.

16-05-040

REVISION DATE:

01/22/2020

1

1