

- ### GENERAL NOTES
- CONCEPTUAL LANDSCAPE PLAN IS SCHEMATIC IN NATURE. AT THE TIME OF LANDSCAPE CONSTRUCTION DRAWINGS ACTUAL LOCATIONS, QUANTITIES, SIZES, AND SPECIES SHALL BE FINALIZED PER CITY CODES.
  - ALL TREES USED WITHIN THIS PROJECT SHALL BE NURSERY GROWN OR ARE TO REMAIN IN PLACE. EXACT LOCATIONS AND QUANTITIES SHALL BE DETERMINED ON LANDSCAPE CONSTRUCTION DRAWINGS.
  - ALL LANDSCAPE AREAS SHALL RECEIVE AN AUTOMATIC HARD PIPE IRRIGATION SYSTEM AND SMART CONTROLLER FOR MAXIMUM WATER EFFICIENCY. WHICH SHALL COMPLY WITH CITY OF FLAGSTAFF REQUIREMENTS. FINAL DESIGN TO BE DEVELOPED DURING CONSTRUCTION DOCUMENTS.
  - ALL PLANT MATERIAL SHALL BE INSTALLED PER CITY REQUIREMENTS. PLANT MATERIAL INSTALLED WITHIN SIGHT DISTANCE TRIANGLES SHALL BE OF A SPECIES THAT DOES NOT GROW TO A HEIGHT OF MORE THAN 30' AND SHALL BE MAINTAINED PER CITY REQUIREMENTS.
  - ALL DISTURBED AREAS NOT RECEIVING TURF OR WILDFLOWER MIX SHALL RECEIVE A 4" DEPTH OF BARK MULCH.
  - ALL EARTHWORK WILL BE DONE TO DRAIN AWAY FROM SIDEWALKS AND STRUCTURES.
  - ADDITIONAL PLANT MATERIAL MAY BE INTRODUCED AS DIFFERENT VARIETIES BECOME AVAILABLE THROUGH LOCAL NURSERIES AND IF THEY ARE CONSISTENT WITH THE OVERALL THEME OF THIS PROJECT.



### PROJECT DATA

PROJECT OWNER: AURA FLAGSTAFF LLC  
 3378 SOUTH 16TH AVE.  
 YUMA, AZ 85365  
 CONTACT: SHIRLEY AURA SHIRLEY.AURA@AOL.COM

PROJECT DEVELOPER: TRINISIC RESIDENTIAL GROUP  
 2944 M. 44TH STREET #160  
 PHOENIX, AZ 85018  
 CONTACT: TODD GOSSSELINK TGOSSELINK@TRINISICRES.COM

LOT AREA: 1101 AC  
 CURRENT ZONING: E.R.  
 PROPOSED ZONING: M.R.

### PLANT SCHEDULE

SYMBOL	BOTANICAL NAME	COMMON NAME	SIZE	QTY.	COMMENTS
<b>TREES (DECIDUOUS)</b>					
⊙	<i>Acer glabrum</i>	Rocky Mountain Maple	1" Cal. Min. 15 Gal. Min.	54	Standard-trunk, Dense Canopy
⊙	<i>Malus species</i>	Flowering Crabapple	2" Cal. Min. 24" Box Min.	9	Standard-trunk, Dense Canopy
⊙	<i>Populus tremuloides</i>	Quaking Aspen	1" Cal. Min. 15 Gal. Min.	120	Standard-trunk, Dense Canopy
⊙	<i>Fyrus calleryana</i>	Flowering Pear	2" Cal. Min. 24" Box Min.	13	Standard-trunk, Dense Canopy
<b>TREES (EVERGREEN)</b>					
⊙	<i>Pinus nigra</i>	Austrian Pine	2" Cal. Min. 24" Box Min.	23	Standard-trunk, Dense Canopy
⊙	<i>Pinus ponderosa</i>	Ponderosa Pine	2" Cal. Min. 24" Box Min.	14	Standard-trunk, Dense Canopy
⊙	<i>Pseudotsuga menziesii</i>	Rocky Mountain Douglas Fir	2" Cal. Min. 24" Box Min.	8	Standard-trunk, Dense Canopy
<b>+ SHRUBS (DECIDUOUS)</b>					
⊙	<i>Artemisia ludoviciana</i>	Fairie Sage	1 Gal.	11	As Per Plan
⊙	<i>Barberis species</i>	Native Barbary	5 Gal.	42	As Per Plan
⊙	<i>Caragana species</i>	Mountain Mohogany	5 Gal.	4	As Per Plan
⊙	<i>Potentilla fruticosa</i>	Bush Cinquefoil	5 Gal.	64	As Per Plan
⊙	<i>Rhus glabra</i>	Smooth Sumac	5 Gal.	10	As Per Plan
⊙	<i>Symphoricarpos albus</i>	Snowberry	5 Gal.	24	As Per Plan
<b>+ SHRUBS (EVERGREEN)</b>					
⊙	<i>Arctostaphylos species</i>	Manzanita	5 Gal.	148	As Per Plan
⊙	<i>Barberis fremontii</i>	Fremont Barbary	5 Gal.	140	As Per Plan
⊙	<i>Juniperus chinensis</i>	Chinese Juniper	5 Gal.	34	As Per Plan
⊙	<i>Juniperus horizontalis</i>	Juniper	5 Gal.	422	As Per Plan
⊙	<i>Mahonia aquifolium</i>	Oregon Grape Holly	5 Gal.	266	As Per Plan
⊙	<i>Pinus mugo</i>	Mugo Pine	5 Gal.	144	As Per Plan
⊙	<i>Yucca baccata</i>	Banana Yucca	5 Gal.	59	As Per Plan
<b>+ GROUNDCOVERS</b>					
⊙	<i>Lonicera japonica</i>	Hall's Honeysuckle	1 Gal.	369	As Per Plan
⊙	<i>Teucrium chamaedrys</i>	Germander	1 Gal.	374	As Per Plan
<b>+ VINES</b>					
⊙	<i>Hedera species</i>	Ivy	15 Gal.	17	Trained to Fence/Wall
<b>+ GRASSES</b>					
⊙	<i>Boutelous gracilis</i>	Blue Grama	1 Gal.	28	As Per Plan
⊙	<i>Muhlenbergia rigens</i>	Deer Grass	1 Gal.	269	As Per Plan
<b>MISCELLANEOUS</b>					
⊙	BARK MULCH - COLOR: HIGH DESERT BROWN - 4" DEPTH IN ALL SPECIFIED PLANTING AREAS (TYP)				
⊙	ARTIFICIAL TURF WITH PERMEABLE BASE WITH 4" EXTRUDED CONCRETE HEADER - 5,245 SQ. FT. (1% OF TOTAL SITE AREA)				
⊙	NATIVE GRASS AND WILDFLOWER SEED MIX - 19,450 SQ. FT. (REFERENCE NATIVE GRASS & WILDFLOWER SEED MIX MATRIX)				
⊙	** THERE IS NO OASIS ZONE PROPOSED ON THIS PROJECT				

### GRASS & WILDFLOWER MIX

LBS/AC.	BOTANICAL NAME	COMMON NAME
3	<i>Boutelous curtipendula</i>	Sideoats Grama
2	<i>Erigeron divergens</i>	Fleabane
2	<i>Festuca arizonica</i>	Arizona Fescue
2	<i>Hilaria jamesii</i>	Galleta Grass
2	<i>Lupinus argenteus</i>	Silvery Lupine
4	<i>Orzopsis hymenoides</i>	Indian Rice Grass
4	<i>Penstemon pinifolius</i>	Pineleaf Penstemon

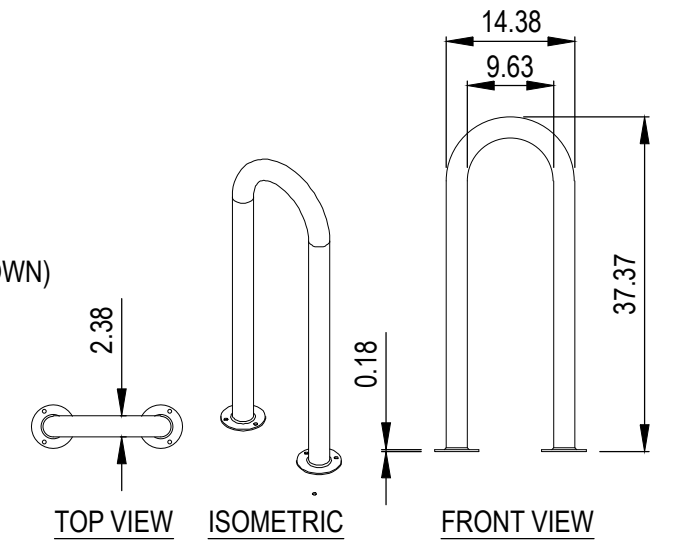
SEEDLING RATE: 19 LBS / ACRE

### PLANT QUANTITY SCHEDULE

LOCATION	TREES (ON AVERAGE)	SHRUBS (ON AVG.)	GROUNDCOVER
STREET BUFFER	1 PER 25 L.F.	2 PER TREE	2 PER TREE
HIGH COUNTRY TRAIL	35 (85% L.F./25)	70	70
REQUIRED	38	390	97
PROVIDED			
* NOTE: DUE TO CONFLICTS WITH EXISTING OVERHEAD POWER EASEMENT AND SIGHT VISIBILITY EASEMENTS REQUIRED TREES COUNTED HEREIN HAVE BEEN DISPERSED THROUGHOUT THE SITE			
PERIPHERAL BUFFER	1 PER 25 L.F.	2 PER TREE	2 PER TREE
REQUIRED	69 (1,728 L.F./25)	137	137
PROVIDED	94 (86 Protected + 8 Proposed)	243	144 (98 1 Gal. + (23 5 Gal.)x2)
PARKING AREA	2 PER 8 SPACES	2 PER TREE	2 PER TREE
REQUIRED	61 ((241 SURFACE SPACES/8)x2)	122	122
PROVIDED	66	246	164
** NOTE: DUE TO CONFLICTS WITH PARKING SPACES LOCATED UNDER EXISTING OVERHEAD POWER EASEMENT, A PORTION OF THE REQUIRED TREES COUNTED HEREIN HAVE BEEN DISPERSED THROUGHOUT THE SITE			
BUILDING FOUNDATION	1 PER 25 L.F.	2 PER TREE	2 PER TREE
REQUIRED	160 (3,987 L.F./25)	319	319
PROVIDED	172 (43 Protected + 129 Proposed)	527	384
*** NOTE: PROTECTED TOTALS ARE BASED ON CREDITS GAINED BY CALCULATING THE TRUNK DIAMETER AT BREAST HEIGHT OF PROTECTED TREES SOUTH OF HIGH COUNTRY TRAIL (129); NOT TOTAL NUMBER OF TREES PROTECTED (60) ACCORDING TO FLAGSTAFF ZONING CODE DIVISION 10-5060 LANDSCAPE STANDARDS (TABLE 10-5060.050A)			



- SELECT DESIRED MODEL
  - 3 BICYCLE METRO BIKE RACK LBR3PSURF (SHOWN)
  - BRONZE
- FINISH: FUSIONGUARD® POWDER COAT  
 MATERIAL: 2.38" OD x 10-GAUGE WALL STEEL TUBING.  
 UNIT WEIGHT: 35 lbs.  
 MOUNTING OPTIONS: SURFACE MOUNT.



ASSEMBLY REQUIRED  
 5 YEAR SATISFACTION GUARANTEE INCLUDING COVERAGE FOR FADING, RUSTING, CHIPPING AND CRACKING

NOTES:  
 1. INSTALLATION TO BE COMPLETED IN ACCORDANCE WITH MANUFACTURER'S SPECIFICATIONS.  
 2. ALL DIMENSIONS ARE CONSIDERED TRUE AND REFLECT MANUFACTURER'S SPECIFICATIONS.  
 3. CONTRACTOR'S NOTE: FOR PRODUCT AND COMPANY INFORMATION VISIT [www.CADdetails.com/info](http://www.CADdetails.com/info) REFERENCE NUMBER 928-106.

**3 BICYCLE METRO BIKE RACK WITH POWDER COAT FINISH AND SURFACE MOUNT** MODEL: LBR3PSURF



COLLABORATIVE V  
 DESIGN STUDIO INC.  
 7116 EAST 1ST AVE.,  
 SUITE 103  
 SCOTTSDALE, ARIZONA  
 85251  
 OFFICE: 480-347-0590  
 FAX: 480-656-6012



EXPIRES 06/30/2022

LANDSCAPE IMPROVEMENTS  
**AURA FLAGSTAFF**  
 151 W. High Country Trail Flagstaff, Arizona 86001

PRELIMINARY  
 NOT FOR  
 CONSTRUCTION

DESIGNED BY: PV/SH  
 DRAWN BY: SH  
 CHECKED BY: PV / MD  
 DATE: AUGUST 21, 2018  
 REVISIONS: CITY COMMENTS JANUARY 24, 2019  
 CITY COMMENTS FEBRUARY 19, 2019  
 CITY COMMENTS JANUARY 7, 2020  
 CITY COMMENTS APRIL 29, 2020  
 FENCE LAYOUT PLAN APRIL 19, 2021

AURA FLAGSTAFF  
 SITE PLAN SUBMITTAL

LANDSCAPE PLAN

L1.10

1 of 1