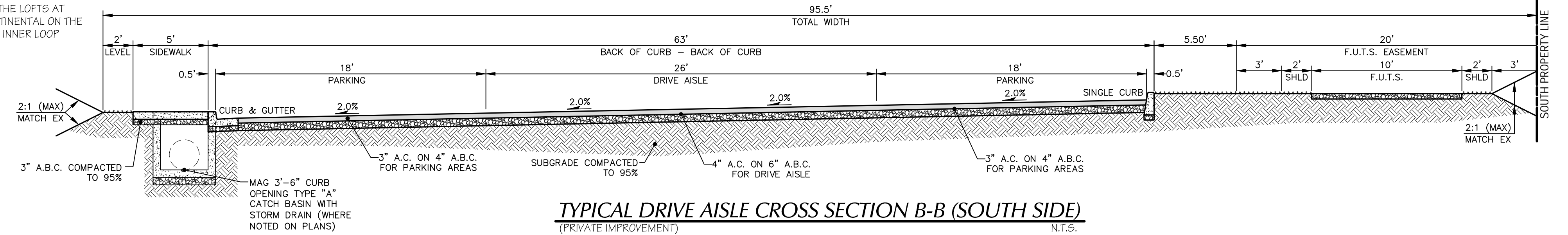


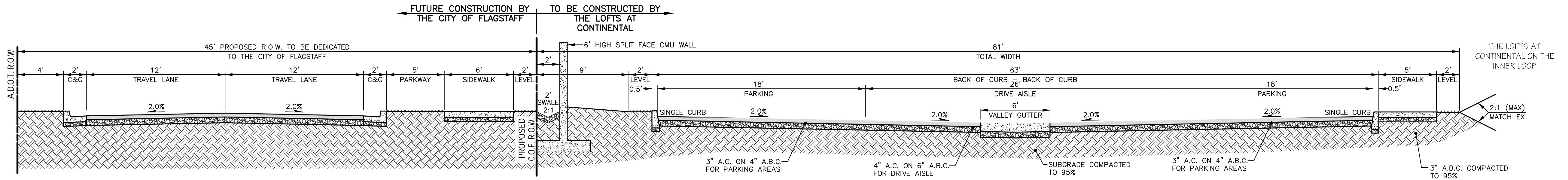
CONCEPT ZONING PLAN FOR THE LOFTS AT CONTINENTAL

LOCATED IN A PORTION OF THE SW1/4 OF SECTION 8, TOWNSHIP 21 NORTH, RANGE 8 EAST, G&S.R.M. FLAGSTAFF, COCONINO COUNTY, ARIZONA

PRELIMINARY
NOT FOR CONSTRUCTION OR RECORDING



TYPICAL DRIVE AISLE CROSS SECTION B-B (SOUTH SIDE)
(PRIVATE IMPROVEMENT) N.T.S.



TYPICAL DRIVE AISLE CROSS SECTION A-A (NORTH SIDE)
(PRIVATE IMPROVEMENT) N.T.S.

Mogollon
ENGINEERING & SURVEYING
THE LOFTS AT CONTINENTAL
CONCEPT ZONING PLAN
PROPOSED ACCESS & VEHICULAR CIRCULATION
7/29/21
MES# 20356

Mogollon
ENGINEERING & SURVEYING
4111 N. Santa Fe Avenue
Flagstaff, Arizona 86001
Phone: 928-214-0214

PRELIMINARY
NOT FOR CONSTRUCTION OR RECORDING

Mogollon
ENGINEERING & SURVEYING
PROJECT NO. 20356
DATE: 7/29/21
DESIGNED BY: PHE
DRAWN BY: PHE
CHECKED BY: KVA/RDS
REVISIONS:
P/N SHEET-04.DWG
VERT SCALE: N/A
HOR SCALE: 1"=60'
CONCEPT-4