



Sands Motor Company

Alan Ray | 480-580-5287 | aray@sandsag.com

City of Flagstaff

Prepared For: Richard Hearne

928-213-2165

rahearne@flagstaffaz.gov

2021 Chevrolet Silverado MD (CC56403) 2WD Reg Cab Work Truck



Under Maricopa County Contract 180277-C - VEHICLE REPLACEMENT PROGRAM



Sands Motor Company

Alan Ray | 480-580-5287 | aray@sandsag.com

Dump Body Specifications

9' 7", 2 - 3 yard Rubgy Eliminator Dump body

Painted white

12" fold down sides

Electric over hydraulic double acting hoist

White steel straight-side "Backpack" truck box, 48" x 24" x 96", mounted behind cab

Includes two stationary shelves, stainless steel locking T-handle latches and gas spring door openers

17K Hitch with 7 way RV socket

Pull tarp 14' x 96" black mesh, manual



Sands Motor Company

Alan Ray | 480-580-5287 | aray@sandsag.com

Table of Contents

- Quote Worksheet
- Window Sticker
- Weight Distribution
- Standard Equipment
- Geared Road Speed
- Gradeability Chart
- Turning Circle
- Dealership Information

This document contains information considered Confidential between GM and its Clients uniquely. The information provided is not intended for public disclosure. Prices, specifications, and availability are subject to change without notice, and do not include certain fees, taxes and charges that may be required by law or vary by manufacturer or region. Performance figures are guidelines only, and actual performance may vary. Photos may not represent actual vehicles or exact configurations. Content based on report preparer's input is subject to the accuracy of the input provided.

Data Version: 16127. Data Updated: Mar 30, 2022 3:56:00 AM PDT.



Sands Motor Company

Alan Ray | 480-580-5287 | aray@sandsag.com

[Retail] 2021 Chevrolet Silverado MD (CC56403) 2WD Reg Cab Work Truck (9) (✔ Complete)

Quote: City of Flagstaff, Silverado 4500HD with Rugby 2-3 Yard Dump Body

Quote Worksheet

	MSRP
Base Price	\$49,700.00
Dest Charge	\$1,695.00
Total Options	\$5,080.00
Subtotal	\$56,475.00
Rugby Eliminator Dump Body, Backpack Box, per specs on page 2	\$22,375.00
2 additional keys, fobs, total of 4	\$385.00
Max Legal Window Tint	\$160.00
Subtotal Pre-Tax Adjustments	\$22,920.00
Less Customer Discount	(\$5,000.00)
Subtotal Discount	(\$5,000.00)
Trade-In	\$0.00
Excluded from Sales Tax	Subtotal Trade-In
	\$0.00
Taxable Price	\$74,395.00
Tire Weight Tax	\$26.64
Sales Tax	8.50% \$6,323.58
MSO, no registration included	\$0.00
Subtotal Taxes	\$6,350.22
Subtotal Post-Tax Adjustments	\$0.00
Total Sales Price	\$80,745.22

Dealer Signature / Date

Customer Signature / Date

This document contains information considered Confidential between GM and its Clients uniquely. The information provided is not intended for public disclosure. Prices, specifications, and availability are subject to change without notice, and do not include certain fees, taxes and charges that may be required by law or vary by manufacturer or region. Performance figures are guidelines only, and actual performance may vary. Photos may not represent actual vehicles or exact configurations. Content based on report preparer's input is subject to the accuracy of the input provided.

Data Version: 16127. Data Updated: Mar 30, 2022 3:56:00 AM PDT.



Sands Motor Company

Alan Ray | 480-580-5287 | aray@sandsag.com

[Retail] 2021 Chevrolet Silverado MD (CC56403) 2WD Reg Cab Work Truck (9) (✔ Complete)

Quote: City of Flagstaff, Silverado 4500HD with Rugby 2-3 Yard Dump Body

Window Sticker

SUMMARY

[Retail] 2021 Chevrolet Silverado MD (CC56403) 2WD Reg Cab Work Truck

MSRP:\$49,700.00

Interior:Dark Ash seats with Jet Black interior accents, Cloth seat trim

Exterior 1:Summit White

Exterior 2:No color has been selected.

Engine, Duramax 6.6L Turbo-Diesel V8, B20-Diesel compatible

Highway Service Transmission, Automatic close-ratio 6 SPD with double overdrive, Allison, A1750HS

OPTIONS

CODE	MODEL	MSRP
CC56403	[Retail] 2021 Chevrolet Silverado MD (CC56403) 2WD Reg Cab Work Truck	\$49,700.00
OPTIONS		
066	Rear axle, 4.10 ratio	\$0.00
1WT	Work Truck Preferred Equipment Group	\$0.00
5DX	Electrical Provisions, rear of cab, upfitter, body builder wiring	\$115.00
7Y8	Batteries, heavy-duty dual 1300 cold-cranking amps	\$85.00
8E4	Additional fuel, 5 gallons	\$20.00
9L3	Spare tire delete	\$0.00
A31	Windows, power with driver express up and down and express down on all other windows	\$290.00
AE7	Seats, front 40/20/40 split-bench, 3-passenger	\$100.00
AQQ	Remote Keyless Entry	\$175.00
BTN	Battery, top post threaded, battery jump start stud	\$50.00
C7Y	GVWR, 14,001 lb. (6350 kg)	\$0.00
DPN	Mirrors, outside heated power-adjustable vertical trailering, upper glass, manual-folding and extending, black.	\$355.00
ED9	Wheelbase, 165" (419.1 cm), 84" CA	\$175.00
FF3	Oil seal for front hub, Chicago Rawhide Nitrile for oil lubricated wheel bearings	\$25.00
FG0	Oil filled front hubs, synthetic oil EmGard FE-75W-90	\$30.00

This document contains information considered Confidential between GM and its Clients uniquely. The information provided is not intended for public disclosure. Prices, specifications, and availability are subject to change without notice, and do not include certain fees, taxes and charges that may be required by law or vary by manufacturer or region. Performance figures are guidelines only, and actual performance may vary. Photos may not represent actual vehicles or exact configurations. Content based on report preparer's input is subject to the accuracy of the input provided.

Data Version: 16127. Data Updated: Mar 30, 2022 3:56:00 AM PDT.



Sands Motor Company

Alan Ray | 480-580-5287 | aray@sandsag.com

[Retail] 2021 Chevrolet Silverado MD (CC56403) 2WD Reg Cab Work Truck (9) (✔ Complete)

Quote: City of Flagstaff, Silverado 4500HD with Rugby 2-3 Yard Dump Body

FNPN	Front fender extension, painted body color		\$105.00
FPF	DPF, diesel particulate filter, manual regeneration		\$250.00
FTC	Front axle, 6,250 lb. (2,835 kg), Dana Spicer D800-N, "I"-beam, non-driving		\$0.00
FTW	Front suspension, 6,250 lb. (2,835 kg) multi-leaf, includes shock absorbers		\$0.00
G68	Shock Absorbers, rear	Inc.	
G86	Axle, limited slip, Dana Spicer Truetrac, torque proportioning limited slip		\$350.00
GAZ	Summit White		\$0.00
GR4	Rear suspension, 13,500 lb. (6,123 kg) multi-leaf, vari-rate		\$25.00
H2R	Dark Ash seats with Jet Black interior accents, Cloth seat trim		\$0.00
HD2	Rear axle, 13,500 lb. (6,124 kg) Dana Spicer S14-110, single reduction		\$355.00
IOB	Audio system, 7" diagonal color touch-screen with Chevrolet Infotainment		\$275.00
JL1	Trailer brake controller, integrated		\$275.00
L5D	Engine, Duramax 6.6L Turbo-Diesel V8, B20-Diesel compatible		\$0.00
MJ0	Highway Service Transmission, Automatic close-ratio 6 SPD with double overdrive, Allison, A1750HS		\$550.00
N12	Exhaust system, rear exit		\$50.00
NSQ	Fuel tank, front and rear, 65 gallon total		\$625.00
PTX	Power Take-Off (PTO), not installed		\$0.00
PWR	Wheels, 19.5" x 6.75", steel, Grey painted, 8-holes, hub piloted		\$80.00
R6I	30,000 lb. GCWR (13,607 kg)		\$0.00
R7M	4500 HD Series	Inc.	
SFW	Back-up alarm calibration	Inc.	
U05	Horn, dual-note		\$35.00
UQ3	6-speaker audio system	Inc.	
UVC	Rear Vision Camera, display integrated into Radio		\$200.00
UY7	Trailer provisions, trailering wire harness only, trailer combined (Stop/Tail/Turn) connection socket and harness mounted at rear of frame.		\$30.00
UZF	Backup alarm		\$135.00


This document contains information considered Confidential between GM and its Clients uniquely. The information provided is not intended for public disclosure. Prices, specifications, and availability are subject to change without notice, and do not include certain fees, taxes and charges that may be required by law or vary by manufacturer or region. Performance figures are guidelines only, and actual performance may vary. Photos may not represent actual vehicles or exact configurations. Content based on report preparer's input is subject to the accuracy of the input provided.

Data Version: 16127. Data Updated: Mar 30, 2022 3:56:00 AM PDT.



Sands Motor Company

Alan Ray | 480-580-5287 | aray@sandsag.com

[Retail] 2021 Chevrolet Silverado MD (CC56403) 2WD Reg Cab Work Truck (9) ( Complete)

Quote: City of Flagstaff, Silverado 4500HD with Rugby 2-3 Yard Dump Body

V22	Grille, chrome	\$195.00
V46	Bumper, front chrome	\$100.00
V76	Recovery hooks, front, frame-mounted, black	\$25.00
XDK	Tires, front 225/70R19.5G highway blackwall Goodyear	\$0.00
YAL	Tires, rear 225/70R19.5G highway blackwall Goodyear	\$0.00
ZY1	Paint, solid	\$0.00
—	Bluetooth for phone, personal cell phone connectivity to vehicle audio system	Inc.

SUBTOTAL	\$54,780.00
Adjustments Total	\$0.00
Tire Weight Tax	\$26.64
Destination Charge	\$1,695.00
TOTAL PRICE	\$56,501.64

This document contains information considered Confidential between GM and its Clients uniquely. The information provided is not intended for public disclosure. Prices, specifications, and availability are subject to change without notice, and do not include certain fees, taxes and charges that may be required by law or vary by manufacturer or region. Performance figures are guidelines only, and actual performance may vary. Photos may not represent actual vehicles or exact configurations. Content based on report preparer's input is subject to the accuracy of the input provided.

Data Version: 16127. Data Updated: Mar 30, 2022 3:56:00 AM PDT.



Sands Motor Company

Alan Ray | 480-580-5287 | aray@sandsag.com

[Retail] 2021 Chevrolet Silverado MD (CC56403) 2WD Reg Cab Work Truck (9) (✔ Complete)

Quote: City of Flagstaff, Silverado 4500HD with Rugby 2-3 Yard Dump Body

Standard Equipment

Mechanical

4500 HD Series (Included and only available with (C7Y) 14,001 lb. GVWR, (C5B) 15,000 lb. GVWR, (C7P) 16,000 lb. GVWR or (C7R) 16,500 lb. GVWR.) (STD)

GVWR, 16,500 lb. (7484 kg) (Silverado 4500 HD 2WD Regular Cab models require one of the following combinations: (1) (FTC) 6.25k front axle and (FTW) 6.25k front suspension and (GL4) 11k rear axle and (GR3) 11k rear suspension. (2) (FTC) 6.25k front axle and (FTW) 6.25k front suspension and one of the following rear axles: (HD2) 13.5k rear axle, (HD1) 15k rear axle or (J27) 15.5k rear axle and (GR4) 13.5k rear suspension. (3) (FTA) 7k front axle and (FK6) 7k front suspension and (FN1) 10k rear axle or (GL4) 11k rear axle and (GR3) 11k rear suspension or (G40) 12K Rear air suspension. (4) (FTA) 7k front axle and (FK6) 7k front suspension and (HD1) 15k rear axle or (J27) 15.5k rear axle and one of the following rear suspensions: (GR4) 13.5k rear suspension, (FU7) 15.5k rear suspension, (GP1) 13.5K rear air suspension, (GP8) 15.5k rear air suspension, (91B) 13.5k LiquidSpring prep single volume rear suspension, (91C) 13.5k LiquidSpring prep stacked volume rear suspension, (91D) 15.5k LiquidSpring prep single volume rear suspension or (91E) 15.5k LiquidSpring prep stacked volume rear suspension.) (STD)

Emissions, 50 state certification

Emissions, USA 50 State certified

Engine, Duramax 6.6L Turbo-Diesel V8, B20-Diesel compatible 350 hp @ 2700 rpm, 700 lb.-ft. torque @ 1600 rpm (STD)

Highway Service Transmission, Automatic close-ratio 6 SPD with double overdrive, Allison, A1700HS ratios: 3.10 1ST, 1.80 2ND, 1.40 3RD, 1.00 4TH, 0.70 5TH, 0.61 6TH Highway Series, 19.5K GVW & 26K GCW Max., requires PTX and park pawl. Available with GVWs less than or equal to 19.5K (Requires (C7Y) 14,001 lb. GVWR, (C5B) 15,000 lb. GVWR, (C7P) 16,000 lb. GVWR, (C7R) 16,500 lb. GVWR, (GZX) 17,500 lb. GVWR, (GZJ) 18,000 lb. GVWR or (GZG) 19,500 lb. GVWR. Requires (R6G) 26,000 lb. GCWR (11,793 kg).) (STD)

Rear axle, 4.10 ratio Max road speed: 79 MPH

Wheelbase, 141" (358.1 cm), 60" CA (Requires (F0C) 49" axle to end of frame, (F0D) 63" axle to end of frame or (F0K) 91" axle to end of frame and (NPR) exhaust. Requires (PCJ) Vocational Specific Heavy Suspension Package, when ordering (FTA) 7,000 lb. Front axle/(FK6) 7,000 lb. Front suspension or (FTL) 8,000 lb. Front axle/(FSN) 8,000 lb. Front suspension and/or (FU7) 15,500 lb. rear suspension. Not available with rear air suspensions or (91B), (91C), (91D) or (91E) prep for LiquidSpring rear suspension.) (STD)

Front axle, 6,250 lb. (2,835 kg), Dana Spicer D800-N, "I"-beam, non-driving (Requires (FTW) 6,250 lb. front suspension. Includes (G68) rear shock absorbers. Not available with rear air suspensions.)

Front suspension, 6,250 lb. (2,835 kg) multi-leaf, includes shock absorbers (Not available with rear air suspensions.) (STD)

Rear axle, 11,000 lb. (4,999 kg) Dana Spicer S14-110, single reduction

Rear suspension, 11,000 (4,990 kg) multi-leaf, vari-rate (Not available with air suspension.) (STD)

Neutral-at-Stop Automatic transmission shifts to neutral when the service brake is depressed while the vehicle is at a complete stop, and remains in neutral until the service brake is released

Transmission shift control calibration, fuel sense Performance

This document contains information considered Confidential between GM and its Clients uniquely. The information provided is not intended for public disclosure. Prices, specifications, and availability are subject to change without notice, and do not include certain fees, taxes and charges that may be required by law or vary by manufacturer or region. Performance figures are guidelines only, and actual performance may vary. Photos may not represent actual vehicles or exact configurations. Content based on report preparer's input is subject to the accuracy of the input provided.

Data Version: 16127. Data Updated: Mar 30, 2022 3:56:00 AM PDT.



Sands Motor Company

Alan Ray | 480-580-5287 | aray@sandsag.com

[Retail] 2021 Chevrolet Silverado MD (CC56403) 2WD Reg Cab Work Truck (9) (✔ Complete)

Quote: City of Flagstaff, Silverado 4500HD with Rugby 2-3 Yard Dump Body

Mechanical

Rear wheel drive

Batteries, heavy-duty dual 1100 cold-cranking amps includes battery box mounted to left side under cab

Alternator, 150 amps

Incomplete vehicle

Axle to End of Frame, 49" (Requires wheelbase (ED5) 201", (ED9) 165", (ER2) 189" or (FQT) 141". Not available with (G40), (GP1) or (GP8) rear air suspension.)

Axle, Open rear axle, non-locking rear

Axle lubricant, rear, synthetic oil EmGard FE -75W-90

Shock Absorbers, rear (Included with (FTC) 6,250 lb. front axle.)

Steering, power (Bosch S2 8014 Plus)

Brakes, hydraulic, heavy duty Bosch/Meritor/Wabco system with 4-channel (ABS) (Includes (J69) driveline park brake.)

Fuel tank, rear only, 40 gallon mounted between frame side rails and behind rear axle

Fuel, diesel B20

Capped Fuel Fill

Exhaust system, right side exit, behind rear wheels (Requires (FQT) 141" wheelbase.)

Exhaust brake

Exterior

Wheels, 19.5" x 6.75", steel, Black painted, 8-holes, hub piloted (STD)

Tires, front 225/70R19.5G highway blackwall Goodyear Max Axle Load: 7,940 lb. (Requires (YAL) Tires, rear 225/70R19.5G highway blackwall Goodyear, Max Axle Load: 15,000 lb. or (YMF) Tires, rear 225/70R19.5G traction blackwall Goodyear, Max Axle Load: 15,000 lb.) (STD)

Tires, rear 225/70R19.5G highway blackwall Goodyear Max Axle Load: 15,000 lb. (STD)

Spare tire delete (STD)

Wheel, spare delete

Bumper, front, Black

Assist steps

Front fender extension, mold-in-color Black (Not available with (FNP) Body color front fender extension.)

Grille, base, molded in color, Black

Grille guard screen, insect protection (mounted behind grille)

Headlamps, halogen projector-beam

This document contains information considered Confidential between GM and its Clients uniquely. The information provided is not intended for public disclosure. Prices, specifications, and availability are subject to change without notice, and do not include certain fees, taxes and charges that may be required by law or vary by manufacturer or region. Performance figures are guidelines only, and actual performance may vary. Photos may not represent actual vehicles or exact configurations. Content based on report preparer's input is subject to the accuracy of the input provided.

Data Version: 16127. Data Updated: Mar 30, 2022 3:56:00 AM PDT.



Sands Motor Company

Alan Ray | 480-580-5287 | aray@sandsag.com

[Retail] 2021 Chevrolet Silverado MD (CC56403) 2WD Reg Cab Work Truck (9) (Complete)

Quote: City of Flagstaff, Silverado 4500HD with Rugby 2-3 Yard Dump Body

Exterior

Lamps, cargo area, cab mounted with switch on center switch bank

Lamps, Smoked Amber roof marker

Lamps, rear, stop/turn/backup (1-piece assembly) with license plate light

Mirrors, outside high-visibility vertical camper-style, Black with manual folding and extension and lower convex spotter glass

Glass, solar absorbing, tinted

Antenna, fixed mast

Door handles, Black

Entertainment

Audio system, 4.2" diagonal color display AM/FM stereo with USB port and auxiliary jack (Requires (AE7) front 40/20/40 split-bench seat. Not available with (UE1) OnStar or (U2K) SiriusXM Radio.) (STD)

SiriusXM, delete

Audio system feature, 4-speaker system

Interior

Seats, front 40/20/40 split-bench, 3-passenger driver and front passenger recline with outboard head restraints and center fold-down armrest with storage. Vinyl has fixed lumbar and cloth has manually adjustable driver lumbar. (STD)

Interior trim, Jet Black/Dark Ash (Required and only available with (H2Q/H2R) Dark Ash seats with Jet Black interior accents.)

Seat trim, Vinyl

Seat Belt, Black

Floor covering, Graphite-colored rubberized-vinyl

Steering wheel, urethane

Steering column, manual Tilt-Wheel

Instrumentation, 6-gauge cluster featuring speedometer, fuel level, engine temperature, tachometer, voltage and oil pressure

Speedometer, miles/kilometers

Driver Information Center, 3.5-inch diagonal monochromatic display, provides warning messages and basic vehicle information

Upfitter switch kit provides up to 4-30 amp circuits to facilitate installation of aftermarket electrical accessories located on the instrument panel

Windows, manual driver and front passenger

Door locks, power

This document contains information considered Confidential between GM and its Clients uniquely. The information provided is not intended for public disclosure. Prices, specifications, and availability are subject to change without notice, and do not include certain fees, taxes and charges that may be required by law or vary by manufacturer or region. Performance figures are guidelines only, and actual performance may vary. Photos may not represent actual vehicles or exact configurations. Content based on report preparer's input is subject to the accuracy of the input provided.

Data Version: 16127. Data Updated: Mar 30, 2022 3:56:00 AM PDT.



Sands Motor Company

Alan Ray | 480-580-5287 | aray@sandsag.com

[Retail] 2021 Chevrolet Silverado MD (CC56403) 2WD Reg Cab Work Truck (9) (✔ Complete)

Quote: City of Flagstaff, Silverado 4500HD with Rugby 2-3 Yard Dump Body

Interior

Cruise control, steering wheel-mounted

Air conditioning, single-zone

Mirror, inside rearview manual day/night

Visors, driver and front passenger, vinyl

Assist handle, front passenger and driver on A-pillars

Safety-Mechanical

Brake, parking, driveline park brake system

Electronic Stability Control System with Traction Control includes Electronic Trailer Sway Control and Hill Start Assist

Traction control

Safety-Exterior

Daytime Running Lamps, with automatic exterior lamp control

Safety-Interior

Airbags, Single-stage frontal airbags for driver and front outboard passenger; Seat-mounted side-impact airbags for driver and front outboard passenger; Head-curtain airbags for front outboard seating positions; Includes airbag deactivation switch for front outboard passenger airbag (Always use seat belts and child restraints. Children are safer when properly secured in a rear seat in the appropriate child restraint. See the Owner's Manual for more information.)

Airbag deactivation switch, frontal passenger-side (Included and only available with (AY0) airbags.)

OnStar, delete

Horn, single-note

WARRANTY

Warranty Note: <<< Preliminary 2021 Warranty >>>

Basic Years: 3

Basic Miles/km: 36,000

Drivetrain Years (Allison Basic): 5

Drivetrain Years: 5

Drivetrain Miles/km (Allison Basic): Unlimited

Drivetrain Miles/km: 100,000

Drivetrain Note: Duramax Diesel

Corrosion Years (Rust-Through): 6

Corrosion Years: 3

Corrosion Miles/km (Rust-Through): 100,000

Corrosion Miles/km: 36,000

Roadside Assistance Years: 5

Roadside Assistance Miles/km: 100,000

Maintenance Note: 1 Year/1 Visit

This document contains information considered Confidential between GM and its Clients uniquely. The information provided is not intended for public disclosure. Prices, specifications, and availability are subject to change without notice, and do not include certain fees, taxes and charges that may be required by law or vary by manufacturer or region. Performance figures are guidelines only, and actual performance may vary. Photos may not represent actual vehicles or exact configurations. Content based on report preparer's input is subject to the accuracy of the input provided.

Data Version: 16127. Data Updated: Mar 30, 2022 3:56:00 AM PDT.



Sands Motor Company

Alan Ray | 480-580-5287 | aray@sandsag.com

[Retail] 2021 Chevrolet Silverado MD (CC56403) 2WD Reg Cab Work Truck (9) (✔ Complete)

Quote: City of Flagstaff, Silverado 4500HD with Rugby 2-3 Yard Dump Body

Geared Road Speed

SPECIFICATION SUMMARY

Model #	CC56403
Engine Order Code	L5D
Model Manufacturer	Duramax
Type	Turbocharged Diesel V8
Displacement	6.6L/402
Horsepower	350 @ 2700
Starting Torque	N/A
Transmission Order Code	MJ0
Model Manufacturer	Allison
Type	6-Speed Automatic
Rear Axle Order Code	HD2
Model Manufacturer	A1750HS Allison
Weight Rating	13500 lbs
Ratio:1	4.10
Rear Tires	225/70R19.5G
Revolutions/Mile Front	640
Revolutions/Mile Rear	640
Surface Type	Concrete
Desired Grade	2%

0% Grade in gear

2% Grade in gear

Note: Simulated speedometer appearance may not correspond with selected equipment.

This document contains information considered Confidential between GM and its Clients uniquely. The information provided is not intended for public disclosure. Prices, specifications, and availability are subject to change without notice, and do not include certain fees, taxes and charges that may be required by law or vary by manufacturer or region. Performance figures are guidelines only, and actual performance may vary. Photos may not represent actual vehicles or exact configurations. Content based on report preparer's input is subject to the accuracy of the input provided.

Data Version: 16127. Data Updated: Mar 30, 2022 3:56:00 AM PDT.



Sands Motor Company

Alan Ray | 480-580-5287 | aray@sandsag.com

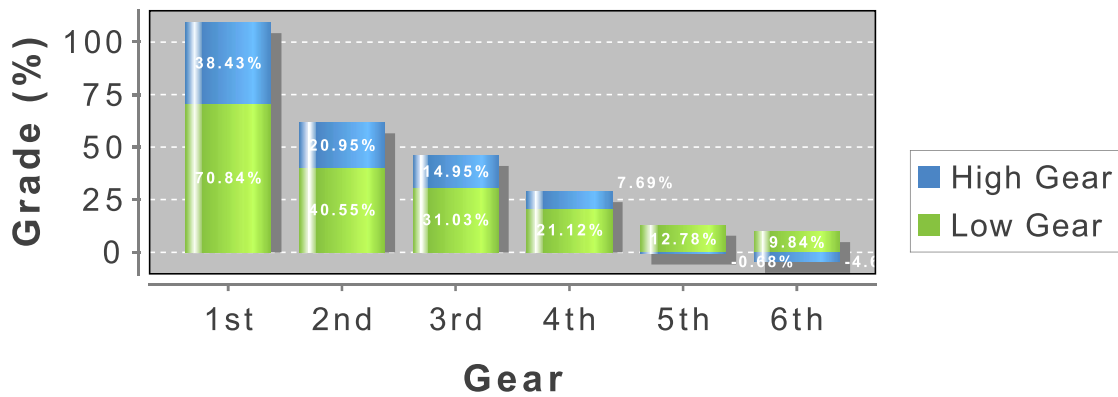
[Retail] 2021 Chevrolet Silverado MD (CC56403) 2WD Reg Cab Work Truck (9) (✔ Complete)

Quote: City of Flagstaff, Silverado 4500HD with Rugby 2-3 Yard Dump Body

Gradeability Chart

SPECIFICATION SUMMARY

Model #	CC56403
Engine Order Code	L5D
Model Manufacturer	Duramax
Type	Turbocharged Diesel V8
Displacement	6.6L/402
Horsepower	350 @ 2700
Starting Torque	N/A
Transmission Order Code	MJ0
Model Manufacturer	Allison
Type	6-Speed Automatic
Rear Axle Order Code	HD2
Model Manufacturer	A1750HS Allison
Weight Rating	13500 lbs
Ratio:1	4.10
Rear Tires	225/70R19.5G
Revolutions/Mile Front	640
Revolutions/Mile Rear	640
Surface Type	Concrete
Desired Grade	2%



This document contains information considered Confidential between GM and its Clients uniquely. The information provided is not intended for public disclosure. Prices, specifications, and availability are subject to change without notice, and do not include certain fees, taxes and charges that may be required by law or vary by manufacturer or region. Performance figures are guidelines only, and actual performance may vary. Photos may not represent actual vehicles or exact configurations. Content based on report preparer's input is subject to the accuracy of the input provided.

Data Version: 16127. Data Updated: Mar 30, 2022 3:56:00 AM PDT.



Sands Motor Company

Alan Ray | 480-580-5287 | aray@sandsag.com

[Retail] 2021 Chevrolet Silverado MD (CC56403) 2WD Reg Cab Work Truck (9) (Complete)

Quote: City of Flagstaff, Silverado 4500HD with Rugby 2-3 Yard Dump Body

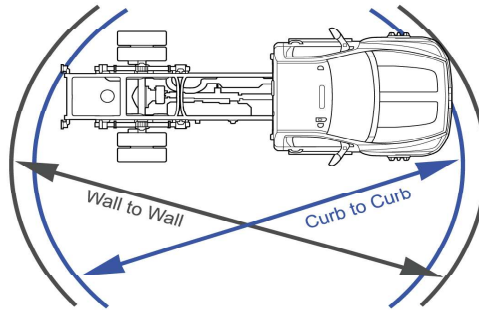
Turning Circle

SPECIFICATION SUMMARY

Model #	CC56403
Front Axle Order Code	FTC
Capacity (lbs)	6250 lbs
Wheelbase Order Code	ED9
Wheelbase (in)	165 in
Front Wheel Order Code	
Size/Type (in)	19.5 x 6.75 in
Front Tire Order Code	XDK
Size/Type	225/70R19.5G

Wall to Wall (ft): 48.8 ft

Wall to Wall diameter is measured from the outermost part of the cab.



Curb to Curb (ft): 47.2 ft

Curb to Curb diameter is measured from the outside of the front tire.

Sands Motor Company

This document contains information considered Confidential between GM and its Clients uniquely. The information provided is not intended for public disclosure. Prices, specifications, and availability are subject to change without notice, and do not include certain fees, taxes and charges that may be required by law or vary by manufacturer or region. Performance figures are guidelines only, and actual performance may vary. Photos may not represent actual vehicles or exact configurations. Content based on report preparer's input is subject to the accuracy of the input provided.

Data Version: 16127. Data Updated: Mar 30, 2022 3:56:00 AM PDT.



Sands Motor Company

Alan Ray | 480-580-5287 | aray@sandsag.com

Dealership Information

Sands - Since 1934!

Sands Motor Company is a Chevrolet Business Elite dealership, one of the nation's largest Chevrolet dealerships and the second oldest in Arizona, having been family-owned since 1934.

We are a certified Chevrolet Silverado Medium Duty and Low Cab Forward dealership, one of only approximately 400 in the Nation. Our 65 service bays are staffed with 25 Master Mechanics. Our Commercial Truck Service Department has 12 dedicated service bays and 8 dedicated Commercial Truck technicians. We also have a full service body shop.

We have the experience and the personnel to meet your needs for new and used cars and trucks, service, parts and body shop.

We look forward to working with you!

Sincerely,

Alan Ray, Fleet & Commercial Sales Manager
Sands Motor Company
5418 NW Grand Ave.
Glendale, Arizona 85311
Cell: 480-580-5287

Prepared By:

Alan Ray
Sands Motor Company
480-580-5287
aray@sandsag.com

This document contains information considered Confidential between GM and its Clients uniquely. The information provided is not intended for public disclosure. Prices, specifications, and availability are subject to change without notice, and do not include certain fees, taxes and charges that may be required by law or vary by manufacturer or region. Performance figures are guidelines only, and actual performance may vary. Photos may not represent actual vehicles or exact configurations. Content based on report preparer's input is subject to the accuracy of the input provided.

Data Version: 16127. Data Updated: Mar 30, 2022 3:56:00 AM PDT.