

Flagstaff City Council Meeting

Northcentral District Projects Update

Brenden Foley
Northcentral District Administrator

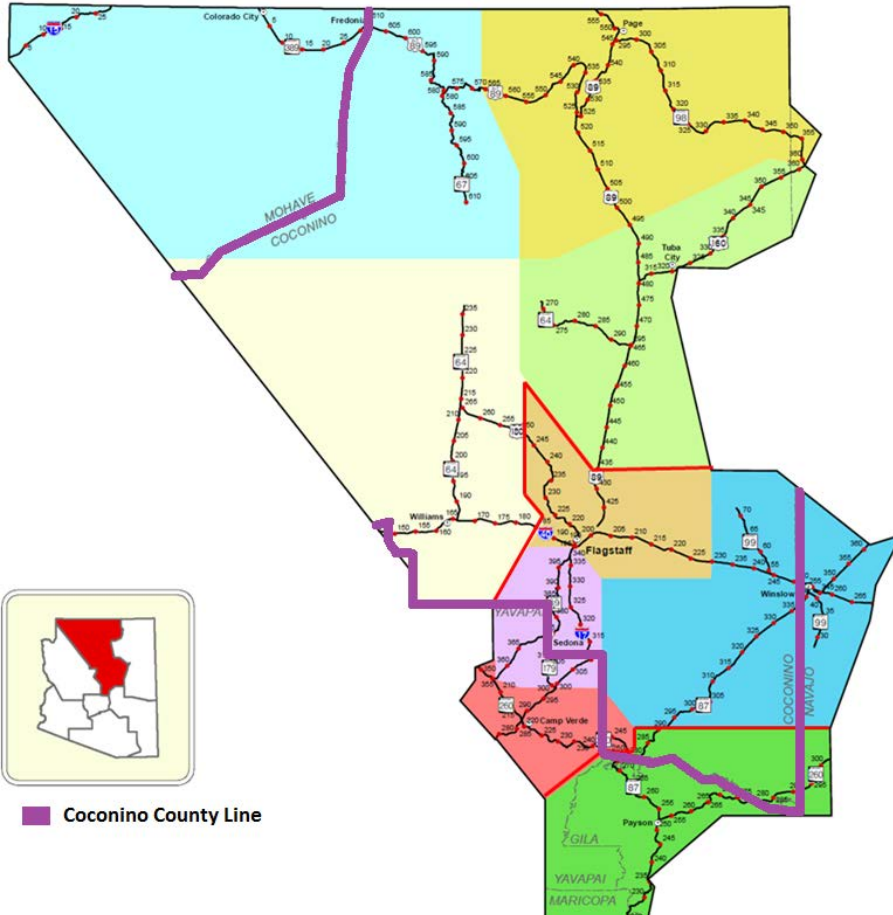
Agenda

A. Northcentral District

B. Projects in Construction

C. Upcoming Projects





- District Area ~ 23,000 square miles
- Just under 2,800 lane miles, mostly in Coconino County
- Coordinate our construction & maintenance activities with over 40 Stakeholders
- Approximately \$150 million in Construction Contracts (continued from last year and starting this year) In Progress

PROJECTS IN CONSTRUCTION

B40, RIO DE FLAG BRIDGE REPLACEMENT



PROJECTS IN CONSTRUCTION

I-40, West Flag TI Bridges Replacement



PROJECTS IN CONSTRUCTION

I-40, I-17 to Walnut Canyon Pavement Pres



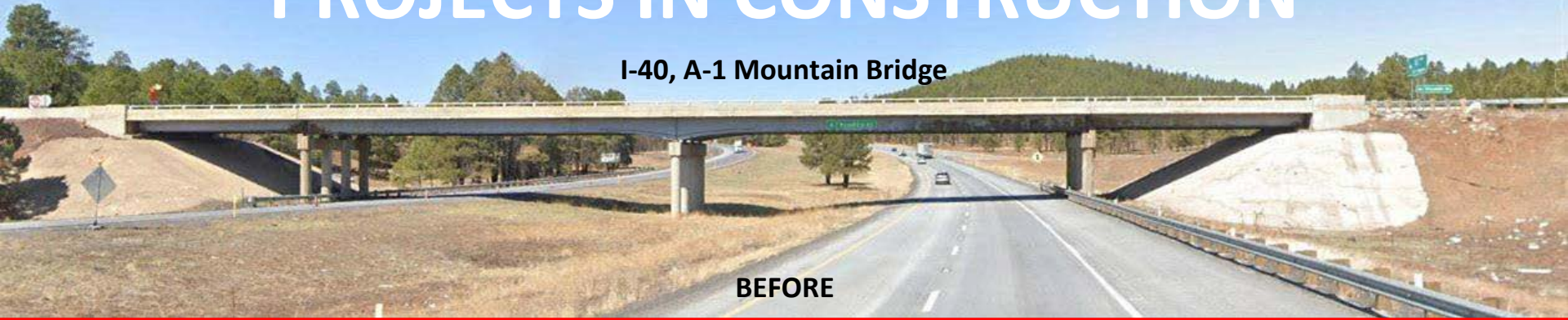
PROJECTS IN CONSTRUCTION

I-17, McGuireville RA to Flagstaff ITS Infrastructure



PROJECTS IN CONSTRUCTION

I-40, A-1 Mountain Bridge



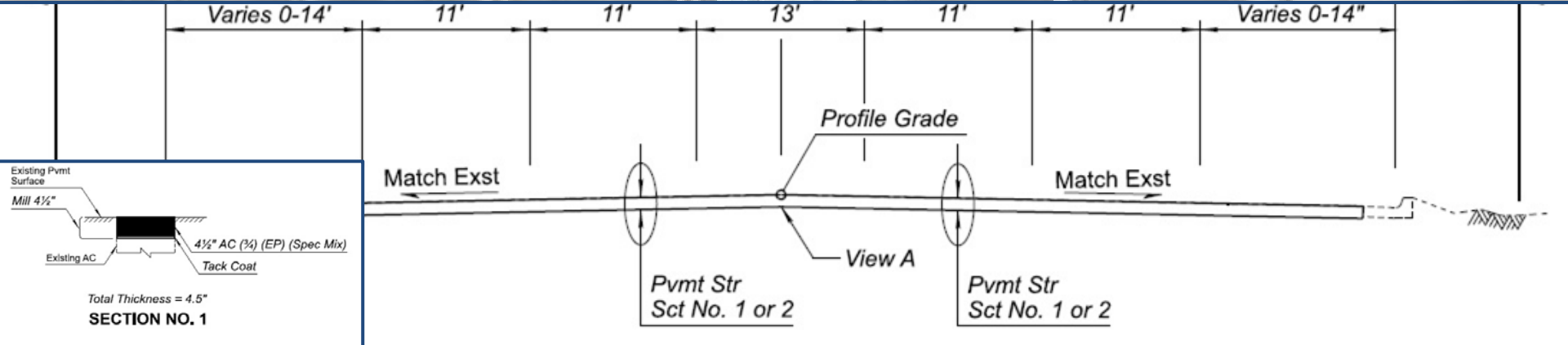
BEFORE



AFTER (RENDERING)

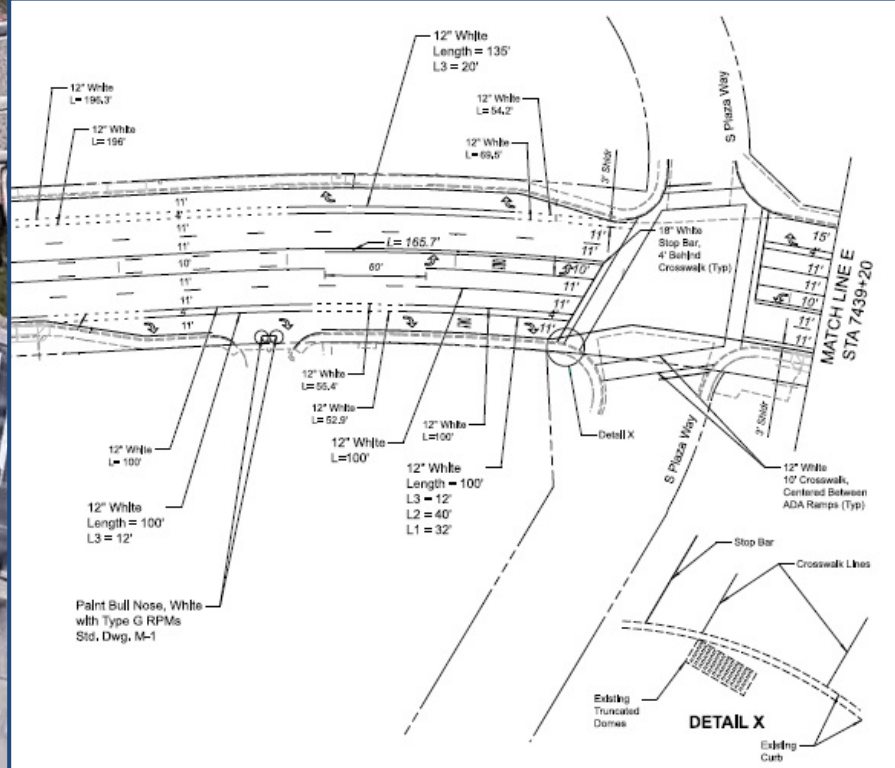
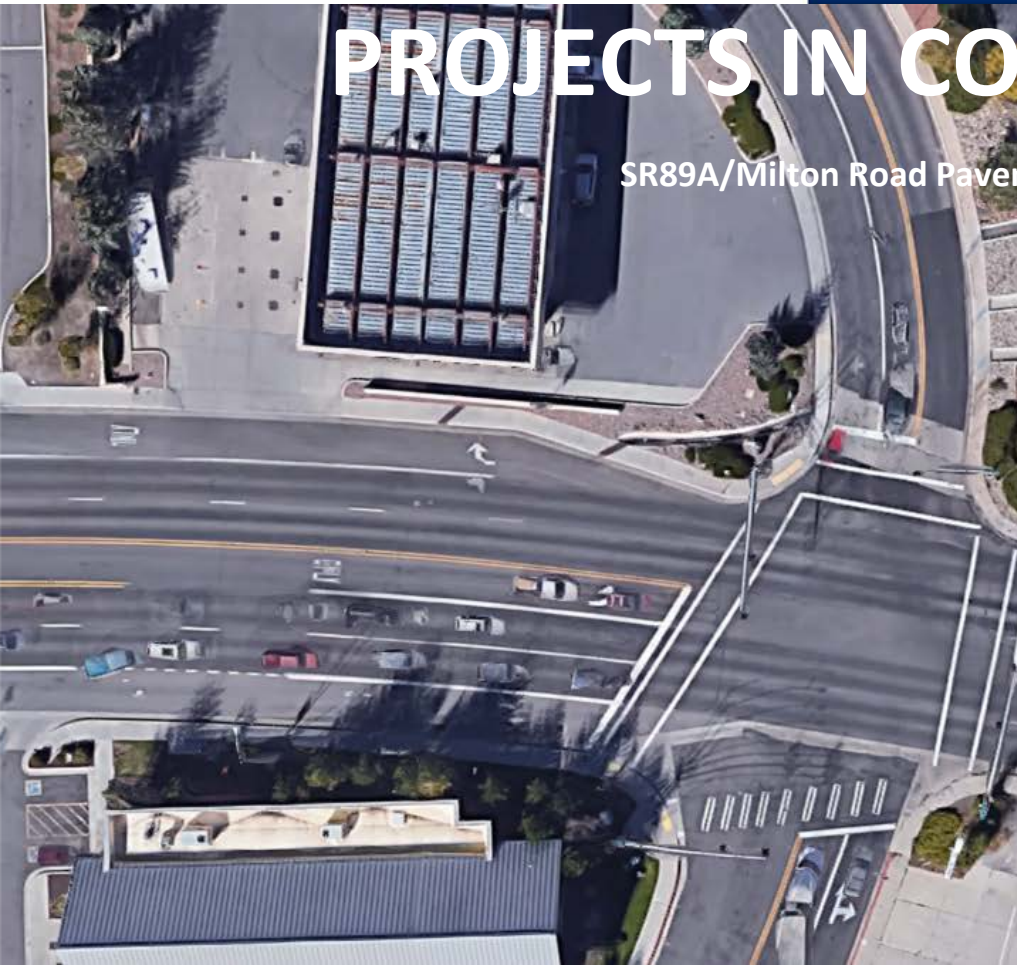
PROJECTS IN CONSTRUCTION

SR89A/Milton Road Pavement Preservation



PROJECTS IN CONSTRUCTION

SR89A/Milton Road Pavement Preservation



UPCOMING PROJECTS

- **SR89A OAK CREEK CANYON IMPROVEMENTS**
 - **TRAFFIC CONTROL STARTED 4/18**
 - **EROSION AND SEDIMENT CONTROL**
 - **PUMPHOUSE WASH BRIDGE DECK REHABILITATION**
 - **ROCKFALL MITIGATION**

- **I-17 SOUTHBOUND PAVEMENT PRESERVATION**
 - **ANTICIPATED START MAY 2022**

- **I-17, JW POWELL BLVD / AIRPORT ROAD TI BRIDGE REPLACEMENT**
 - **IN DEVELOPMENT**
 - **ANTICIPATED ADVERTISEMENT FALL 2023**



Thank You!

For more information, please visit us at:

<https://azdot.gov/projects/northcentral-district-projects>