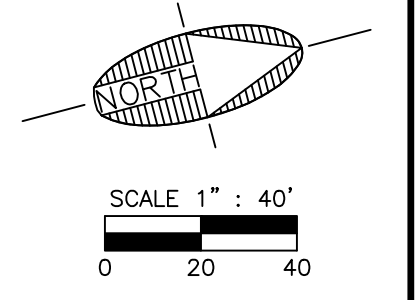
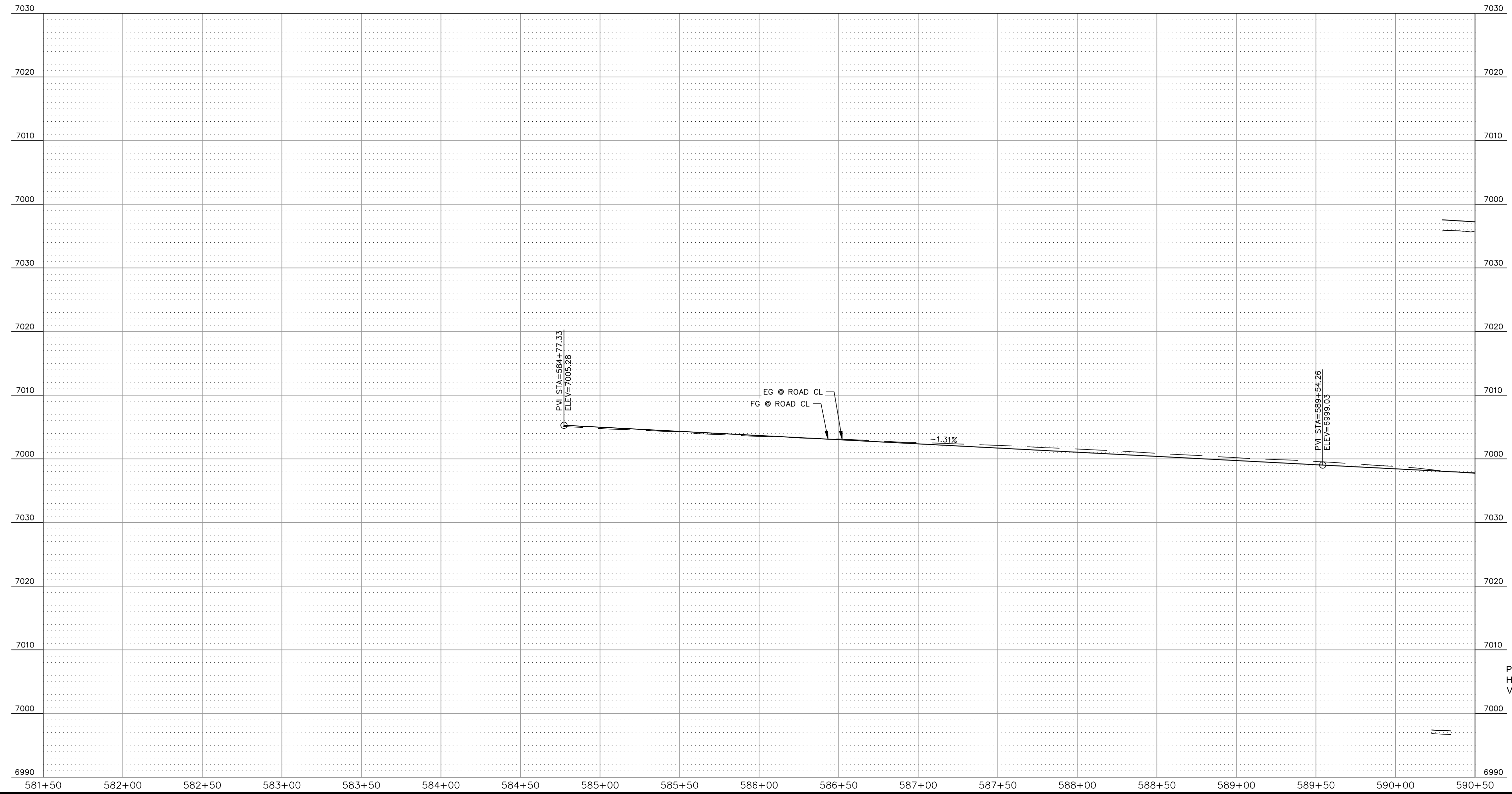
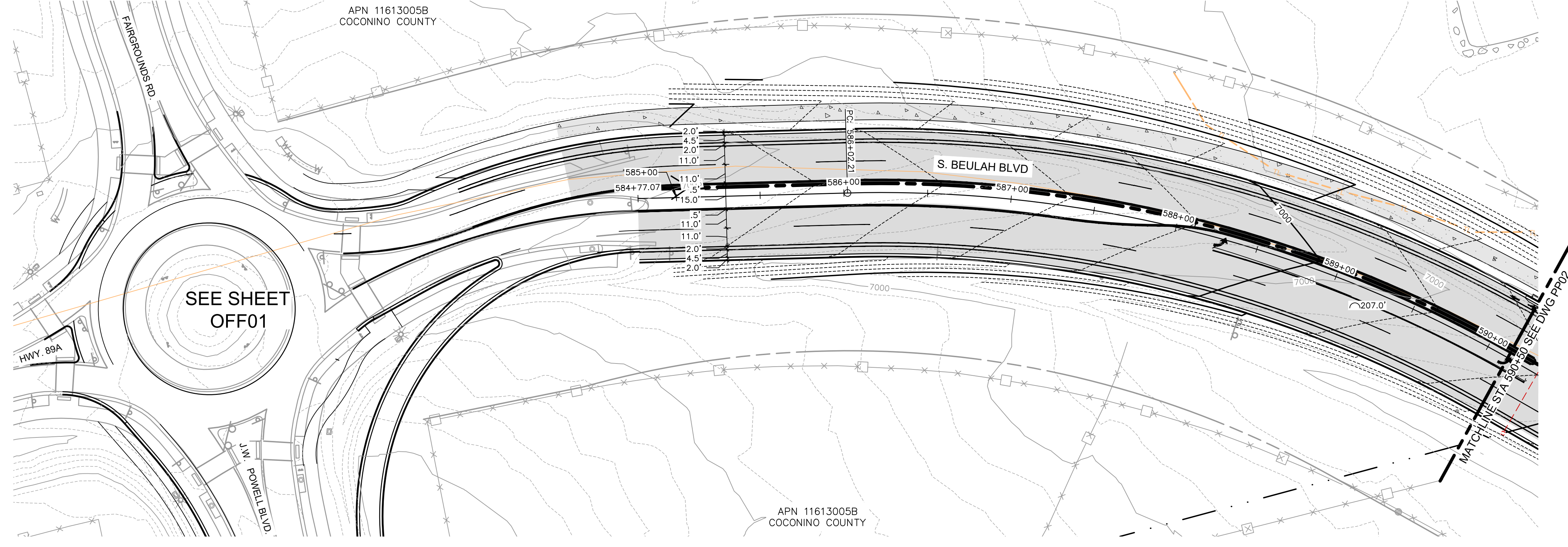


PRELIMINARY
NOT FOR CONSTRUCTION,
BIDDING OR RECORDING

C.O.F. Project # PZ-21-00126

		110 W. Dole Avenue Flagstaff, AZ 86001 928.774.0354 928.774.8934 fax www.swi.az.com		JOB NO: 21045 DATE: MAY 23 SCALE: AS SHOWN DRAWN: JEE DESIGN: CNP CHECKED: GEC		FLAGSTAFF ARIZONA	
REVISIONS		DATE		BY		NAH HEALTH VILLAGE	
NO.	DESCRIPTION					OFFSITES KEY MAP	
Call at least two full working days before you begin excavation.				DRAWING NO.		OK01	
088 8-1-1 or 1-800-514-1111 (722-5348)		SHT NO.		OF		1 OF 11	

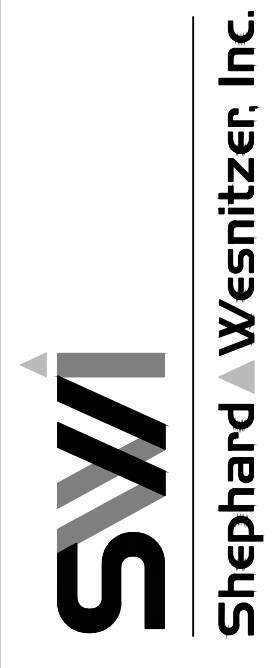


PRELIMINARY
 NOT FOR CONSTRUCTION,
 BIDDING OR RECORDING

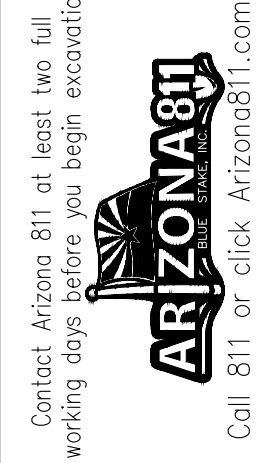
PROFILE SCALE
 H: 1" = 40'
 V: 1" = 10'

JOB NO:	21045
DATE:	MAY 23
SCALE:	AS SHOWN
DRAWN:	JEE
DESIGN:	BHD/SJV/CNP
CHECKED:	CNP/SEC

75 Killion Place
 Sedona, AZ 86336
 Phone: 928.282.1001
 928.282.2058 fax
 www.swi.az.com

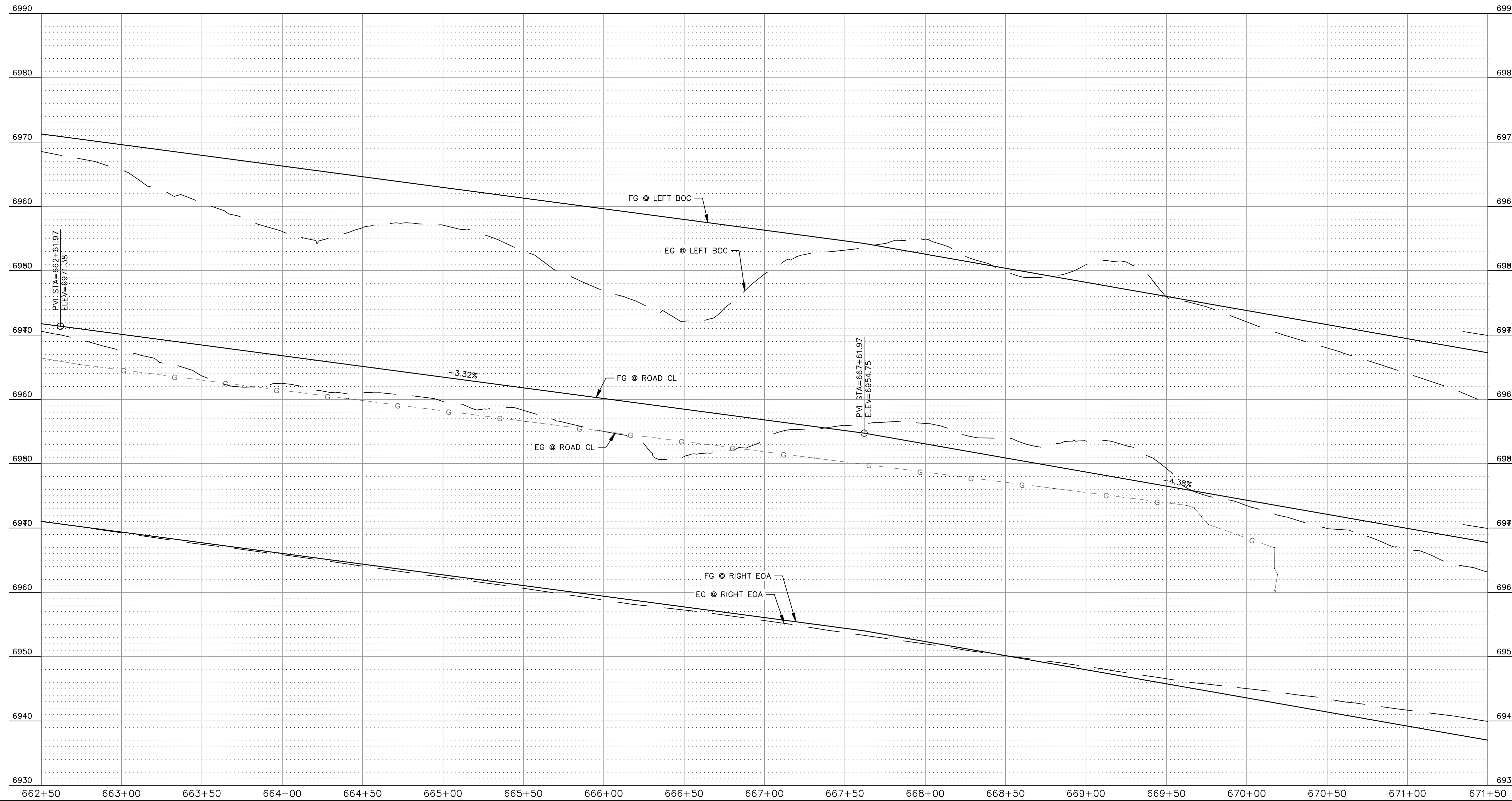
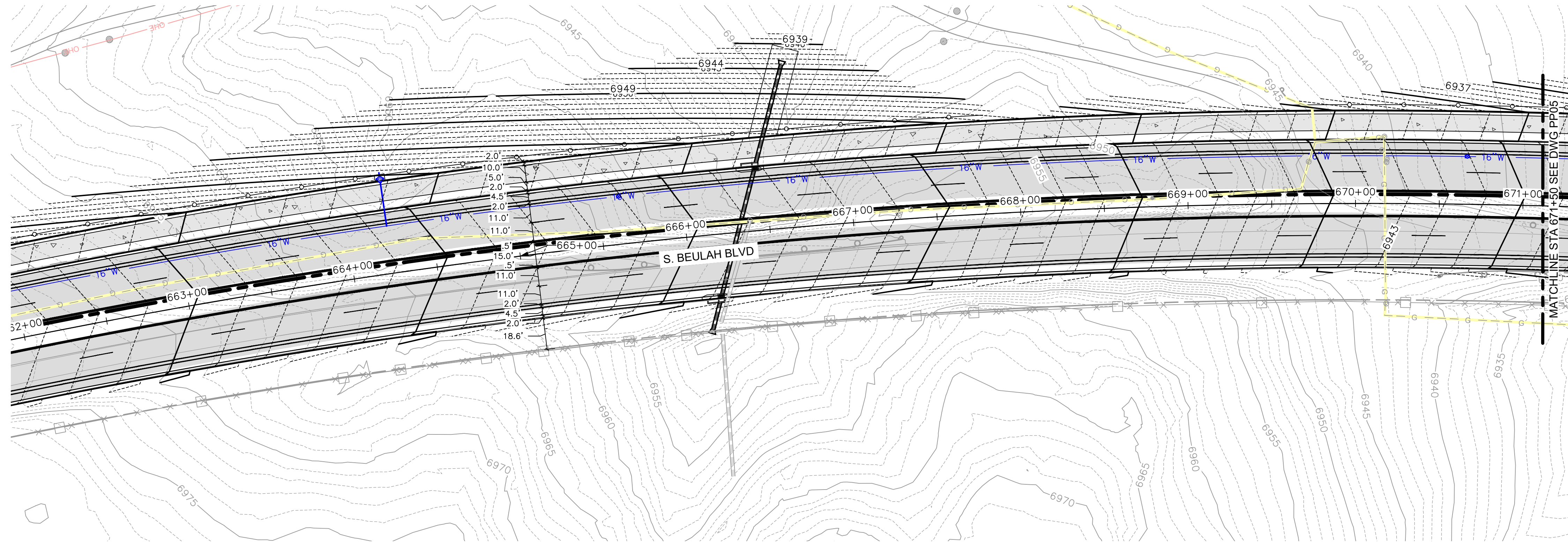


REVISIONS	NO.	DESCRIPTION	DATE	BY



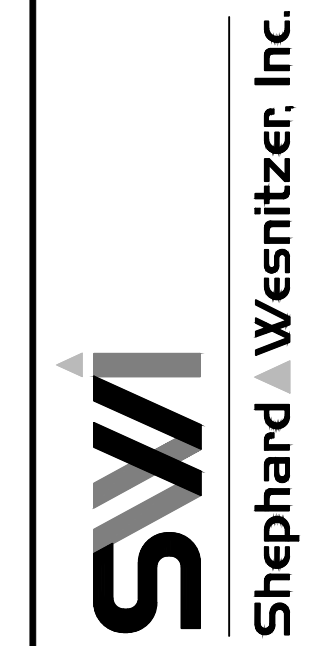
DRAWING NO.	PP01
SHT NO.	2
OF	11

FLAGSTAFF
 ARIZONA
 NAH HEALTH VILLAGE
OFFSITE-IMPROVEMENT PLANS
BEULAH BLVD P&P (1)



JOB NO:	21045
DATE:	MAY 23
SCALE:	AS SHOWN
DRAWN:	JEE
DESIGN:	BHD/SJV/CNP
CHECKED:	CNP/SEC

75 Killion Place
 Scottsdale, AZ 85256
 928.282.2058 fax
 www.swi.az.com

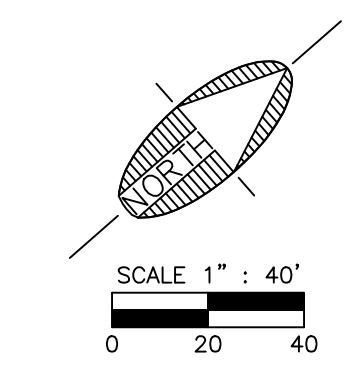


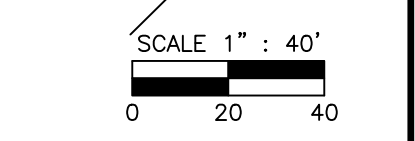
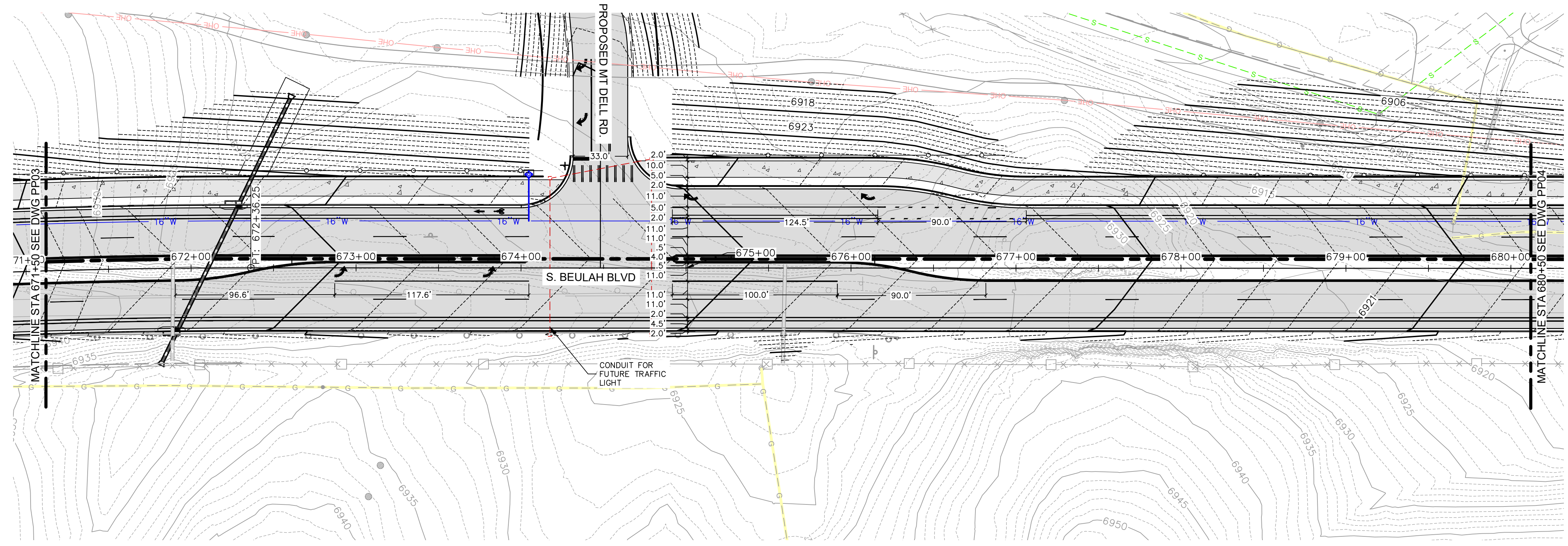
REVISIONS	NO.	DESCRIPTION	DATE	BY

ARIZONA 811
 Call 811 or click Arizona811.com

DRAWING NO.	PP03
SHT NO.	4
OF	11

PRELIMINARY
 NOT FOR CONSTRUCTION,
 BIDDING OR RECORDING

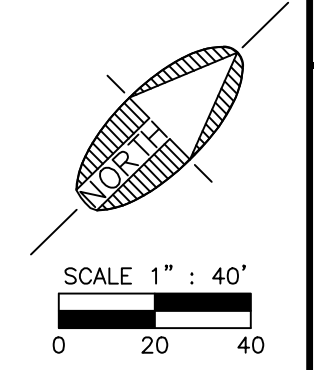
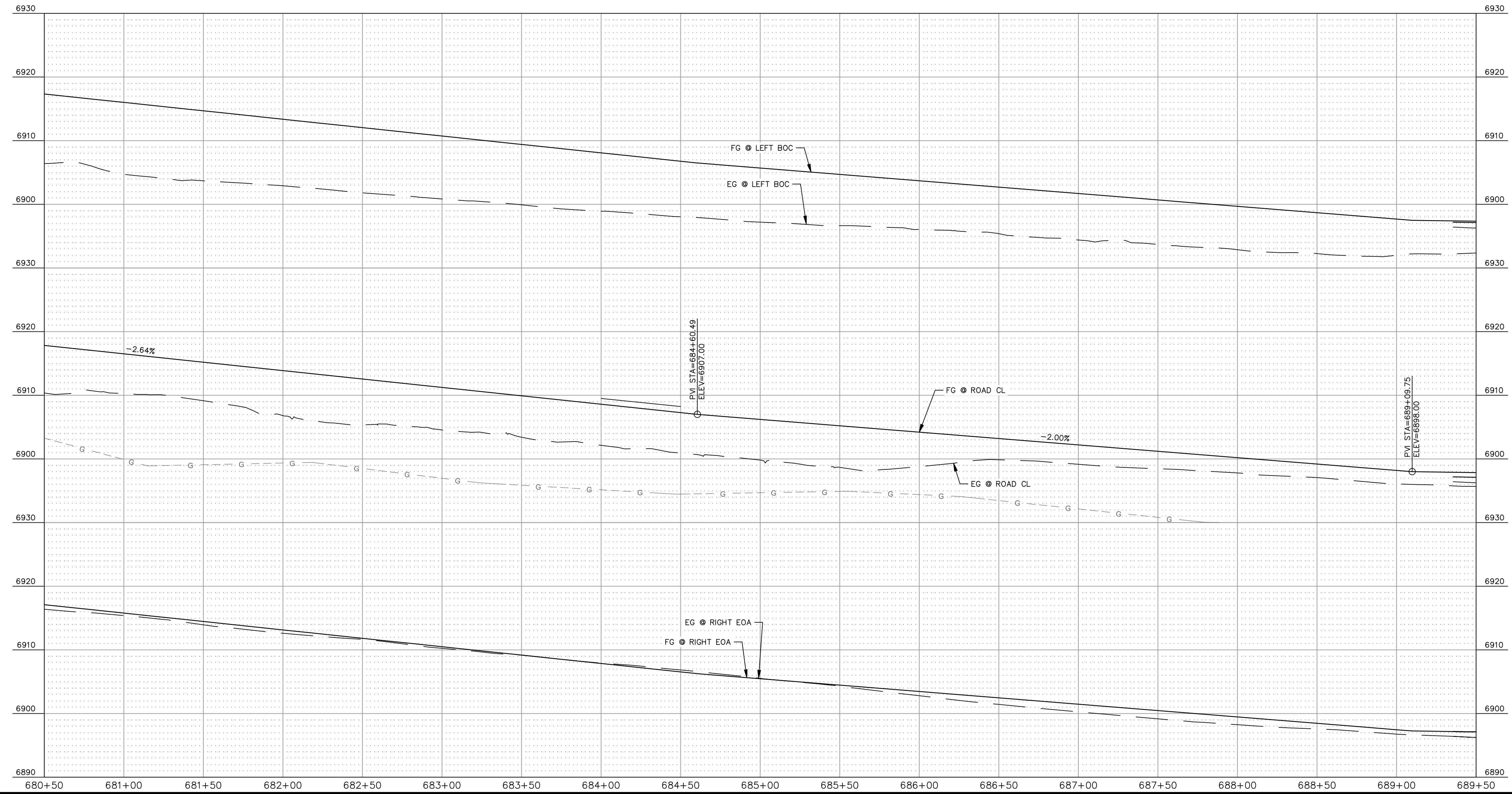
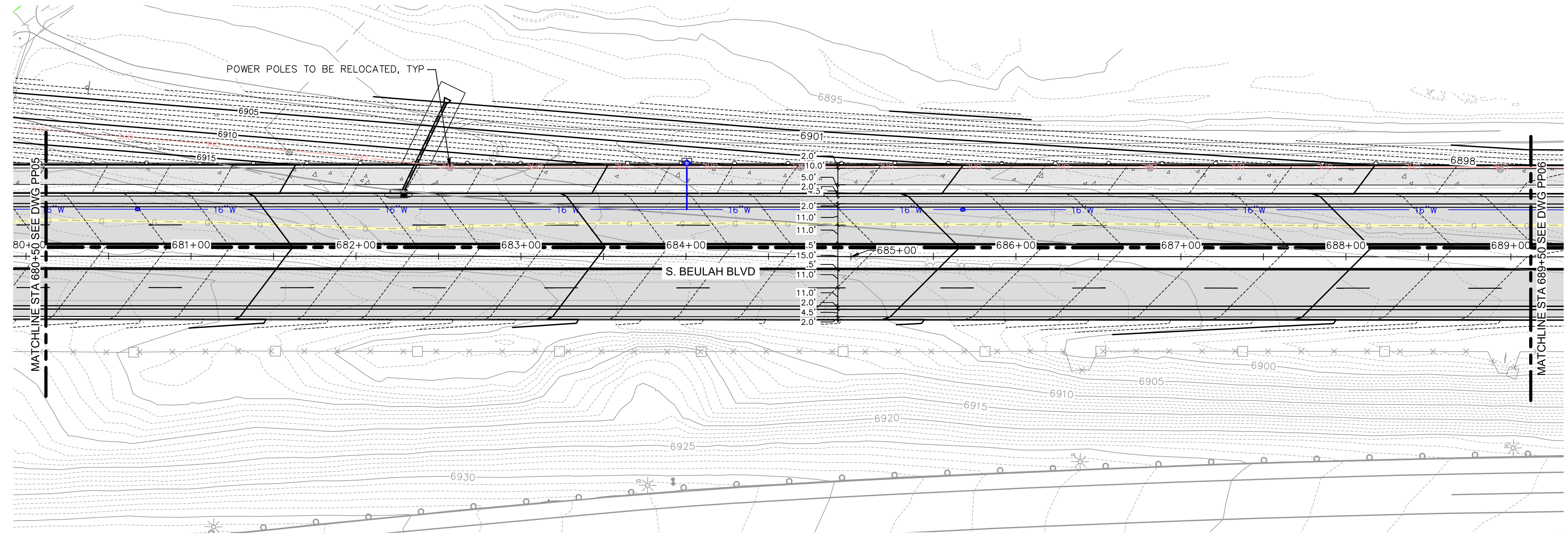




PRELIMINARY
NOT FOR CONSTRUCTION,
BIDDING OR RECORDING

C.O.F. Project # PZ-21-00126

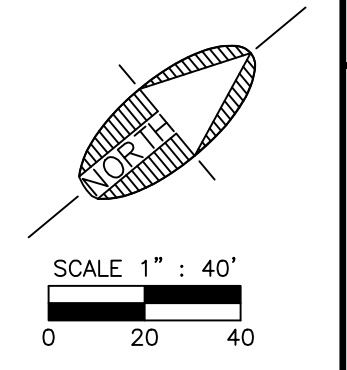
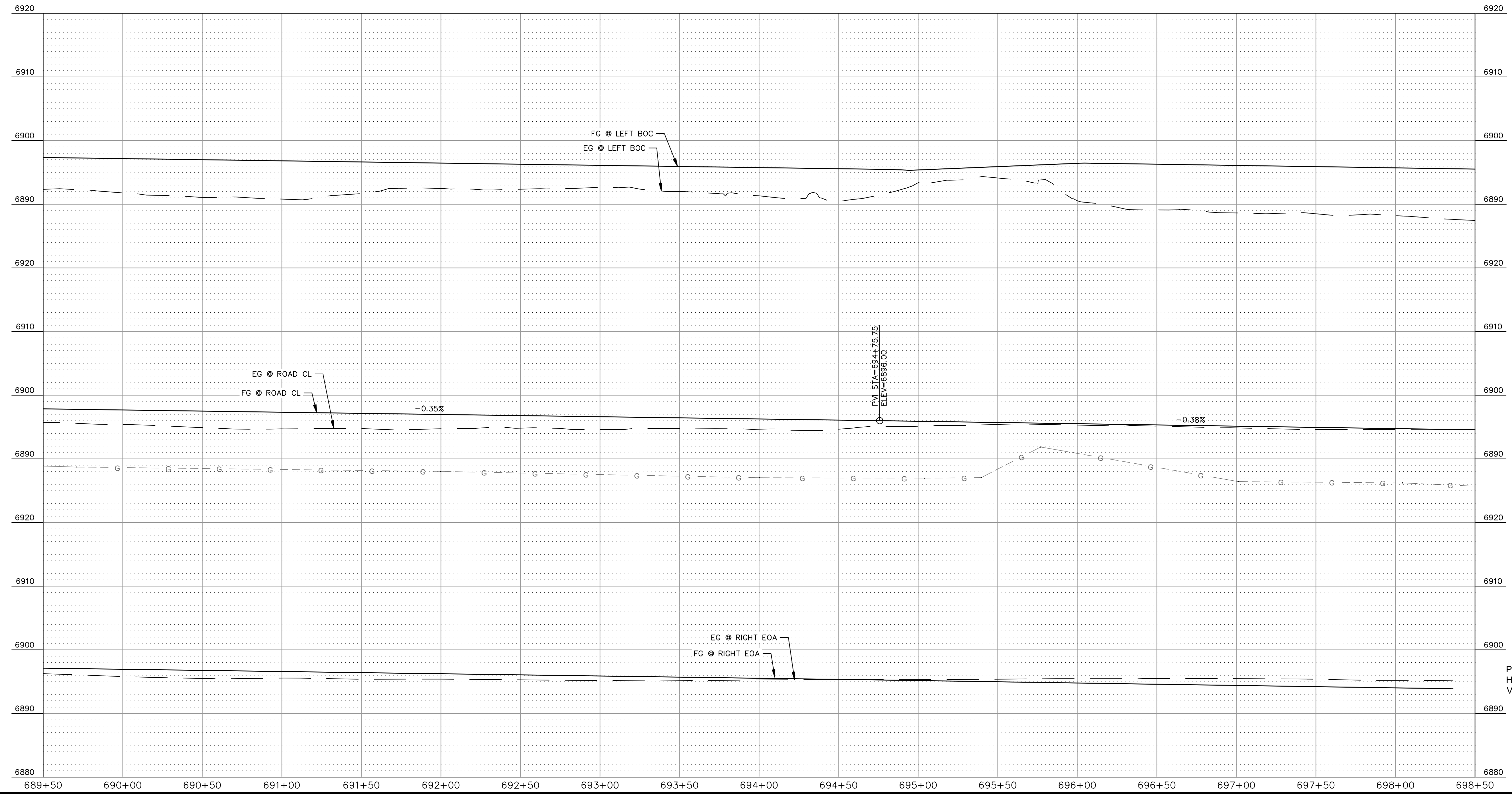
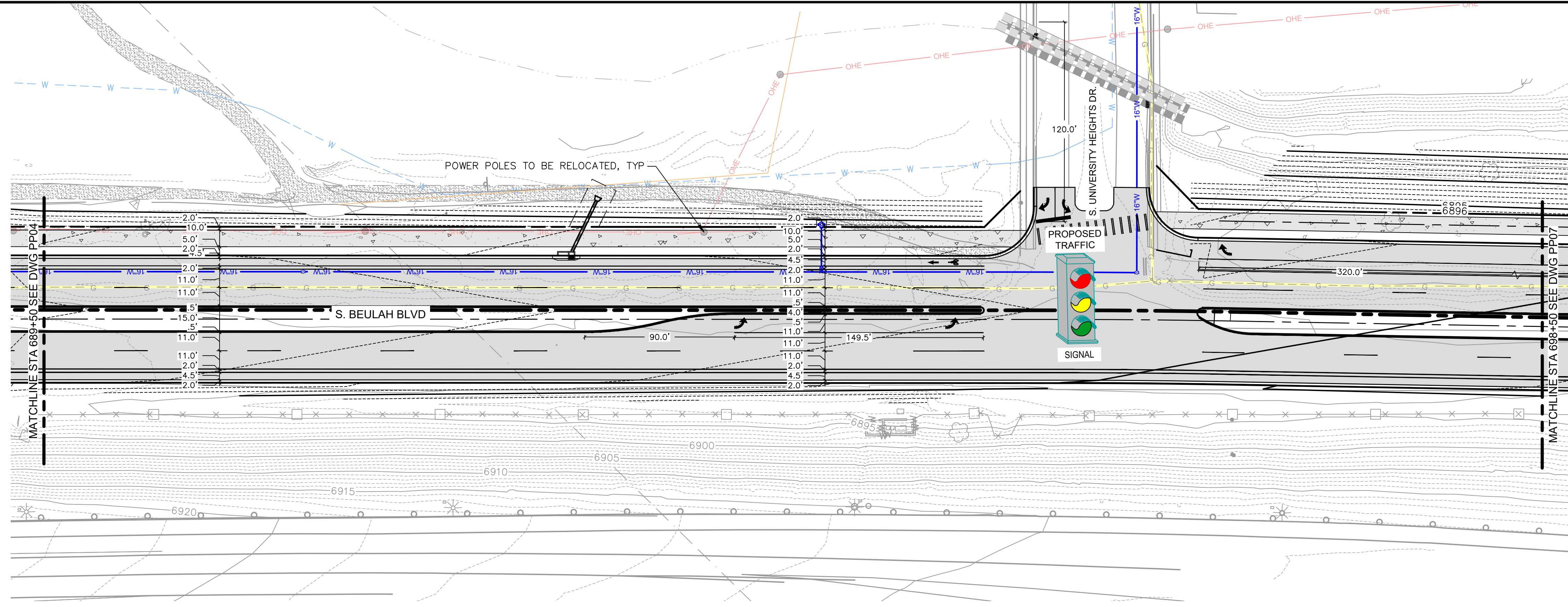
JOB NO: 21045		DATE: MAY 23		SCALE: AS SHOWN		DRAWN: JEE		DESIGN: BHD/SJV/CNP		CHECKED: CNP/SEC	
75 Killion Place Scottsdale, AZ 85266 928.282.2058 www.swi.az.com		NAH HEALTH VILLAGE		OFFSITE-IMPROVEMENT PLANS BEULAH BLVD P&P (4)		FLAGSTAFF ARIZONA		DRAWING NO. PP04		SHT NO. OF 5 OF 11	
 Shephard Wesnitzer, Inc.		REVISIONS		NO.		DESCRIPTION		DATE		BY	



PRELIMINARY
NOT FOR CONSTRUCTION,
BIDDING OR RECORDING

C.O.F. Project # PZ-21-00126


JOB NO: 21045		DATE: MAY 23		SCALE: AS SHOWN		DRAWN: JEE		DESIGN: BHD/SIV/CNP		CHECKED: CNP/SEC	
75 Killion Place Scottsdale, AZ 85266 928.282.2058 fax www.swi.az.com		NAH HEALTH VILLAGE		OFFSITE-IMPROVEMENT PLANS BEULAH BLVD P&P (5)		FLAGSTAFF ARIZONA		DRAWING NO. PP05		SHT NO. OF 6 OF 11	
 Shephard Wesnitzer, Inc.		REVISIONS		NO.		DESCRIPTION		DATE		BY	

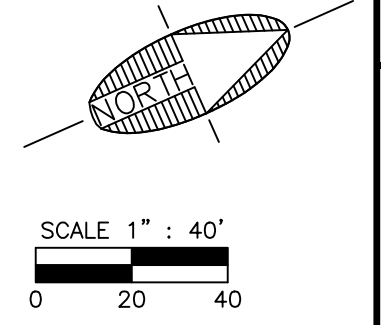
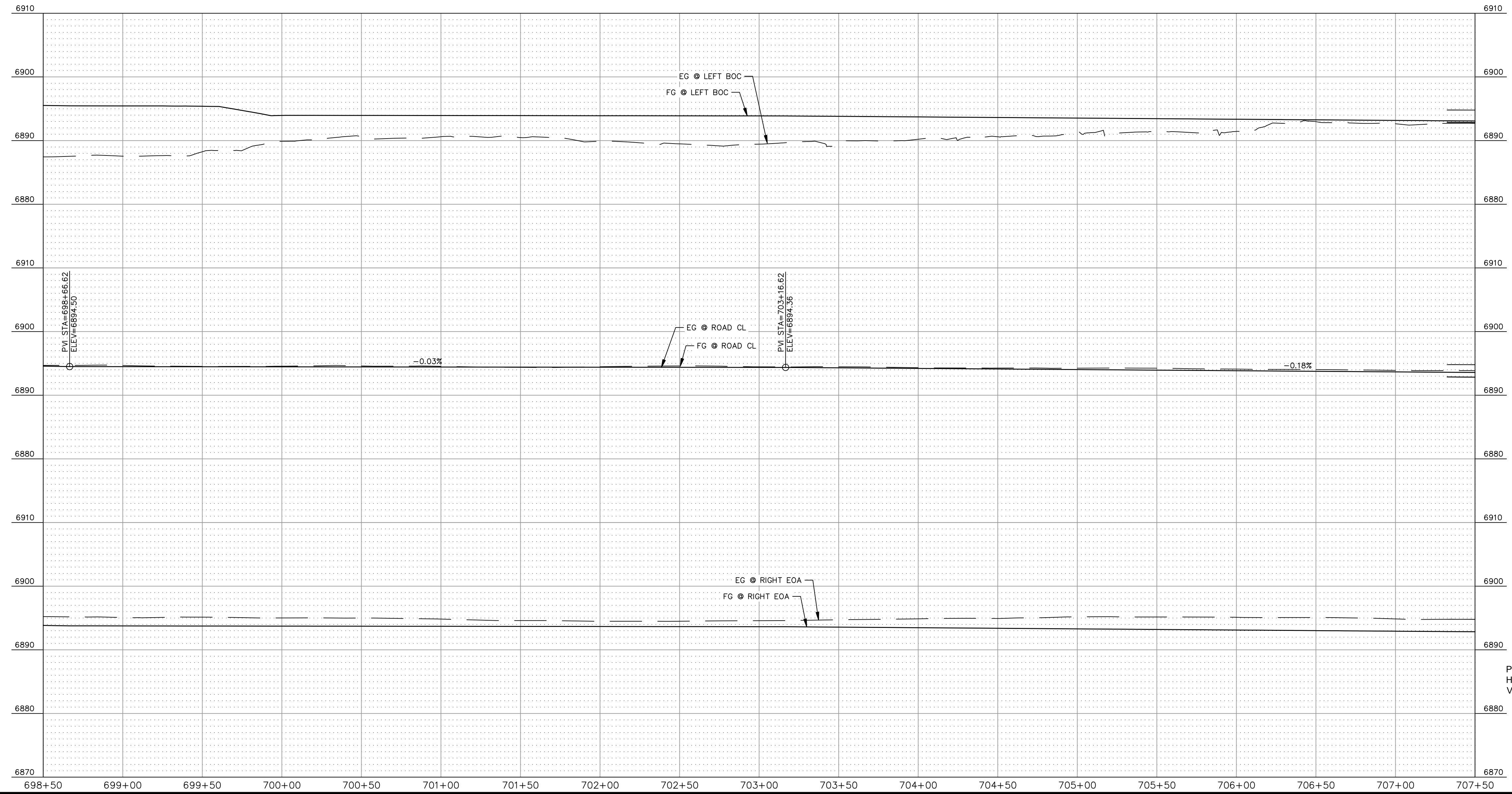
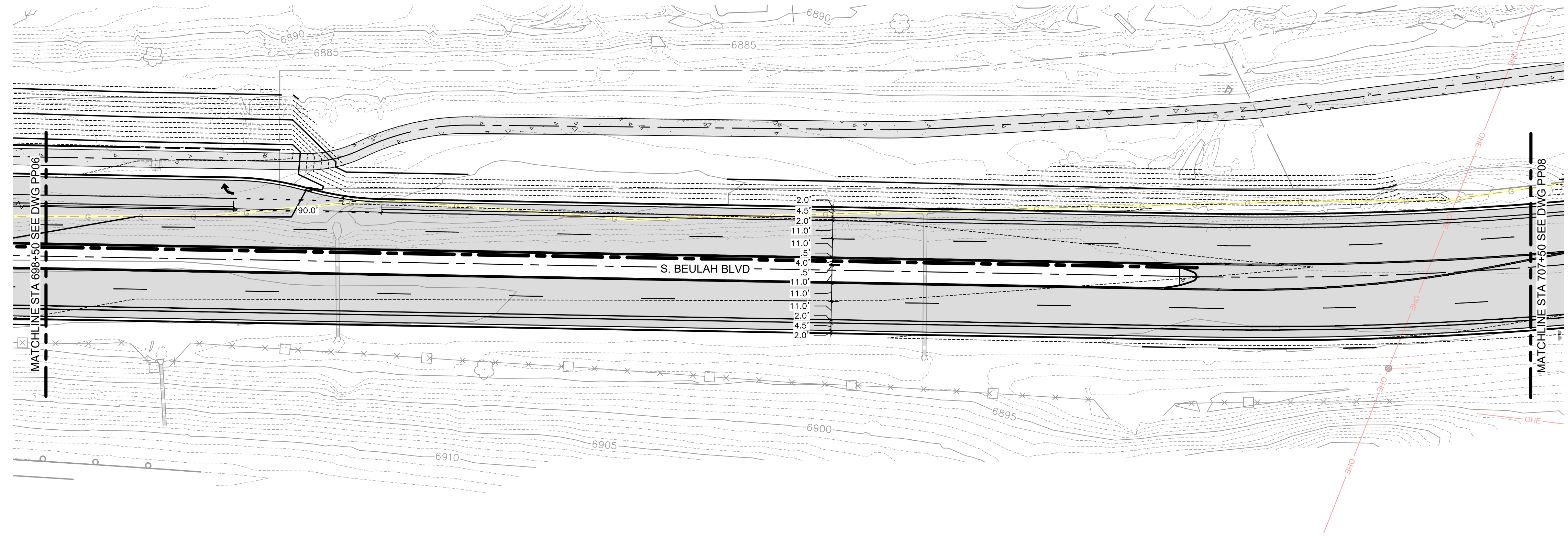


PROFILE SCALE
H: 1" = 40'
V: 1" = 10'

PRELIMINARY
NOT FOR CONSTRUCTION,
BIDDING OR RECORDING

C.O.F. Project # PZ-21-00126

JOB NO: 21045		DATE: MAY 23		SCALE: AS SHOWN		DRAWN: JEE		DESIGN: BHD/SJV/CNP		CHECKED: CNP/SEC	
75 Killion Place Scottsdale, AZ 85266 928.282.2058 fax www.swi.az.com		NAH HEALTH VILLAGE		OFFSITE-IMPROVEMENT PLANS BEULAH BLVD P&P (6)		FLAGSTAFF ARIZONA					
 Shephard Wesnitzer, Inc.		REVISIONS		NO.		DESCRIPTION		DATE		BY	
DRAWING NO. PP06		SHT NO. 7		OF 11							





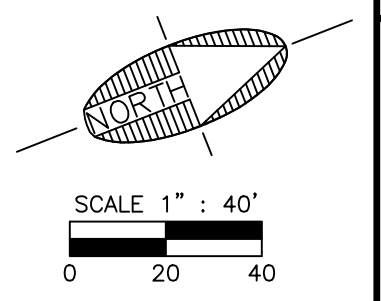
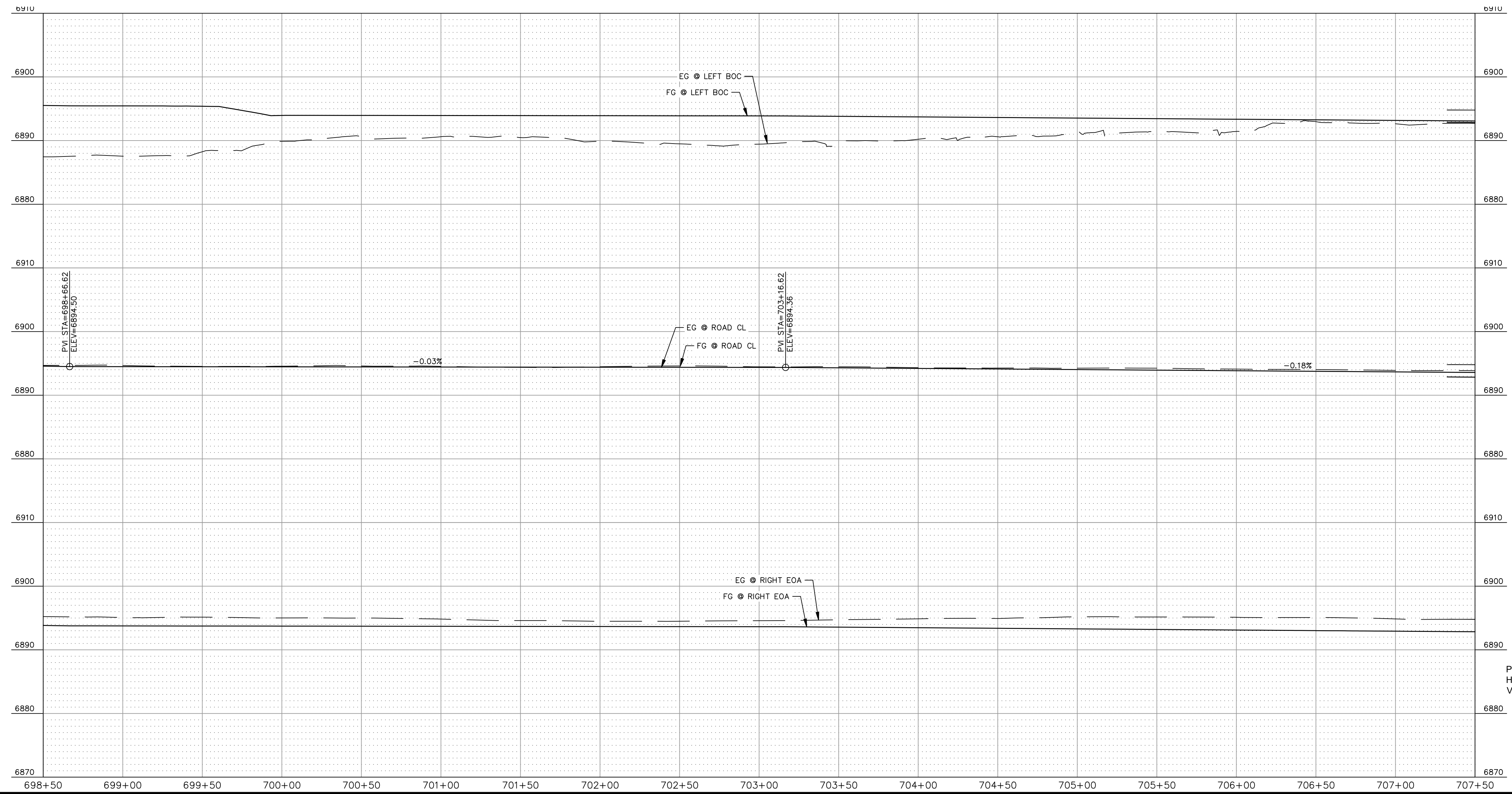
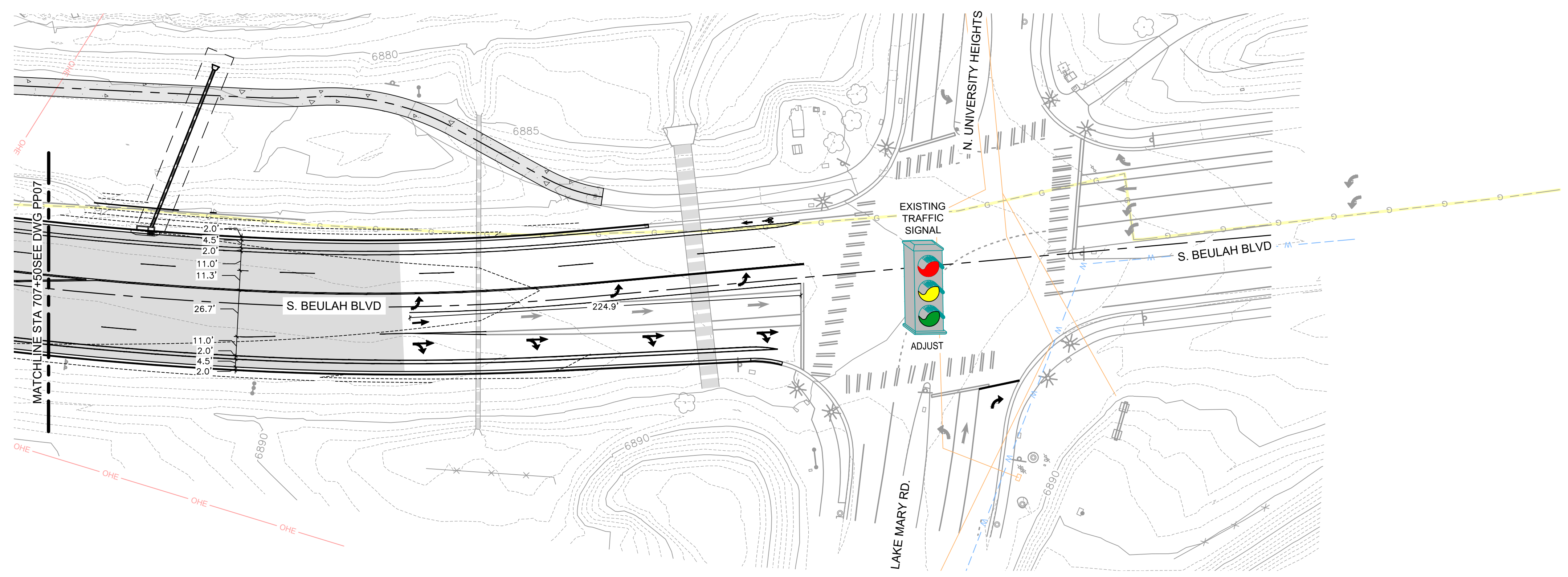
PROFILE SCALE
H: 1" = 40'
V: 1" = 10'

PRELIMINARY

NOT FOR CONSTRUCTION,
BIDDING OR RECORDING

C.O.F. Project # PZ-21-00126


JOB NO: 21045		DATE: MAY 23		SCALE: AS SHOWN		DRAWN: JEE		DESIGN: BHD/SJV/CNP		CHECKED: CNP/SEC	
75 Killion Place Scottsdale, AZ 85260 928.282.2058 fax www.swi.com		NAH HEALTH VILLAGE		OFFSITE-IMPROVEMENT PLANS BEULAH BLVD P&P (7)		FLAGSTAFF ARIZONA					
 Shephard Wesnitzer, Inc.		REVISIONS		BY		DATE					
		DESCRIPTION		NO.							
Contact Arizona 811 at least two full working days before you begin excavation  Call 811 or click Arizona811.com		DRAWING NO.		PP07		SHT NO.		8		OF 11	

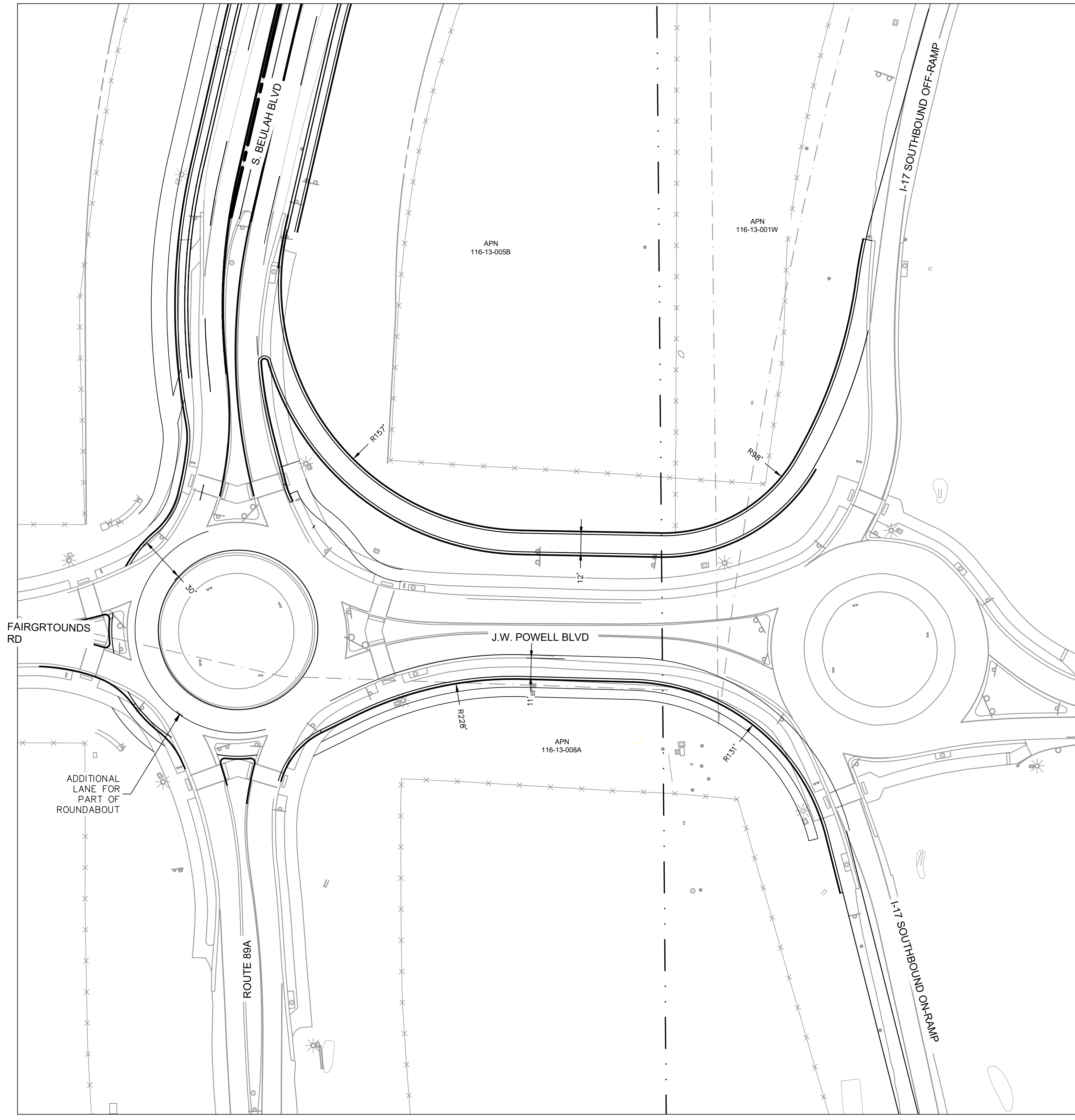


PROFILE SCALE
H: 1" = 40'
V: 1" = 10'

PRELIMINARY
NOT FOR CONSTRUCTION,
BIDDING OR RECORDING

C.O.F. Project # PZ-21-00126

JOB NO: 21045		DATE: MAY 23		SCALE: AS SHOWN		DRAWN: JEE		DESIGN: BHD/SJV/CNP		CHECKED: CNP/SEC	
75 Killion Place Scottsdale, AZ 85266 928.282.2058 fax www.swi@az.com		NAH HEALTH VILLAGE		OFFSITE-IMPROVEMENT PLANS BEULAH BLVD P&P (8)		FLAGSTAFF ARIZONA		DRAWING NO. PP08		SHT NO. OF 9 OF 11	
 Shephard Wesnitze, Inc.		REVISIONS		NO.		DESCRIPTION		DATE		BY	



S BEULAH BLVD & J.W. POWELL BLVD

NOTE
OFFSITE IMPROVEMENTS ARE DRAWN PER THE
RECOMMENDATIONS STATED IN THE "NORTHERN ARIZONA
HEALTHCARE CAMPUS, TRAFFIC IMPACT ANALYSIS, CONFINED
SCOPE 2027 STUDY YEAR" PREPARED MARCH 2023

FLAGSTAFF
ARIZONA
NAH HEALTH VILLAGE

JOB NO:	21045
DATE:	MAY 23
SCALE:	AS SHOWN
DRAWN:	JEE
DESIGN:	CNP
CHECKED:	GEC

110 W. Dole Avenue
Flagstaff, AZ 86001
928.774.8934
928.774.8934 fax
www.ardurra.com

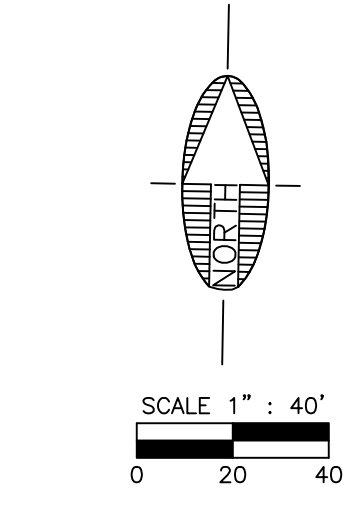


REVISIONS	NO.	DESCRIPTION	DATE	BY

Contact Arizona 811 at least two full working days before you begin excavation
Call 811 or click Arizona811.com

DRAWING NO.
OFF01

SHT NO. OF
10 OF 11



PRELIMINARY
NOT FOR CONSTRUCTION,
BIDDING OR RECORDING

