



Freightliner of Arizona, LLC

9899 W. Roosevelt St.
Tolleson AZ, 85353
Phone: (623) 907-9900

Buyers Order

DE-03643
10/31/2023

Contact: Cory Thompson - Mobile: - Email: cthompson@vvgtruck.com

Bill To: 131045
CITY OF FLAGSTAFF
3200 W RT 66 BUILDING#2
FLAGSTAFF AZ 86001
Phone: (928) 779-7626 FAX: (928) 779-7656
gconlin@flagstaffaz.gov

Ship To:
CITY OF FLAGSTAFF
3200 W RT 66 BUILDING#2
FLAGSTAFF AZ 86001

Stock#:	New 2024 FREIGHTLINER M2106	Price:	\$279,655.00
VIN: TBD		Unit Price:	\$279,655.00
		Total	\$279,655.00
		State Sales Tax	\$23,236.37
		Total Vehicle Sale Price	\$302,891.37
		Total Deposit :	
		Net Total	\$302,891.37

Lienholder: None.

- C/O STATE CONTRACT #CTR041810
- QUOTE INCLUDES NEW WAY KING COBRA 25YD REL INSTALL
- FET TIRE CREDIT OF \$378

*** PRICING IS SUBJECT TO CHANGE DUE TO SUPPLY CHAIN AND PRODUCTION ISSUES. ***

Legal title to the described vehicle(s) does not pass to purchaser until such time as title to any trade-in is proven to the satisfaction of FREIGHTLINER OF ARIZONA LLC to be unencumbered and purchaser's check or draft, if any, has been verified and cleared. This is to certify that this is a true and correct Bill of Sale.

Dealer: Freightliner of Arizona, LLC
(Printed)

Customer: CITY OF FLAGSTAFF
(Printed)

By: _____
(Signature)

By: _____
(Signature)

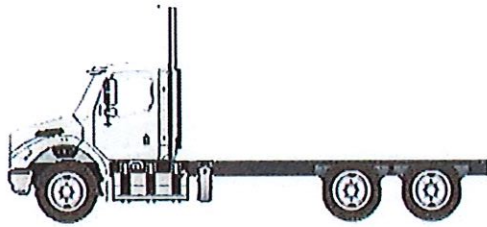
Date

Date

SWORN to and SUBSCRIBED before me this _____ day of _____, _____. Notary Public: _____

A proposal for
SCRANTON MFG CO INC BB

Freightliner M2 106



Components shown may not reflect all spec'd options and are not to scale

S P E C I F I C A T I O N P R O P O S A L

Description	Weight Front	Weight Rear	Retail Price
Price Level			
M2 PRL-27M (EFF:MY24 ORDERS)			STD
Data Version			
SPECPRO21 DATA RELEASE VER 009			N/C
Vehicle Configuration			
M2 106 CONVENTIONAL CHASSIS	5,709	3,450	\$105,355.00
2024 MODEL YEAR SPECIFIED			STD
SET BACK AXLE - TRUCK			STD
STRAIGHT TRUCK PROVISION			STD
LH PRIMARY STEERING LOCATION			STD
General Service			
TRUCK CONFIGURATION			STD
DOMICILED, USA (EXCLUDING CALIFORNIA AND CARB OPT-IN STATES)			N/C
REFUSE SERVICE			N/C
SANITATION BUSINESS SEGMENT			N/C
DRY BULK COMMODITY			N/C
TERRAIN/DUTY: 100% (ALL) OF THE TIME, IN TRANSIT, IS SPENT ON PAVED ROADS			STD
MAXIMUM 8% EXPECTED GRADE			STD
SMOOTH CONCRETE OR ASPHALT PAVEMENT - MOST SEVERE IN-TRANSIT (BETWEEN SITES) ROAD SURFACE			STD
MEDIUM TRUCK WARRANTY			STD
EXPECTED FRONT AXLE(S) LOAD : 16000.0 lbs			
EXPECTED REAR DRIVE AXLE(S) LOAD : 40000.0 lbs			
EXPECTED GROSS VEHICLE WEIGHT CAPACITY : 56000.0 lbs			
Truck Service			
REFUSE, SIDE LOAD OR REAR PACKER BODY - DOES NOT UNLOAD IN A LANDFILL			N/C
EXPECTED TRUCK BODY LENGTH : 0.0 ft			
SCRANTON MANUFACTURING/NEW WAY			N/C
EXPECTED BODY/PAYLOAD CG HEIGHT ABOVE FRAME "XX" INCHES : 32.0 in			
Engine			

Description	Weight Front	Weight Rear	Retail Price
CUM L9 350 HP @ 2200 RPM, 2200 GOV RPM, 1050 LB-FT @ 1200 RPM, REFUSE	640	30	\$13,596.00

Electronic Parameters

75 MPH ROAD SPEED LIMIT			N/C
CRUISE CONTROL SPEED LIMIT SAME AS ROAD SPEED LIMIT			N/C
PTO MODE ENGINE RPM LIMIT - 1100 RPM			N/C
PTO MODE BRAKE OVERRIDE - SERVICE BRAKE APPLIED			N/C
PTO RPM WITH CRUISE SET SWITCH - 700 RPM			N/C
PTO RPM WITH CRUISE RESUME SWITCH - 700 RPM			N/C
PTO MODE CANCEL VEHICLE SPEED - 5 MPH			N/C
PTO GOVERNOR RAMP RATE - 250 RPM PER SECOND			N/C
PTO MINIMUM RPM - 700			N/C
REGEN INHIBIT SPEED THRESHOLD - 0 MPH			N/C

Engine Equipment

2010 EPA/CARB/GHG21 CONFIGURATION			STD
NO 2008 CARB EMISSION CERTIFICATION			N/C
STANDARD OIL PAN			STD
ENGINE MOUNTED OIL CHECK AND FILL			STD
SIDE OF HOOD AIR INTAKE WITH FIREWALL MOUNTED DONALDSON AIR CLEANER			STD
DR 12V 160 AMP 28-SI QUADRAMOUNT PAD ALTERNATOR WITH REMOTE BATTERY VOLT SENSE			STD
(2) DTNA GENUINE, FLOODED STARTING, MIN 2000CCA, 370RC, THREADED STUD BATTERIES	10		\$13.00
BATTERY BOX FRAME MOUNTED			STD
STANDARD BATTERY JUMPERS			STD
SINGLE BATTERY BOX FRAME MOUNTED LH SIDE UNDER CAB			STD
WIRE GROUND RETURN FOR BATTERY CABLES WITH ADDITIONAL FRAME GROUND RETURN			STD
NON-POLISHED BATTERY BOX COVER			STD
CAB AUXILIARY POWER CABLE	5		N/C
POSITIVE LOAD DISCONNECT WITH CAB MOUNTED CONTROL SWITCH MOUNTED OUTBOARD DRIVER SEAT	2		\$206.00
CUMMINS TURBOCHARGED 18.7 CFM AIR COMPRESSOR WITH INTERNAL SAFETY VALVE			STD
STANDARD MECHANICAL AIR COMPRESSOR GOVERNOR			STD
AIR COMPRESSOR DISCHARGE LINE			STD
ELECTRONIC ENGINE INTEGRAL SHUTDOWN PROTECTION SYSTEM			STD
CUMMINS ENGINE INTEGRAL BRAKE WITH VARIABLE GEOMETRY TURBO ON/OFF	20		N/C

Description	Weight Front	Weight Rear	Retail Price
RH OUTBOARD UNDER STEP MOUNTED HORIZONTAL AFTERTREATMENT SYSTEM ASSEMBLY WITH RH B-PILLAR MOUNTED VERTICAL TAILPIPE	30	25	\$823.00
ENGINE AFTERTREATMENT DEVICE, AUTOMATIC OVER THE ROAD REGENERATION AND DASH MOUNTED REGENERATION REQUEST SWITCH			STD
11 FOOT 06 INCH (138 INCH+0/-5.9 INCH) EXHAUST SYSTEM HEIGHT			N/C
RH CURVED VERTICAL TAILPIPE B-PILLAR MOUNTED ROUTED FROM STEP			N/C
6 GALLON DIESEL EXHAUST FLUID TANK			STD
100 PERCENT DIESEL EXHAUST FLUID FILL			STD
LH MEDIUM DUTY STANDARD DIESEL EXHAUST FLUID TANK LOCATION			STD
STANDARD DIESEL EXHAUST FLUID PUMP MOUNTING			STD
STANDARD DIESEL EXHAUST FLUID TANK CAP			STD
STAINLESS STEEL AFTERTREATMENT DEVICE/MUFFLER/TAILPIPE SHIELD			\$48.00
AIR POWERED ON/OFF ENGINE FAN CLUTCH			STD
AUTOMATIC FAN CONTROL WITHOUT DASH SWITCH, NON ENGINE MOUNTED			STD
CUMMINS SPIN ON FUEL FILTER			STD
COMBINATION FULL FLOW/BYPASS OIL FILTER			N/C
1100 SQUARE INCH ALUMINUM RADIATOR	70		N/C
ANTIFREEZE TO -60F, ETHYLENE GLYCOL PRE-CHARGED SCA HEAVY DUTY COOLANT			\$10.00
GATES BLUE STRIPE COOLANT HOSES OR EQUIVALENT			STD
CONSTANT TENSION HOSE CLAMPS FOR COOLANT HOSES			STD
RADIATOR DRAIN VALVE			STD
LOWER RADIATOR GUARD			STD
PHILLIPS-TEMRO 1000 WATT/115 VOLT BLOCK HEATER	4		\$92.00
CHROME ENGINE HEATER RECEPTACLE MOUNTED UNDER LH DOOR			\$6.00
ALUMINUM FLYWHEEL HOUSING			STD
ELECTRIC GRID AIR INTAKE WARMER			STD
DELCO 12V 38MT HD STARTER WITH INTEGRATED MAGNETIC SWITCH			N/C

Transmission

ALLISON 3000 RDS AUTOMATIC TRANSMISSION WITH PTO PROVISION	200	60	\$6,785.00
--	-----	----	------------

Transmission Equipment

ALLISON VOCATIONAL PACKAGE 168 - AVAILABLE ON 3000/4000 PRODUCT FAMILIES WITH VOCATIONAL MODEL RDS			N/C
--	--	--	-----

Description	Weight Front	Weight Rear	Retail Price
ALLISON VOCATIONAL RATING FOR REFUSE APPLICATIONS AVAILABLE WITH ALL PRODUCT FAMILIES			N/C
PRIMARY MODE GEARS, LOWEST GEAR 1, START GEAR 1, HIGHEST GEAR 6, AVAILABLE FOR 3000/4000 PRODUCT FAMILIES ONLY			N/C
SECONDARY MODE GEARS, LOWEST GEAR 1, START GEAR 1, HIGHEST GEAR 6, AVAILABLE FOR 3000/4000 PRODUCT FAMILIES ONLY			N/C
S5 PERFORMANCE LIMITING PRIMARY SHIFT SCHEDULE, AVAILABLE FOR 3000/4000 PRODUCT FAMILIES ONLY			N/C
S5 PERFORMANCE LIMITING SECONDARY SHIFT SCHEDULE, AVAILABLE FOR 3000/4000 PRODUCT FAMILIES ONLY			N/C
2200 RPM PRIMARY MODE SHIFT SPEED			N/C
2200 RPM SECONDARY MODE SHIFT SPEED			N/C
ENGINE BRAKE RANGE PRESELECT RECOMMENDED BY DTNA AND ALLISON, THIS DEFINED BY ENGINE AND VOCATIONAL USAGE			STD
ENGINE BRAKE RANGE ALTERNATE PRESELECT RECOMMENDED BY DTNA AND ALLISON, THIS DEFINED BY ENGINE AND VOCATIONAL USAGE			STD
FUEL SENSE 2.0 DISABLED - PERFORMANCE - TABLE BASED			STD
DRIVER SWITCH INPUT - DEFAULT - NO SWITCHES			STD
VEHICLE INTERFACE WIRING CONNECTOR WITH PDM AND NO BLUNT CUTS, AT BACK OF CAB			\$574.00
ELECTRONIC TRANSMISSION CUSTOMER ACCESS CONNECTOR FIREWALL MOUNTED			\$23.00
CUSTOMER INSTALLED CHELSEA 280 SERIES PTO			N/C
PTO MOUNTING, RH SIDE OF MAIN TRANSMISSION ALLISON & EATON FULLER			N/C
MAGNETIC PLUGS, ENGINE DRAIN, TRANSMISSION DRAIN, AXLE(S) FILL AND DRAIN			STD
PUSH BUTTON ELECTRONIC SHIFT CONTROL, DASH MOUNTED			N/C
TRANSMISSION PROGNOSTICS - ENABLED 2013			N/C
WATER TO OIL TRANSMISSION COOLER, IN RADIATOR END TANK			STD
TRANSMISSION OIL CHECK AND FILL WITH ELECTRONIC OIL LEVEL CHECK			N/C
SYNTHETIC TRANSMISSION FLUID (TES-295 COMPLIANT)			STD

Front Axle and Equipment

DETROIT DA-F-18.0-5 18,000# FL1 71.0 KPI/3.74 DROP SINGLE FRONT AXLE	210	\$2,220.00
--	-----	------------

Description	Weight Front	Weight Rear	Retail Price
MERITOR 16.5X6 Q+ CAST SPIDER CAM FRONT BRAKES, DOUBLE ANCHOR, FABRICATED SHOES	10		N/C
NON-ASBESTOS FRONT BRAKE LINING			STD
CONMET CAST IRON FRONT BRAKE DRUMS			\$8.00
FRONT BRAKE DUST SHIELDS	5		\$102.00
FRONT OIL SEALS			STD
VENTED FRONT HUB CAPS WITH WINDOW, CENTER AND SIDE PLUGS - OIL			STD
STANDARD SPINDLE NUTS FOR ALL AXLES			STD
MERITOR AUTOMATIC FRONT SLACK ADJUSTERS			STD
TRW TAS-85 POWER STEERING	40		N/C
POWER STEERING PUMP			STD
2 QUART SEE THROUGH POWER STEERING RESERVOIR			STD
OIL/AIR POWER STEERING COOLER	5		\$347.00
MINERAL SAE 80/90 FRONT AXLE LUBE			STD
Front Suspension			
18,000# TAPERLEAF FRONT SUSPENSION	200		\$1,428.00
GRAPHITE BRONZE BUSHINGS WITH SEALS - FRONT SUSPENSION			(\$471.00)
FRONT SHOCK ABSORBERS			STD
Rear Axle and Equipment			
RT-46-160P 46,000# R-SERIES TANDEM REAR AXLE		2,990	\$14,193.00
5.63 REAR AXLE RATIO			N/C
IRON REAR AXLE CARRIER WITH STANDARD AXLE HOUSING			STD
MXL 17T MERITOR EXTENDED LUBE MAIN DRIVELINE WITH HALF ROUND YOKES	20	20	\$499.00
MXL 17T MERITOR EXTENDED LUBE INTERAXLE DRIVELINE WITH HALF ROUND YOKES			N/C
DRIVER CONTROLLED TRACTION DIFFERENTIAL - BOTH TANDEM REAR AXLES		30	\$1,317.00
(1) INTERAXLE LOCK VALVE, (1) DRIVER CONTROLLED DIFFERENTIAL LOCK FORWARD-REAR AND REAR-REAR AXLE VALVE			N/C
BLINKING LAMP WITH EACH INTERAXLE LOCK SWITCH, INTERAXLE UNLOCK DEFAULT WITH IGNITION OFF			N/C
BLINKING LAMP WITH EACH MODE SWITCH, DIFFERENTIAL UNLOCK WITH IGNITION OFF, ACTIVE <5 MPH			N/C
MERITOR 16.5X7 Q+ CAST SPIDER CAM REAR BRAKES, DOUBLE ANCHOR, FABRICATED SHOES			STD
NON-ASBESTOS REAR BRAKE LINING			STD
BRAKE CAMS AND CHAMBERS ON FORWARD SIDE OF DRIVE AXLE(S)			N/C

Description	Weight Front	Weight Rear	Retail Price
CONMET CAST IRON REAR BRAKE DRUMS			\$87.00
REAR BRAKE DUST SHIELDS		10	\$130.00
REAR OIL SEALS			STD
WABCO TRISTOP-D LONGSTROKE 30/36 2-DRIVE AXLE SPRING PARKING CHAMBERS		20	\$109.00
HALDEX AUTOMATIC REAR SLACK ADJUSTERS			\$92.00
MINERAL SAE 80/90 REAR AXLE LUBE			(\$197.00)
Rear Suspension			
TUFTRAC GEN2 46,000# REAR SPRING SUSPENSION		820	\$4,143.00
9.5 INCH NOMINAL RIDE HEIGHT (460MM GLOBAL REFERENCE HEIGHT)			N/C
AXLE CLAMPING GROUP			N/C
55 INCH AXLE SPACING			N/C
FORE/AFT AND TRANSVERSE CONTROL RODS			N/C
REAR SHOCK ABSORBERS - TWO AXLES (TANDEM)		40	\$184.00
Brake System			
AIR BRAKE PACKAGE			STD
WABCO 4S/4M ABS			N/C
REINFORCED NYLON, FABRIC BRAID AND WIRE BRAID CHASSIS AIR LINES			STD
FIBER BRAID PARKING BRAKE HOSE			STD
STANDARD BRAKE SYSTEM VALVES			STD
STANDARD AIR SYSTEM PRESSURE PROTECTION SYSTEM			STD
STD U.S. FRONT BRAKE VALVE			STD
RELAY VALVE WITH 5-8 PSI CRACK PRESSURE, NO REAR PROPORTIONING VALVE			STD
BW AD-9 BRAKE LINE AIR DRYER WITH HEATER	20		N/C
AIR DRYER MOUNTED INBOARD ON LH RAIL			N/C
STEEL AIR BRAKE RESERVOIRS			STD
PULL CABLE ON WET TANK, PETCOCK DRAIN VALVES ON ALL OTHER AIR TANKS			STD
Trailer Connections			
UPGRADED CHASSIS MULTIPLEXING UNIT			N/C
UPGRADED BULKHEAD MULTIPLEXING UNIT			N/C
Wheelbase & Frame			
5750MM (226 INCH) WHEELBASE			N/C
7/16X3-9/16X11-1/8 INCH STEEL FRAME (11.11MMX282.6MM/0.437X11.13 INCH) 120KSI	370	290	\$1,544.00
2450MM (96 INCH) REAR FRAME OVERHANG			N/C
FRAME OVERHANG RANGE: 91 INCH TO 100 INCH	-50	210	N/C
CALC'D BACK OF CAB TO REAR SUSP C/L (CA) : 160.83 in			

Description	Weight Front	Weight Rear	Retail Price
CALCULATED EFFECTIVE BACK OF CAB TO REAR SUSPENSION C/L (CA) : 157.83 in			
CALC'D FRAME LENGTH - OVERALL : 352.27 in			
CALCULATED FRAME SPACE LH SIDE : 79.18 in			N/C
CALCULATED FRAME SPACE RH SIDE : 71.13 in			N/C
SQUARE END OF FRAME			STD
FRONT CLOSING CROSSMEMBER			STD
LIGHTWEIGHT HEAVY DUTY ALUMINUM ENGINE CROSSMEMBER	-12		\$48.00
STANDARD CROSSMEMBER BACK OF TRANSMISSION			STD
STANDARD MIDSHIP #1 CROSSMEMBER(S)			STD
STANDARD REAR MOST CROSSMEMBER			STD
HEAVY DUTY SUSPENSION CROSSMEMBER		30	N/C
Chassis Equipment			
THREE-PIECE 14 INCH CHROMED STEEL BUMPER WITH COLLAPSIBLE ENDS	30		\$370.00
FRONT TOW HOOKS - FRAME MOUNTED	15		\$74.00
BUMPER MOUNTING FOR SINGLE LICENSE PLATE			N/C
FENDER AND FRONT OF HOOD MOUNTED FRONT MUDFLAPS			STD
GRADE 8 THREADED HEX HEADED FRAME FASTENERS			STD
CLEAR FRAME RAILS FROM BACK OF CAB TO FRONT REAR SUSPENSION BRACKET, BOTH RAILS OUTBOARD			\$218.00
Fuel Tanks			
80 GALLON/302 LITER RECTANGULAR ALUMINUM FUEL TANK - LH	40	10	\$183.00
RECTANGULAR FUEL TANK(S)			STD
PLAIN ALUMINUM/PAINTED STEEL FUEL/HYDRAULIC TANK(S) WITH PAINTED BANDS			STD
FUEL TANK(S) FORWARD			STD
PLAIN STEP FINISH			STD
FUEL TANK CAP(S)			STD
DETROIT FUEL/WATER SEPARATOR WITH WATER IN FUEL SENSOR AND 12 VOLT PREHEATER	-5		\$30.00
EQUIFLO INBOARD FUEL SYSTEM			STD
HIGH TEMPERATURE REINFORCED NYLON FUEL LINE			STD
FUEL COOLER	10		\$155.00
Tires			
MICHELIN X WORKS Z 315/80R22.5 20 PLY RADIAL FRONT TIRES	100		\$474.00
MICHELIN X MULTI D 11R22.5 16 PLY RADIAL REAR TIRES		120	(\$80.00)

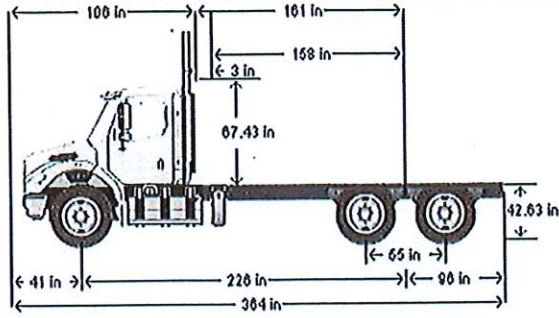
Description	Weight Front	Weight Rear	Retail Price
Hubs			
CONMET PRESET PLUS PREMIUM IRON FRONT HUBS			STD
CONMET PRESET PLUS PREMIUM IRON REAR HUBS			STD
Wheels			
ALCOA ULTRA ONE 89U64X 22.5X9.00 10-HUB PILOT 5.99 INSET ALUMINUM FRONT WHEELS	-28		\$482.00
MAXION WHEELS 91262 22.5X8.25 10-HUB PILOT 5-HAND STEEL DISC REAR WHEELS		40	(\$16.00)
POLISHED FRONT WHEELS; OUTSIDE ONLY			\$28.00
FRONT WHEEL MOUNTING NUTS			STD
REAR WHEEL MOUNTING NUTS			STD
Cab Exterior			
106 INCH BBC FLAT ROOF ALUMINUM CONVENTIONAL CAB			STD
AIR CAB MOUNTING			\$97.00
FRONT-REMOVABLE GRILLE MOUNTED BUGSCREEN			\$63.00
2-1/2 INCH FENDER EXTENSIONS	10		\$275.00
LH AND RH GRAB HANDLES			STD
HOOD MOUNTED CHROMED PLASTIC GRILLE			\$159.00
CHROME HOOD MOUNTED AIR INTAKE GRILLE			\$43.00
FIBERGLASS HOOD			STD
SINGLE 14 INCH ROUND POLISHED AIR HORN ROOF MOUNTED	4		\$108.00
SINGLE ELECTRIC HORN			STD
SINGLE HORN SHIELD			N/C
REAR LICENSE PLATE MOUNT END OF FRAME			STD
INTEGRAL HEADLIGHT/MARKER ASSEMBLY WITH CHROME BEZEL			N/C
(5) AMBER MARKER LIGHTS			STD
INTEGRAL STOP/TAIL/BACKUP LIGHTS			STD
STANDARD FRONT TURN SIGNAL LAMPS			STD
DUAL WEST COAST BRIGHT FINISH HEATED MIRRORS			\$133.00
DOOR MOUNTED MIRRORS			STD
102 INCH EQUIPMENT WIDTH			STD
LH AND RH 8 INCH BRIGHT FINISH CONVEX MIRRORS MOUNTED UNDER PRIMARY MIRRORS			N/C
STANDARD SIDE/REAR REFLECTORS			STD
COMPOSITE EXTERIOR SUN VISOR	10		\$280.00
63X14 INCH TINTED REAR WINDOW			STD
TINTED DOOR GLASS LH AND RH WITH TINTED OPERATING WING WINDOWS			\$130.00
RH AND LH ELECTRIC POWERED WINDOWS, PASSENGER SWITCHES ON DOOR(S)	4		\$218.00

Description	Weight Front	Weight Rear	Retail Price
1-PIECE SOLAR GREEN GLASS WINDSHIELD			STD
2 GALLON WINDSHIELD WASHER RESERVOIR WITHOUT FLUID LEVEL INDICATOR, FRAME MOUNTED			STD
Cab Interior			
OPAL GRAY VINYL INTERIOR			N/C
MOLDED PLASTIC DOOR PANEL			STD
MOLDED PLASTIC DOOR PANEL			STD
BLACK MATS WITH SINGLE INSULATION			STD
DASH MOUNTED ASH TRAYS AND LIGHTER			\$13.00
FORWARD ROOF MOUNTED CONSOLE WITH UPPER STORAGE COMPARTMENTS WITHOUT NETTING			STD
IN DASH STORAGE BIN			STD
(2) CUP HOLDERS LH AND RH DASH			STD
GRAY/CHARCOAL FLAT DASH			STD
SMART SWITCH EXPANSION MODULE			\$198.00
5 LB. FIRE EXTINGUISHER	10		\$60.00
HEATER, DEFROSTER AND AIR CONDITIONER			STD
STANDARD HVAC DUCTING			STD
MAIN HVAC CONTROLS WITH RECIRCULATION SWITCH			STD
STANDARD HEATER PLUMBING			STD
VALEO HEAVY DUTY A/C REFRIGERANT COMPRESSOR			STD
BINARY CONTROL, R-134A			STD
STANDARD INSULATION			STD
SOLID-STATE CIRCUIT PROTECTION AND FUSES			STD
12V NEGATIVE GROUND ELECTRICAL SYSTEM			STD
DOME DOOR ACTIVATED LH AND RH, DUAL READING LIGHTS, FORWARD CAB ROOF			N/C
DOOR LOCKS AND IGNITION SWITCH KEYED THE SAME			STD
KEY QUANTITY OF 2			STD
LH AND RH ELECTRIC DOOR LOCKS			\$99.00
(1) 12 VOLT POWER SUPPLY IN DASH			\$21.00
TRIANGULAR REFLECTORS WITHOUT FLARES	10		\$24.00
BASIC ISRINGHAUSEN HIGH BACK AIR SUSPENSION DRIVERS SEAT WITH MECHANICAL LUMBAR AND INTEGRATED CUSHION EXTENSION	30		\$167.00
2 MAN TOOL BOX MID BACK NON SUSPENSION PASSENGER SEAT	20		\$308.00
LH AND RH INTEGRAL DOOR PANEL ARMRESTS			STD
VINYL WITH VINYL INSERT DRIVER SEAT			STD
VINYL WITH VINYL INSERT PASSENGER SEAT			STD
BLACK SEAT BELTS			STD

Description	Weight Front	Weight Rear	Retail Price
ADJUSTABLE TILT AND TELESCOPING STEERING COLUMN	10		\$478.00
4-SPOKE 18 INCH (450MM) STEERING WHEEL			STD
DRIVER AND PASSENGER INTERIOR SUN VISORS			STD
Instruments & Controls			
GRAY DRIVER INSTRUMENT PANEL			STD
GRAY CENTER INSTRUMENT PANEL			STD
ENGINE REMOTE INTERFACE WITH PARK BRAKE AND NEUTRAL INTERLOCKS			N/C
BLACK GAUGE BEZELS			STD
LOW AIR PRESSURE INDICATOR LIGHT AND AUDIBLE ALARM			STD
2 INCH PRIMARY AND SECONDARY AIR PRESSURE GAUGES			STD
DASH MOUNTED AIR RESTRICTION INDICATOR WITH GRADUATIONS			\$25.00
ELECTRONIC CRUISE CONTROL WITH SWITCHES IN LH SWITCH PANEL			STD
KEY OPERATED IGNITION SWITCH AND INTEGRAL START POSITION; 4 POSITION OFF/RUN/START/ACCESSORY			STD
ICU3S, 132X48 DISPLAY WITH DIAGNOSTICS, 28 LED WARNING LAMPS AND DATA LINKED			STD
HEAVY DUTY ONBOARD DIAGNOSTICS INTERFACE CONNECTOR LOCATED BELOW LH DASH			STD
2 INCH ELECTRIC FUEL GAUGE			STD
ENGINE REMOTE INTERFACE FOR REMOTE THROTTLE			\$88.00
ENGINE REMOTE INTERFACE CONNECTOR AT BACK OF CAB			N/C
CHASSIS MODULE JUMPER AND BRACKET FOR BODY BUILDER TO RELOCATE THE CHASSIS MODULE INTO THE CAB			\$257.00
ELECTRICAL ENGINE COOLANT TEMPERATURE GAUGE			STD
2 INCH TRANSMISSION OIL TEMPERATURE GAUGE			STD
ENGINE AND TRIP HOUR METERS INTEGRAL WITHIN DRIVER DISPLAY			STD
(1) DASH MOUNTED PTO SWITCH WITH INDICATOR LAMP - PARK BRAKE INTERLOCK	10		\$61.00
ELECTRIC ENGINE OIL PRESSURE GAUGE			STD
OVERHEAD INSTRUMENT PANEL			N/C
AM/FM/WB WORLD TUNER RADIO WITH BLUETOOTH, USB AND AUXILIARY INPUTS, J1939	10		\$490.00
DASH MOUNTED RADIO			N/C
(2) RADIO SPEAKERS IN CAB			N/C

Description	Weight Front	Weight Rear	Retail Price
POWER AND GROUND WIRING PROVISION OVERHEAD			N/C
ROOF/OVERHEAD CONSOLE CB RADIO PROVISION			\$55.00
MULTI-BAND AM/FM/WB/CB LH MIRROR MOUNTED ANTENNA SYSTEM			\$194.00
ELECTRONIC MPH SPEEDOMETER WITH SECONDARY KPH SCALE, WITHOUT ODOMETER			STD
STANDARD VEHICLE SPEED SENSOR			STD
ELECTRONIC 3000 RPM TACHOMETER			STD
IDLE LIMITER, ELECTRONIC ENGINE			STD
FOUR ON/OFF ROCKER SWITCHES IN THE DASH WITH INDICATOR LIGHTS AND WIRE ROUTED TO CHASSIS AT BACK OF CAB, LABEL OPT			\$98.00
DIGITAL VOLTAGE DISPLAY INTEGRAL WITH DRIVER DISPLAY			STD
SINGLE ELECTRIC WINDSHIELD WIPER MOTOR WITH DELAY			STD
MARKER LIGHT SWITCH INTEGRAL WITH HEADLIGHT SWITCH			STD
ONE VALVE PARKING BRAKE SYSTEM WITH DASH VALVE CONTROL AUTONEUTRAL AND WARNING INDICATOR			\$111.00
SELF CANCELING TURN SIGNAL SWITCH WITH DIMMER, WASHER/WIPER AND HAZARD IN HANDLE			STD
INTEGRAL ELECTRONIC TURN SIGNAL FLASHER WITH HAZARD LAMPS OVERRIDING STOP LAMPS			STD
Design			
PAINT: ONE SOLID COLOR			STD
Color			
CAB COLOR A: L0006EY WHITE ELITE EY			STD
BLACK, HIGH SOLIDS POLYURETHANE CHASSIS PAINT			STD
POWDER WHITE (N0006EA) REAR WHEELS/RIMS (PKWHT21, TKWHT21, W, TW)			STD
SUNVISOR PAINTED SAME AS CAB COLOR A			N/C
STANDARD E COAT/UNDERCOATING			STD
Certification / Compliance			
U.S. FMVSS CERTIFICATION, EXCEPT SALES CABS AND GLIDER KITS			STD
Secondary Factory Options			
CORPORATE PDI CENTER IN-SERVICE ONLY			N/C
TOTAL VEHICLE SUMMARY			

DIMENSIONS



VEHICLE SPECIFICATIONS SUMMARY - DIMENSIONS

Model.....	M2106
Wheelbase (545)	5750MM (226 INCH) WHEELBASE
Rear Frame Overhang (552).....	2450MM (96 INCH) REAR FRAME OVERHANG
Fifth Wheel (578)	NO FIFTH WHEEL
Mounting Location (577).....	NO FIFTH WHEEL LOCATION
Maximum Forward Position (in).....	0
Maximum Rearward Position (in)	0
Amount of Slide Travel (in).....	0
Slide Increment (in).....	0
Desired Slide Position (in).....	0.0
Cab Size (829).....	106 INCH BBC FLAT ROOF ALUMINUM CONVENTIONAL CAB
Sleeper (682).....	NO SLEEPER BOX/SLEEPER/CAB
Exhaust System (016).....	RH OUTBOARD UNDER STEP MOUNTED HORIZONTAL AFTERTREATMENT SYSTEM ASSEMBLY WITH RH B-PILLAR MOUNTED VERTICAL TAILPIPE

TABLE SUMMARY - DIMENSIONS

Dimensions	Inches
Bumper to Back of Cab (BBC)	106.3
Bumper to Centerline of Front Axle (BA)	40.7
Front Axle to Back of Cab (AC)	65.6
Min. Cab to Body Clearance (CB)	3.0
Back of Cab to Centerline of Rear Axle(s) (CA)	160.8
Effective Back of Cab to Centerline of Rear Axle(s) (Effective CA)	157.8
Back of Cab Protrusions (Exhaust/Intake) (CP)	2.0
Back of Cab Protrusions (Side Extenders/Trim Tab) (CP)	0.0
Back of Cab Protrusions (CNG Tank)	0.0
Back of Cab Clearance (CL)	3.0
Back of Cab to End of Frame	257.3
Cab Height (CH)	67.4
Wheelbase (WB)	226.4
Frame Overhang (OH)	96.5
Overall Frame Length	352.3
Overall Length (OAL)	363.6
Rear Axle Spacing	55.0
Unladen Frame Height at Centerline of Rear Axle	42.6

Performance calculations are estimates only. If performance calculations are critical, please contact Customer Application Engineering.

Q U O T A T I O N

Short Equipment
 2210 E Adams Street
 Phoenix, AZ 85034
 Phone #: (480)999-5455

PHONE #: (928)213-2193
 CELL #:
 ALT. #:
 P.O.#:
 TERMS: Net 30
 SALES TYPE: Quote

DATE: 8/8/2023
 ORDER #: 1210
 CUSTOMER #: 100104
 CP: TBD
 LOCATION: 1
 STATUS: Active

BILL TO 100104

CITY OF FLAGSTAFF - TRUCK SALE
 3200 W. ROUTE 66
 FLAGSTAFF, AZ 86001 US

SHIP TO

CITY OF FLAGSTAFF - TRUCK SALE
 3200 W. ROUTE 66
 FLAGSTAFF, AZ 86001 US

MFR PRODUCT NUMBER	DESCRIPTION	QTY	PRICE	NET	TOTAL
SCRAKC25	New Way 25Yd. King Cobra Full Body Weld Broom/Shovel Rack - Street Side Tailgate Access Door Steps - Ladder with Handles Tailgate Seal Extension Guards to Protect Roof Hoses/Pipes LED Mid Body Back-Up Lights LED Work Lights - Shinning into Hopper Integrated Strobe Light Package - 2 UpperTG/2 LowerTG 7" Flat Screen Monitor with Audio Complete Mount Auto Trans Hot Shift w/Overspeed, Pump&Pack on the go Remote Grease Zerk - TG & Upper CylinderHinge Pins Hour Meter on PTO Nylon Sleeves on Hoses Quick Connect Pressure Gauge Rubber Mud Flap Behind Rear Axles Steel Tool Box 18x18x24 10lb. Fire Extinguisher and Triangle Kit Painted White to Match the Cab Truck is Ready for Additional Container Control Systems Tow Package	1	\$128,750.00	\$128,750.00	\$128,750.00
	Standard Manufacturer Warranty ** 2 Year - Cylinder ** 1 Year - Body and Hydraulic				

Prices reflected on this quote are valid for 30 days and while current supplies last. However, prices are subject to change if the program or promotion the prices were quoted under is no longer in effect.

SUBTOTAL:	\$128,750.00
TAX:	\$0.00
ORDER TOTAL:	\$128,750.00

Q U O T A T I O N

PAGE: 2

Short Equipment
2210 E Adams Street
Phoenix, AZ 85034
Phone #: (480)999-5455

PHONE #: (928)213-2193
CELL #:
ALT. #:
P.O.#:
TERMS: Net 30
SALES TYPE: Quote

DATE: 8/8/2023
ORDER #: 1210
CUSTOMER #: 100104
CP: TBD
LOCATION: 1
STATUS: Active

Authorized By: _____

Q U O T A T I O N

Short Equipment
 2210 E Adams Street
 Phoenix, AZ 85034
 Phone #: (480)999-5455

PHONE #: (928)213-2193
 CELL #:
 ALT. #:
 P.O.#:
 TERMS: **Net 30**
 SALES TYPE: **Quote**

DATE: **10/24/2023**
 ORDER #: **1210**
 CUSTOMER #: **100104**
 CP: **TBD**
 LOCATION: **1**
 STATUS: **Active**

BILL TO 100104

CITY OF FLAGSTAFF - TRUCK SALE
 3200 W. ROUTE 66
 FLAGSTAFF, AZ 86001 US

SHIP TO

CITY OF FLAGSTAFF - TRUCK SALE
 3200 W. ROUTE 66
 FLAGSTAFF, AZ 86001 US

MFR	PRODUCT NUMBER	DESCRIPTION	QTY	PRICE	NET	TOTAL
SCRAKC25		New Way 25Yd. King Cobra Full Body Weld Broom/Shovel Rack - Street Side Tailgate Access Door Steps - Ladder with Handles Tailgate Seal Extension Guards to Protect Roof Hoses/Pipes LED Mid Body Back-Up Lights LED Work Lights - Shinning into Hopper Integrated Strobe Light Package - 2 UpperTG/2 LowerTG 7" Flat Screen Monitor with Audio Complete Mount Auto Trans Hot Shift w/Overspeed, Pump&Pack on the go Remote Grease Zerk - TG & Upper CylinderHinge Pins Hour Meter on PTO Nylon Sleeves on Hoses Quick Connect Pressure Gauge Rubber Mud Flap Behind Rear Axles Steel Tool Box 18x18x24 10lb. Fire Extinguisher and Triangle Kit Painted White to Match the Cab Truck is Ready for Additional Container Control Systems Tow Package Standard Manufacturer Warranty ** 2 Year - Cylinder ** 1 Year - Body and Hydraulic	1	\$131,450.00	\$131,450.00	\$131,450.00

Prices reflected on this quote are valid for 30 days and while current supplies last. However, prices are subject to change if the program or promotion the prices were quoted under is no longer in effect.

SUBTOTAL:	\$131,450.00
TAX:	\$0.00
ORDER TOTAL:	\$131,450.00

Q U O T A T I O N

Short Equipment
2210 E Adams Street
Phoenix, AZ 85034
Phone #: (480)999-5455

PHONE #: (928)213-2193
CELL #:
ALT. #:
P.O.#:
TERMS: **Net 30**
SALES TYPE: **Quote**

DATE: **10/24/2023**
ORDER #: **1210**
CUSTOMER #: **100104**
CP: **TBD**
LOCATION: **1**
STATUS: **Active**

Authorized By: _____