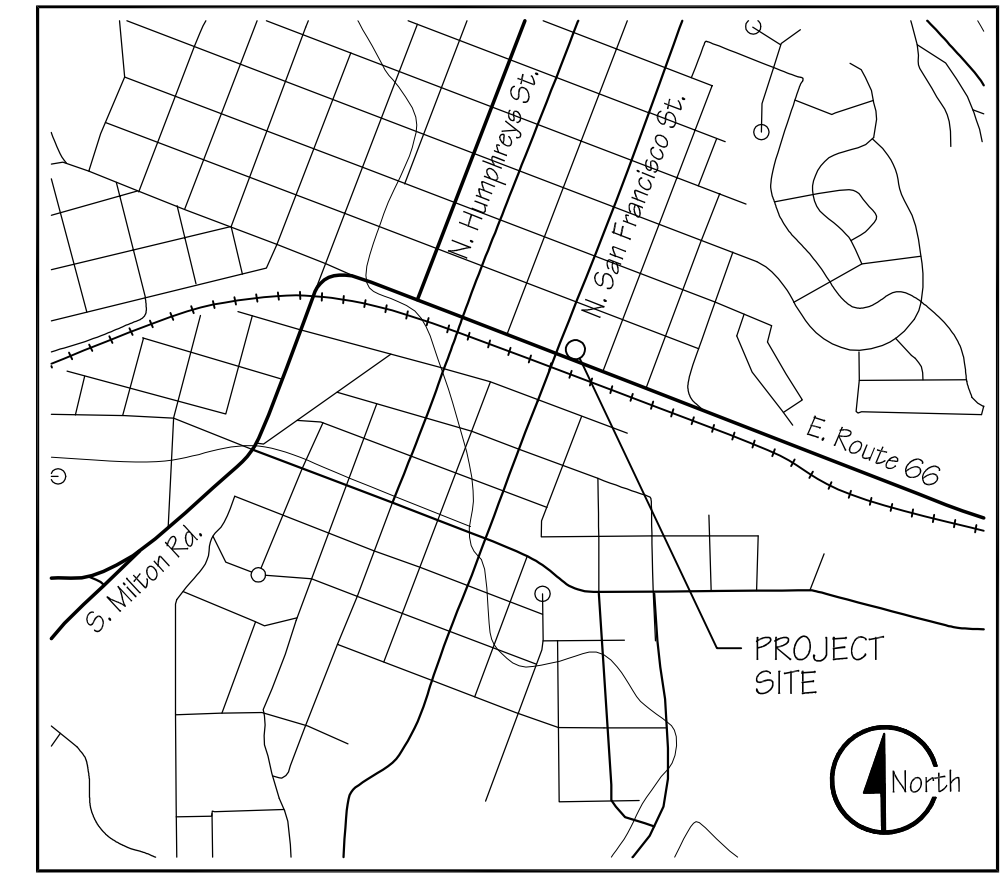




SITE PLAN
SCALE: 1" = 10'



VICINITY MAP
FLAGSTAFF, AZ
(NOT TO SCALE)

LEGEND:

- PROPERTY BOUNDARY
- - - ROADWAY CENTERLINE
- ... 2 FT. CONTOUR
- EXISTING CONCRETE EDGE
- EXISTING TREE

GENERAL NOTES:

PROJECT DESCRIPTION:
REMOVE & REPLACE EXISTING ENTRY
SHED ROOF BEAM & COLUMNS

PROJECT ADDRESS:
104 E. ROUTE 66
FLAGSTAFF, AZ 86001
COCONINO COUNTY, AZ

PROPERTY OWNER:
104 EAST ROUTE 66, FLAGSTAFF LLC
1760 E. PECOS RD., STE 332
GILBERT, AZ 85295

CONTRACTOR / BUILDER:
B3 CONSTRUCTION LLC (BOB HARRIS III)
2420 N. 3RD ST., STE B
FLAGSTAFF, AZ 86004
(928)-525-6667

ASSESSOR'S PARCEL NUMBER: 101-21-011
LOT 11, FLAGSTAFF (TOWN OF)
RAILROAD ADDITION

ZONING: CENTRAL BUSINESS (CB) WITH
RAILROAD ADDITION HISTORIC DISTRICT

AREA OF PARCEL: 2,220 SF

AREA OF BUILDING FOOTPRINT: 2,148 SF

PARKING: EXISTING TO REMAIN

SIGNAGE: EXISTING TO REMAIN

LIGHTING ZONE: ZONE 2

CONSTRUCTION TYPE: V-A (SPRINKLERED)

OCCUPANCY CLASS: C

M.S. OCCUPANCY: 350 - RESTAURANT

SHEET INDEX:

- 1 SITE PLAN, GENERAL NOTES
- 2 EXISTING FLOOR PLAN W/ DEMOLITION,
PROPOSED FLOOR PLAN, FRONT &
RIGHT ELEVATIONS, CROSS-SECTION
CS1, BUILDING CODES, & DESIGN
CRITERIA
- 3 FOUNDATION PLAN, ROOF FRAMING
PLAN, & STRUCTURAL DETAILS

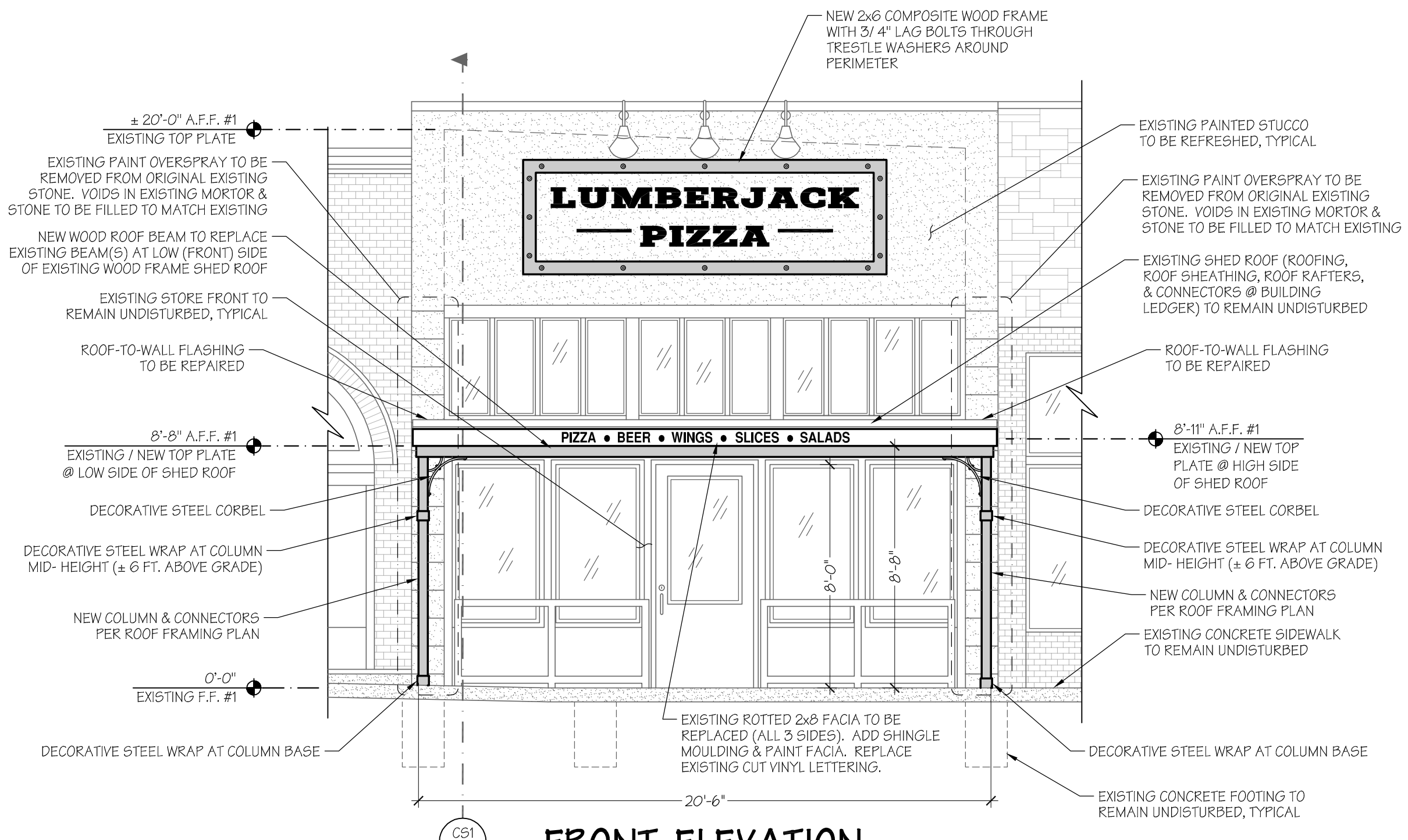
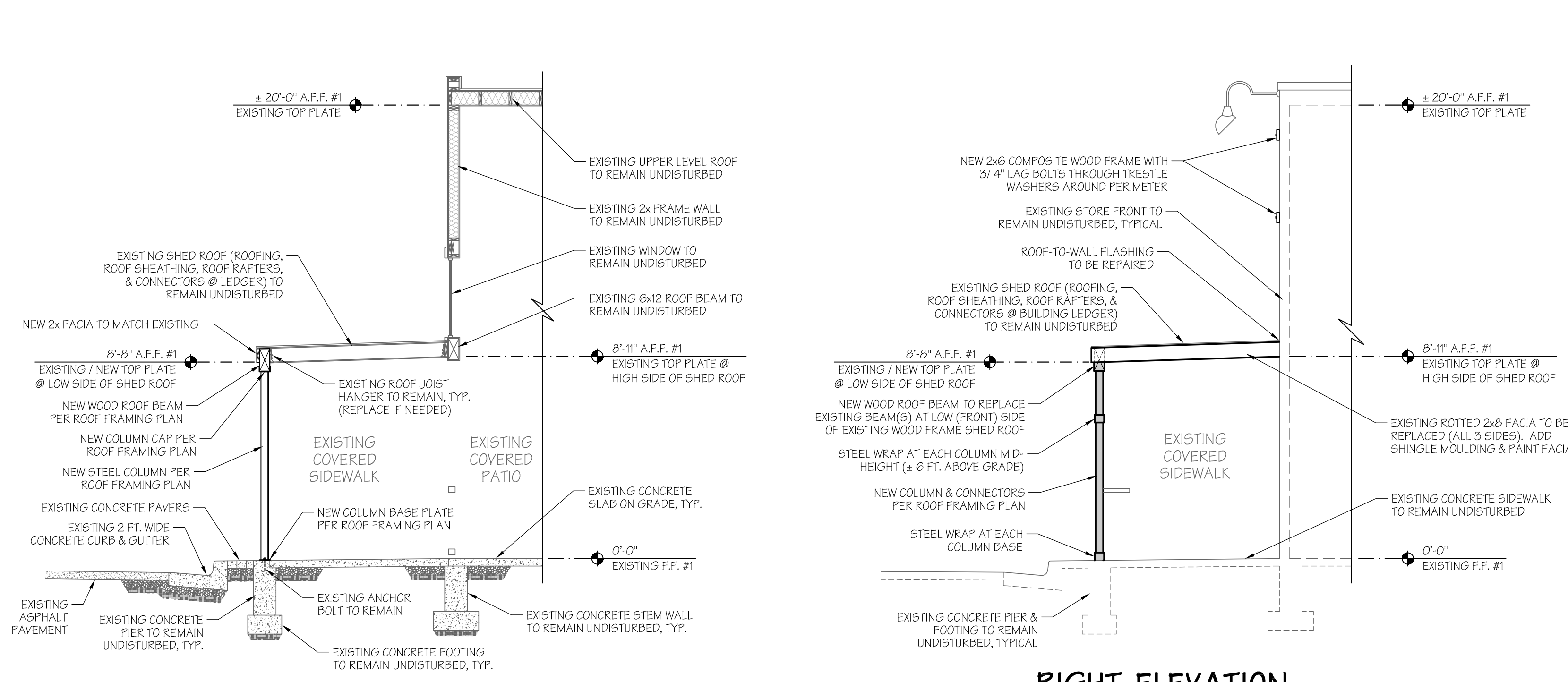
A ROOF BEAM & COLUMN REPLACEMENT FOR
LUMBERJACK PIZZA
104 E. ROUTE 66
FLAGSTAFF, AZ 86001

Drafted & Designed by:
Wayne Hanks

Project #: 2311b

Date: 6-28-24

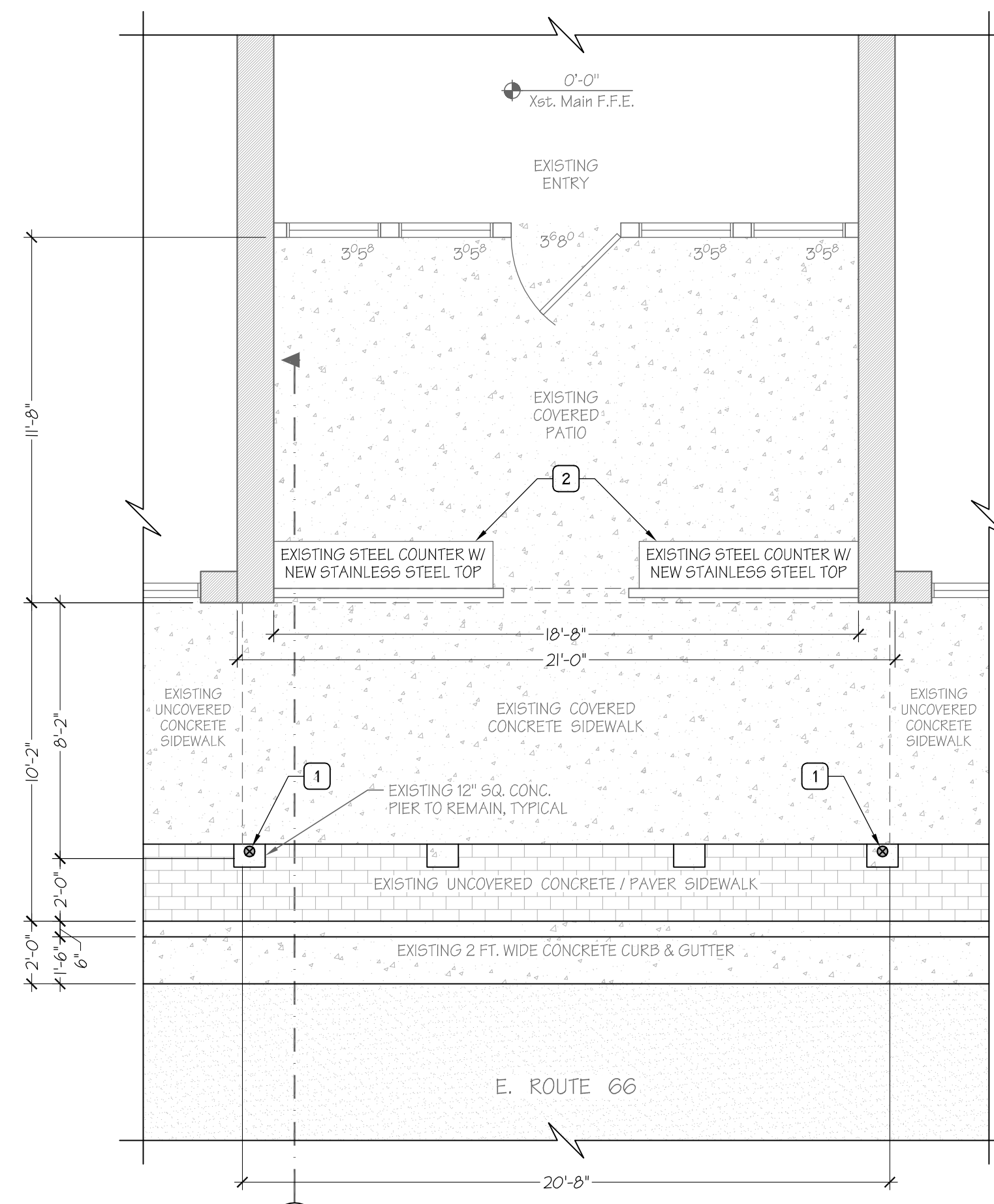
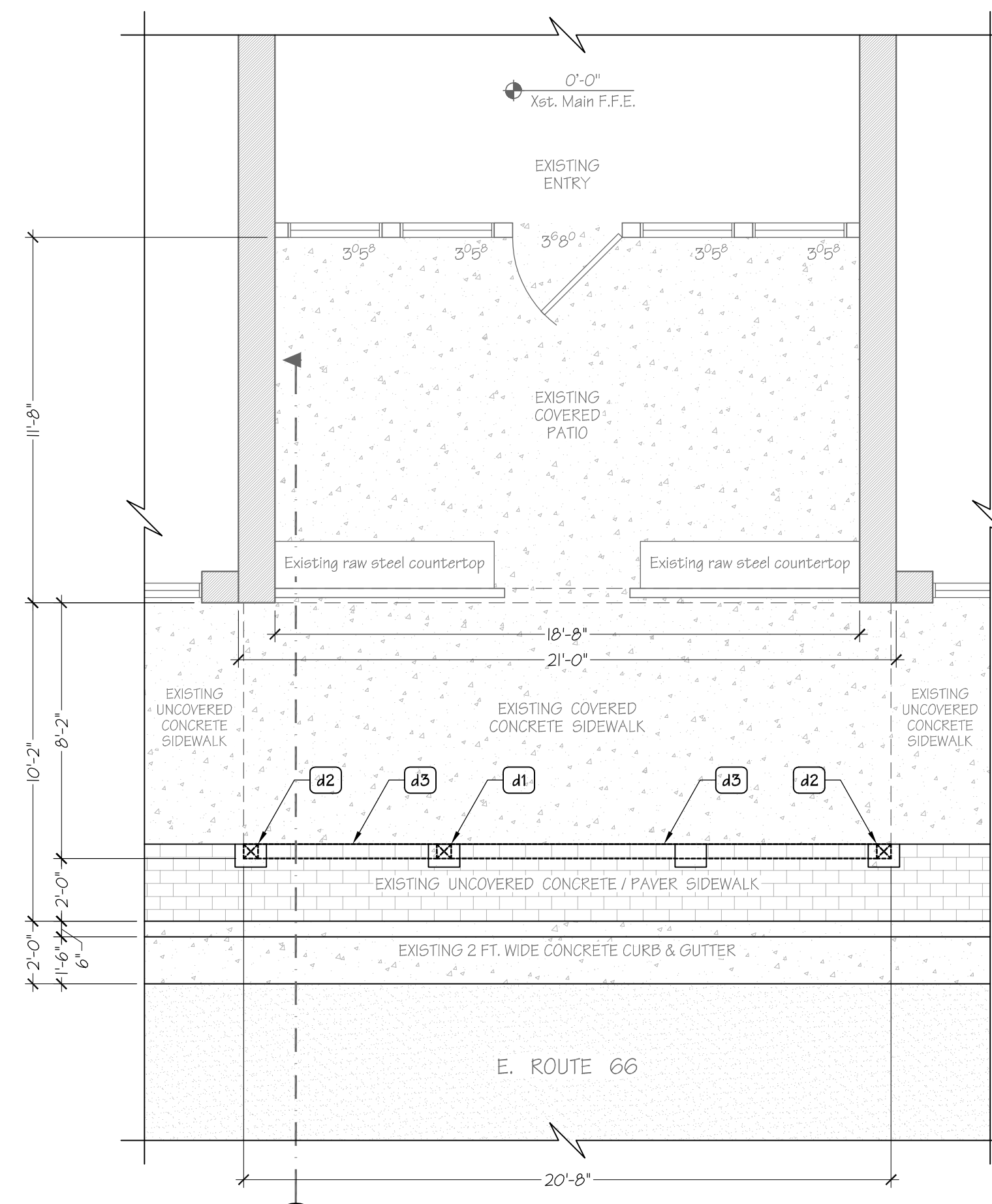
SITE PLAN,
GENERAL NOTES



CROSS-SECTION CS1
 SCALE: 1/4" = 1'-0"

RIGHT ELEVATION
 SCALE: 1/4" = 1'-0"

FRONT ELEVATION
 SCALE: 1/4" = 1'-0"



BUILDING CODES:
 ALL DESIGN AND CONSTRUCTION SHALL COMPLY WITH THE FOLLOWING CODES AS WELL AS OTHER ITEMS AMENDED AND LISTED IN THE CITY OF FLAGSTAFF BUILDING CODE GUIDELINES BOOK:
 2018 INTERNATIONAL BUILDING CODE (IBC)
 2018 INTERNATIONAL RESIDENTIAL CODE (IRC)
 2018 INTERNATIONAL EXISTING BUILDING CODE (IEBC)
 2018 INTERNATIONAL MECHANICAL CODE (IMC)
 2018 INTERNATIONAL PLUMBING CODE (IPC)
 2018 INTERNATIONAL FUEL GAS CODE (IFGC)
 2018 INTERNATIONAL ENERGY CONSERVATION CODE (IECC)
 2018 INTERNATIONAL SWIMMING POOL AND SPA CODE (ISPSA)
 2018 INTERNATIONAL SOLAR ENERGY PROVISIONS (ISEP)
 2011 NFPA 70 / NATIONAL ELECTRIC CODE (NEC)
 ICC A117.1-2011 ACCESSIBLE AND USABLE BUILDINGS AND FACILITIES
 1911 UNIFORM CODE FOR THE ABATEMENT OF DANGEROUS BUILDINGS
 1941 UNIFORM ADMINISTRATIVE CODE
 1941 UNIFORM HOUSING CODE

DESIGN CRITERIA:
 ROOF JOIST LIVE LOAD: 60.0 PSF
 (GROUND SNOW = 60.0 PSF)
 ROOF DEAD LOAD: 15.0 PSF
 WIND: 3 SECOND GUST AT 115 MPH, EXPOSURE: C

EXISTING FLOOR PLAN / DEMOLITION NOTES
 d1 EXISTING 6x6 WOOD COLUMN TO BE REMOVED - SEE PROPOSED FLOOR PLAN & ELEVATIONS.
 d2 EXISTING 6x6 WOOD COLUMN TO BE REMOVED & REPLACED - SEE PROPOSED FLOOR PLAN & ELEVATIONS.
 d3 EXISTING 6x8 WOOD ROOF BEAM TO BE REMOVED & REPLACED - SEE PROPOSED FLOOR PLAN & ELEVATIONS.

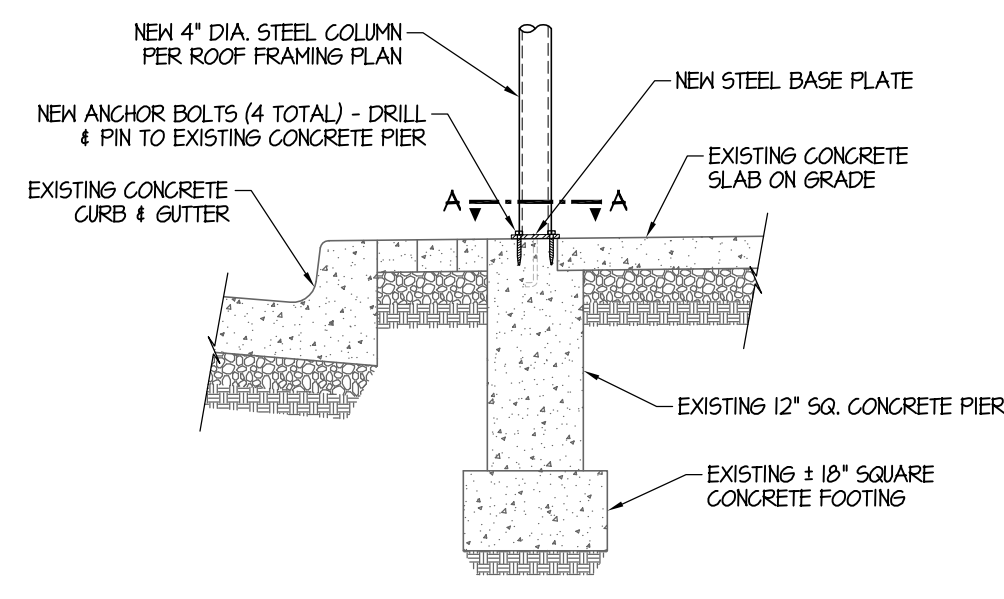
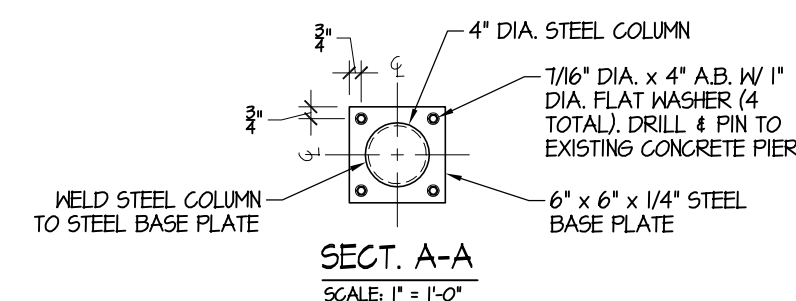
DIMENSION NOTE
 ALL DIMENSIONS TO WALLS ARE TO DIMENSIONAL LUMBER OR CMU BLOCK, NOT TO FINISHED DRYWALL, TYPICAL.

FLOOR PLAN LEGEND
 [Symbol] EXISTING 2x6 WOOD FRAME WALL
 [Symbol] EXISTING STONE BEARING WALL
 [Symbol] EXISTING ROOFLINE
 [Symbol] EXISTING FINISH FLOOR ELEVATION (F.F.E.)
 [Symbol] EXISTING WOOD COLUMN TO BE REMOVED
 [Symbol] NEW STEEL COLUMN

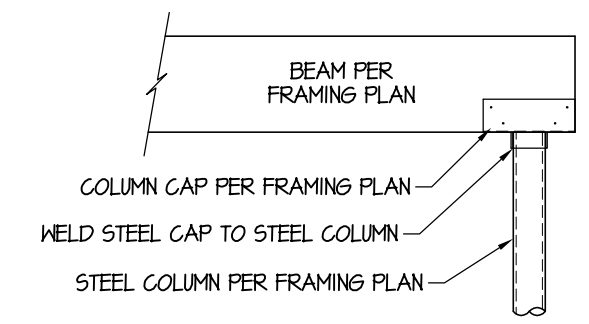
FLOOR PLAN NOTES
 1 NEW 4" DIA. STEEL COLUMN - SEE ROOF FRAMING PLAN FOR MORE INFORMATION.
 2 NEW STAINLESS STEEL COUNTERTOP ON EXISTING RAW STEEL COUNTER

EXISTING FLOOR PLAN / DEMOLITION PLAN
 SCALE: 1/4" = 1'-0"

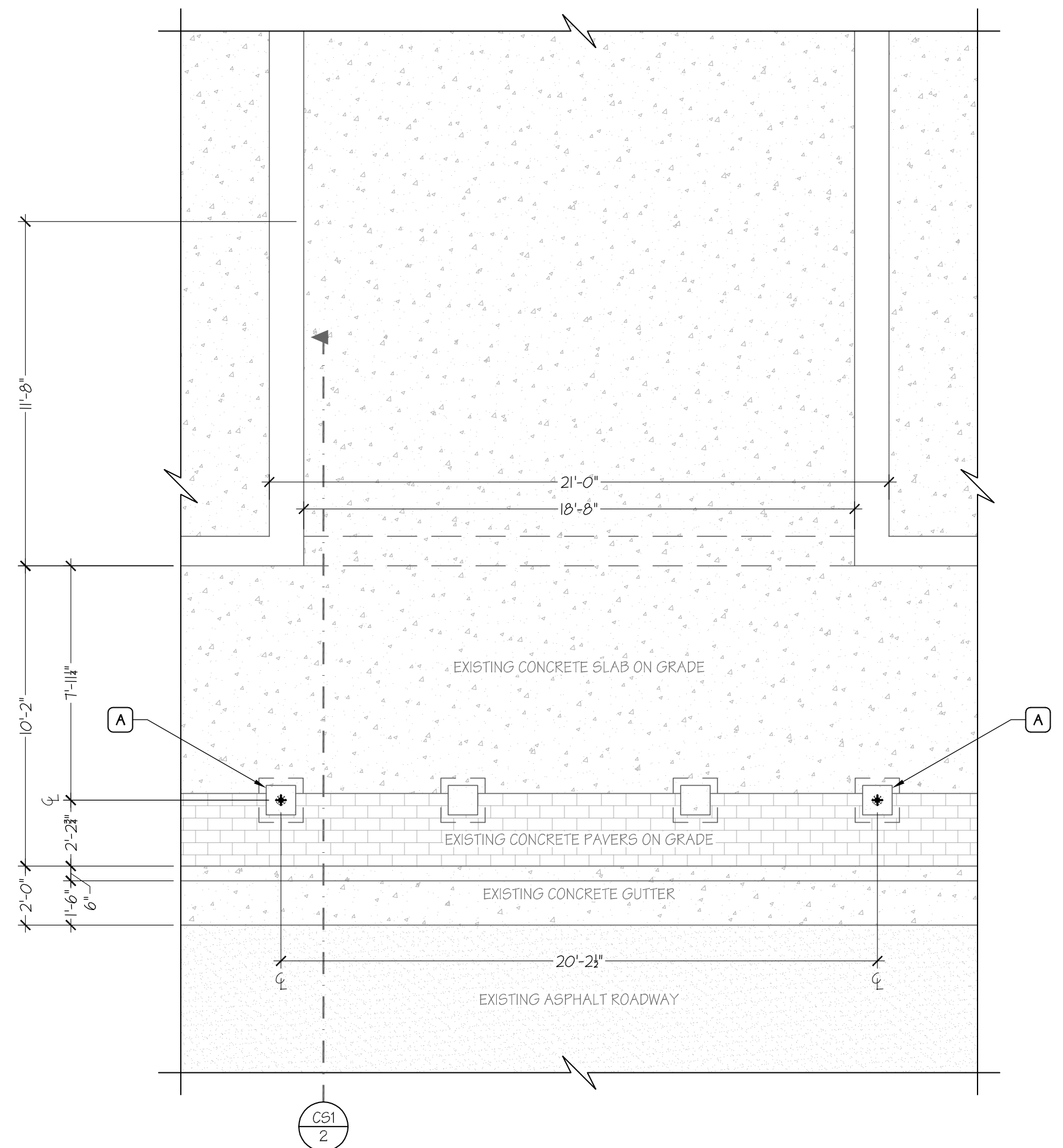
PROPOSED FLOOR PLAN
 SCALE: 1/4" = 1'-0"



TYPICAL NEW STEEL COLUMN AT EXISTING CONCRETE FOUNDATION
 SCALE: 1/2" = 1'-0"



TYP. WOOD BEAM @ STEEL COLUMN
 SCALE: 1/2" = 1'-0"



FOUNDATION PLAN LEGEND

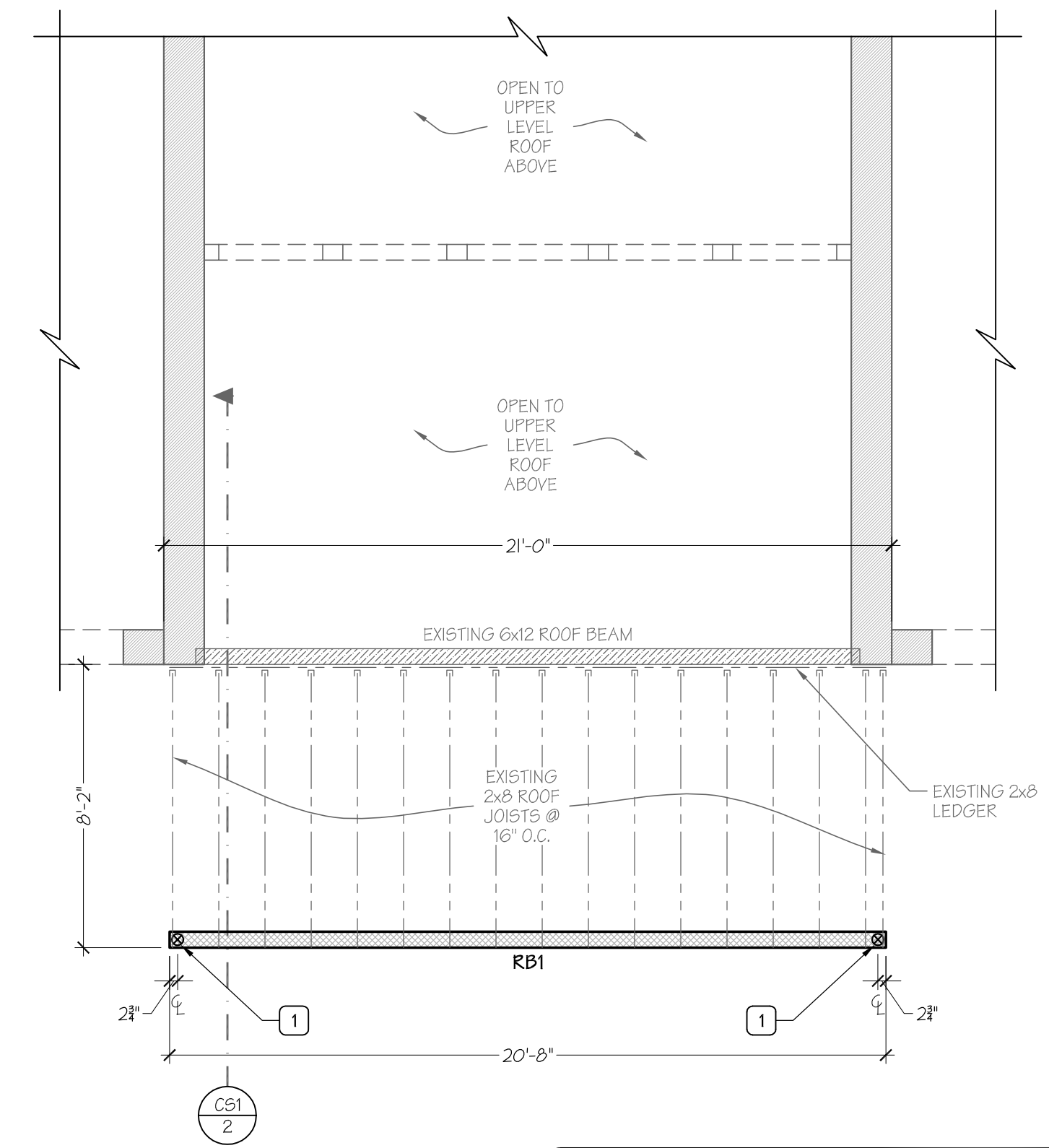
+ BEARING POINT LOAD FROM COLUMN ABOVE

FOUNDATION PLAN NOTES

A EXISTING 12" SQ. CONCRETE PIER AND 18" SQ. CONCRETE FOOTING TO REMAIN UNDISTURBED AT NEW COLUMN BEARINGS.

FOUNDATION PLAN
 SCALE: 1/4" = 1'-0"

DIMENSION NOTE
 ALL DIMENSIONS TO WALLS ARE TO DIMENSIONAL LUMBER OR CMU BLOCK, NOT TO FINISHED DRYWALL, TYPICAL.



ROOF FRAMING PLAN LEGEND

- EXISTING ROOF JOIST W/ HANGER
- EXISTING ROOF BEAM
- EXISTING STONE BEARING WALL
- EXISTING 2x8 WOOD FRAME WALL BELOW
- NEW ROOF BEAM
- NEW STEEL COLUMN

ROOF FRAMING PLAN NOTES

1 NEW 4" DIA. STEEL COLUMN W/ SIMPSON LCC6-4 COLUMN CAP (OR EQUIVALENT) @ TOP AND STEEL BASE PLATE (1/4" THICK x 5" SQUARE MIN.) @ FOUNDATION.

ROOF BEAM SCHEDULE

MK.	SIZE / TYPE	MAX. SPAN	MAX. TRIB.	LOAD TYPE
RB1	5 1/8" x 12 GLULAM	20'-8"	4'-1"	ROOF

1. ALL GLULAM BEAMS ARE 24F-V4 DF/D.F.

MAIN LEVEL ROOF FRAMING PLAN
 SCALE: 1/4" = 1'-0"

Drafted & Designed by:
 Wayne Hanks

Project #: 2311b

Date: 6-28-24

FOUNDATION PLAN,
 MAIN LEVEL ROOF
 FRAMING PLAN