

REECE AND ROWE ARCHITECTS, PLLC, EXPRESSLY RESERVES THE COMMON LAW COPYRIGHT AND OTHER PROPERTY RIGHTS IN THESE PLANS. THESE PLANS ARE NOT TO BE CHANGED OR COPIED IN ANY FORM OR MANNER WITHOUT THE WRITTEN PERMISSION OF REECE AND ROWE ARCHITECTS, PLLC. ©

MOUNTAINVIEW CHURCH NEW SANCTUARY

2150 East Linda Vista Drive



REECE and ROWE
ARCHITECTS

4343 E. Avalon Drive
Phoenix, Arizona 85018
Phone: 602-957-4343
Fax: 602-957-7546

1254 W. University Ave #100
Flagstaff, Arizona 86001
Phone: 928-779-4340
Fax: 928-779-5087

REVISIONS:

REQUIRED PLANT SIZES

TREES:	NATIVE TREES:	15 GALLON
SHRUBS:	NATIVE SHRUBS:	5 GALLON
GROUNDCOVERS:	NATIVE GC:	5 GALLON

IRRIGATION PIPE SCHEDULE

PIPE	PIPE SIZE	GALLONS PER MINUTE
CLASS 315 PVC OR HARDER	1/2"	0-5
CLASS 200 PVC OR HARDER	3/4"	6-10
SCHEDULE 40 PVC	1"	11-15
SCHEDULE 40 PVC	1 - 1/4"	16-25
SCHEDULE 40 PVC	1 - 1/2"	26-35

IRRIGATION LEGEND

- WALL CONTROLLER 12 ZONES
- BACKFLOW PREVENTER
- HUNTER ICV-101G 1" CONTROL VALVE FOR HUNTER POP-UP BUBBLERS
- HUNTER ICV-101G 1" CONTROL VALVE FOR DRIP EMITTER SYSTEM. SEE PIPE SCHEDULE
- 1-1/2" MAIN LINE (SCH. 40)
- CLASS 200 1" DRIP LATERAL LINE
- SCH. 40 PVC SLEEVE
- WATER METER PER CIVIL PLANS

IRRIGATION NOTES

CLARITY NOTE: FOR GRAPHIC CLARITY THE EMITTERS HAVE NOT BEEN SHOWN VERIFY EMITTER COUNT WITH PLANT COUNT AND EMITTER SCHEDULE. PROVIDE WATER TO EACH PLANT. VERIFY IN FIELD

WIRES 2" SCH. 40 PVC (QTY AS REQUIRED)
MAIN LINE 4" SCH. 40 PVC (OR DBL THE MAINLINE SIZE)
DRIP LATERAL 2" SCH. 40 PVC
SHRUB LATERAL 2" SCH. 40 PVC (OR DBL THE LATERAL LINE SIZE)

EMITTER SCHEDULE

PLANT SIZE	GA. PER HR.	EMITTER SIZE
24" BOX	4	(1) ML-210
15 GALLON	4	(1) ML-210
05 GALLON	1	(1) SL-210
01 GALLON	1	(1) SL-210

NOTES: EMITTER SIZING AND QUANTITIES MAY VARY DEPENDING ON SOIL TYPE AND CLIMATE CONDITIONS VERIFY PRIOR TO BID. ALL NON-METALIC WATER AND IRRIGATION PIPING LARGER THAN 1-1/2" REQUIRE MIN. 18 AWG INSULATED COPPER TRACER WIRE SUITABLE FOR DIRECT BURIAL

THE IRRIGATION CONTRACTOR MAY SUBSTITUTE (1) MULTI EMITTER FOR (8) SINGLE EMITTERS IN GROUND AREAS AS LONG AS DIST. TUBING DOES NOT EXCEED 5 FT V.I.F.

FOUNDATION NOTE: NO END CAPS ARE TO BE PLACED WITHIN 15' OF ANY FOUNDATION OR FOOTING. ADJUST LAYOUT AS REQUIRED. THE IRRIGATION IS TO BE MONITORED ON A REGULAR BASIS TO AVOID SOIL SATURATION AROUND FOUNDATIONS AND FOOTINGS. THIS IRRIGATION PLAN IS DIAGRAMATIC ADJUST LAYOUT AS REQUIRED.

BACKFLOW PREVENTER NOTE: ALL BACKFLOW PREVENTION ASSEMBLIES MUST BE TESTED, PASSED AND UPLOADED TO THE BSI DATABASE. BEFORE WATER CAN BE USED FOR ANY PURPOSE, INCLUDING CONSTRUCTION USES

EXISTING TREE LEGEND

- EXISTING TREE TO BE REMOVED
- EXISTING OAK TO REMAIN
- EXISTING PONDEROSA TO REMAIN

SHRUB/ GRASS/ G.C. LEGEND

#	COMMON NAME	BOTANICAL NAME	SIZE
25	BLUE GRAMA GRASS	BOUTELOUA GRACILIS	5 GALLON
9	PURPLE THREE AWN	ARTISTIDA PURPUREA	5 GALLON
GRASSES: 34			
10	BLANKETFLOWER (NATIVE)	GAILLARDIA PULCHELLA	5 GALLON
35	KINNIKINNICK	ARCTOSTAPHYLOS UVA-URSI	5 GALLON
GROUNDCOVER: 45			
3	BLUE RABBITBRUSH	CHRYSOTHAMNUS NAUSEOSUS	5 GALLON
13	RED TWIG DOGWOOD	CORNUS STOLONIFERA	5 GALLON
3	ROSE GLOW BARBERRY	BERBERIS THUNBERGII	5 GALLON
29	UTAH SERVICEBERRY (NATURALIZED)	AMELANCHIER UTAHENSIS	5 GALLON
SHRUB: 48			
23	VIRGINIA CREEPER	PARTHENOCISSUS QUINQUEFOLIA	5 GALLON
VINES: 23			
Grand total: 150			

NEW TREE LEGEND

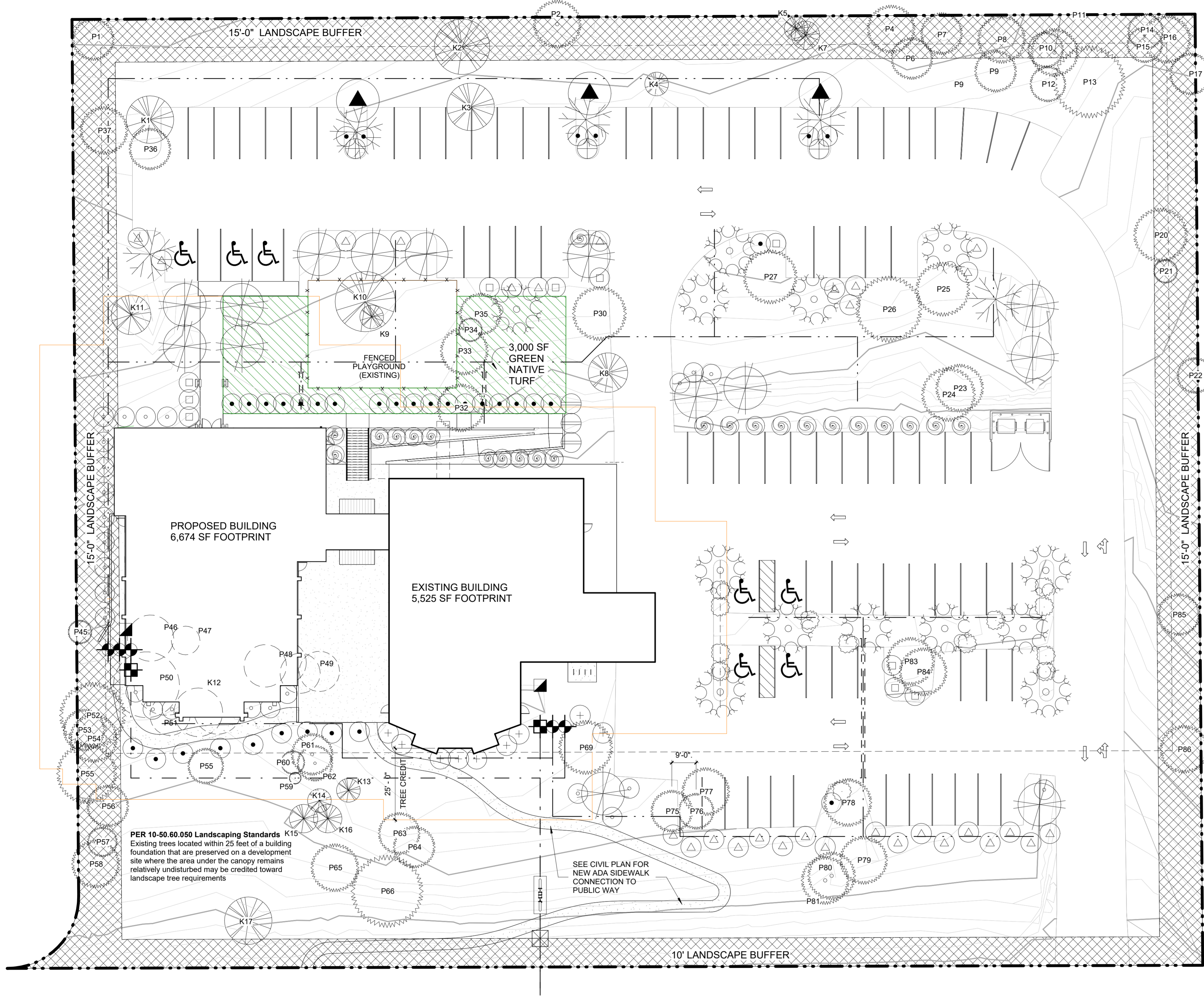
#	COMMON NAME	BOTANICAL NAME	SIZE
13	ASPEN (QUAKING)	POPULOUS TREMULOIDES	15 GALLON
3	BRISTLECO NE PINE	PINUS ARISTATA	15 GALLON
14	GAMBEL OAK	QUERCUS GAMBELII	15 GALLON
5	LIMBER PINE	PINUS FLEXILUS	15 GALLON
TREE: 35			
Grand total: 35			

LANDSCAPE CREDITS FOR EXISTING TREES

TREES 6-10 INCH D.A.B.H	TREES 10-18 INCH D.A.B.H	TREES OVER 18 INCH D.A.B.H	TREE REDUCTION AMT.
16 @ 1 PER TREE	8 @ 2 PER TREE	15 @ 3 PER TREE	-77

LANDSCAPE CALCULATIONS

STREET BUFFER	BUILDING FOUNDATION	PARKING	PERIPHERAL BUFFER	SUBTOTAL	LESS EXISTING TREE CREDIT	TOTAL	PARKING AREA
1 TREE PER 25 LINEAR FT 363' / 25' = 15 TREES	1 TREE PER 25 FT 380' PERIMETER / 25' = 15 TREES	2 PER 8 SPACES 86 SPACES / 8 = 22 TREES	1 PER 25 LINEAR FT 975' / 25' = 39 TREES	91	(77)	14 TREES	86 SPACES x 30SF/SPACE =2,580 SF.
2 SHRUBS / TREE =30 SHRUBS	2 SHRUBS / TREE =30 SHRUBS	2 SHRUBS / TREE =44 SHRUBS	2 SHRUBS / TREE =86 SHRUBS	190	(154)	36 SHRUBS	
2 GRND COVER / TREE =30 G.C.	2 GRND COVER / TREE =30 G.C.	2 GRND COVER / TREE =44 G.C.	2 GRND COVER / TREE =86 G.C.	190	(154)	36 GROUNDCOVER	



11.3 CONCEPT LANDSCAPE PLAN

1" = 20'-0"

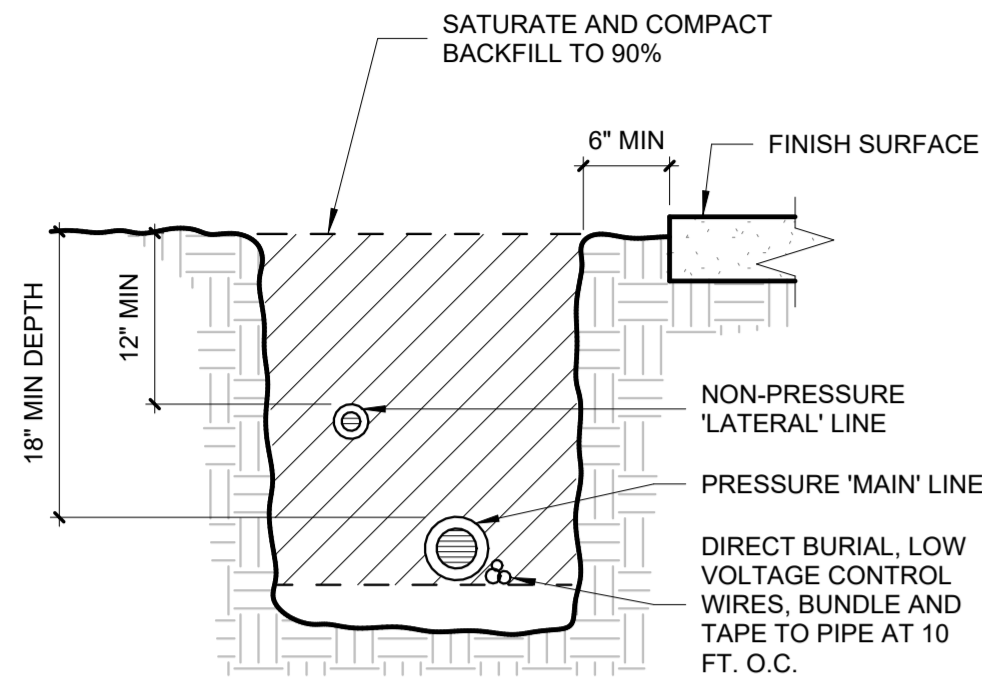
LANDSCAPE NOTES

- LANDSCAPING INSTALLATION AND LAYOUT SHALL COMPLY WITH CITY OF FLAGSTAFF CURRENT ZONING CODE REQUIREMENTS. V.I.F.
- AT THE OWNER'S REQUEST - THE QUANTITY OF THE LANDSCAPE MATERIAL SHOWN EXCEEDS THE MINIMUM CODE / ORDINANCE REQUIREMENTS AND IS SUBJECT TO MODIFICATION BASED ON FINAL PROJECT CONSTRUCTION COST, ANY PROPOSED REDUCTION WILL CONTINUE TO MEET OR EXCEED THE CITY OF FLAGSTAFF MINIMUM REQUIRED LANDSCAPE DESIGN STANDARDS
- ALL LANDSCAPING AND DISTURBED AREAS, INCLUDING CHANNELS SHALL BE SEEDED WITH NATIVE AND/OR DROUGHT TOLERANT GRASSES AND GROUND COVERS SUFFICIENT TO PREVENT SOIL EROSION AND INVASION OF WEEDS AFTER ONE GROWING SEASON. DISTURBED, UNUSED AREAS TO BE SEEDED IN ACCORDANCE WITH ENGINEERING STANDARDS (TITLE 17).
- NO TREES SHALL BE PLANTED IN UTILITY EASEMENTS AND DRAINAGE COURSES
- LANDSCAPE PLAN IS SCHEMATIC. SEE CIVIL PLANS FOR FINISHED GRADING AND PAVING. VERIFY ALL UNDERGROUND UTILITIES. CONNECT NEW IRRIGATION SYSTEM TO METER AT LOCATIONS AS SHOWN ON CIVIL PLANS. SET SYSTEM PRESSURE REGULATOR TO 60 PSI.
- GROUND COVER AREAS ADJACENT TO WALKWAYS WITHIN THE PRIVATE ZONE SHALL RECEIVE GRAVEL, COORDINATE WITH ARCHITECT IN-FIELD.

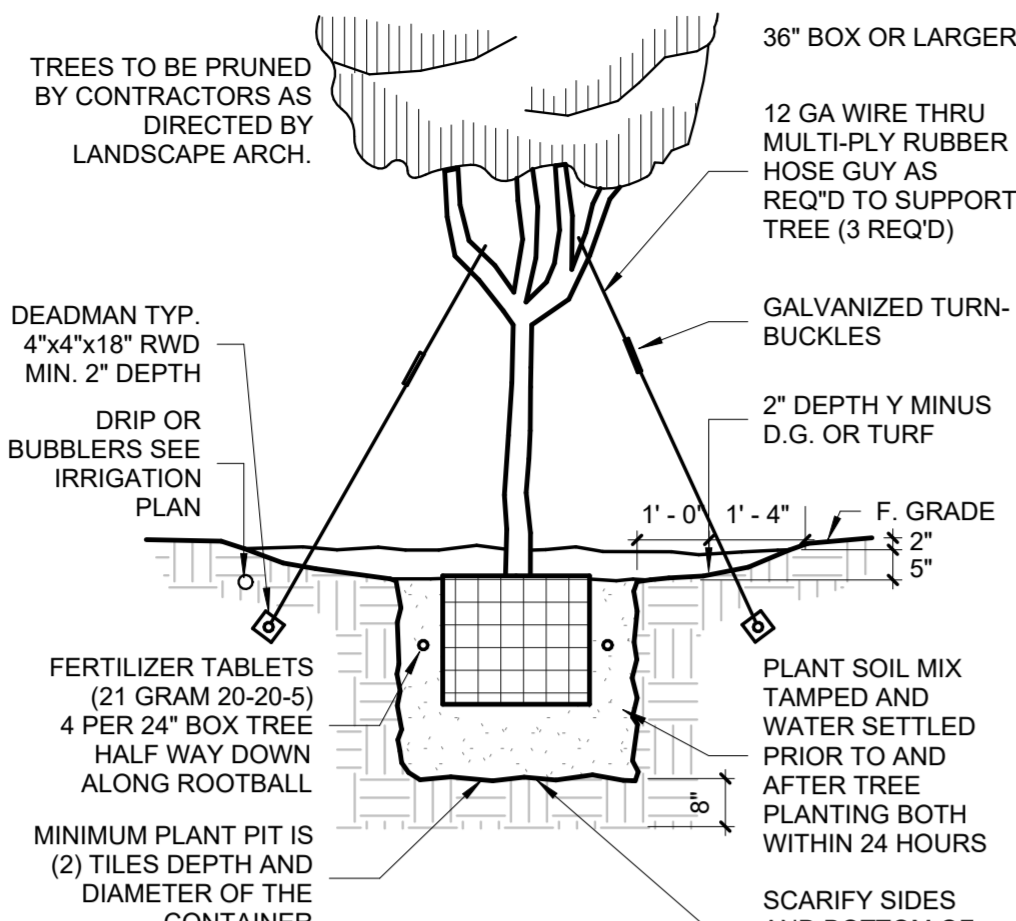
- RUN ELECTRICAL CONDUIT AND WIRING FROM PANEL AND BUILDING INTERIOR. SEE ELECTRICAL PLANS.
- INSTALL TRACER WIRE ABOVE ALL DRAIN LINES.
- IRRIGATION SYSTEM EQUIPMENT AS FOLLOWS:
 A. CONTROLLER
 B. PRESSURE SYSTEM REGULATOR
 C. BACKFLOW PREVENTER
 D. QUICK COUPLING VALVES
 E. REMOTE CONTROL VALVES
 F. SPRINKLER HEADS
 G. MULTI-STATION EMITTERS
 VALVE BOX
 REGULATOR
 CONTROLLER/RAIN SENSOR

L1.0

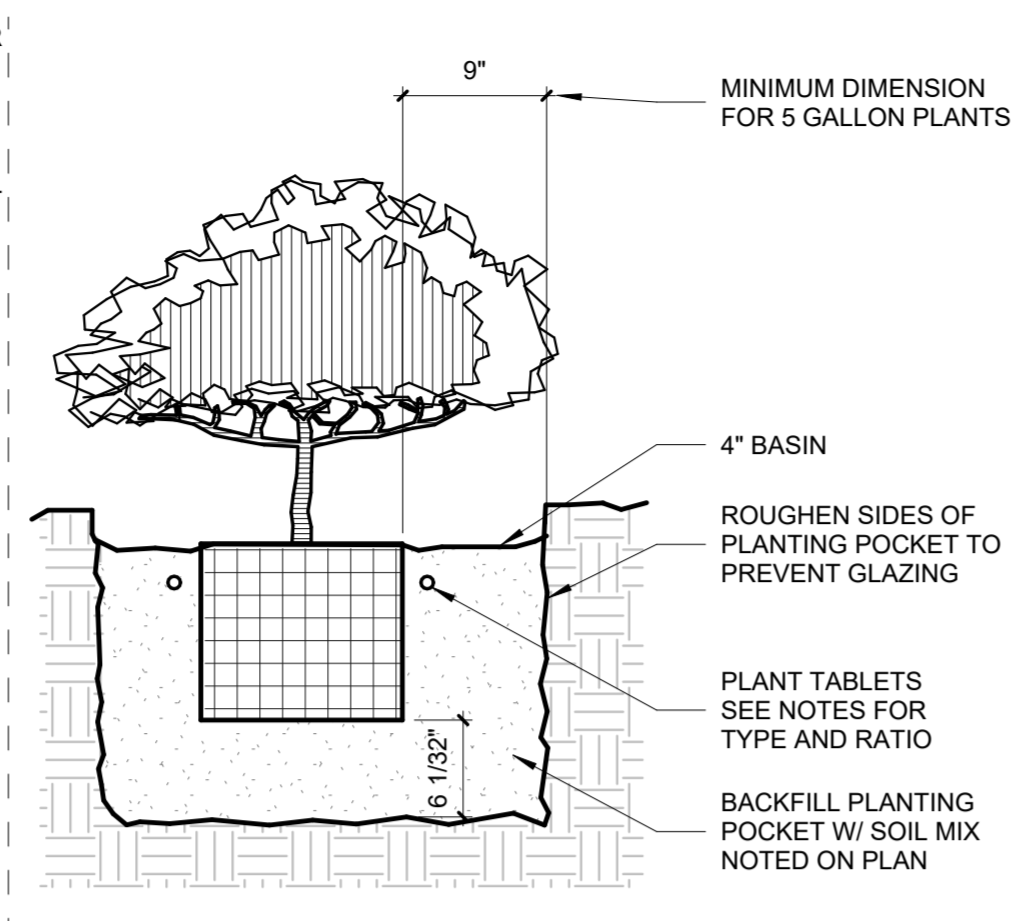
NOTE: ALL PRESSURE MAIN LINE UNDER PAVEMENT SHALL BE BURIED TO A 36" MIN DEPTH



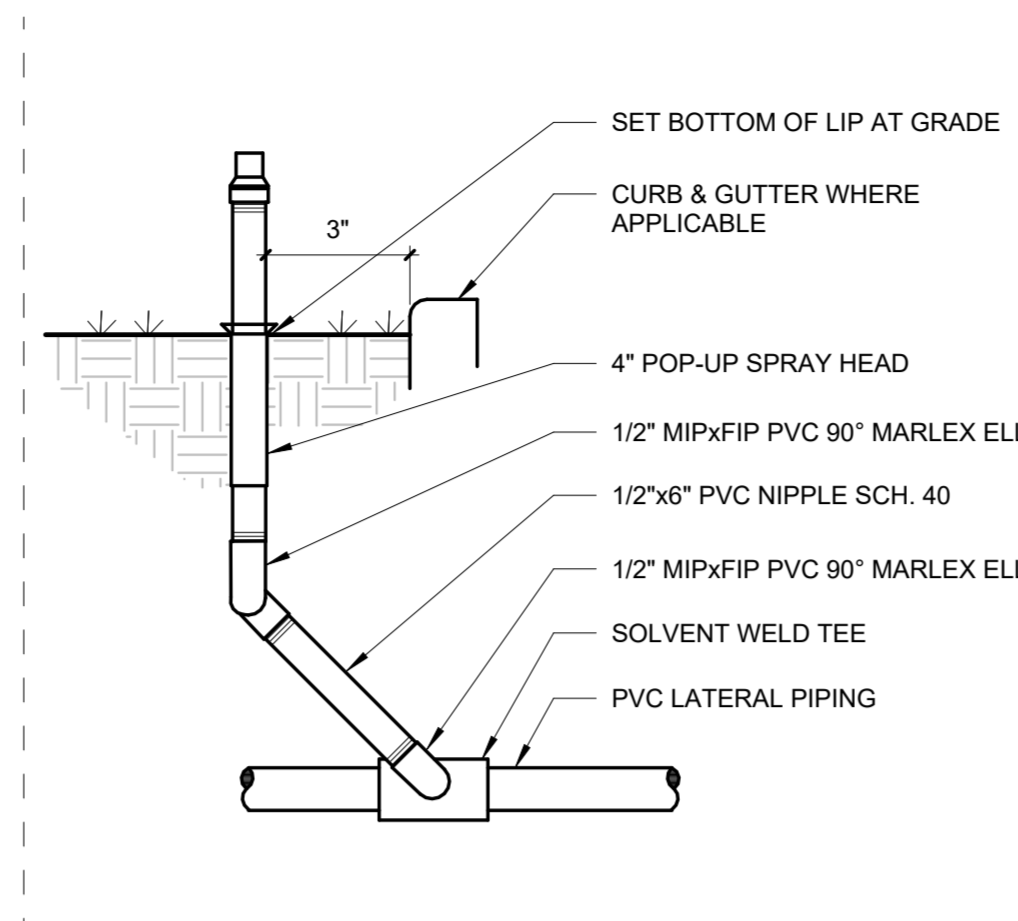
24 TRENCHING
1" = 1'-0"



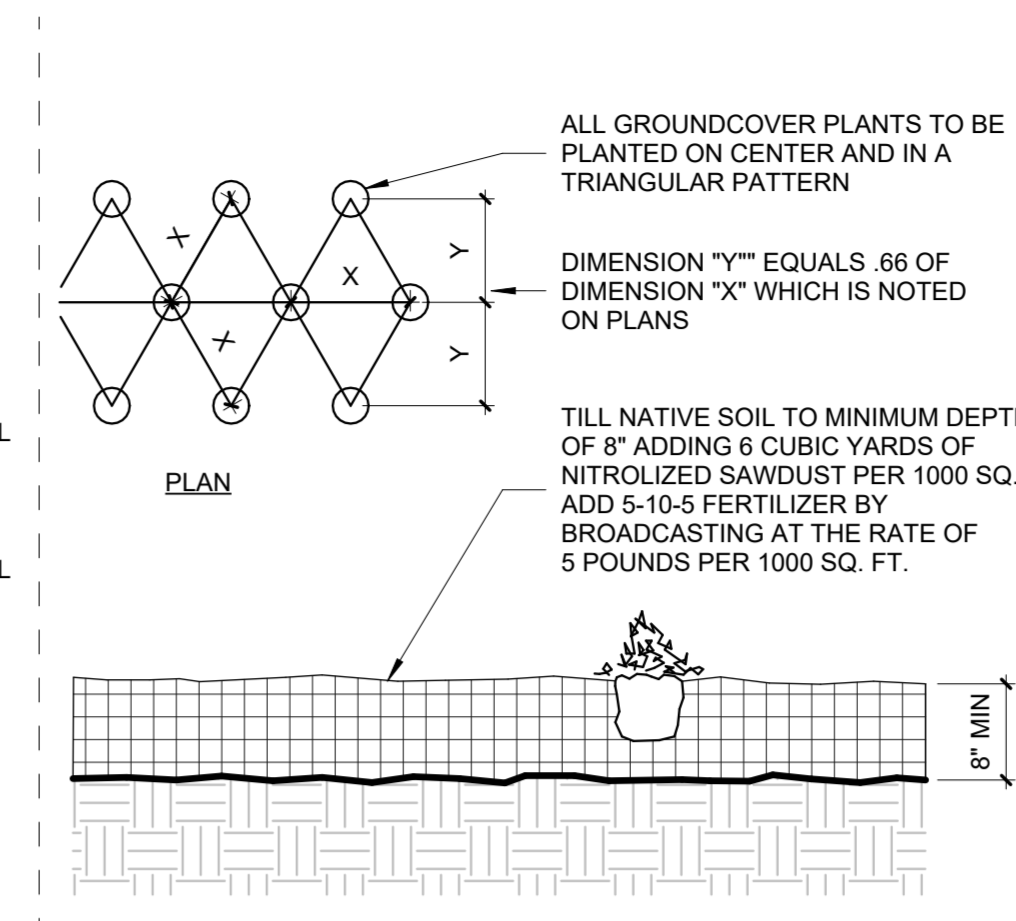
20 TREE GUYING DETAIL
3/8" = 1'-0"



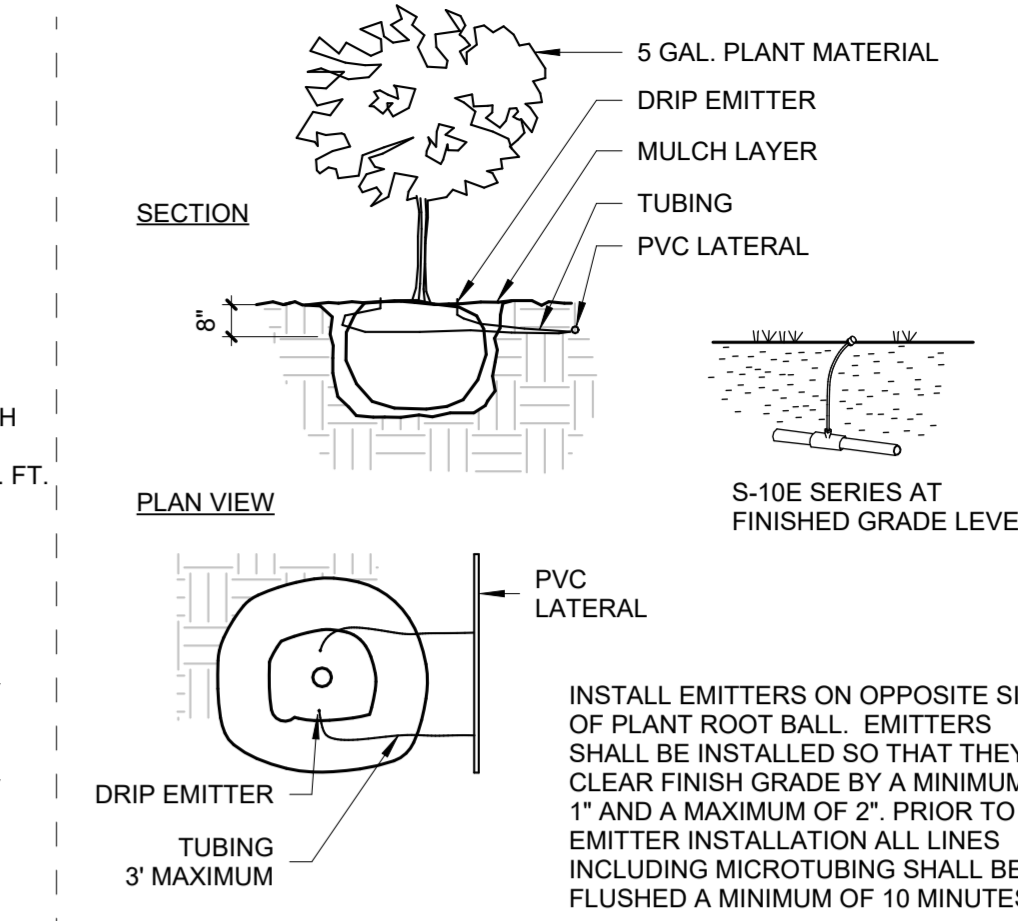
16 5 GALLON SHRUBS
1" = 1'-0"



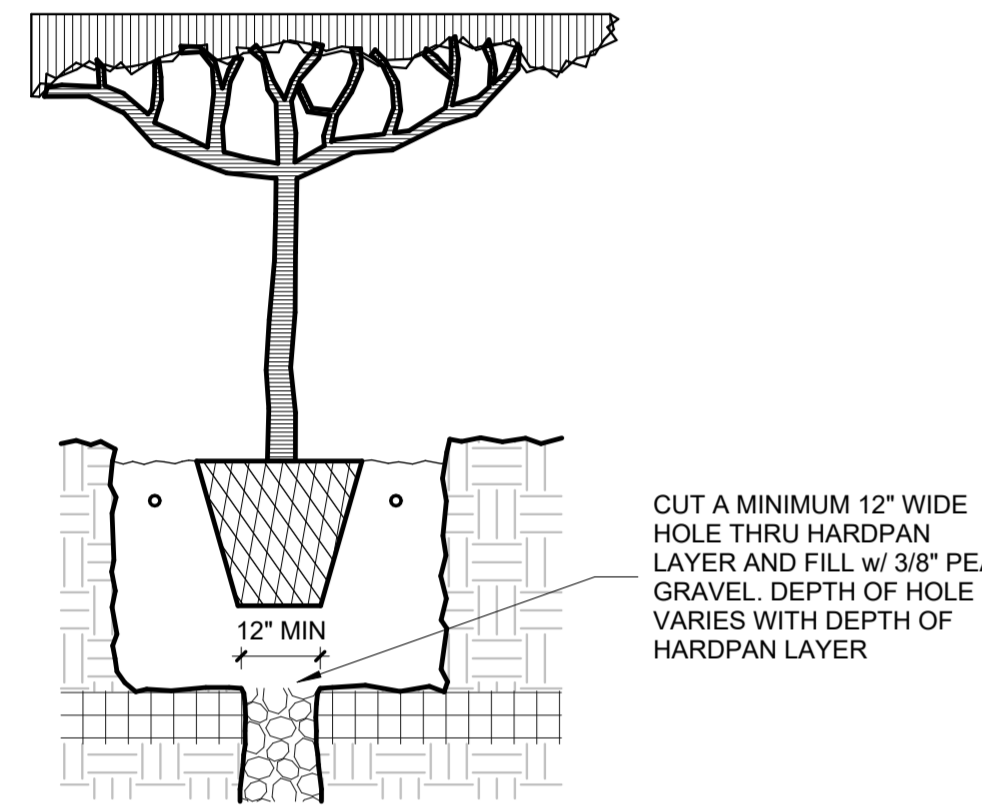
12 POP UP SPRAY HEAD
3" = 1'-0"



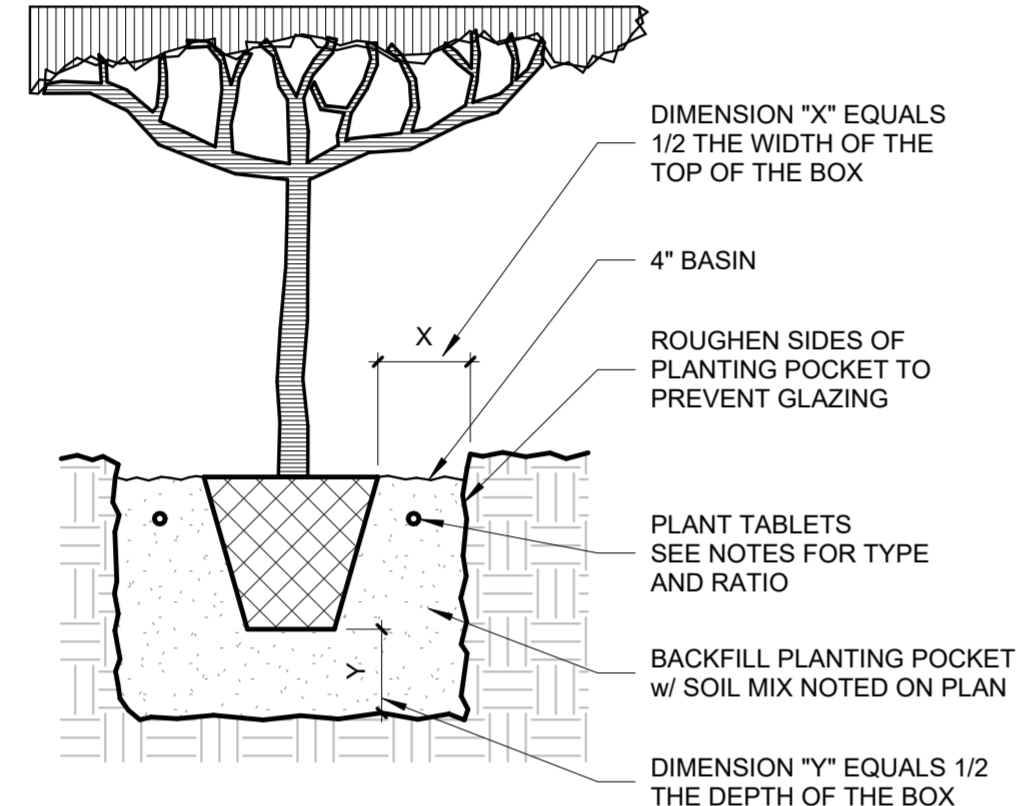
8 GROUNDCOVERS
3/4" = 1'-0"



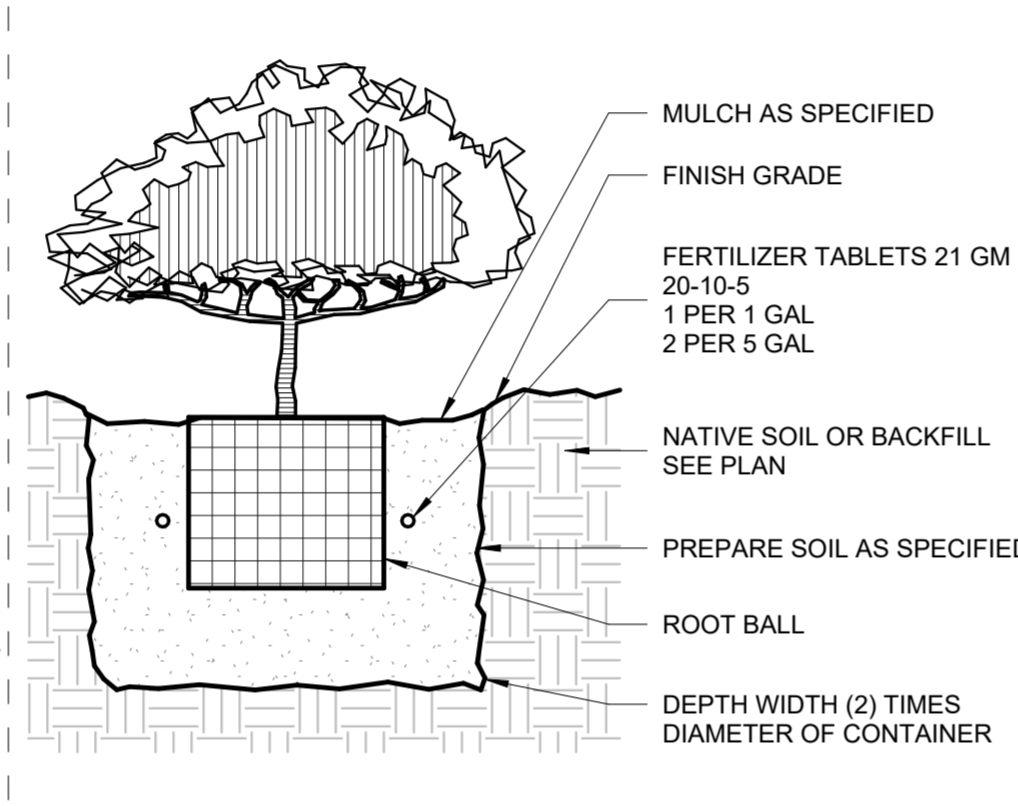
4 DRIP EMITTER
1/4" = 1'-0"



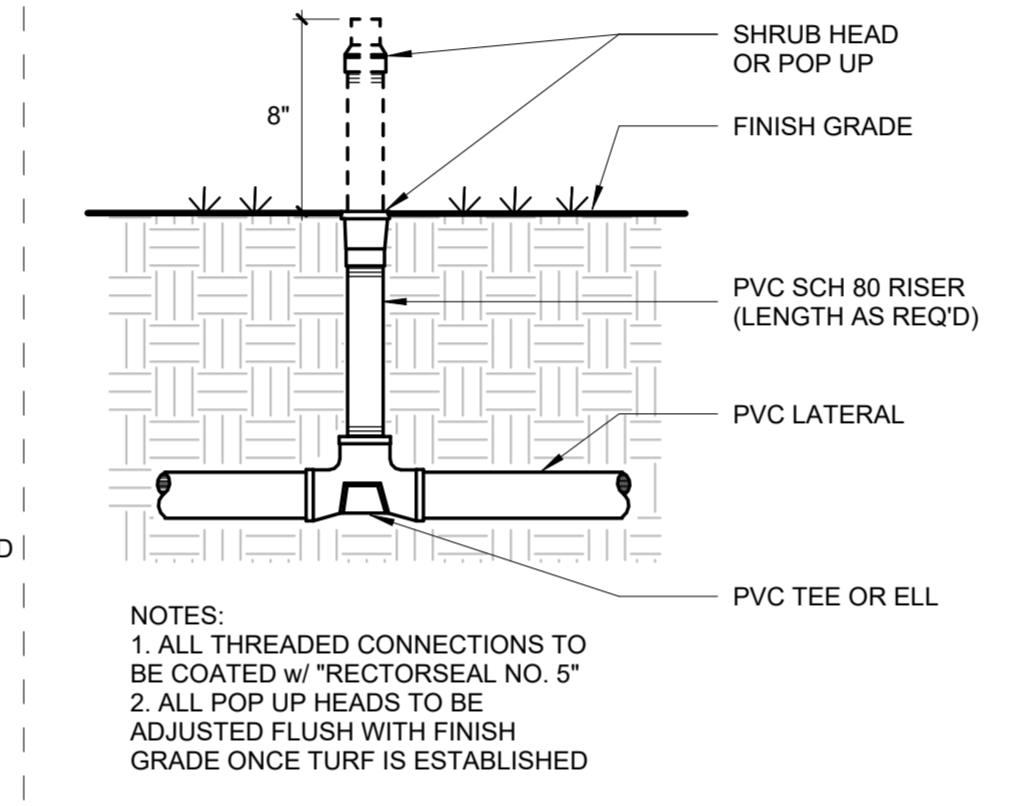
23 PLANTING IN HARDPAN
3/8" = 1'-0"



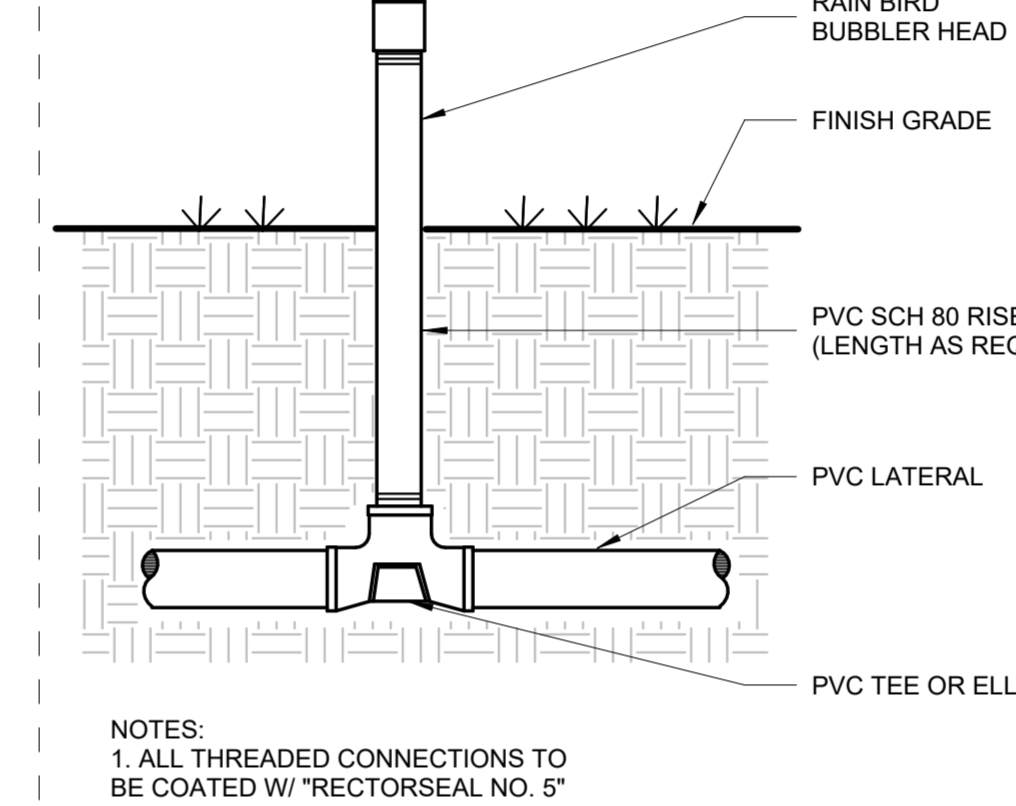
19 BOX TREES
NOT TO SCALE



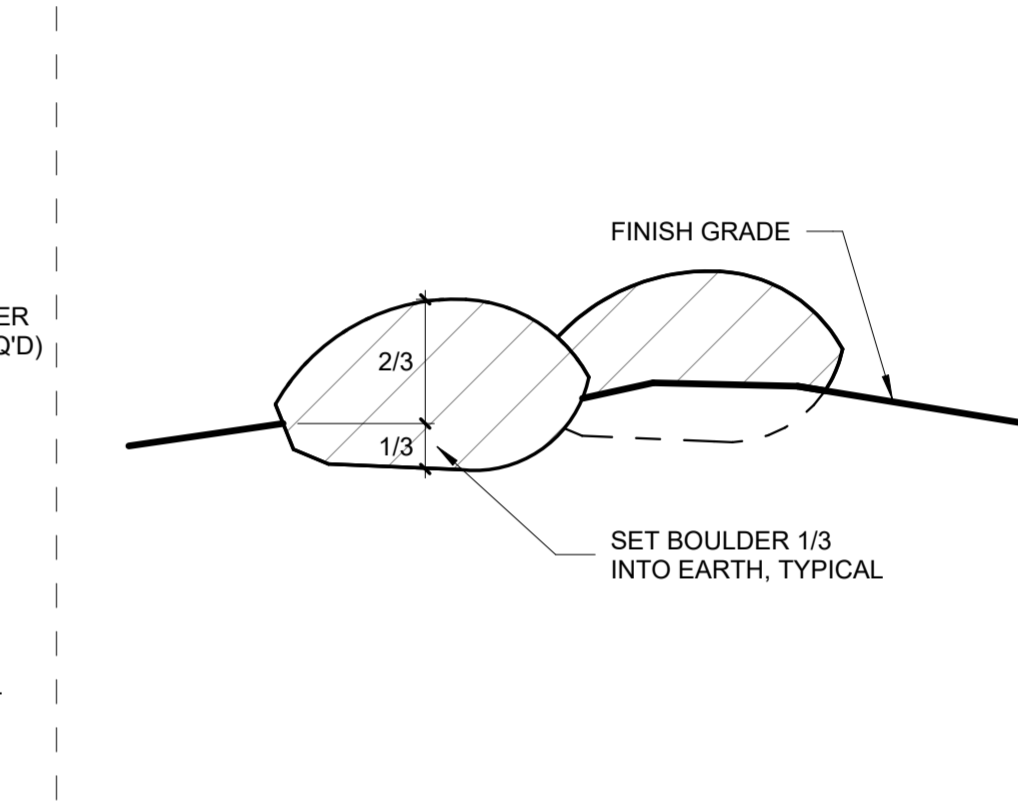
15 SHRUB PLANTING DETAIL
NOT TO SCALE



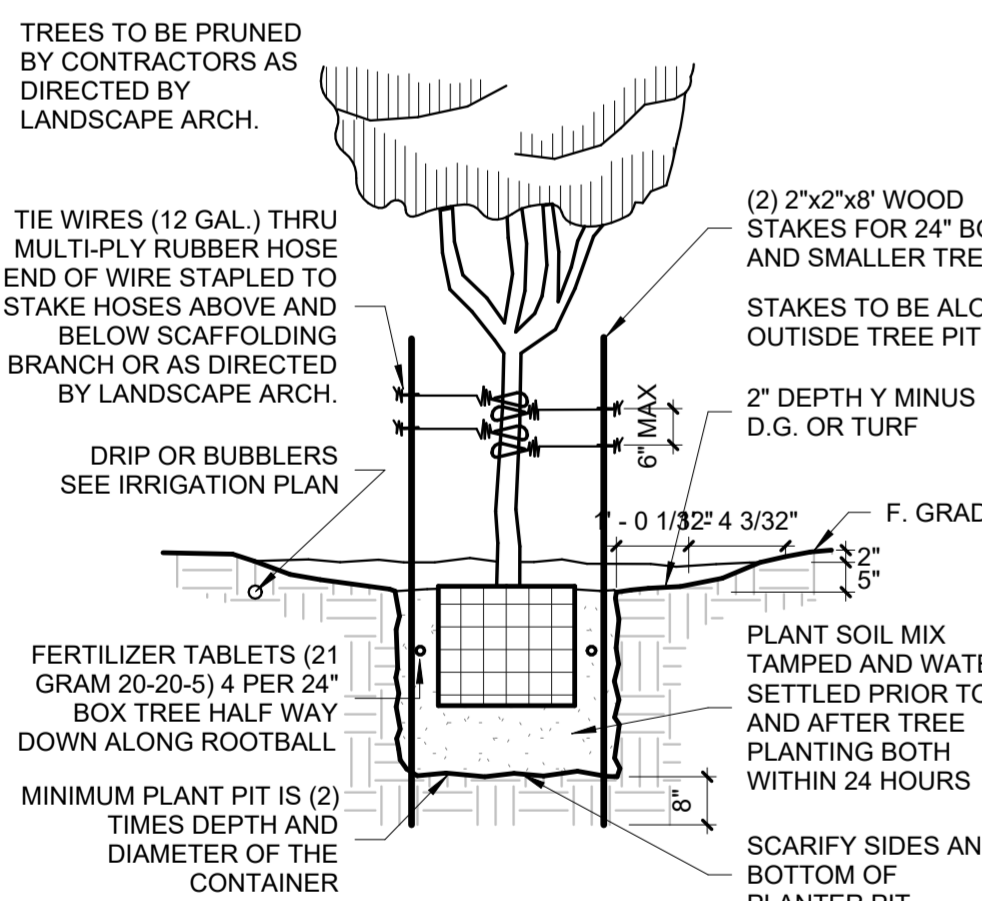
11 LAWN OR SHRUB HEAD
1 1/2" = 1'-0"



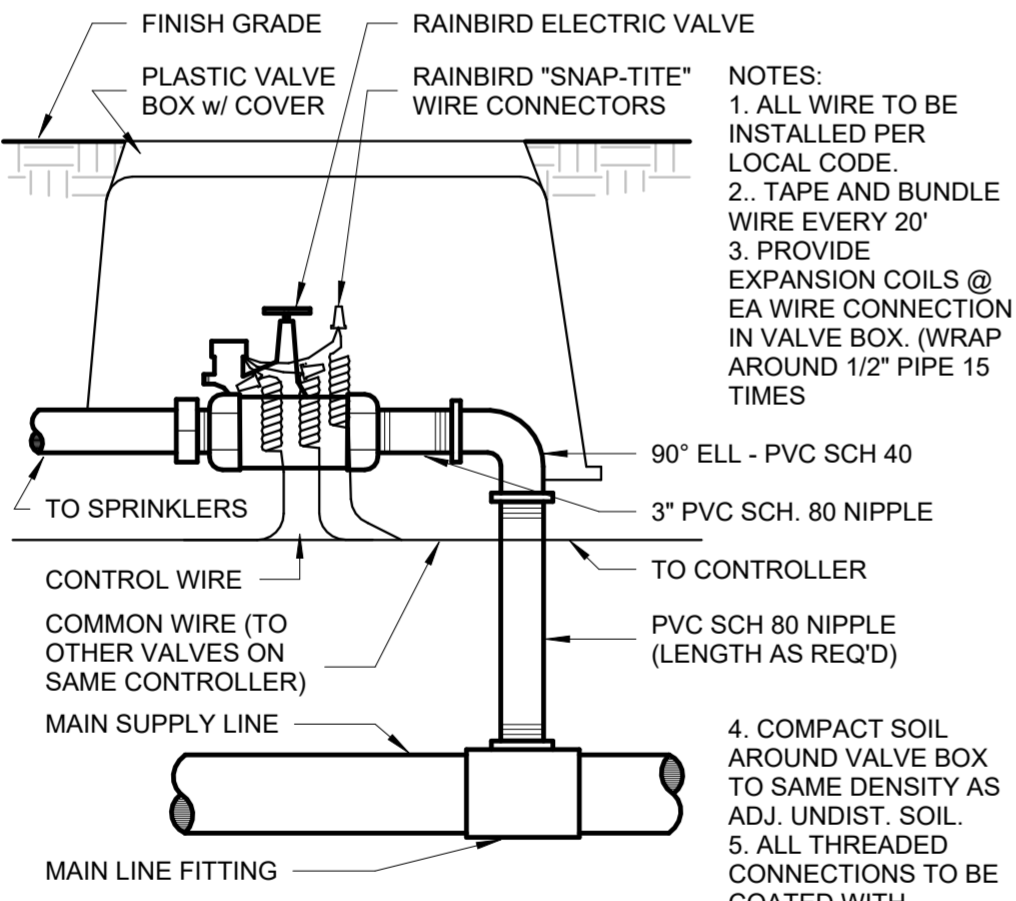
7 FLOOD BUBBLER
NOT TO SCALE



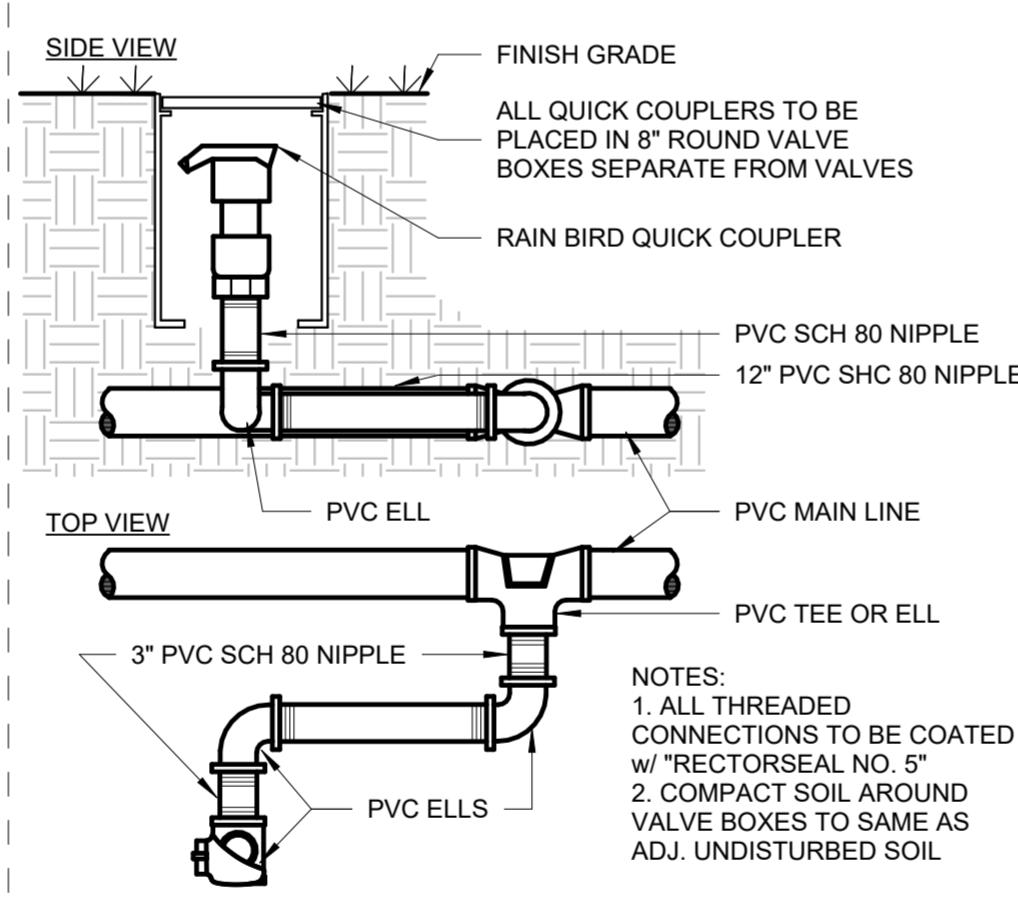
3 BOULDER PLACEMENT DETAIL
NOT TO SCALE



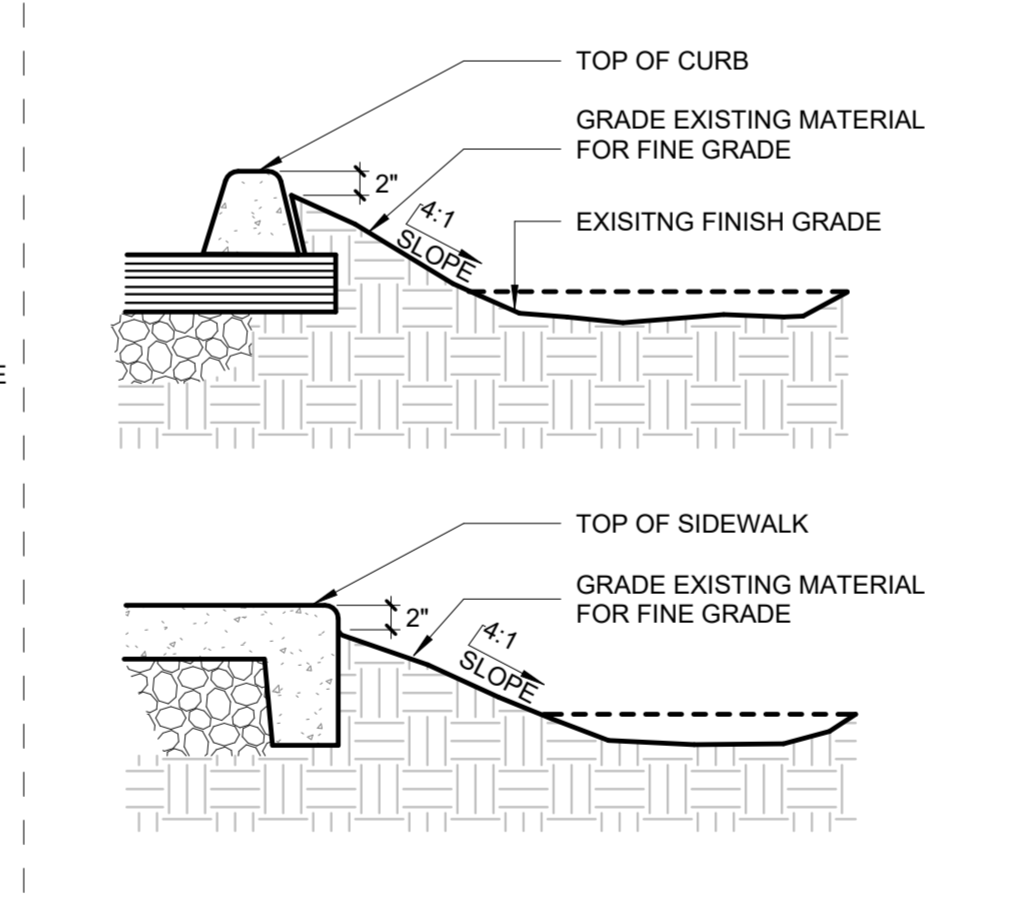
22 TREE PLANTING DETAIL
3/8" = 1'-0"



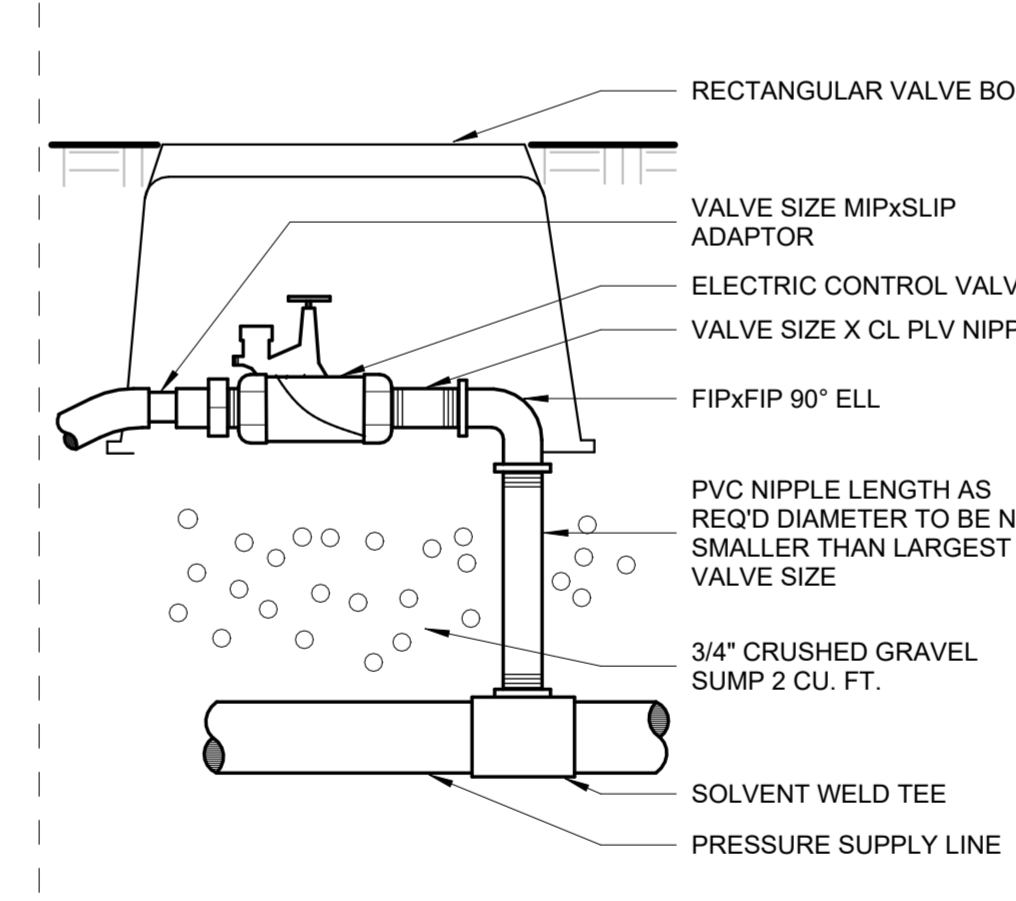
18 SOLENOID VALVE
NOT TO SCALE



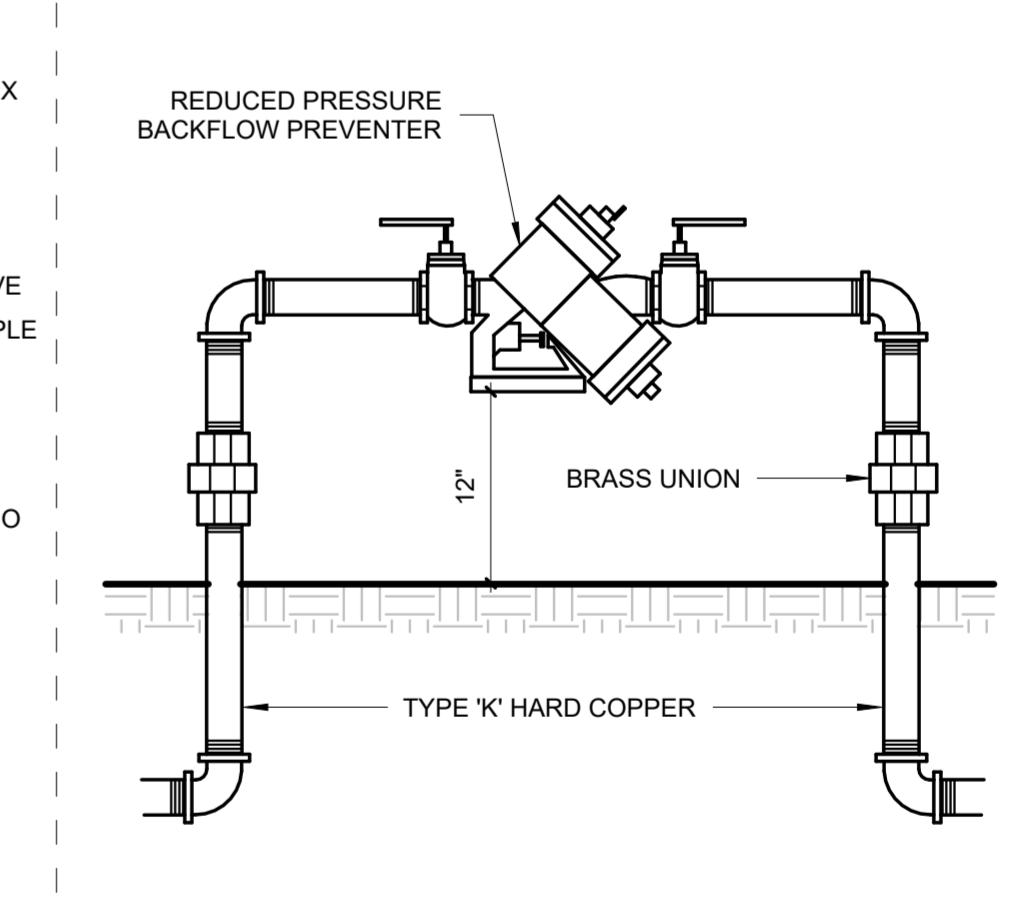
14 QUICK COUPLER VALVE
NOT TO SCALE



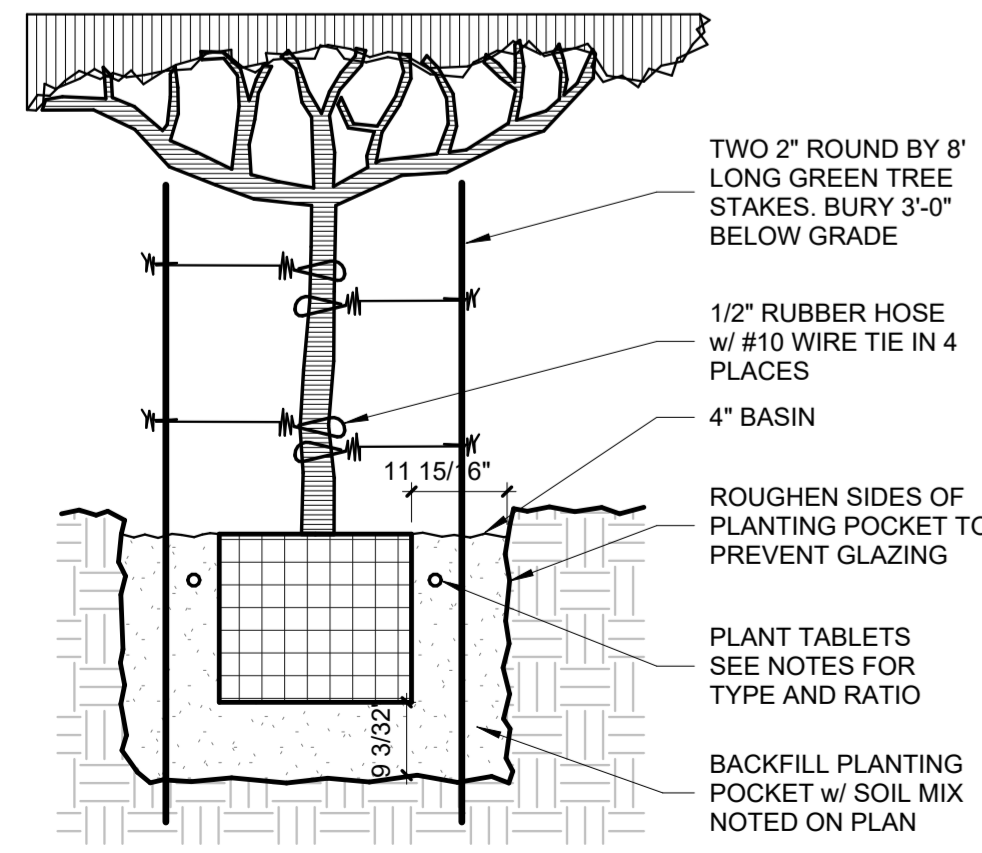
10 INCIDENTAL GRADING
3/4" = 1'-0"



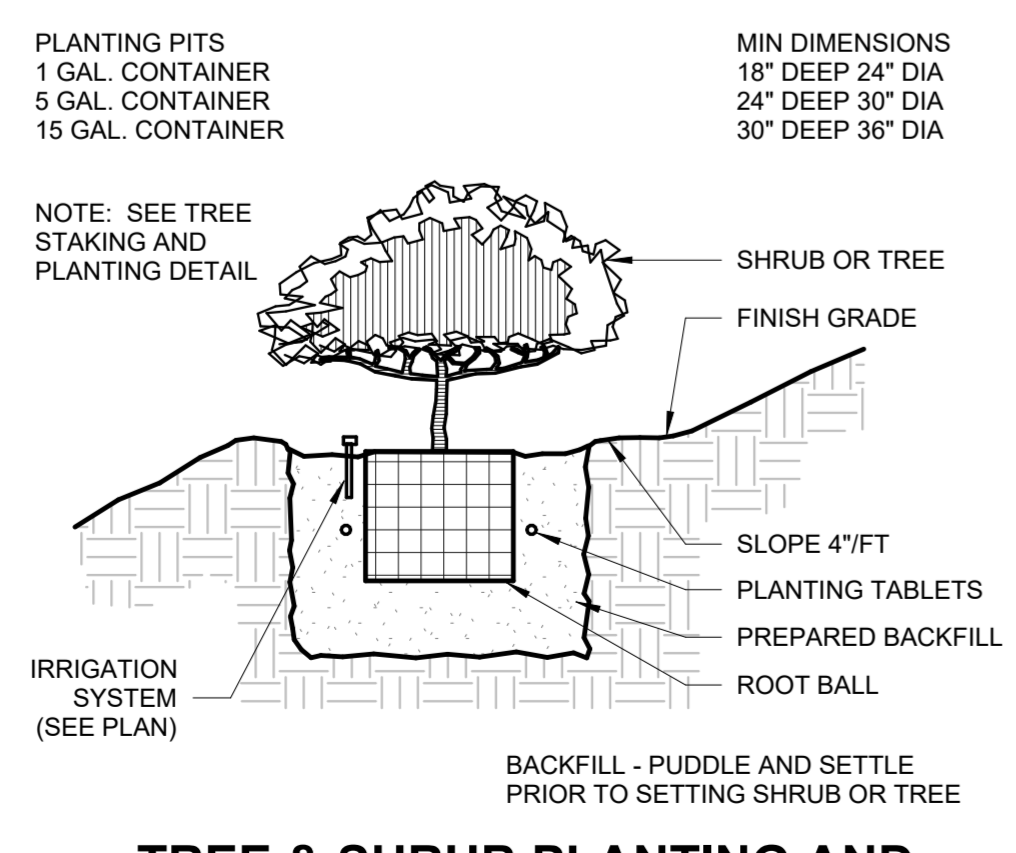
6 ELECTRIC CONTROL VALVE
NOT TO SCALE



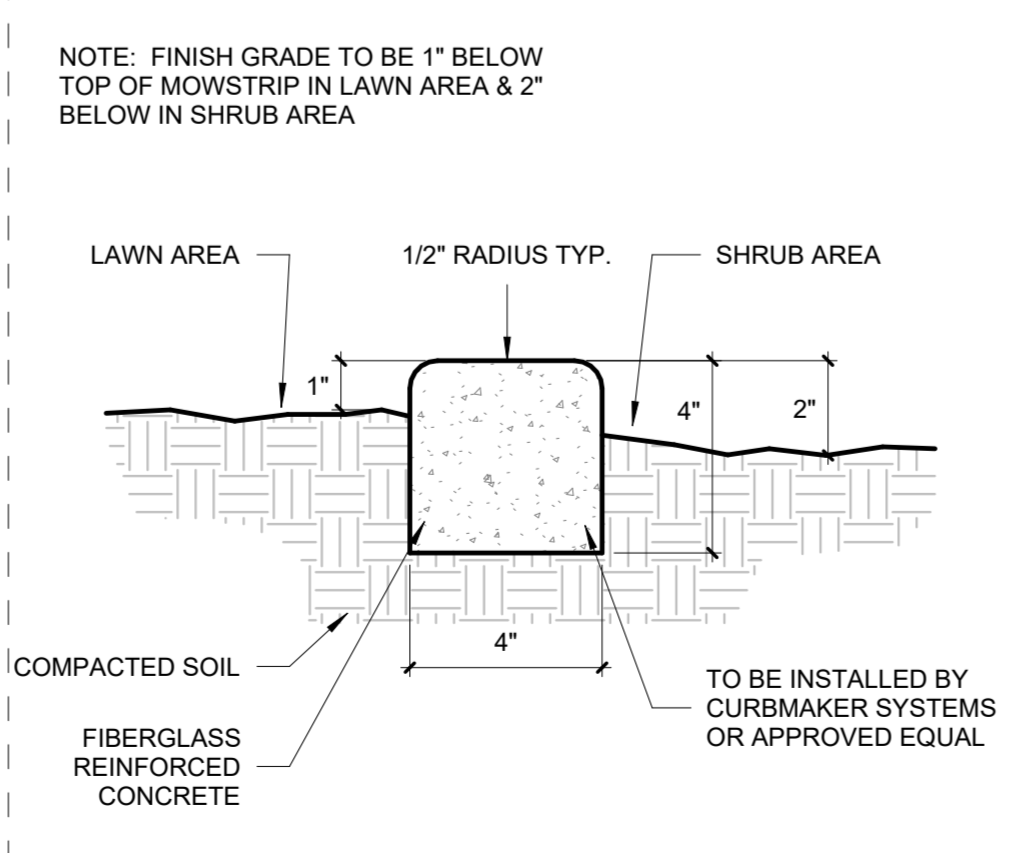
2 BACKFLOW PREVENTER
1" = 1'-0"



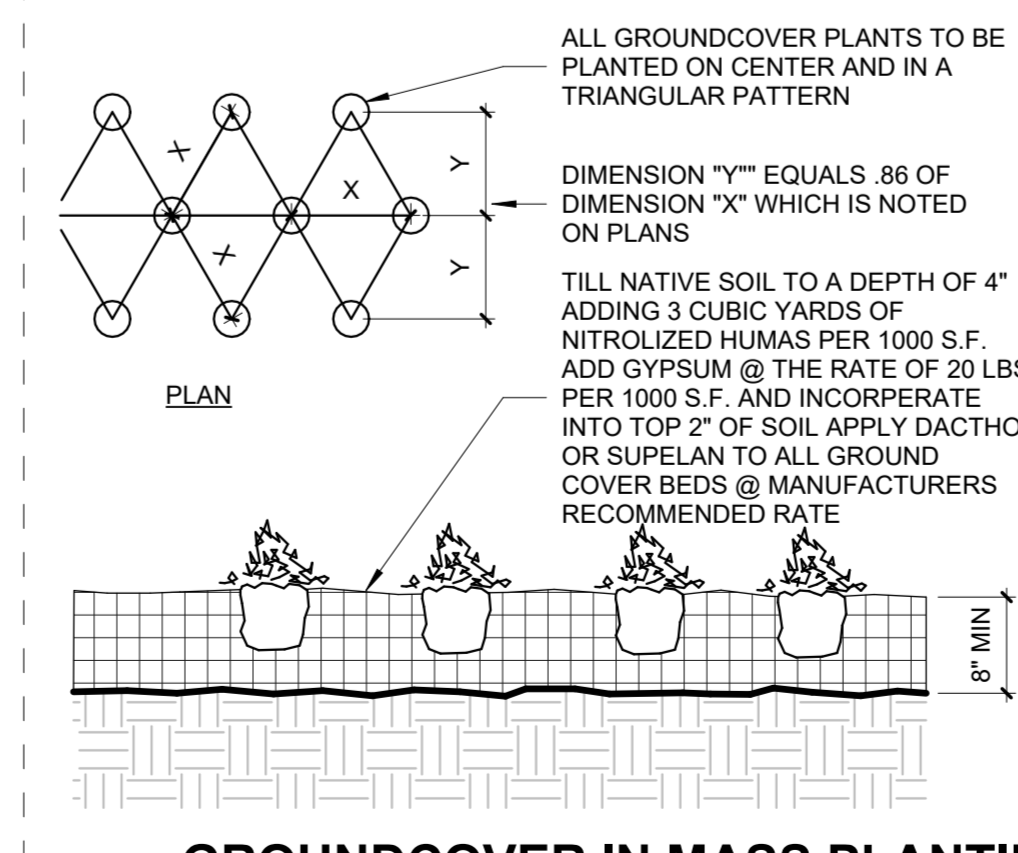
21 DOUBLE STAKE: 15 & 5 GAL.
1/2" = 1'-0"



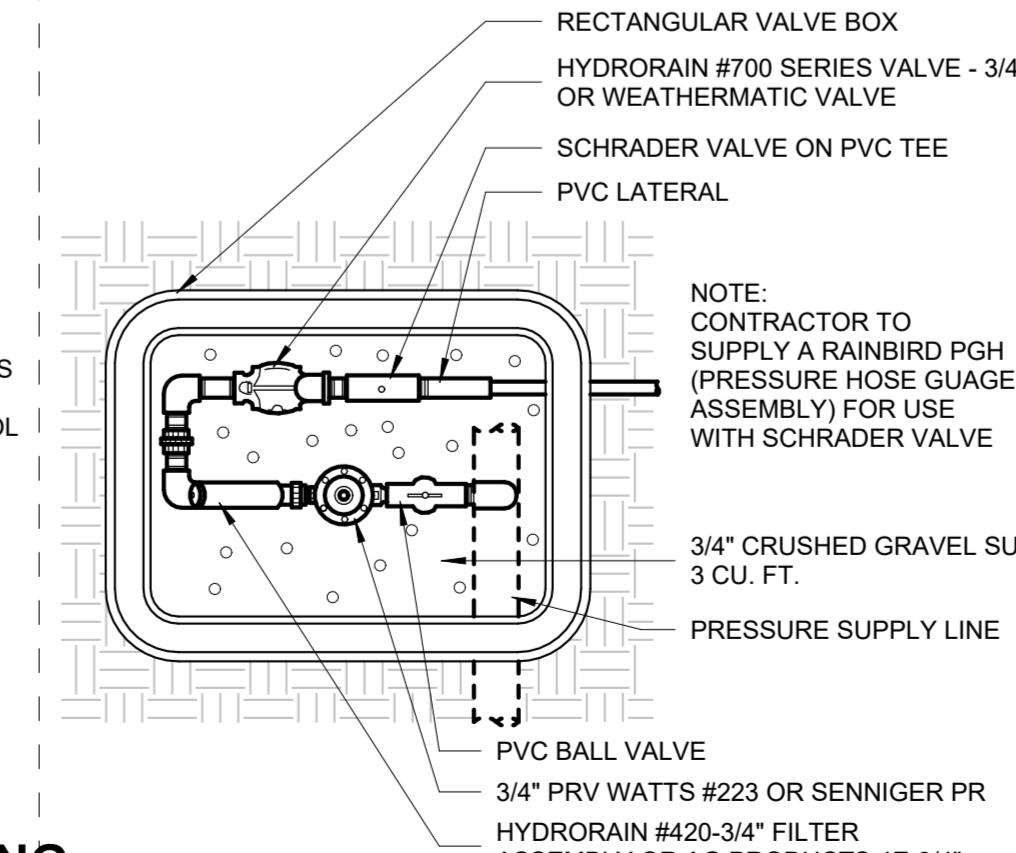
17 TREE & SHRUB PLANTING AND SUMP ON SLOPE
NOT TO SCALE



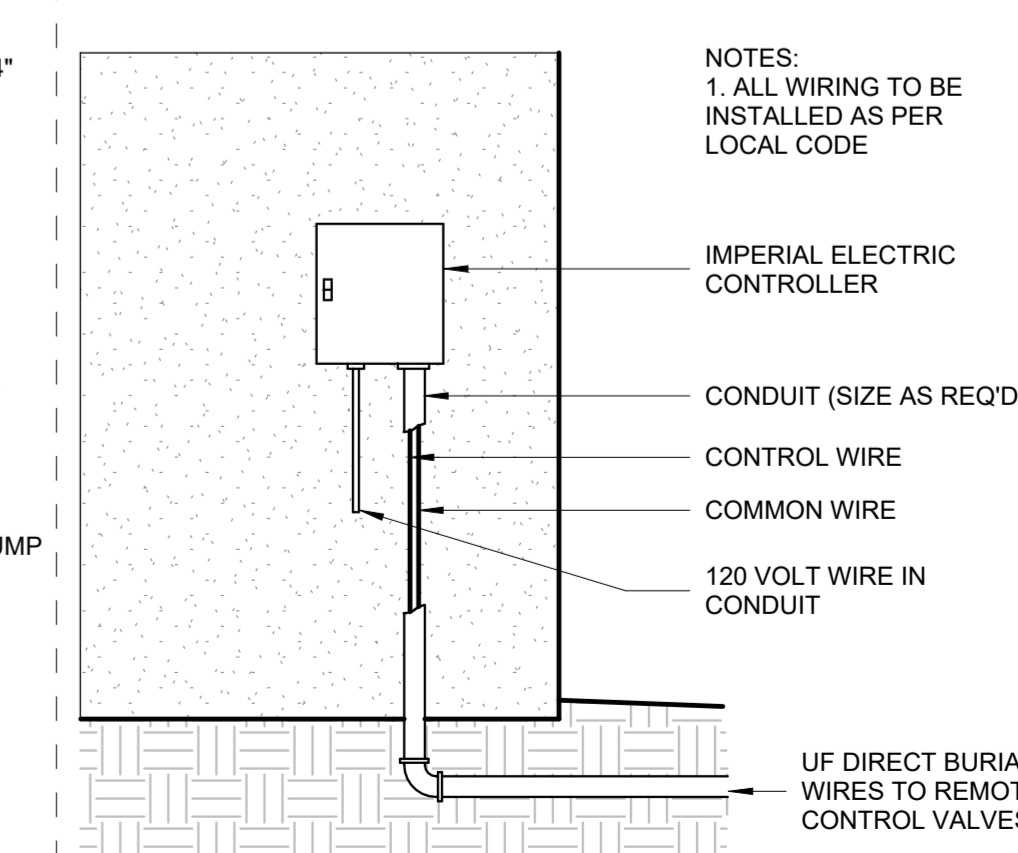
13 MOWSTRIP DETAIL
3" = 1'-0"



9 GROUNDCOVER IN MASS PLANTING AREAS
3/4" = 1'-0"



5 DRIP VALVE ASSEMBLY
NOT TO SCALE



1 WALL MOUNTED CONTROLLER
NOT TO SCALE

REECE AND ROWE ARCHITECTS, PLLC, EXPRESSLY RESERVES THE COMMON LAW COPYRIGHT AND OTHER PROPERTY RIGHTS IN THESE PLANS. THESE PLANS ARE NOT TO BE CHANGED OR COPIED IN ANY FORM OR MANNER WITHOUT THE WRITTEN PERMISSION OF REECE AND ROWE ARCHITECTS, PLLC. ©

**MOUNTAINVIEW CHURCH
NEW SANCTUARY**
2150 East Linda Vista Drive



4343 E. Avalon Drive
Phoenix, Arizona 85018
Phone: 602-957-4343
Fax: 602-957-7546

1254 W. University Ave #100
Flagstaff, Arizona 86001
Phone: 928-779-4340
Fax: 928-779-5087

REVISIONS:

DETAILS - LS -
LANDSCAPE
SCALE: As indicated
DATE: 2023-12-22
JOB NO: 21721