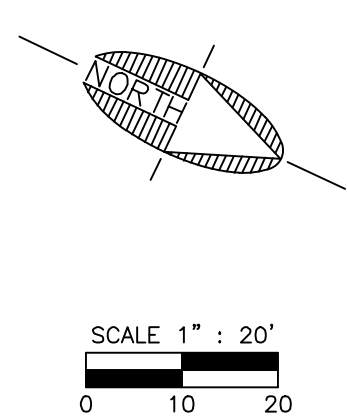
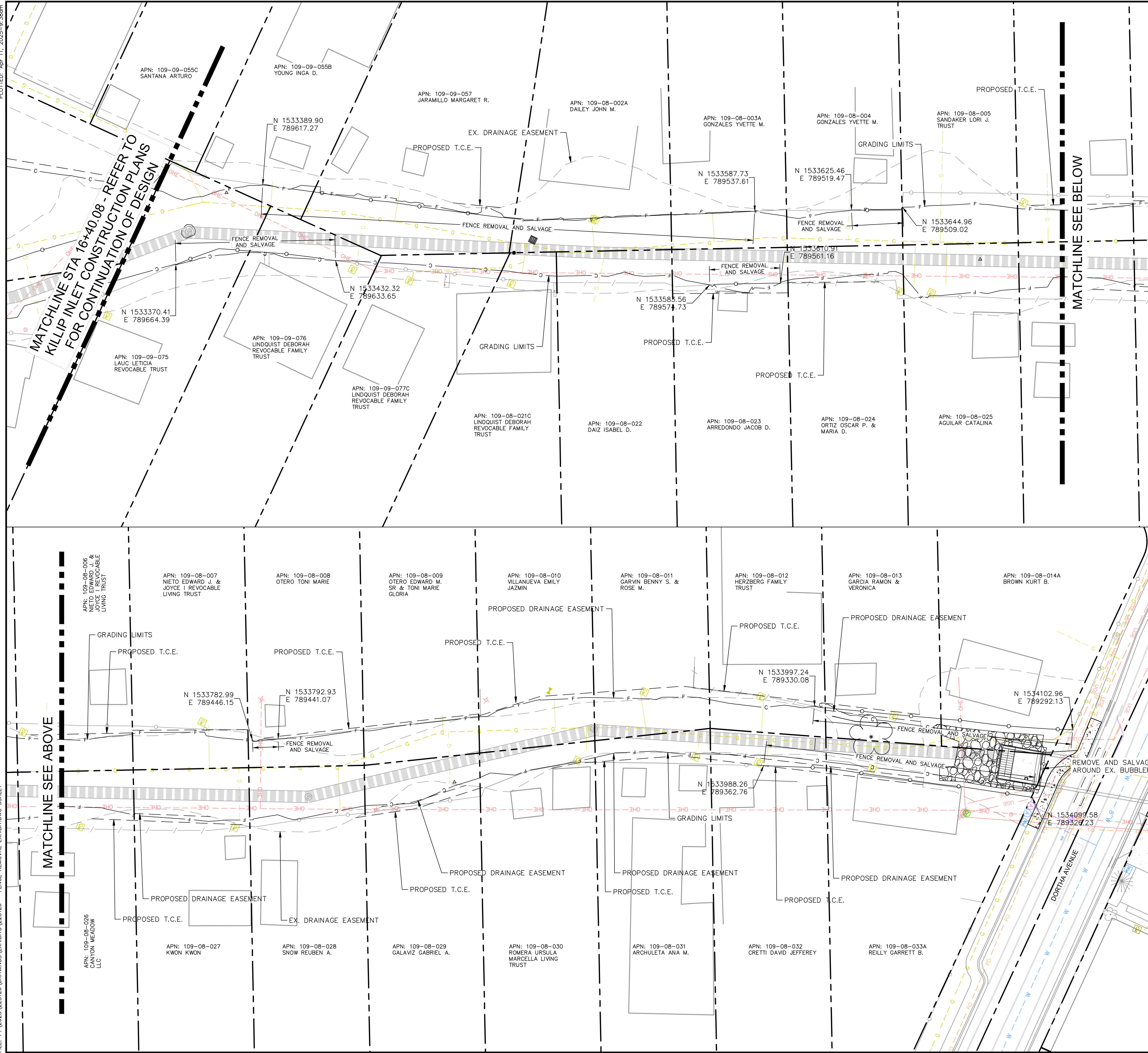


PLOTTED: Apr 11, 2025 - 9:38am

FILE: P:\2023\223126\DRAWINGS\EXHIBITS\223126 - FENCE REMOVAL EXHIBIT.DWG SSALLY



**90% DESIGN
PRELIMINARY**

NOT FOR CONSTRUCTION,
BIDDING OR RECORDING

JOB NO: 223126		DATE: JAN 2025		SCALE: AS SHOWN		DRAWN: SPS		DESIGN: KMF/SPS		CHECKED: KMF/RLS	
124 N. Eldon Street Flagstaff, AZ 86001 928.774.4636 www.ardurra.com											
WOODSON ENGINEERING & SURVEYING An ARDURRA Company											
SPRUCE WASH - ARROYO TO DORTHA CHNL FLAGSTAFF ARIZONA DEMOLITION PLAN											
NO.	DESCRIPTION	DATE	BY								
Call at least two full working days before you begin excavation. ARIZONA811 Arizona Blue Stake, Inc. (928-5348) 088 8-1-1 or 1-800-514-1111 (928-5348)											
DRAWING NO. DM01											
SHT NO. 5					OF 12						

C.O.F. #PZ-21-00236