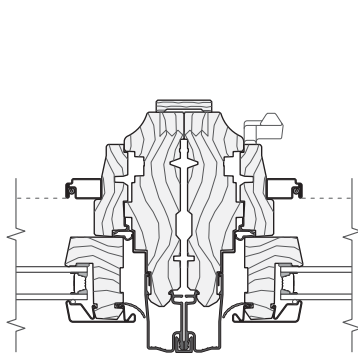
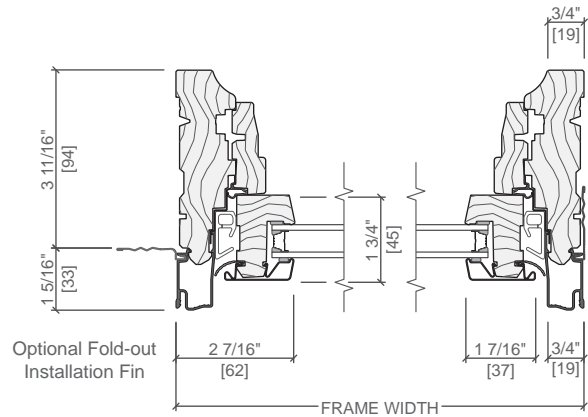
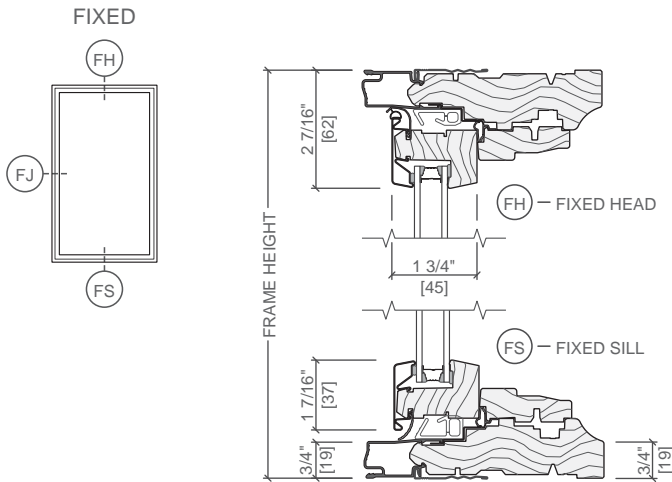
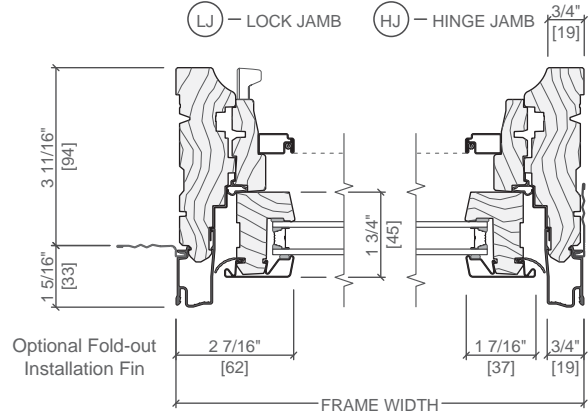
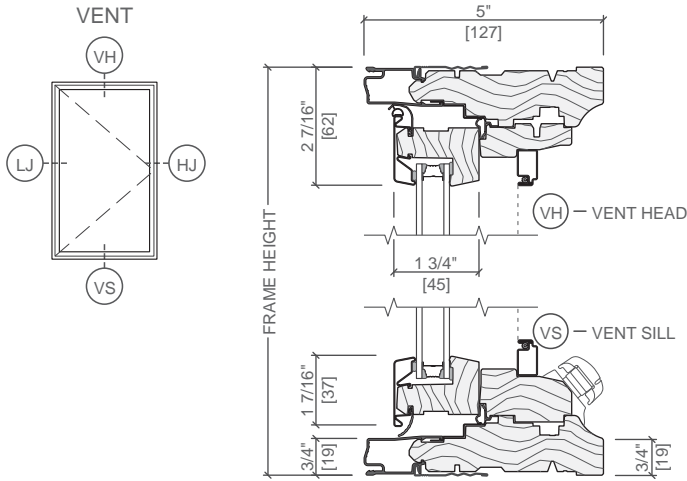


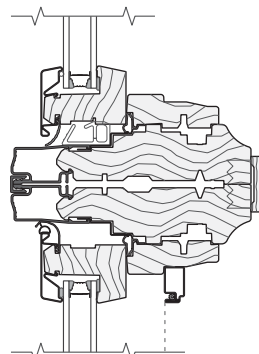


Lifestyle Series Casement

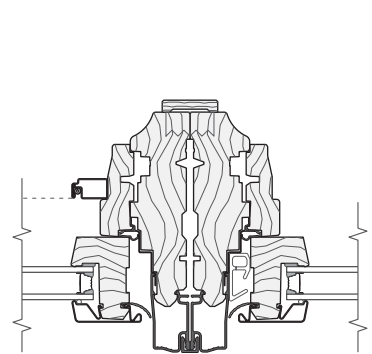
Unit Sections - Dual-Pane



VERTICAL JOINING MULLION
VENT / VENT



HORIZONTAL JOINING MULLION
FIXED / VENT



VERTICAL JOINING MULLION
VENT / FIXED

Scale 3" = 1' 0"

All dimensions are approximate.

See supporting document Combination Recommendations for mullion limitations and reinforcing requirements.