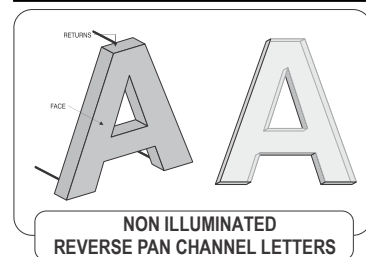
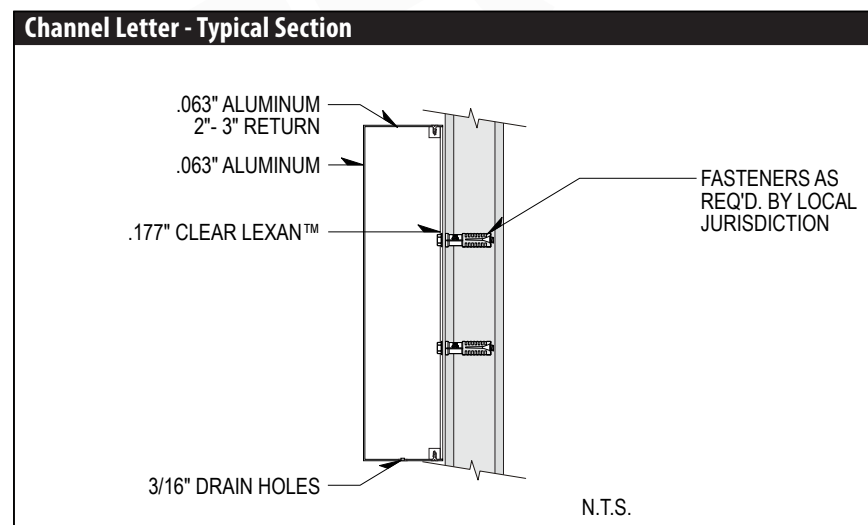
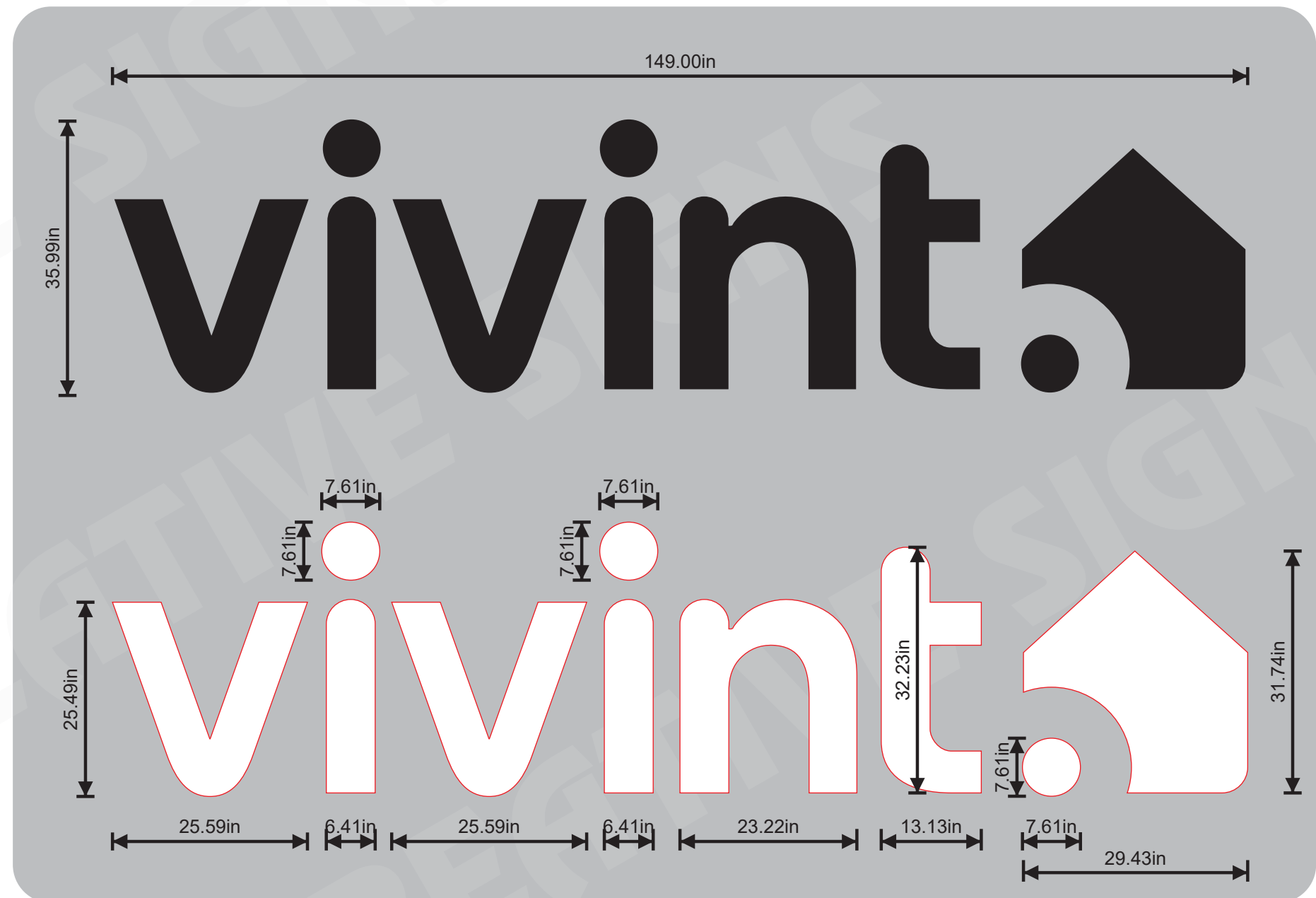


SPECIFICATIONS FOR FABRICATION AND INSTALLATION:

- Non-Illuminated Aluminum channel letters built to UL specifications
- Depth of signage: 2"-3"
- Face type: Aluminum
- Mounting Method: Direct Mounted

FLAGSTAFF LETTERS



28926-Exterior Signage

- Sign Square Footage: 37.25 Sq. Ft.
- Sign Estimated Height From Ground: 8' - 10" Estimated



CREATIVE SIGNS

2333 N 200 E
Spanish Fork, UT 84660

801-798-9892
creativesigns.com

