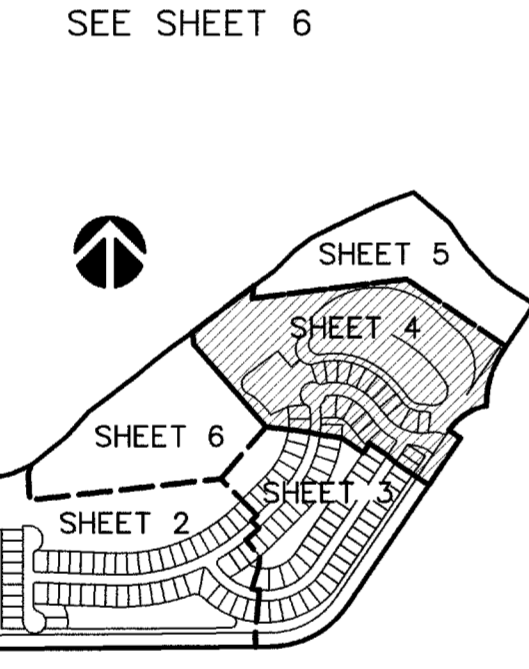
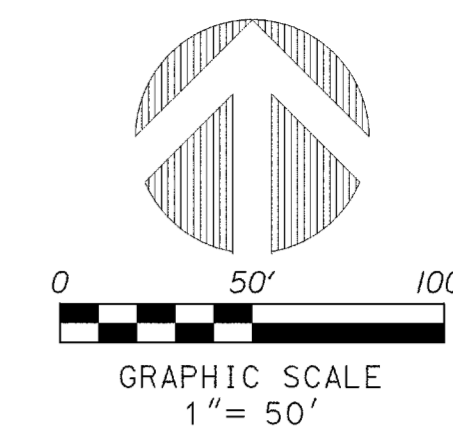


CARRIAGE POINTE ESTATES

A PORTION OF SECTION 30, TOWNSHIP 35 SOUTH, RANGE 40, EAST
CITY OF FT. PIERCE, ST. LUCIE COUNTY, FLORIDA.
JUNE, 2014

PERIMETER

SURVEYING & MAPPING
Prepared by: Jeff S. Hodapp, P.S.M.
Certificate of Authorization No. LB7264
949A Clint Moore Road
Boca Raton, Florida 33487
Tel: (561) 241-9988
Fax: (561) 241-5182



- LEGEND:
- ⊙ P.C.P. STAMPED •LB7264
 - ⊖ CENTERLINE
- ABBREVIATIONS:
- AC. ACRES
 - CH CHORD BEARING
 - CONC. CONCRETE
 - COR. CORNER
 - D DELTA (CENTRAL ANGLE)
 - D.E. DRAINAGE EASEMENT
 - L ARCLength
 - L.B. LICENSED BUSINESS
 - L.E. LANDSCAPE EASEMENT
 - L.M.E. LAKE MAINTENANCE EASEMENT
 - L.S. LICENSED SURVEYOR
 - L.S.E. LIFT STATION EASEMENT
 - MON. MONUMENT
 - NAVD NORTH AMERICAN VERTICAL DATUM
 - NGVD NATIONAL GEODETIC VERTICAL DATUM
 - O.R.B. OFFICIAL RECORDS BOOK
 - (NR) NON-RADIAL
 - P.A.E. PEDESTRIAN ACCESS EASEMENT
 - P.B. PLAT BOOK
 - P.G. PAGE
 - P.C.P. PERMANENT CONTROL POINT
 - P.C.B. POINT OF BEGINNING
 - P.O.C. POINT OF COMMENCEMENT
 - P.R.M. PERMANENT REFERENCE MONUMENT
 - P.S.M. PROFESSIONAL SURVEYOR & MAPPER
 - R RADIUS
 - R/W RIGHT-OF-WAY
 - SEC. SECTION
 - SF SQUARE FEET
 - S.L.C.R. ST. LUCIE COUNTY RECORDS
 - (TYP) TYPICAL
 - U.E. UTILITY EASEMENT
 - WMOE WATER, MAINTENANCE & OVERHANG EASEMENT

CURVE TABLE

NO.	RADIUS	ARCLength	DELTA	CHORD BEARING	CHORD
C1	347.00'	60.03'	09°54'45"	N49°50'24"W	59.96'
C2	480.00'	79.40'	09°28'38"	N40°08'42"W	79.31'
C3	248.78'	177.24'	40°49'09"	N55°48'58"W	173.51'
C4	322.41'	93.37'	16°35'34"	N84°31'19"W	93.04'
C5	50.00'	32.82'	37°36'30"	N74°00'51"W	32.23'

