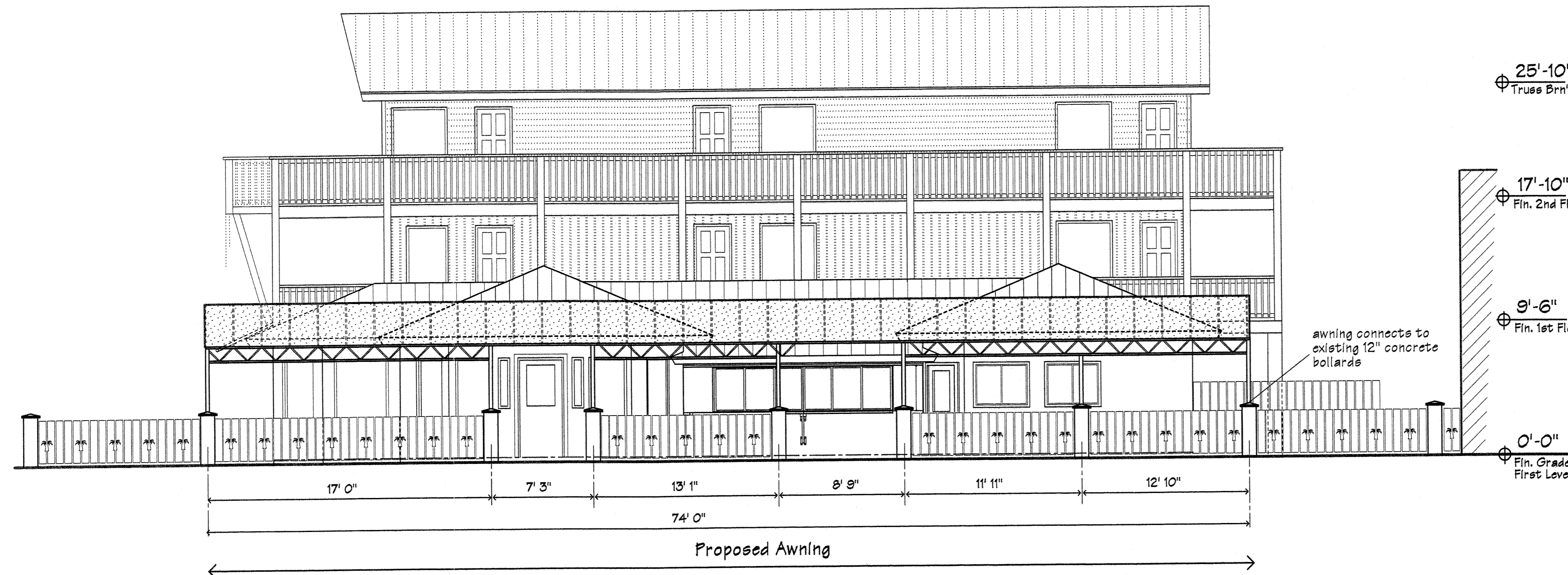


A
D-1 5 Bicycle Rack Detail
Four (4) Units required
parkitbikeracks.com (877) 249-0479

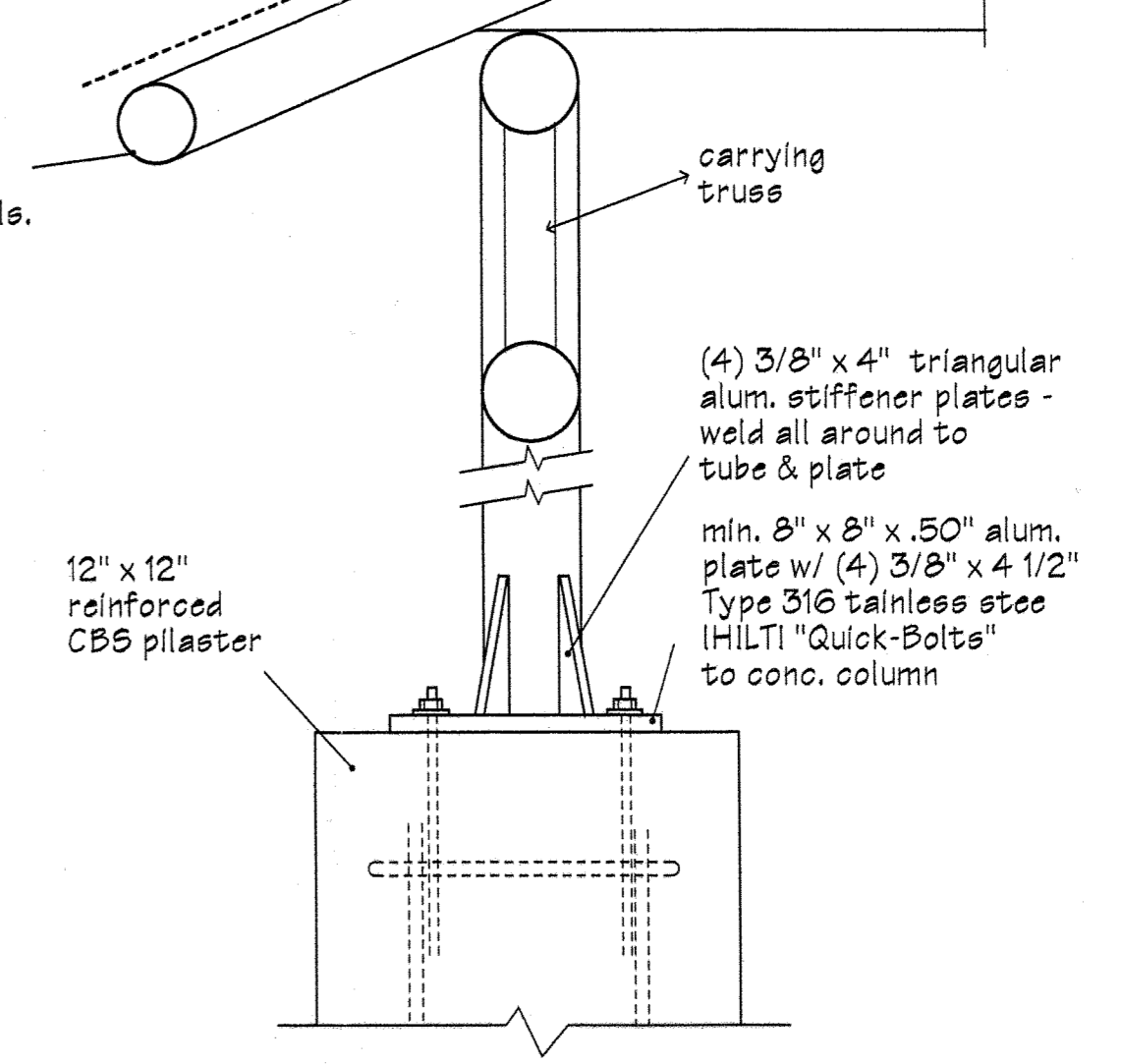
Existing structure to remain, minor refurbishment only
Install NFPA 13 - R Automatic Fire Sprinkling System, upgrade Fire Alarm & Detection System

Reconfigure Existing 1st Level Restaurant
Install NFPA 13 Automatic Fire Sprinkling System, In Restaurant - upgrade Fire Alarm & Detection System

East Elevation
Scale - 3/16" = 1' 0"



engineered alum. awning frame - 6061-T-6 alloy - hell-arc welded, fasten to top of cols. w. min (4) 3/8" x 6" stainless steel anchor bolts cast into top of conc. col.



Awning Connection
FBC 160 mph - Exposure "D"

North Elevation
Scale - 3/16" = 1' 0"

FBC 2010/12 "Existing"
Alteration Level 2
ASCE 7-10 Risk Category 2
160 mph - Exposure "D"

VERIFY ALL DIMENSIONS ON-SITE

These drawings as instruments of service are the property of the Architect whether the project for which they are prepared or not. They shall not be used for other projects except by written agreement. Copyright © 2014 John M. Foster - Architect All rights reserved.

Date	By	Description
08/28/14	JMF	Issued for Review

John M. Foster - Architect
Member - American Institute of Architects - LEED AP
11205 Ridge Avenue Ft. Pierce, Florida 34962
(772) 370-9464 - Florida Registration No. 9511
jmfarch@gmail.com

Renovation Plans - Alteration Level 2
INLET BEACH RESORT
110 S. Ocean Drive, Ft. Pierce, Florida

Sheet
A-1
of

