



FOLLANSBEE STEEL SIDING:
AEGEAN BLUE



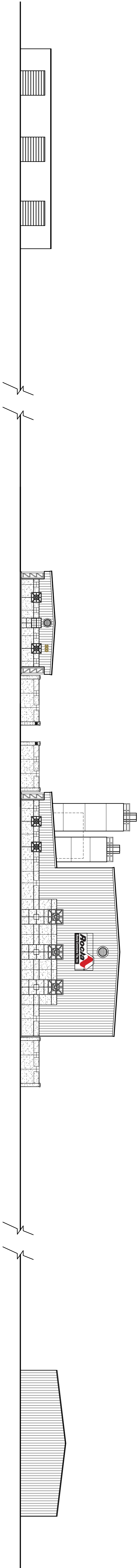
PPG PAINTS: STONINGTON
416-4



PPG PAINTS: MOUNTAIN GRAY
416-1

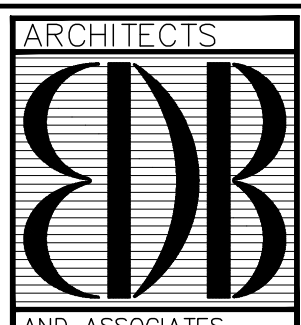


RENDERED ELEVATION
SCALE 1/8" = 1'-0"



SITE CONTEXT ELEVATION
SCALE 1" = 20'

EDLUND · DRITENBAS · BINKLEY
ARCHITECTS AND ASSOCIATES, P.A.
AR-AA C000886
65 ROYAL PALM POINTE, SUITE "D"
VERO BEACH, FLORIDA 32960
PHONE: (772) 569-4320



SEAL:

PROJECT: **ROCLA TIE PLANT**

FOR: ROCLA CONCRETE TIE, INC.
600 SOUTH 3RD STREET
FORT PIERCE, FL 34950

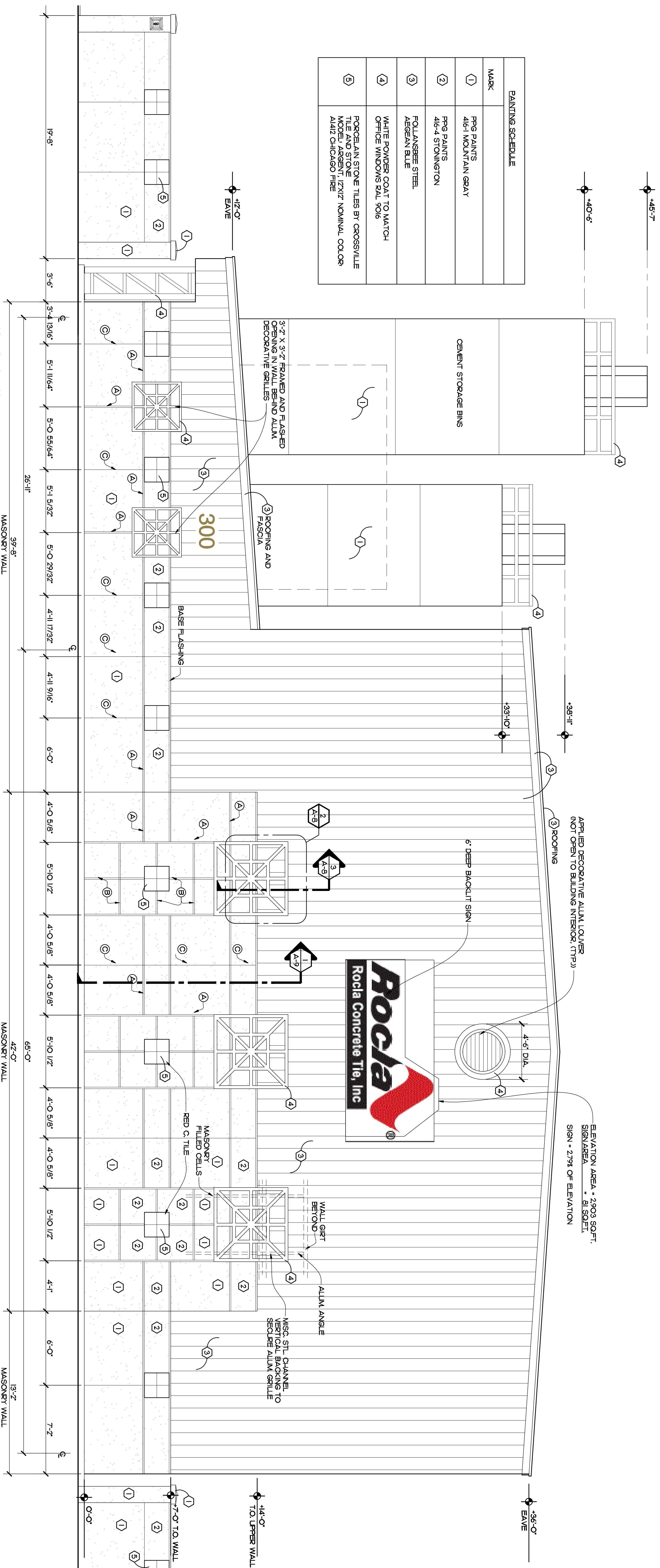
NO.	DATE	REVISIONS

© M.A.D. IS. 2018. THIS PLAN AND ALL OTHER DOCUMENTS ARE THE PROPERTY OF EDLUND · DRITENBAS · BINKLEY AND ASSOCIATES, P.A. AND ARE TO BE USED ONLY FOR THE PROJECT AND SITE SPECIFICALLY IDENTIFIED HEREIN. ANY REUSE OR REPRODUCTION OF THIS DOCUMENT WITHOUT THE WRITTEN PERMISSION OF EDLUND · DRITENBAS · BINKLEY AND ASSOCIATES, P.A. IS STRICTLY PROHIBITED.

CONTRACT NO.: 2024/AB
DATE: 23 MAR 25
BY: AD
CHKD: PD

SHEET NO.
DR-2
OF TWO

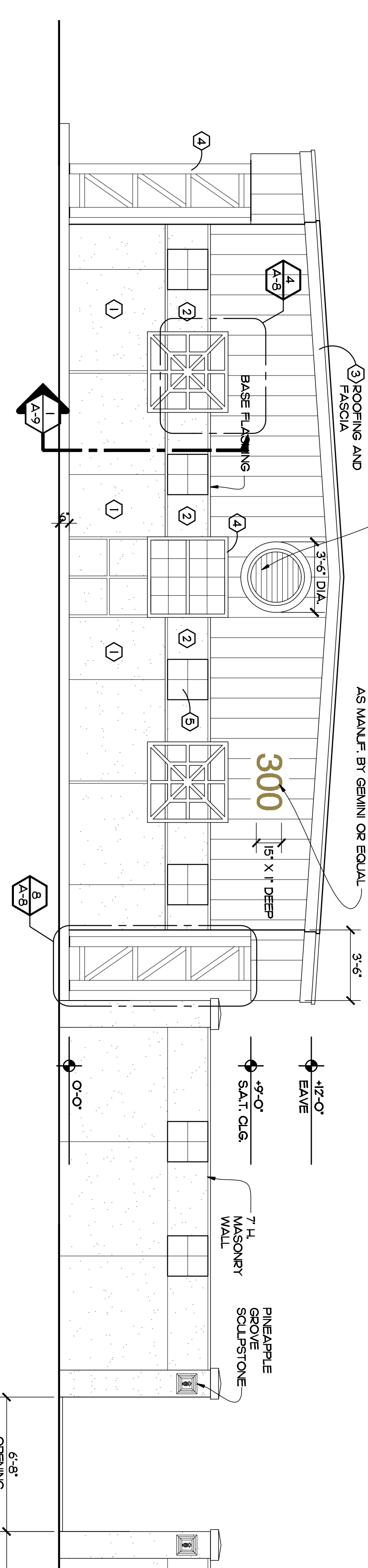
PAINTING SCHEDULE	
MARK	
①	PPG PAINTS 4161 MOUNTAIN GRAY
②	PPG PAINTS 416-4 STONINGTON
③	FOLLANSBEE STEEL AEGEAN BLUE
④	WHITE POWDER COAT TO MATCH OFFICE WINDOWS 2AL 2016
⑤	PORCELAIN STONE TILES BY CROSSVILLE 16" X 20" 12X12 NOMINAL COLOR: AA12 CHICAGO FIRE



- CONTROL JOINT SCHEDULE
- Ⓐ VINYL CORP SLIP JOINT EXPANSION JOINT W/ 1 1/2" REVEAL #4058-150 W/ 3/8" GROUND
 - Ⓑ VINYL CORP CHANNEL REVEAL #C558-150 W/ 1 1/2" REVEAL W/ 3/8" GROUND
 - Ⓒ VINYL CORP CONTROL JOINT #1569X W/ 3/8" GROUND AND REMOVABLE TAPE

HELVETICA ALUM. HOUSE NUMBERS, COLOR OLD COPPER AS MANUF. BT GEMINI OR EQUAL.

APPLIED DECORATIVE ALUM. LOUVER NOT OPEN TO BUILDING INTERIOR (TYP)



WEST ELEVATION - PLANT
SCALE 1/4" = 1'-0"

WEST ELEVATION - OFFICE
SCALE 1/4" = 1'-0"

EAST ELEVATION - OFFICE
SCALE 1/4" = 1'-0"

EDLUND • DRITENBAS • BINKLEY
ARCHITECTS AND ASSOCIATES, P.A.
AR-AA C000886
65 ROYAL PALM POINTE, SUITE "D"
VERO BEACH, FLORIDA 32960
PHONE: (772) 569-4320



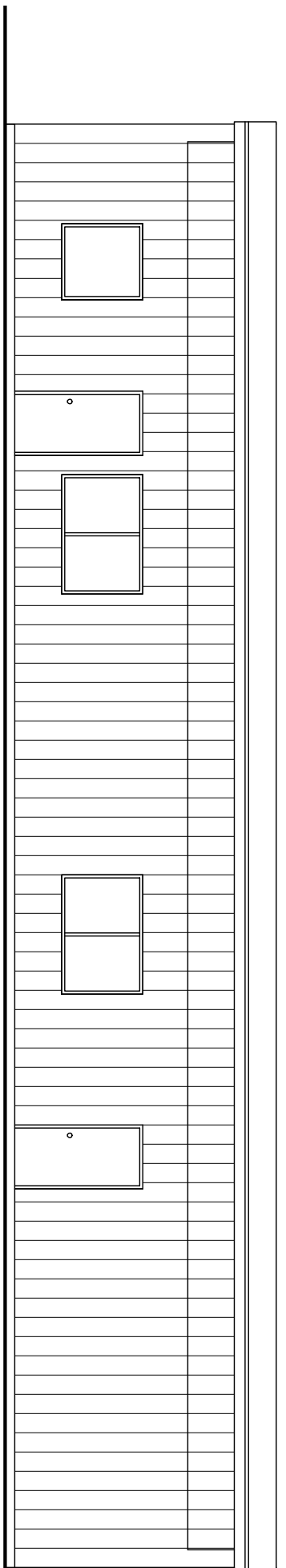
SEAL:

PROJECT: **ROCLA TIE PLANT**
FOR: ROCLA CONCRETE TIE, INC.
600 SOUTH 3RD STREET
FORT PIERCE, FL 34950

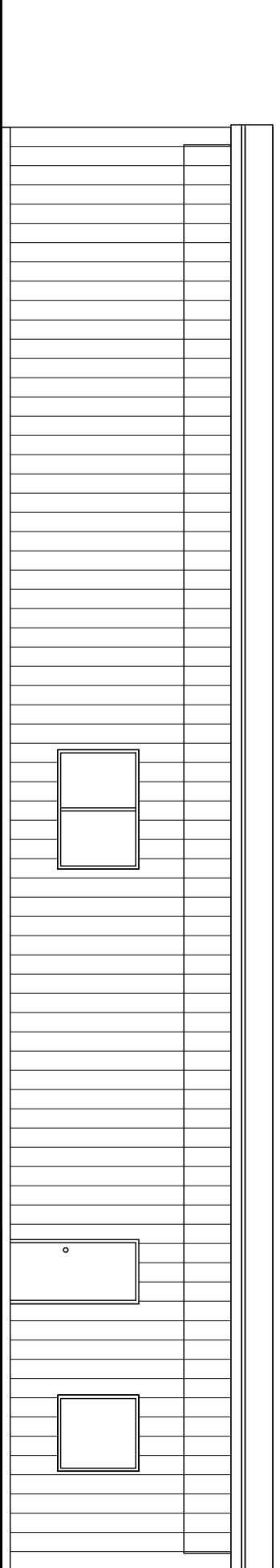
NO.	DATE	REVISIONS

CONAL NO: 102418
DATE: 12/11/15
BY: JMS
CHKD: PJD

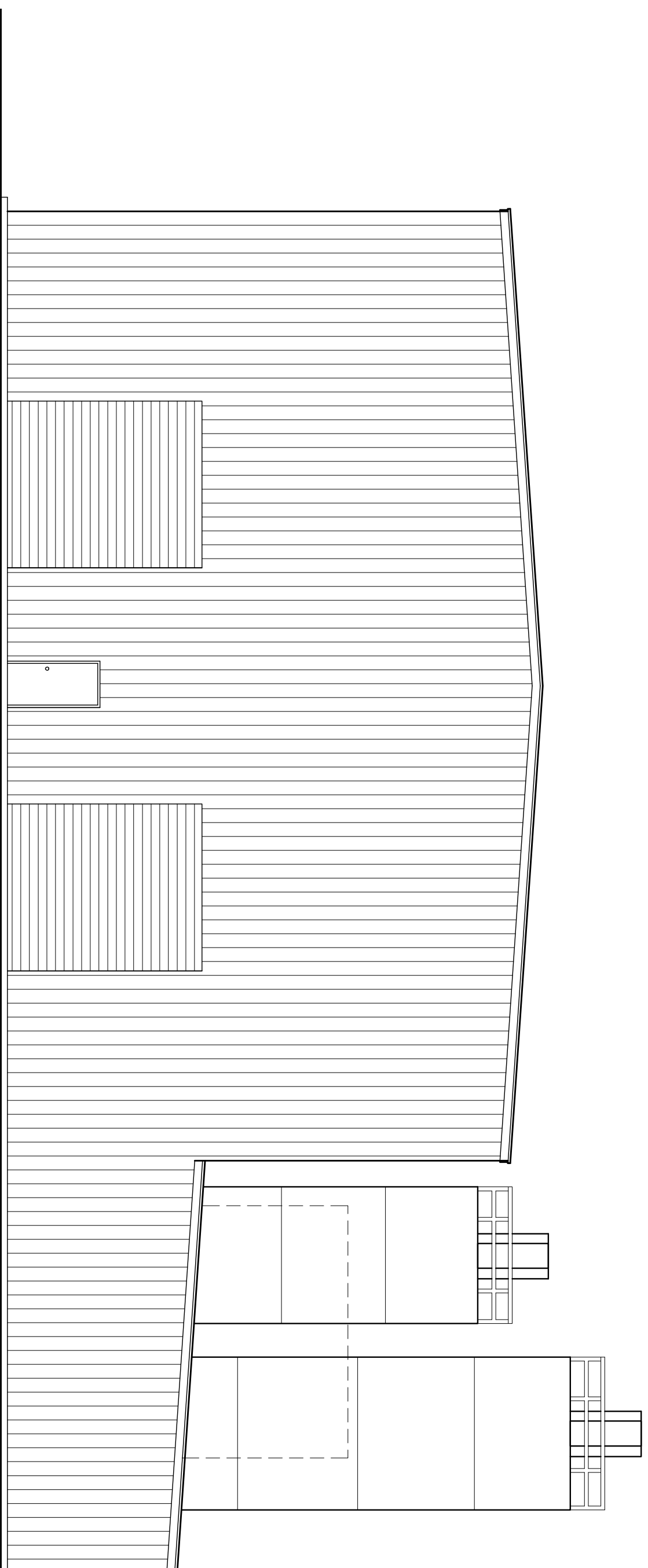
SHEET NO. **A-3**
OF NINE



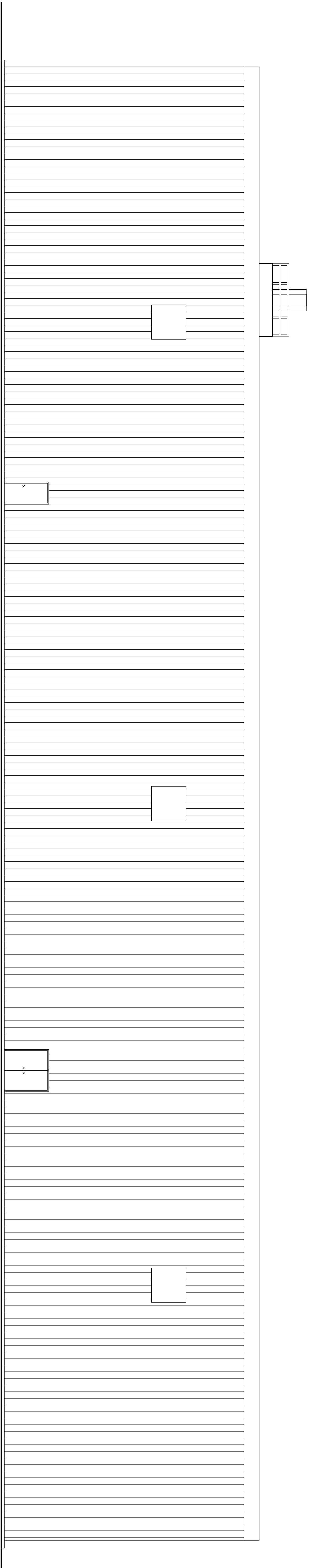
SOUTH ELEVATION - OFFICE
SCALE 1/8" = 1'-0"



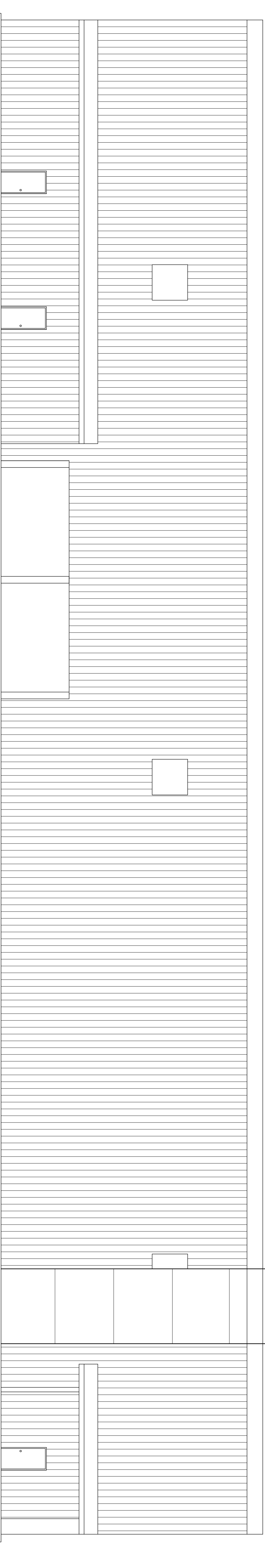
NORTH ELEVATION - OFFICE
SCALE 1/8" = 1'-0"



EAST ELEVATION - PLANT
SCALE 1/8" = 1'-0"

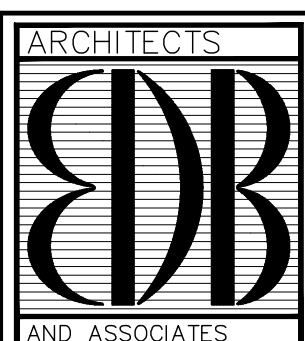


SOUTH ELEVATION - PLANT
SCALE 1/8" = 1'-0"



NORTH ELEVATION - OFFICE
SCALE 1/8" = 1'-0"

EDLUND · DRITENBAS · BINKLEY
ARCHITECTS AND ASSOCIATES, P.A.
AR-AA C000886
65 ROYAL PALM POINTE, SUITE "D"
VERO BEACH, FLORIDA 32960
PHONE: (772) 569-4320



SEAL:

PROJECT: **ROCLA TIE PLANT**

FOR: ROCLA CONCRETE TIE, INC.
600 SOUTH 3RD STREET
FORT PIERCE, FL 34950

NO.	DATE	REVISIONS

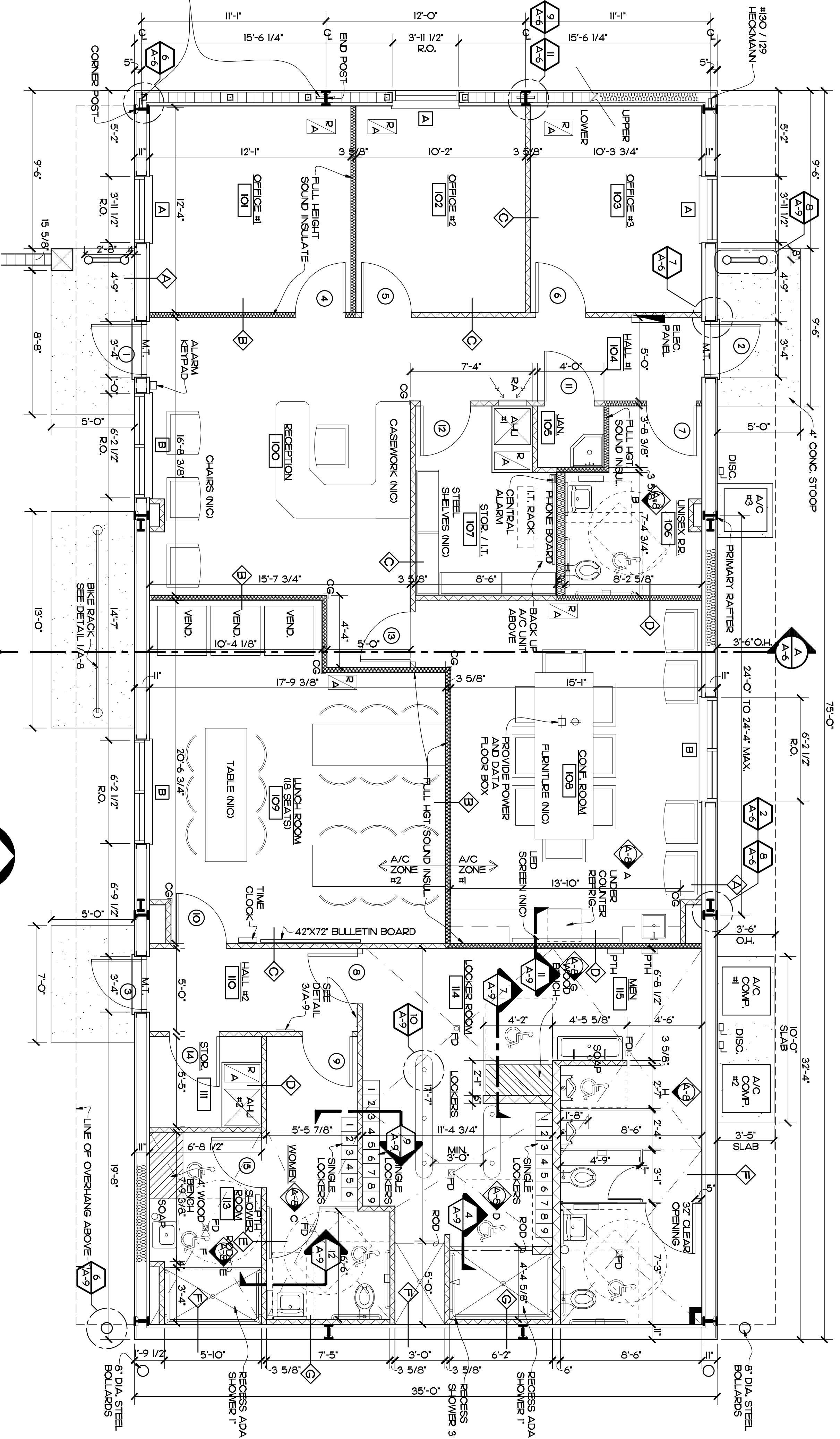
© M.A.V.I.E., 1998. All rights reserved.
No part of this drawing may be reproduced or transmitted in any form or by any means, electronic or mechanical, including photocopying, recording, or by any information storage and retrieval system, without the prior written permission of the architect.

CONTRACT NO.: 102418
DATE: 12/11/15
BY: JAD
CHKD: JPD

SHEET NO.
A-4
OF NINE

ROOM FINISH SCHEDULE

ROOM/SPACE	FLOOR	BASE	SILLS	WALLS	CEILING	CLG. HGT.	REMARKS
RECEPTION	100	PORCEL. TILE	ROLL STOCK VINYL	MARBLE AT 1/2" GYP. PAINT	SAT. PER RCP		
OFFICE #1	101	PORCEL. TILE	ROLL STOCK VINYL	MARBLE AT 1/2" GYP. PAINT	SAT. PER RCP		
OFFICE #2	102	PORCEL. TILE	ROLL STOCK VINYL	MARBLE AT 1/2" GYP. PAINT	SAT. PER RCP		
OFFICE #3	103	PORCEL. TILE	ROLL STOCK VINYL	MARBLE AT 1/2" GYP. PAINT	SAT. PER RCP		
HALL #1	104	PORCEL. TILE	ROLL STOCK VINYL	MARBLE AT 1/2" GYP. PAINT	SAT. PER RCP		
JAN.	105	PORCEL. TILE	ROLL STOCK VINYL	MARBLE AT 1/2" GYP. PAINT	SAT. PER RCP		PROVIDE 1/2" RCP TO 48" H. X FULL WIDTH BEHIND MOP SINK. 3" X 20 GA. STL. JOIST CEILING AT 16" O/C
UNISEX RR.	106	PORCEL. TILE	C-TILE COVE BASE	C-TILE TO 60" AFF	1/2" GYP.		
STORAGE / IT	107	PORCEL. TILE	ROLL STOCK VINYL	1/2" GYP. PAINT	SAT. PER RCP		
CONF.	108	PORCEL. TILE	ROLL STOCK VINYL	MARBLE AT 1/2" GYP. PAINT	SAT. PER RCP		
LUNCH ROOM	109	PORCEL. TILE	ROLL STOCK VINYL	MARBLE AT 1/2" GYP. PAINT	SAT. PER RCP		
HALL #2	110	PORCEL. TILE	ROLL STOCK VINYL	MARBLE AT 1/2" GYP. PAINT	SAT. PER RCP		
STOR.	111	PORCEL. TILE	ROLL STOCK VINYL	1/2" GYP. PAINT	SAT. PER RCP		
WOMEN	112	PORCEL. TILE	C-TILE COVE BASE	C-TILE TO 60" AFF	NR 1/2" GYP.		
SHOWER ROOM	113	PORCEL. TILE	C-TILE COVE BASE	C-TILE TO 60" AFF	NR 1/2" GYP.		1" SOLID PLASTIC BATH PARTITIONS C-TILE IN SHOWER TO 64" AFF
LOCKER ROOM	114	PORCEL. TILE	C-TILE COVE BASE	C-TILE TO 60" AFF	NR 1/2" GYP.		
MEN	115	PORCEL. TILE	C-TILE COVE BASE	C-TILE TO 60" AFF	NR 1/2" GYP.		1" SOLID PLASTIC BATH PARTITIONS

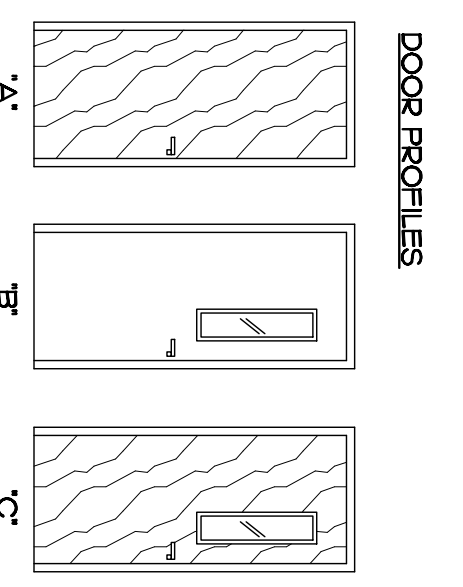


FLOOR PLAN - OFFICE

SCALE 1/4" = 1'-0"
AREA = 2,625 SF

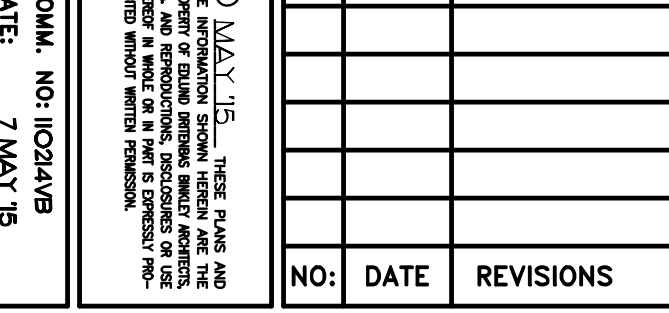
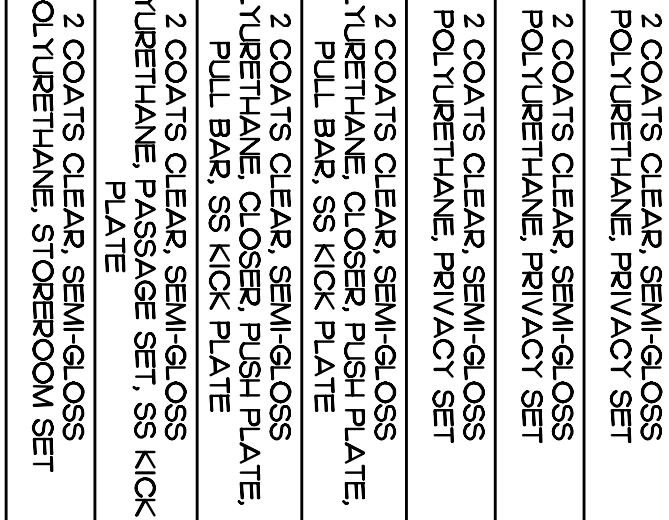
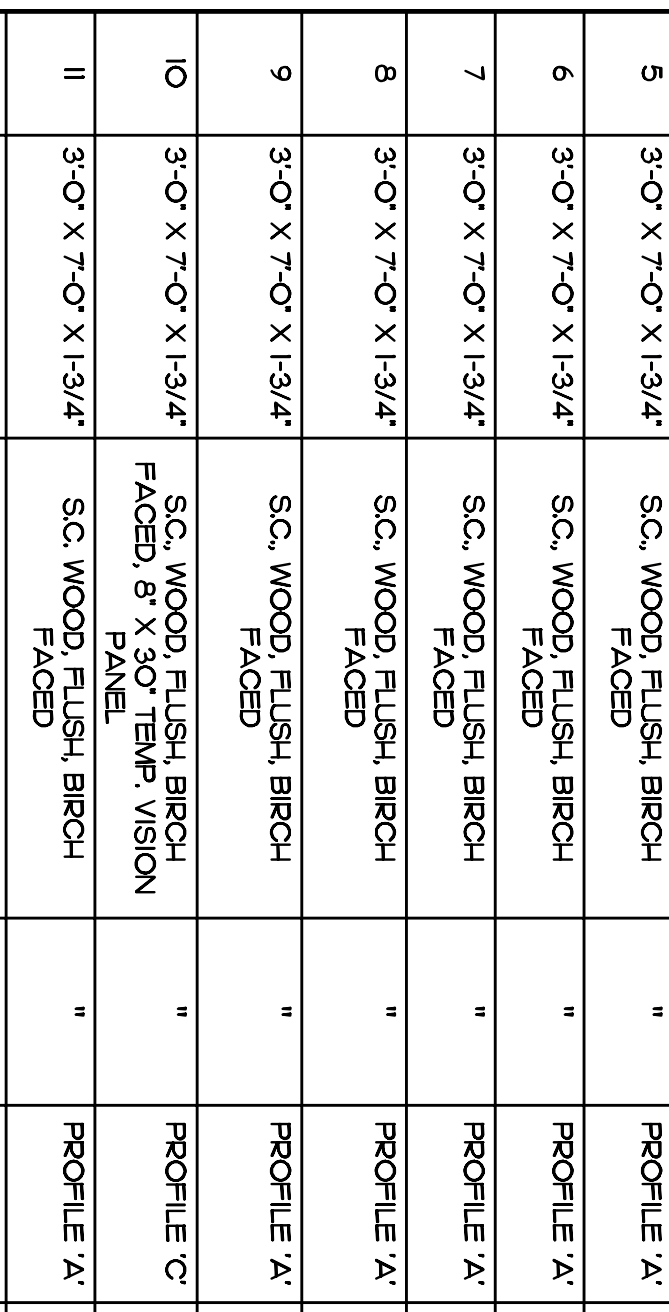
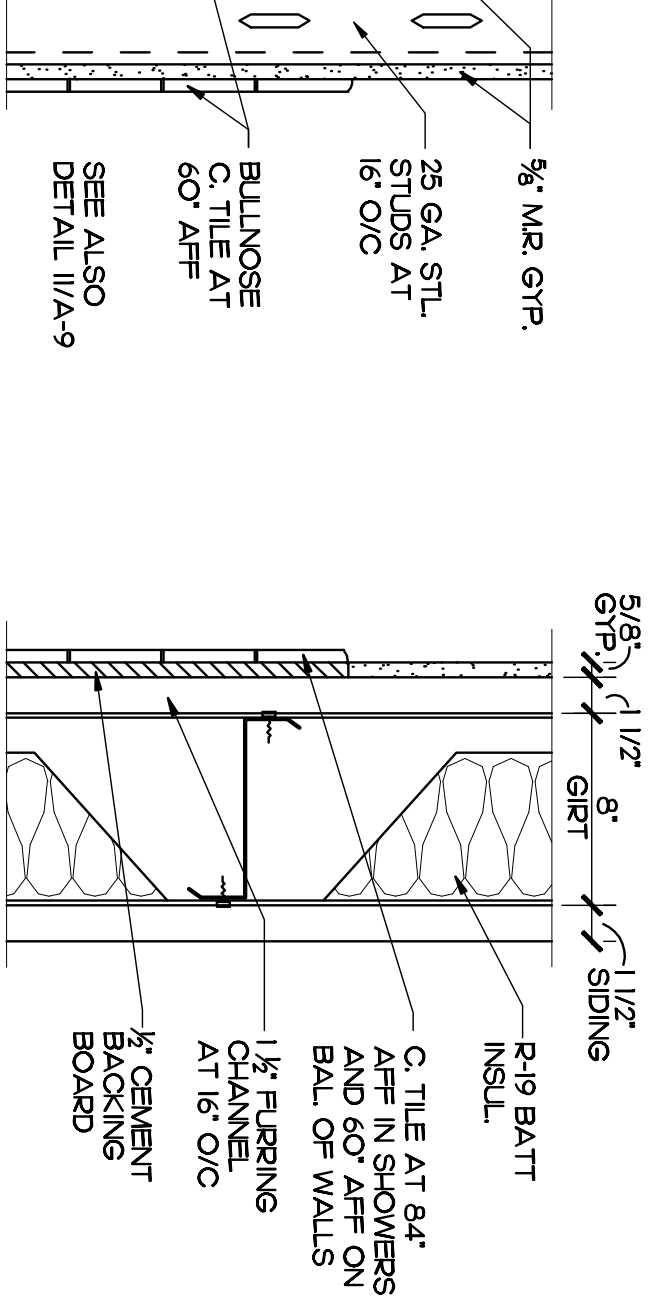
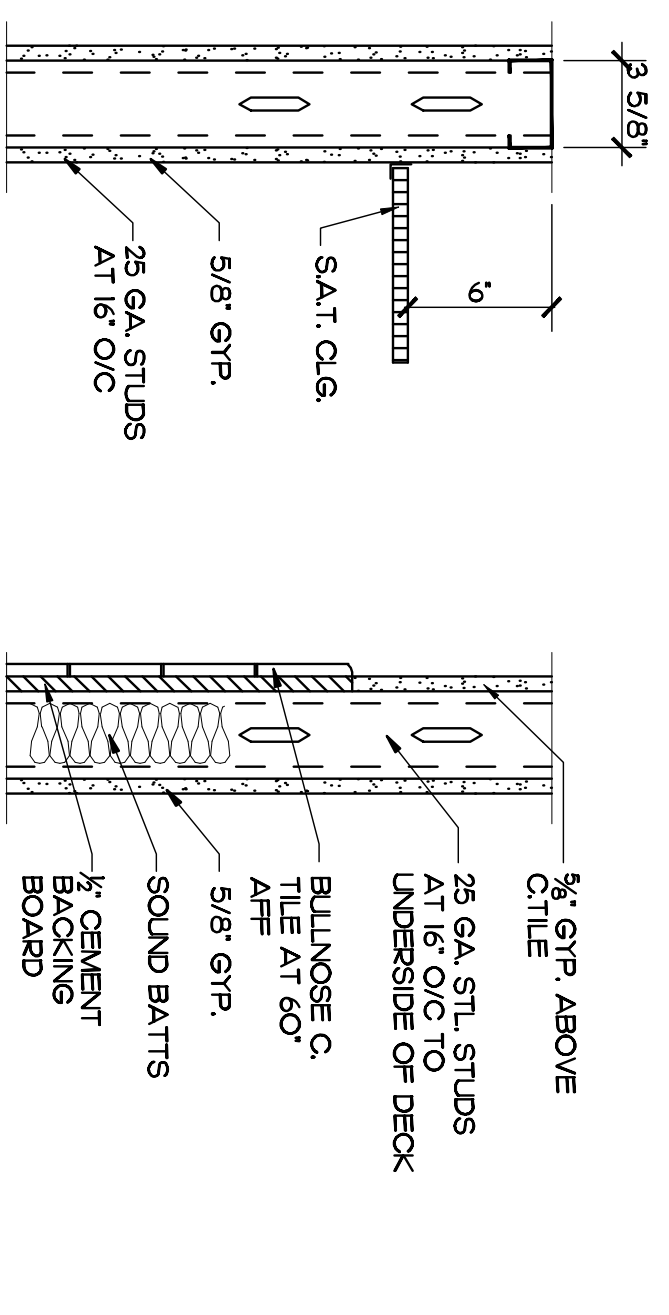
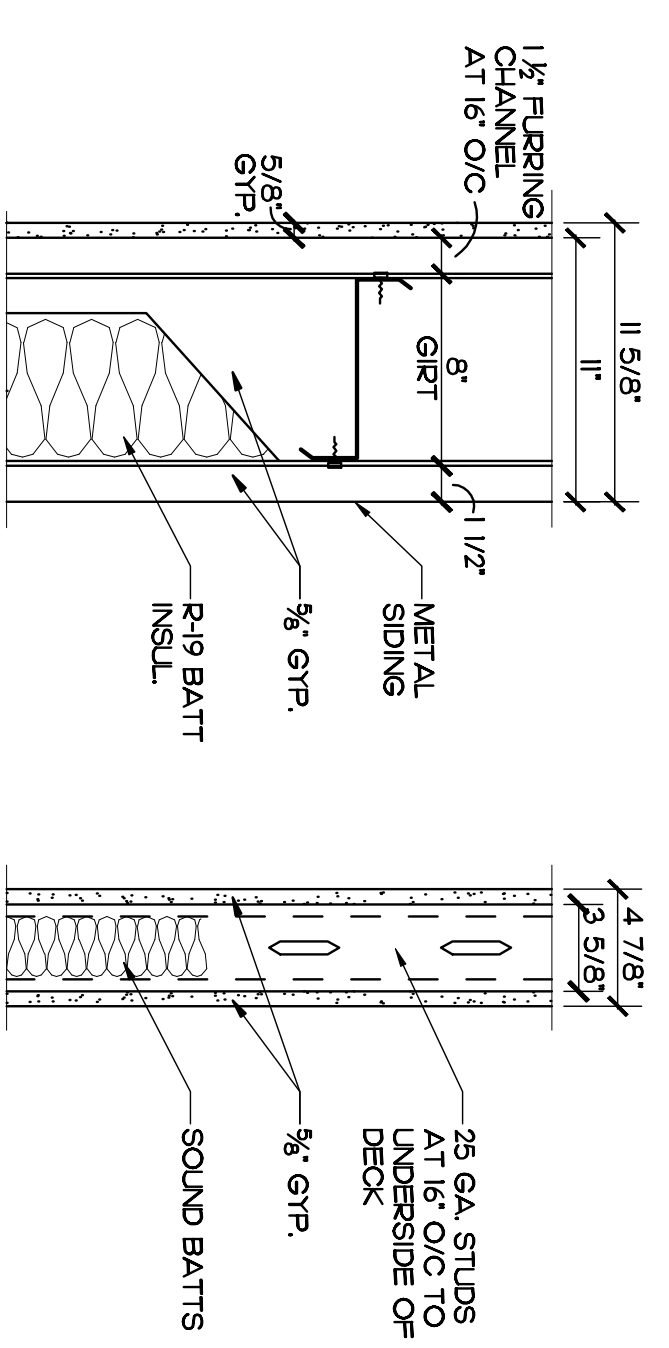
WINDOW SCHEDULE

MARK	SIZE	MANUFACTURER	TYPE	DETAILS	SILL	REMARKS
A	48" W X 50 3/4" H #4043	PGT WINGLARD IMPACT RATED, SINGLE GLAZED, CLEAR	SH. W/ FLANGE	W/ GRILLES	MARBLE	WHITE FACTORY FINISHED ALUM.
B	147 1/2" W X 50 3/4" H #24	PGT WINGLARD IMPACT RATED, SINGLE GLAZED, CLEAR	SH. W/ FLANGE	W/ GRILLES	MARBLE	WHITE FACTORY FINISHED ALUM.



DOOR SCHEDULE

MARK	SIZE	DESCRIPTION	JAMB	DETAILS	REMARKS
1	3'-0" X 7'-0" X 1'-9/4"	HOLLOW METAL DOOR AND FRAME, 8'X30" IMPACT GLASS, VISION PANEL	16 GA. DOOR AND JAMB	PROFILE 'B'	INSULATED DOOR, CLOSER, OFFICE SET DEAD BOLT, ADA METAL THRESHOLD
2	3'-0" X 7'-0" X 1'-9/4"	HOLLOW METAL DOOR AND FRAME, 8'X30" IMPACT GLASS, VISION PANEL	16 GA. DOOR AND JAMB	PROFILE 'B'	INSULATED DOOR, CLOSER, OFFICE SET DEAD BOLT, ADA METAL THRESHOLD
3	3'-0" X 7'-0" X 1'-9/4"	HOLLOW METAL DOOR AND FRAME, 8'X30" IMPACT GLASS, VISION PANEL	16 GA. DOOR AND JAMB	PROFILE 'B'	INSULATED DOOR, CLOSER, OFFICE SET DEAD BOLT, ADA METAL THRESHOLD
4	3'-0" X 7'-0" X 1'-9/4"	S.C. WOOD FLUSH BIRCH FACED	16 GA. METAL JAMB	PROFILE 'A'	2 COATS CLEAR SEMI-GLOSS POLYURETHANE/PRIVATEO SET
5	3'-0" X 7'-0" X 1'-9/4"	S.C. WOOD FLUSH BIRCH FACED	"	PROFILE 'A'	2 COATS CLEAR SEMI-GLOSS POLYURETHANE/PRIVATEO SET
6	3'-0" X 7'-0" X 1'-9/4"	S.C. WOOD FLUSH BIRCH FACED	"	PROFILE 'A'	2 COATS CLEAR SEMI-GLOSS POLYURETHANE/PRIVATEO SET
7	3'-0" X 7'-0" X 1'-9/4"	S.C. WOOD FLUSH BIRCH FACED	"	PROFILE 'A'	2 COATS CLEAR SEMI-GLOSS POLYURETHANE/PRIVATEO SET
8	3'-0" X 7'-0" X 1'-9/4"	S.C. WOOD FLUSH BIRCH FACED	"	PROFILE 'A'	2 COATS CLEAR SEMI-GLOSS POLYURETHANE/PRIVATEO SET
9	3'-0" X 7'-0" X 1'-9/4"	S.C. WOOD FLUSH BIRCH FACED	"	PROFILE 'A'	2 COATS CLEAR SEMI-GLOSS POLYURETHANE/PRIVATEO SET
10	3'-0" X 7'-0" X 1'-9/4"	S.C. WOOD FLUSH BIRCH FACED, 8' X 30" TEMP. VISION PANEL	"	PROFILE 'C'	2 COATS CLEAR SEMI-GLOSS POLYURETHANE/PRIVATEO SET
11	3'-0" X 7'-0" X 1'-9/4"	S.C. WOOD FLUSH BIRCH FACED	"	PROFILE 'A'	2 COATS CLEAR SEMI-GLOSS POLYURETHANE/PRIVATEO SET
12	3'-0" X 7'-0" X 1'-9/4"	S.C. WOOD FLUSH BIRCH FACED	"	PROFILE 'A'	2 COATS CLEAR SEMI-GLOSS POLYURETHANE/PRIVATEO SET
13	3'-0" X 7'-0" X 1'-9/4"	S.C. WOOD FLUSH BIRCH FACED	"	PROFILE 'A'	2 COATS CLEAR SEMI-GLOSS POLYURETHANE/PRIVATEO SET
14	3'-0" X 7'-0" X 1'-9/4"	S.C. WOOD FLUSH BIRCH FACED	"	PROFILE 'A'	2 COATS CLEAR SEMI-GLOSS POLYURETHANE/PRIVATEO SET
15	3'-0" X 7'-0" X 1'-9/4"	S.C. WOOD FLUSH BIRCH FACED	"	PROFILE 'A'	2 COATS CLEAR SEMI-GLOSS POLYURETHANE/PRIVATEO SET



PROJECT: **ROCLA TIE PLANT**

FOR: **ROCLA CONCRETE TIE, INC.**
600 SOUTH 3RD STREET
FORT PIERCE, FL 34950

SEAL: _____

ARCHITECTS: **EDLUND · DRITENBAS · BINKLEY ARCHITECTS AND ASSOCIATES, P.A.**
AR-AA C000886
65 ROYAL PALM POINTE, SUITE "D"
VERO BEACH, FLORIDA 32960
PHONE: (772) 569-4320

DATE: _____

REVISIONS:

NO.	DATE	REVISIONS

© M.A. X. 15. 100% COPY RIGHT FOR THE ARCHITECTURE AND ENGINEERING DRAWINGS AND ALL RIGHTS RESERVED. NO PART OF THIS DRAWING IS TO BE REPRODUCED OR TRANSMITTED IN ANY FORM OR BY ANY MEANS, ELECTRONIC OR MECHANICAL, INCLUDING PHOTOCOPYING, RECORDING, OR BY ANY INFORMATION STORAGE AND RETRIEVAL SYSTEM.

CONTRACT NO: 102418
DATE: 12/14/15
SHEET NO: **A-2**
OF NINE