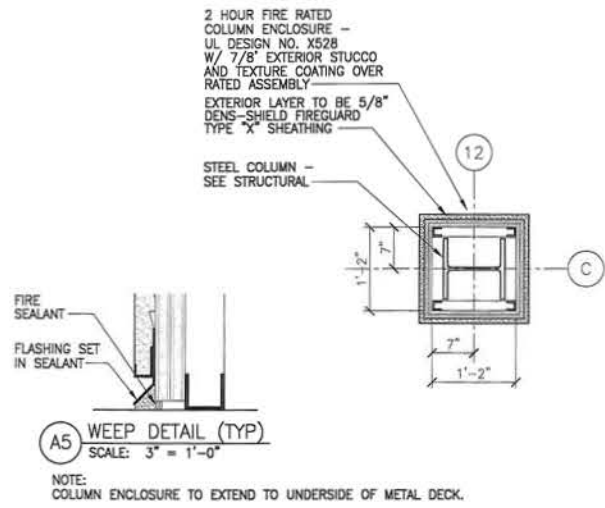
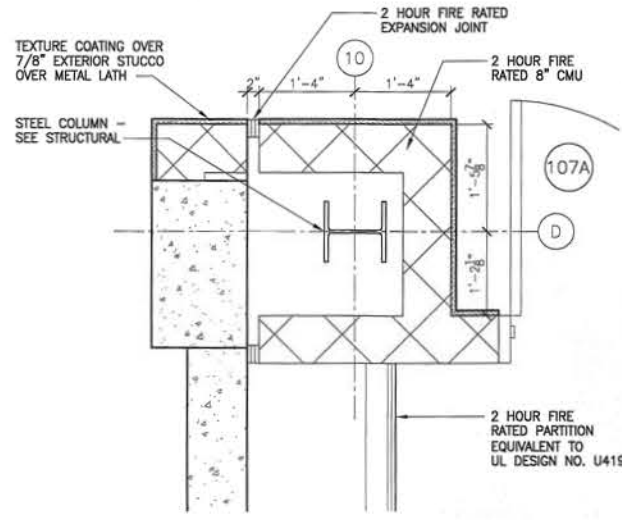


SECOND FLOOR PLAN

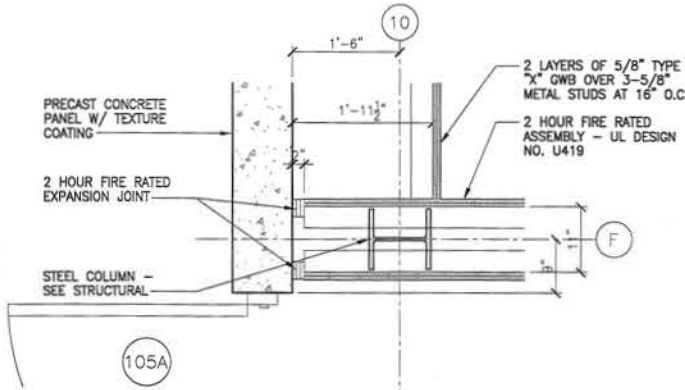


A5 WEEP DETAIL (TYP)
SCALE: 3" = 1'-0"

NOTE:
COLUMN ENCLOSURE TO EXTEND TO UNDERSIDE OF METAL DECK.



A2 COLUMN ENCLOSURE
2 HOUR FIRE RATED
SCALE: 3/4" = 1'-0"



A3 COLUMN ENCLOSURE
2 HOUR FIRE RATED
SCALE: 3/4" = 1'-0"

A4 COLUMN ENCLOSURE
2 HOUR FIRE RATED
SCALE: 3/4" = 1'-0"

KEY PLAN

SCALE: N.T.S.

A1 COLUMN ENCLOSURE
2 HOUR FIRE RATED

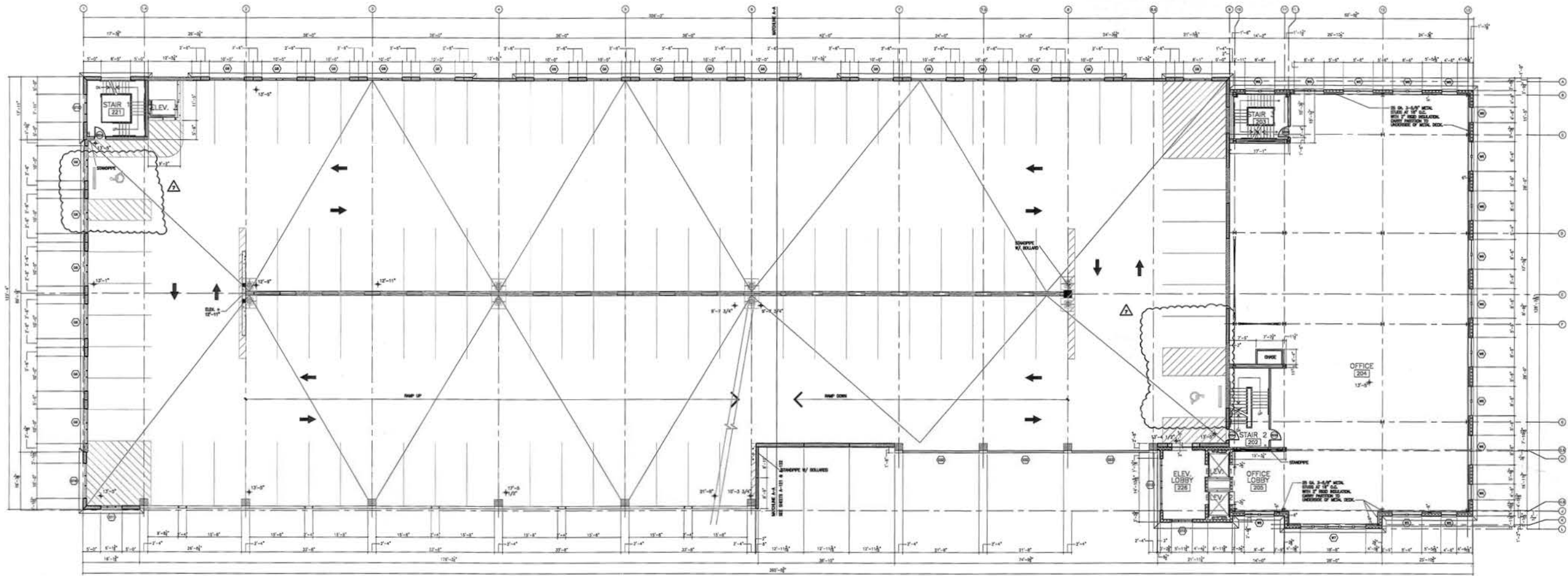
SCALE: 3/4" = 1'-0"

A2 COLUMN ENCLOSURE
2 HOUR FIRE RATED

SCALE: 3/4" = 1'-0"

A3 COLUMN ENCLOSURE
2 HOUR FIRE RATED

SCALE: 3/4" = 1'-0"



A OVERALL SECOND FLOOR PLAN
SCALE: 1/16" = 1'-0"



THE FOLLOWING APPLIES TO EVERY LOCATION ON THIS SHEET:

1	4/1/08	FO-#7
2	2/25/08	FO-#6
3	8/1/07	FO-#1
4	6/12/07	CI
5	3/30/07	PI
6	2/23/07	70X REVIEW
7	02/05/07	SITE REVIEW
8	01/24/07	Prefin. Review
DATE	ISSUE/REVISION	
We hereby expressly reserve the property rights to this drawing and it is not to be reproduced, copied in any form or manner whatsoever without first obtaining our express written permission and consent.		
DRAWN BY:	CHECKED BY:	
KML	CNH	
AC JOB NUMBER	41450201	
OVERALL SECOND FLOOR PLAN		
A-120	SHEET NUMBER	

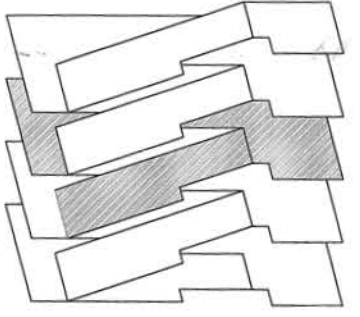
DOWNTOWN PARKING GARAGE & SHELL BUILDING
FORT PIERCE
REDEVELOPMENT AGENCY
FORT PIERCE, FLORIDA



HASKELL
America's Design-Build Leader

The Haskell Company
111 Riverside Avenue
Jacksonville, Florida 32202
Phone # (904) 791-4500

Project Architect
04/03/08
08/02/08

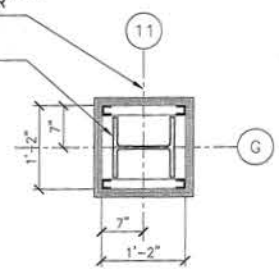


THIRD FLOOR PLAN

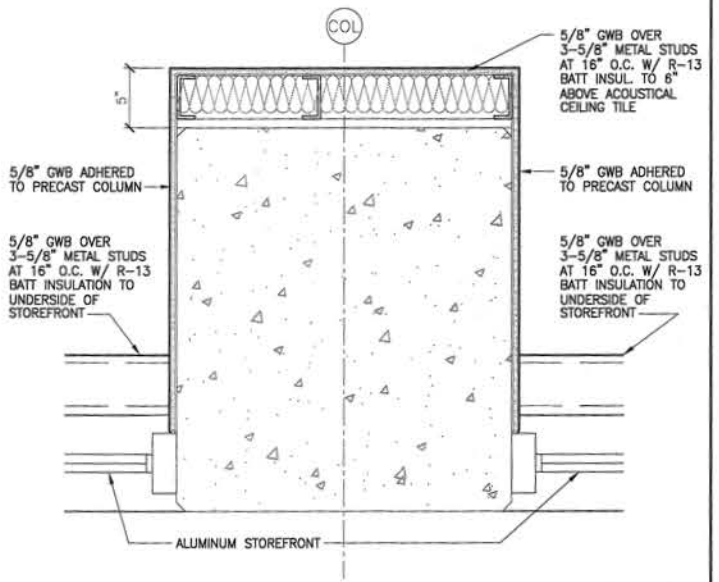


2 HOUR FIRE RATED COLUMN ENCLOSURE - UL DESIGN NO. X528 W/ 7/8" EXTERIOR STUCCO AND TEX-COTE OVER RATED ASSEMBLY

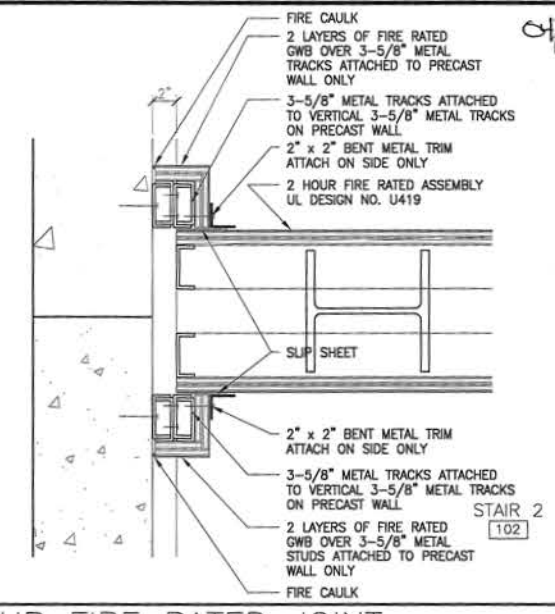
STEEL COLUMN - SEE STRUCTURAL



A1 COLUMN ENCLOSURE 2 HOUR FIRE RATED SCALE: N.T.S.

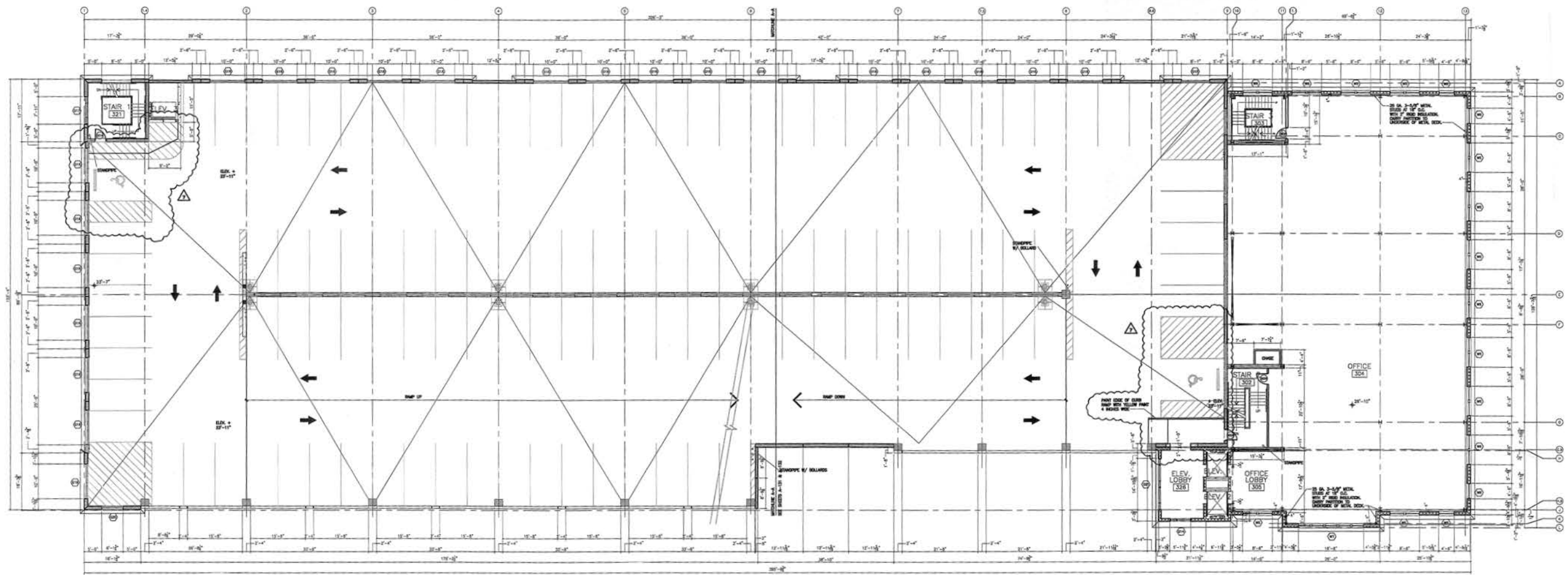


A2 COLUMN WRAP DETAIL SCALE: 3/4" = 1'-0"



A4 2 HOUR FIRE RATED JOINT DETAIL SCALE: 3/4" = 1'-0"

KEY PLAN



A OVERALL THIRD FLOOR PLAN SCALE: 1/16" = 1'-0"



Christopher A. Rehm, MA
Project Architect
04/21/08

HASKELL
The Haskell Company
111 Riverside Avenue
Jacksonville, Florida 32202
America's Design-Build Leader
AAC02021 13000000 8000814 LC2000042
Phone # (904) 791-4500

DOWNTOWN PARKING GARAGE & SHELL BUILDING
FORT PIERCE
REDEVELOPMENT AGENCY
FORT PIERCE, FLORIDA

DATE	ISSUE/REVISION
4/1/08	FD-#7
2/25/08	FD-#6
1/28/08	FD-#5
8/1/07	FD-#1
6/12/07	CI
5/30/07	PI
2/23/07	70% REVIEW
02/05/07	SITE REVIEW
01/24/07	Prelim. Review

We hereby expressly reserve the property rights to this drawing and it is not to be reproduced, copied in any format or manner whatsoever without first obtaining our express written permission and consent.

DRAWN BY: KML
CHECKED BY: CNH

AE JOB NUMBER: 41450201

OVERALL THIRD FLOOR PLAN

A-130
SHEET NUMBER

