

Morganelli & Associates
1401 Saratoga Street
Deland, Fl. 32724
3172017TD2

To: Fort Pierce Police Dept.
920 Souh US 1
Ft. Pierce, Fl. 34954

DATE: 3/17/2017

Re: LPR Speed Trailer

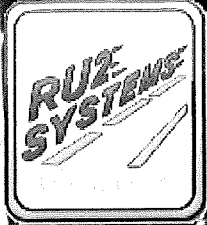
You may purchase the items listed at the price quoted from your favorite ELSAG NA Authorized Distributor *** Morganelli & Associates will honor the prices quoted should your vendor of choice provide a higher quote!

Quantity	Part #	Description	Price Each	Total
1	412987	RU2 Speed Trailer with 140wt Solar Panel	\$13,335.00	\$13,335.00
1	421752-2	Radar Trailer 2 CAM - Kit	\$6,380.00	\$6,380.00
1	140012	ELSAG Plate Hunter M6-2	\$11,500.00	\$11,500.00
1	413030	Wireless modem GX450	\$790.00	\$790.00
1	510322-5.X	EOC Operations Center Lic	\$1,275.00	\$1,275.00
2	210005-H	Engineering Hour	\$160.00	\$320.00
1	Shipping	Trailer Frieght Delivery	\$1,740.00	\$1,740.00
			Total	\$35,340.00

Customer Responsible
for Cell Service

Information Provided By:

Tim Davis
ELSAG NA Factory Representative for Florida
Morganelli & Associates, Inc.
1401 Saratoga Street
Deland, FL 32724
Cell Phone # 954-445-2055
E-Mail: tim@teammorganelli.com



RU2 FAST-830

RU2 Systems, Inc.

The Leader in Speed Display Technology

RU2 Fast-830

Radar Speed Display & ALPR Power Platform Trailer



①
ANNUAL FEES

The Fast-830 Radar Speed Display & ALPR Power Platform Trailer was designed specifically to house or host ALPR equipment for "cover" operation right there out in the open. Presenting the relatively common-place appearance of a radar trailer, the trailers presence helps attenuate traffic flow potentially enhancing data reliability.

The RU2 Fast-830 has an 18" tall character display and when in full operating position, stands nearly 8 feet tall. The speed display sign folds down creating a low trailer profile for easy transport and storage. Standard features include high & low speed blanking, flashing digit violator alert and traffic management arrows.

Optional features include our violator alert system (a flashing strip of red and blue LED's and/or the distinct "SLOW DOWN" message in red LED's) when approaching vehicles do not slow to the selected speed. Also available is our RU2 Systems Data Acquisition Package, which records the time, date and speed of oncoming vehicles without the use of cumbersome pneumatic tubes placed across the street! Please see the reverse for complete details.

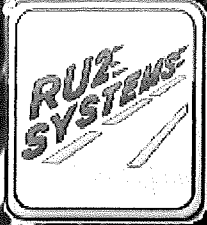
RU2 Systems: The Industry Leader in Speed Display Technology

2631 North Ogden Road, Mesa, AZ 85215

[P] 480-982-2107 [F] 480-982-5237

Toll Free 877-982-2107

e-mail: info@ru2systems.com www.ru2systems.com

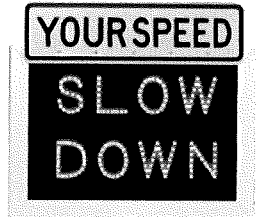
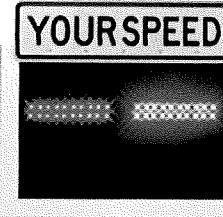


RU2 Fast-830

Radar Speed Display Trailer/ ALPR Power Platform

Standard Features:

- Single directional K-band radar unit
- 18" Amber AlInGaP LED full graphic display characters
- Display protected by 3/16" GE Lexan® with a tinted, non-glare finish
- Automatic intensity adjustment to ambient light conditions
- 18" x 24" MUTCD R2-1 speed sign / 5-75 MPH overlays
- Keyed On/Off switch
- RF key fob for remote set up (100'+)
- Four (4) 92 A/hr AGM aviation grade batteries
- Single cycle 24 hour ON/OFF clock
- Flashing Digit Violator Alert
- Directional Traffic Arrow Patterns
- Minimum Display Speed / High Speed Cut-off
- Unit defaults to last settings upon power up

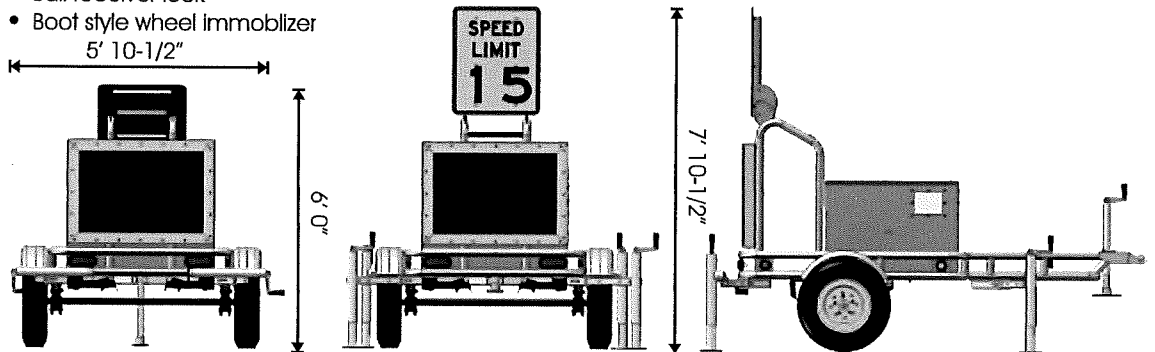
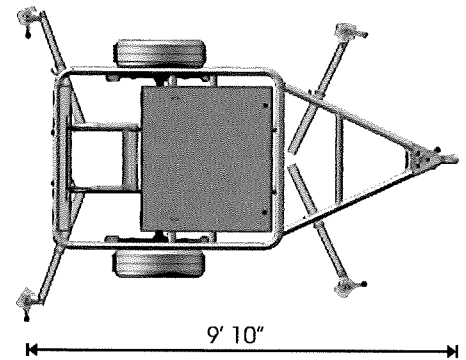


Construction:

- 2"Ø tubular steel space-frame chassis
- Polyester powder coat finish over high zinc epoxy primer
- ST205/75D-14" Tires & Painted Rims, Load Range C, on 5 lug automotive type hubs
- our (4) Extendable Out-rigger style stabilizers on corners, bulldog style swivel jack supporting tongue.
- Full 7" wide, 14 gauge steel fenders
- 2" Class II ball coupler
- 2000 lb rated axle
- Leaf spring suspension
- Taper roller bearings
- Curb Weight: ~1270 lbs

Options

- Violator alerts*
 - "SLOW DOWN"
 - Red-Blue Flashing Bars
 - White LED Photo-Flash simulation
- Additional batteries for extended deployment
- RU2 Traffic Count Statistics Package
- Solar panel(s)
- Trailer cover
- Locking lug nuts
- Ball receiver lock
- Boot style wheel immobilizer



Technical specifications are subject to change without notice.

WARRANTY:

RU2 Systems warrants their LED Displays for Five Years. The Radar Gun is warranted for Two years. On-site labor is not included. However, parts are repaired within five business days of receipt, and include ground-shipping expenses. Warranty does not include physical damage from misuse or vandalism.

RU2 Systems, Inc.
2631 N. Ogden Road
Mesa, AZ 85215

[P] 480-982-2107 [F] 480-982-5237
Toll Free 877-982-2107
www.ru2systems.com