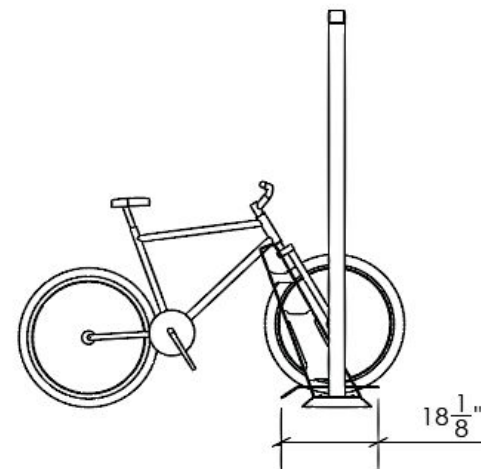
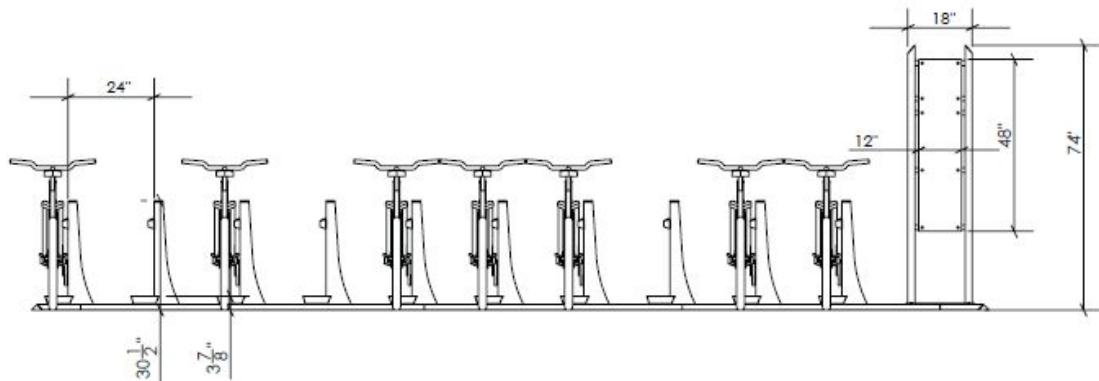
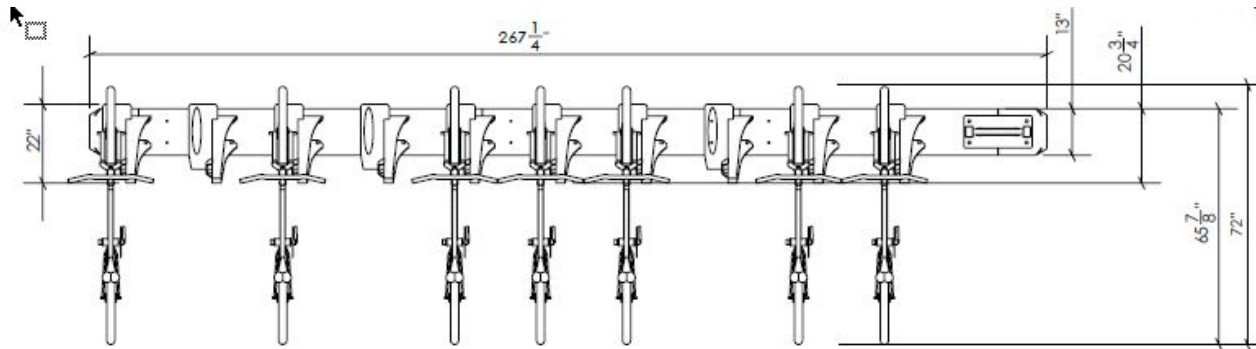


# Zagster K1 Station- 10 bike



## Concrete Pad Option Specification

- Concrete pad is at least 4" depth. 6" depth with fiber additive strongly recommended in freeze-thaw regions
- If expansion joints are used, they should be placed 24" from each end of concrete strip, and on 48" spacing from each other



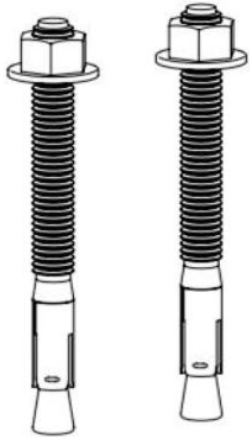
## Concrete Strip Option Specification

Racks can be installed into a concrete strip surrounded by pavers, bricks, etc. if the following overall specifications are met:

- Concrete strip is at least 4" deep - 6" depth with fiber additive strongly recommended in freeze-thaw regions
- Concrete strip is a minimum of 10" wide if surrounded by asphalt or other impermeable surface, or 12" wide if surrounded by pavers or other permeable surface
- Concrete strip is completely surrounded by a hard surface
- Surrounding surface extends a minimum of 12" from concrete strip in every direction
- If expansion joints are used, they should be placed 24" from each end of concrete strip, and on 44" spacing from each other



# Zagster Docks- Fixed Installation



## Tech Notes:

- Drill hole diameter:  $\frac{3}{8}$ "
- Minimum embedment 1  $\frac{1}{2}$ "
- Pull out strength (2000 PSI concrete) 3229#
- Work load strength (2000 PSI concrete) 807#
- Shear strength (2000 PSI concrete) 4318#
- Tightening torque 10-15 FtLBs

Wedge Anchor-  $\frac{3}{8}$ " x 16UNC x 3- $\frac{3}{4}$ "



## Gravel Pad Option Specifications

- All sod cleared and ground leveled
- Minimum 1/2" depth tamped sand base
- Minimum 2" depth tamped cinder or fine stone chip
- Maximum grade 2 degrees, <1 degree ideal

