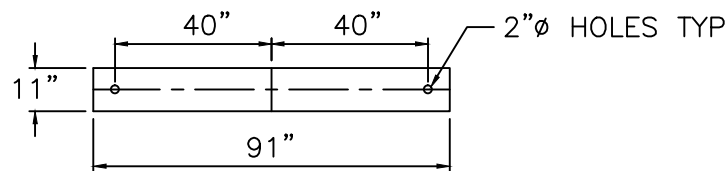
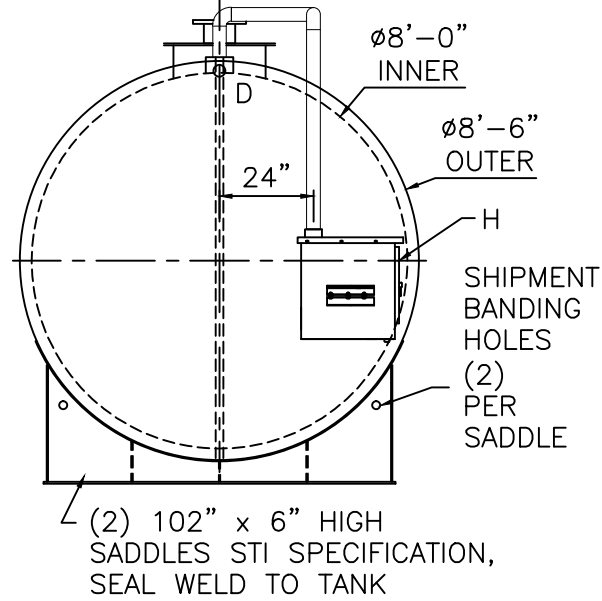
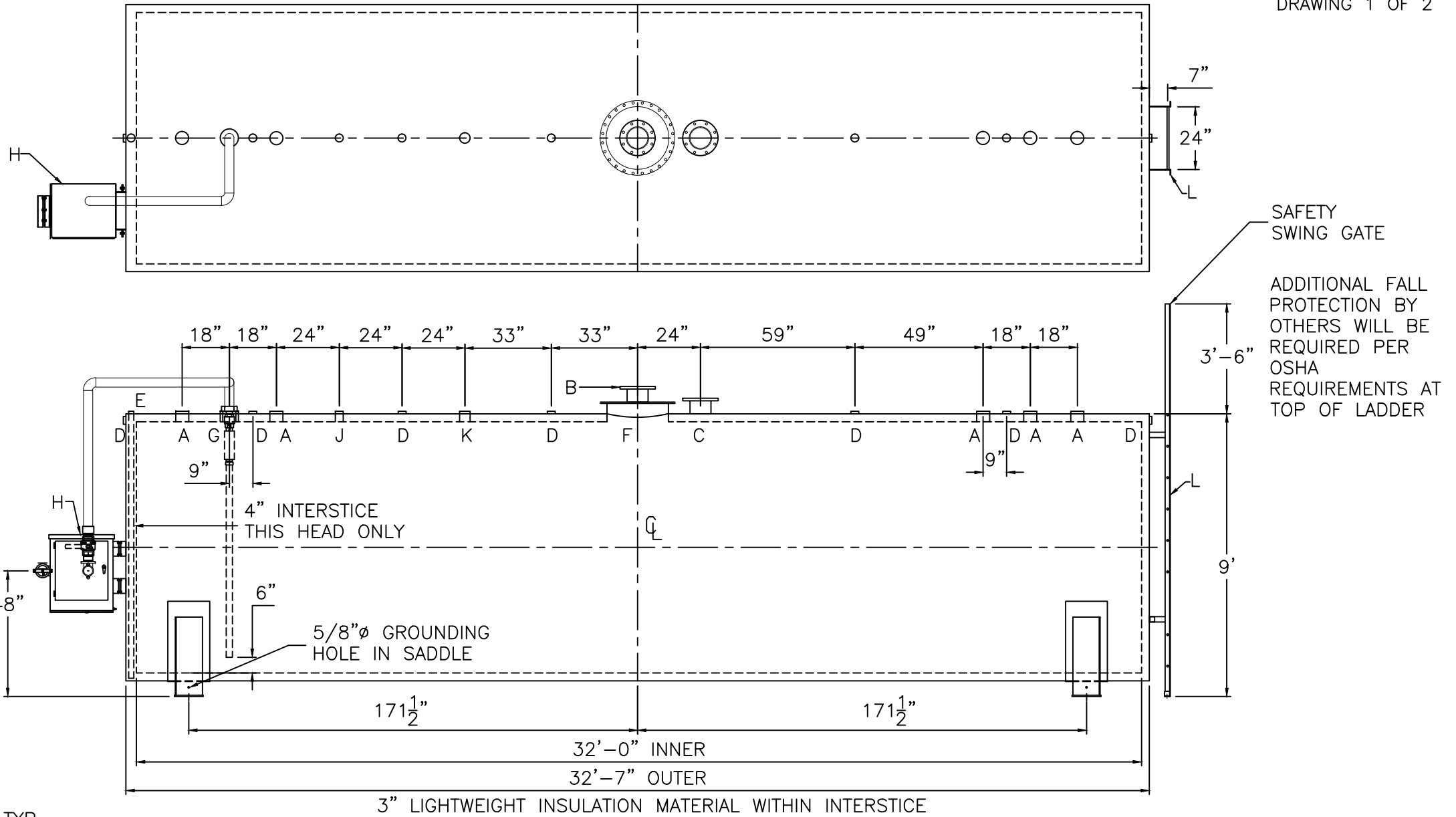


NOTE: ALL RIGHTS RESERVED. THIS DRAWING MUST NOT BE REPRODUCED IN ANY FORM WITHOUT THE WRITTEN PERMISSION OF HIGHLAND TANK®. HIGHLAND TANK® SHALL BE RESPONSIBLE ONLY FOR ITEMS INDICATED ON THIS FABRICATION DRAWING UNLESS OTHERWISE NOTED. CUSTOMER IS RESPONSIBLE FOR VERIFYING CORRECTNESS OF SIZE AND LOCATION OF FITTINGS, ACCESSORIES, AND COATINGS SHOWN ON THIS DRAWING.

TOUCH UP OF FINISHED PAINT IS REQUIRED BY INSTALLATION CONTRACTOR. TOUCH UP PAINT SHIPPED WITH TANK.

SHIPPING LUGS AS NEEDED

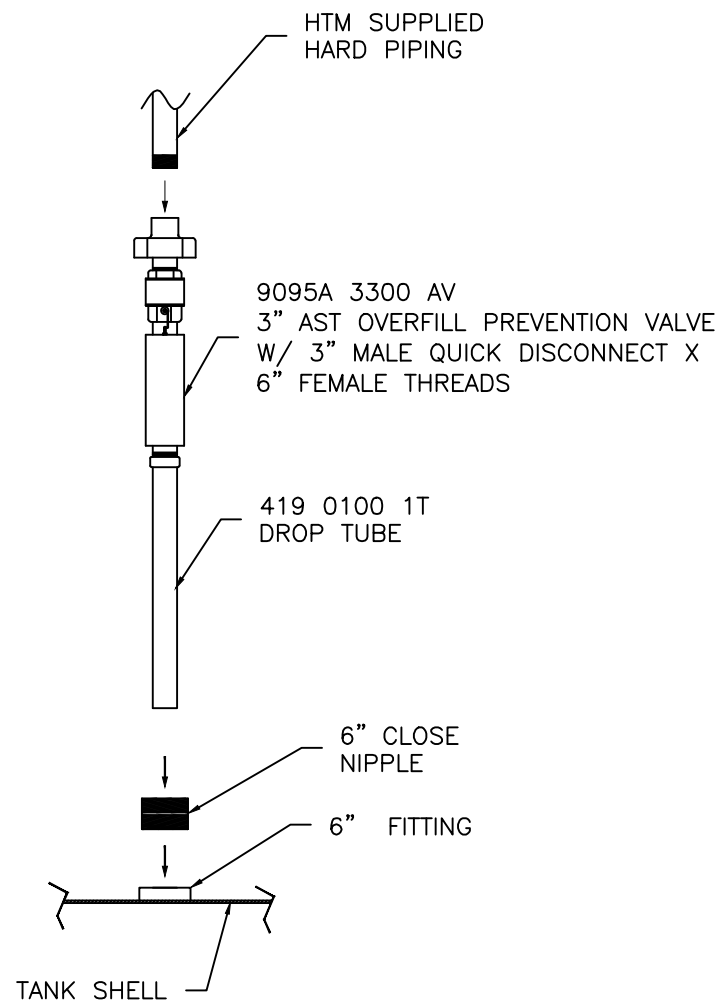


DIESEL

 <b>Highland Tank</b>	
UNLESS NOTED, TOLERANCES ARE +/- 1"	
12,000 GAL 96"Ø CYL. FIREGUARD®	
PATENT: 5,695,089 PATENT: 5,809,650	
CUSTOMER: ATC GROUP TAMPA, FL.	
PROJECT: FORT PIERCE, FL.	
QUOTE NO: 437280	CHK'D BY:
SCALE: 1/4" = 12"	DATE: 7/2/18
DWG. BY: 002	DWG. NO: 107295-1

DESIGN DATA	
CAPACITY:	12,000 GALLONS
TYPE:	FIREGUARD® CYLINDRICAL
FIREGUARD® IS A TRADEMARK OF THE STEEL TANK INSTITUTE	
NO. REQ. -	(1)
OPERATING PRESSURE -	ATMOSPHERIC
SPECIFIC GRAVITY =	1.0
TANK MATERIAL -	MILD CARBON STEEL
THICKNESS - INNER - HEADS-	5/16" SHELL-1/4"
THICKNESS - OUTER - HEADS-	5/16" SHELL-1/4"
MIN. GAUGE OR THICKNESS (PER U.L. 2085)	
CONSTRUCTION - INNER -	LAP WELD OUTSIDE ONLY
CONSTRUCTION - OUTER -	LAP WELD OUTSIDE ONLY
TANK TEST -	PER UL 2085
INT. FINISH -	NONE
EXT. FINISH -	SP-6 BLAST, FINISH PAINT WHITE
LABEL-	UL 2085 AND FIREGUARD® PER sti

LEGEND	
A	4" FEMALE FG COUPLING
B	8" FFSO 150# FLANGE - PRIMARY EMERGENCY VENT USE ONLY
C	8" FFSO 150# FLANGE THROUGH OUTER SHELL ONLY, MARK WITH SPECIAL WARNING LABEL INTERSTITIAL EMERGENCY VENT USE ONLY
D	2" FITTING THROUGH OUTER SHELL ONLY WITH CAST IRON PLUG- MFG USE ONLY
E	2" MONITOR PIPE WITH MALE NPT END
F	24" x 1/4" PLATE TIGHT BOLT MANWAY WITH 1/8" THICK NEO-CORK GASKET AND "B" IN COVER ON CL
G	6" FEMALE FIREGUARD COUPLING W/ 3" OVERFILL PREVENTION VALVE & 3" DROP TUBE TO WITHIN 6" OF TANK BOTTOM
H	3" MORRISON #715 ASSEMBLED REMOTE FILL PORT BOLTED TO TANK AND PIPED. INCLUDES: PAINTED STEEL OUTER BOX W/ LOCKING FRONT DOOR, 10 GALLON OVERFILL W/ HAND PUMP, CHECK VALVE, BALL VALVE AND FILL ADAPTER & CAP
J	2" FEMALE FG COUPLING
K	3" FEMALE FG COUPLING
L	HTM STD VERTICAL EXTERNAL LADDER, PAINTED SAFETY YELLOW PAINT & SHIPPED LOOSE FOR INSTALLATION ON SITE BY OTHERS (INCLUDES SAFETY SWING GATE)




NOTE: ALL RIGHTS RESERVED. THIS DRAWING MUST NOT BE REPRODUCED IN ANY FORM WITHOUT THE WRITTEN PERMISSION OF HIGHLAND TANK®. HIGHLAND TANK® SHALL BE RESPONSIBLE ONLY FOR ITEMS INDICATED ON THIS FABRICATION DRAWING UNLESS OTHERWISE NOTED. CUSTOMER IS RESPONSIBLE FOR VERIFYING CORRECTNESS OF SIZE AND LOCATION OF FITTINGS, ACCESSORIES, AND COATINGS SHOWN ON THIS DRAWING.

TOUCH UP OF FINISHED PAINT IS REQUIRED BY INSTALLATION CONTRACTOR. TOUCH UP PAINT SHIPPED WITH TANK.

NOTES:  
STRIKER PLATES ARE NOT SUPPLIED ON FIREGUARDS® UNLESS SPECIFIED

PROVIDED EQUIPMENT (SHIPPED LOOSE) (INSTALLATION ON SITE BY OTHERS)
(2) 8" FLANGED EMERGENCY VENTS - 8 oz/sq in. (1) 4' X 3" GALVANIZED PIPE (TBE) W/ 2" MUSHROOM VENT (1) #918 CLOCK GAUGE W/ BATTERY OPERATED ALARM
VINYL SIGN PACKAGE
(2) DIESEL PLACARDS (2) "DIESEL" LABEL, (BLACK) 4" HIGH (2) NFPA LABEL DIESEL (2) "NO SMOKING" LABEL (RED) 4" HIGH (2) "COMBUSTABLE" LABEL, (RED) 4" HIGH

DRAWING 2 OF 2

 <b>Highland Tank</b>	
UNLESS NOTED, TOLERANCES ARE +/- 1"	
12,000 GAL 96"Ø CYL. FIREGUARD®	
PATENT: 5,695,089 PATENT: 5,809,650	
CUSTOMER: ATC GROUP TAMPA, FL. PROJECT: FORT PIERCE, FL.	
QUOTE NO: 437280	CHK'D BY:
SCALE: 1/4" = 12"	DATE: 7/2/18
DWG. BY: 002	DWG. NO: 107295-2