

DESCRIPTION

The ACN/ARC/CLB Generation Series LED is a marriage of traditional shapes and contemporary styling. Its superior photometrics offer excellent illumination and uniformity for many of today's applications. Its styling blends well in many settings – historic districts, downtown streetscapes, roadways, residential neighborhoods, as well as city parks and educational campuses. The Generation Series LED sets a new standard for decorative post top luminaires.

Catalog #		Type	
Project			
Comments		Date	
Prepared by			

SPECIFICATION FEATURES

Construction

HOUSING: Heavy-duty cast aluminum housing and removable door. A single quarter turn fastener on the removable door provides tool-less access to wiring compartment. **CAGE ASSEMBLIES:** Cage assembly uprights and medallions are manufactured of heavy-duty cast aluminum and mounted to the exterior of the base housing via four stainless steel fasteners. Cage rings constructed of extruded aluminum and finished to match housing. **TOPS AND FINIALS:** Choose from multiple spun aluminum or acrylic tops and cast aluminum finials for customized fixture style. All solid tops are made of heavy-duty spun aluminum. **TWISTLOCK GLOBE:** The optional twistlock assembly offers ease of maintenance through instant access to both the LED and wiring compartment by twisting the top refractor assembly and lifting it from the mating lock plate.

Optical

REFRACTIVE GLOBE: High efficiency refractive optical systems are precisely designed utilizing a combination of refractive and reflective prisms. Available in Type III or Type V distributions. Lighting grade acrylic ensures long lasting optical clarity and resistance to discoloration.

Electrical

120-277V 50/60Hz operation. 10kV/10kA common and differential mode surge protection standard. Thermal management transfers heat rapidly away from the LED source for optimal efficiency and light output. Ambient operating temperature from -40°C to 40°C. Standard three-position tunnel type compression terminal block.

Mounting

Base casting slipfits over a standard 3" O.D. tenon and secured via four stainless steel allen head fasteners. 3G vibration tested.

Finish

Cast and spun components finished in a five-stage premium TGIC polyester powder coat paint, 2.5 mil nominal thickness for superior protection against fade and wear. Consult your Streetworks representative for a complete selection of standard colors including black, bronze, grey, white, dark platinum, graphite metallic and hartford green. RAL and custom color matches available.

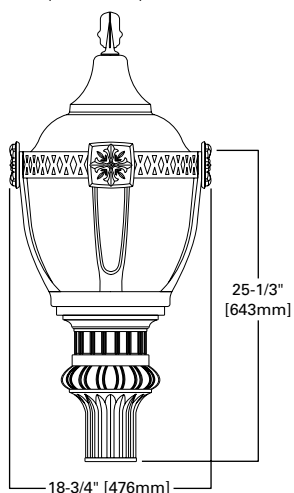
Warranty

Five-year warranty.

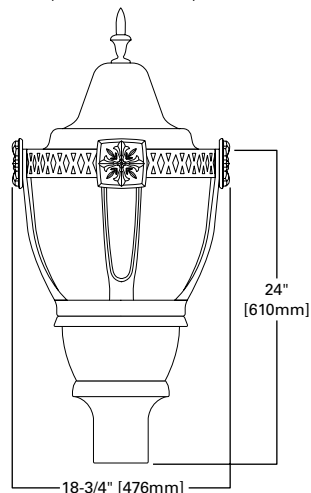


DIMENSIONS

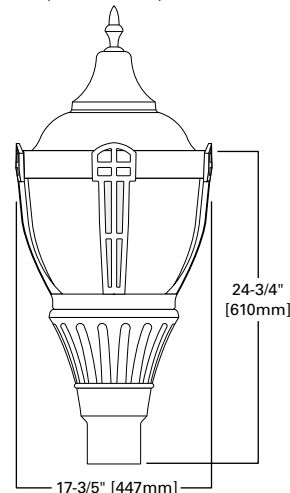
ACN (Acorn Base)



ARC (Architectural Base)



CLB (Classical Base)



ACN/ARC/CLB GENERATION SERIES LED

LED

DECORATIVE POST TOP
LUMINAIRE

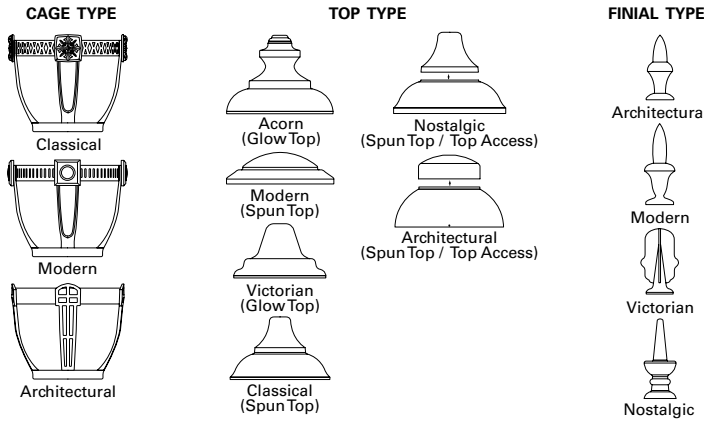


CERTIFICATION DATA
UL/cUL Wet Location Listed

EPA
Effective Projected Area:
2.1 Square Feet

SHIPPING DATA
Approximate Net Weight:
50 lbs. (23 kgs.)

CONFIGURATIONS



LUMEN TABLE

Distribution	Correlated Color Temperature (CCT)	Cage Type	Top Type	Total Lumens (Full Brightness)	Luminaire Wattage (Nominal)
Type III	4000K	None	Glow	11,060	99W
Type III	4000K	None	Solid	8,467	99W
Type III	4000K	Any	Glow	7,776	99W
Type III	4000K	Any	Solid	5,778	99W
Type V	4000K	None	Glow	10,571	99W
Type V	4000K	None	Solid	9,365	99W
Type V	4000K	Any	Glow	7,537	99W
Type V	4000K	Any	Solid	6,087	99W

LUMEN MAINTENANCE

Ambient Temperature	TM-21 Lumen Maintenance (36,000 Hours)	Theoretical L70 (Hours)
15°C	>93%	240,000
25°C	>92%	210,000
40°C	>89%	117,000

ORDERING INFORMATION

Sample Number: ACN-080-LED-E-U-33-1-7-3-BK

Product Family ¹	LED Series	Driver / Lumen Package	Voltage	Refractor Type	Cage Type ⁴	Top Type	Finial Type
ACN=Acorn Base ARC=Architectural Base CLB=Classical Base	080-LED=080 Series	E=Non-Dimming ² D=Dimming ² E50=Non-Dimming / 50% Lumen Output ³ D50=Dimming / 50% Lumen Output ³	U=Universal (120-277V)	33=Type III 55=Type V	Classical 1=Classical A=Classical Sun Gold B=Classical Antique Gold C=Classical Colonial Bronze Modern 2=Modern D=Modern Sun Gold E=Modern Antique Gold F=Modern Colonial Bronze Architectural 3=Architectural G=Architectural Sun Gold H=Architectural Antique Gold J=Architectural Colonial Bronze X=None	1=Acorn 2=Modern 3=Victorian 4=Classical (Top Access) 6=Nostalgic (Top Access) 7=Architectural (Top Access)	1=Victorian 2=Modern 3=Architectural 4=Nostalgic X=None
Color	Options (Add as Suffix)		Accessories (Order Separately)				
AP=Grey BZ=Bronze BK=Black DP=Dark Platinum GN=Hartford Green GM=Graphite Metallic WH=White	2L=Two Circuits ⁵ SH=Street Side / House Side Switching ⁵ B=Decorative Brass Banding ⁶ C=Copper Accents 4=Internal NEMA Photocontrol Receptacle 4N7=Internal NEMA 7-PIN Twistlock Photocontrol Receptacle ^{7, 8, 9} U=UL/CSA Listed P=Polycarbonate Refractor GHSS=Generation House Side Shield 7030=70 CRI / 3000K ¹⁰ AN8=M2M Antennae (915MHz) ¹¹		OA1222=10kV Surge Module GLK080EU=Generations LED Retrofit Light Engine Kit GLK080EU2L=Generations LED Retrofit Light Engine Kit wired for Two Circuit Dimming GLK080EUSH=Generations LED Retrofit Light Engine Kit wired for Street Side / House Side Dimming GL/GHSS=Field Installed Generation House Side Shield				

NOTES:

- Customer is responsible for engineering analysis to confirm pole and fixture compatibility for all applications. Refer to our white paper WP513001EN for additional support information.
- Six LEDs.
- Three LEDs. Approximately 50% output and energy usage. Consult IES files on ACN/ARC/CLB product page for actual lumen and wattage values.
- Cage type painted to match base.
- Not available with E50 or D50 options.
- Available with Acorn and Victorian tops only.
- Height of dimming node/photocell cannot exceed 2.8" at outer edge.
- Depending on characteristics of dimming node, may need to extend antenna out of housing. Consult your lighting representative at Cooper Lighting Solutions for more information.
- Not available with ARC base.
- Extended lead times apply. Use dedicated IES files for 3000K.
- For use with third party control systems where M2M is required.