

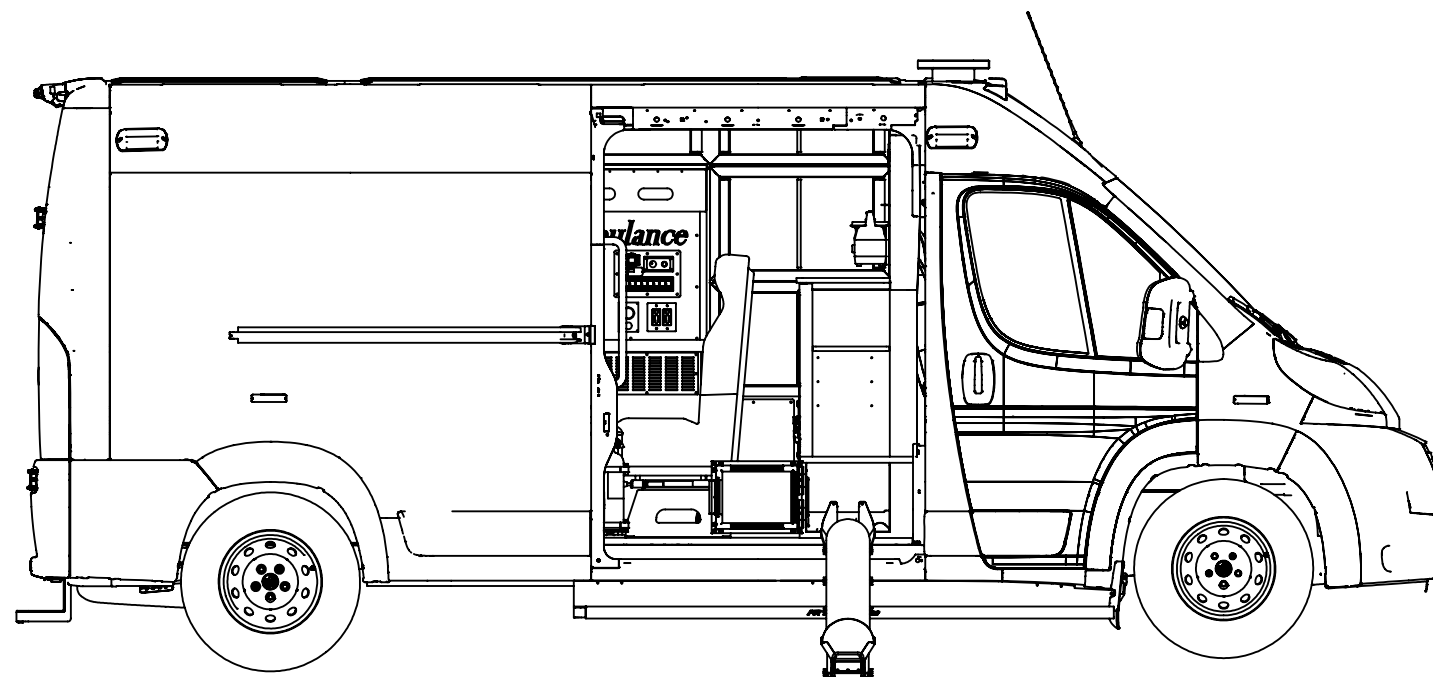
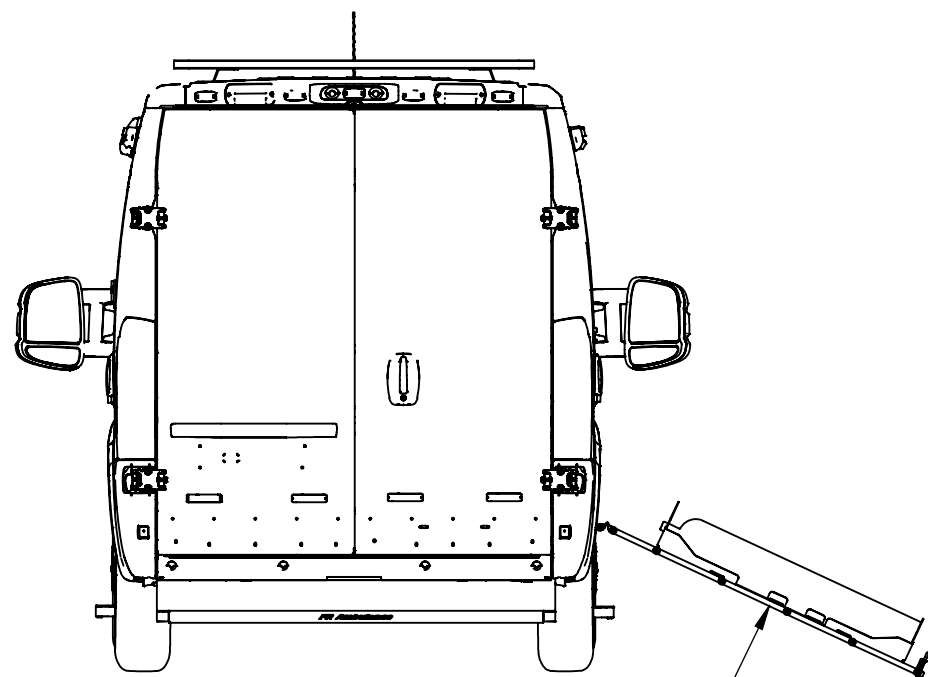
4

3

2

1

REVISIONS				
ZONE	REV.	DESCRIPTION	DATE	APPROVED



FR CONVERSIONS PROPRIETARY
E-Z LOAD MAIN OXYGEN TANK
STORAGE SYSTEM

PROPRIETARY AND CONFIDENTIAL
THE INFORMATION CONTAINED IN THIS
DRAWING IS THE SOLE PROPERTY OF
FR CONVERSIONS, 1231 TECH COURT,
WESTMINSTER, MD 21157. ANY
REPRODUCTION IN PART OR AS A WHOLE
WITHOUT THE WRITTEN PERMISSION OF
FR CONVERSIONS IS PROHIBITED.

		UNLESS OTHERWISE SPECIFIED: DIMENSIONS ARE IN INCHES TOLERANCES: FRACTIONAL ± ANGULAR: MACH ± BEND ± TWO PLACE DECIMAL ± THREE PLACE DECIMAL ± HOLE DIAMETER ±.005	NAME	DATE
		INTERPRET GEOMETRIC TOLERANCING PER: ASME Y14.5-2009	DRAWN	J BIANCO 5/4/18
		MATERIAL	CHECKED	
		FINISH	ENG APPR.	
NEXT ASSY	USED ON		MFG APPR.	
APPLICATION		DO NOT SCALE DRAWING	Q.A.	
			COMMENTS:	

FR CONVERSIONS 1231 TECH COURT, WESTMINSTER, MD 21157		
TITLE: RAM PROMASTER 2500 PIONEER II		
SIZE	DWG. NO.	REV
B	-	
SCALE: NONE		SHEET 1 OF 1

4

3

2

1

B

B

A

A

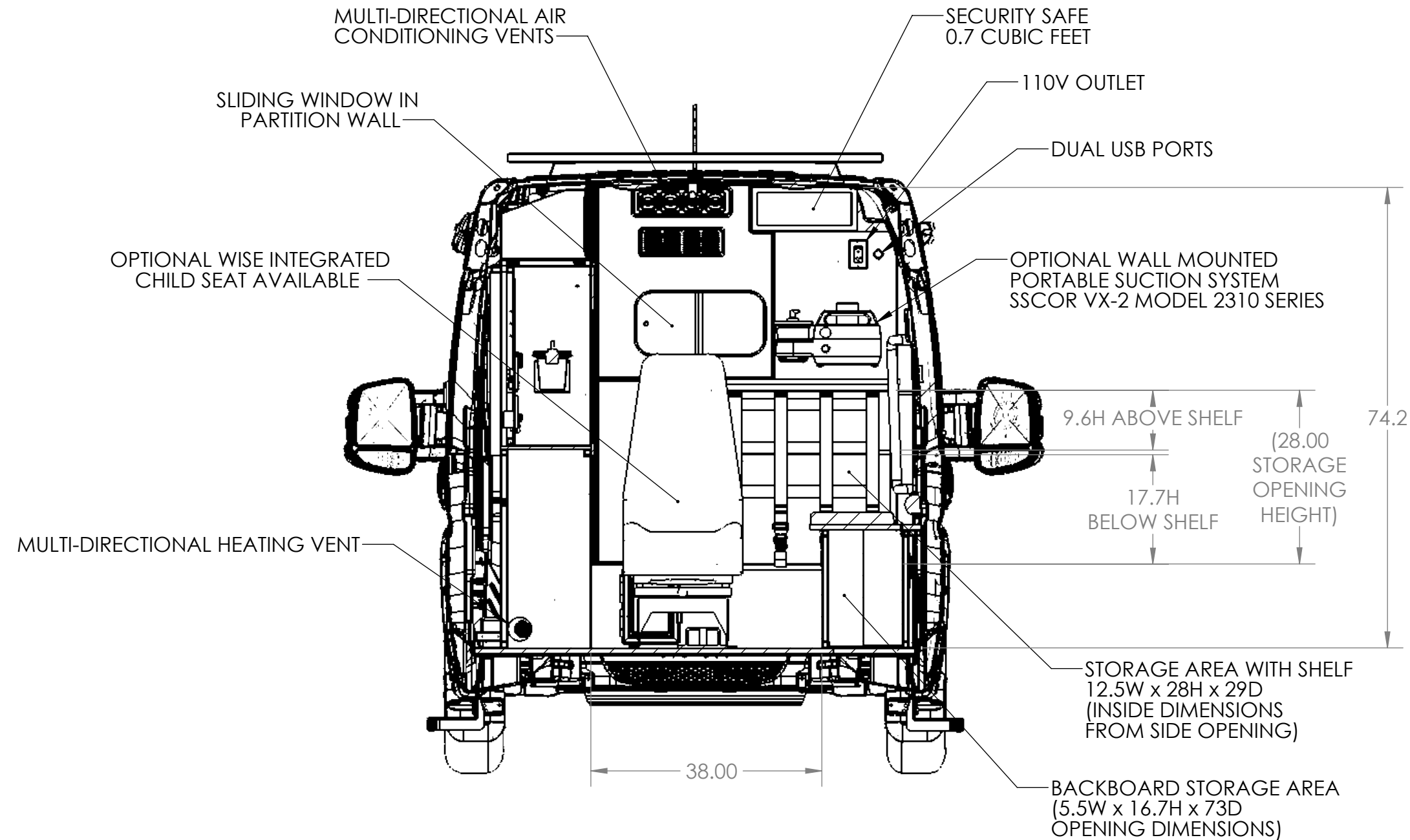
4

3

2

1

REVISIONS				
ZONE	REV.	DESCRIPTION	DATE	APPROVED



FORWARD INTERIOR SECTION VIEW

PROPRIETARY AND CONFIDENTIAL
 THE INFORMATION CONTAINED IN THIS DRAWING IS THE SOLE PROPERTY OF FR CONVERSIONS, 1231 TECH COURT, WESTMINSTER, MD 21157. ANY REPRODUCTION IN PART OR AS A WHOLE WITHOUT THE WRITTEN PERMISSION OF FR CONVERSIONS IS PROHIBITED.

UNLESS OTHERWISE SPECIFIED:		NAME	DATE
DIMENSIONS ARE IN INCHES		DRAWN	J BIANCO 5/8/18
TOLERANCES:		CHECKED	
FRACTIONAL ±		ENG APPR.	
ANGULAR: MACH ± BEND ±		MFG APPR.	
TWO PLACE DECIMAL ±		Q.A.	
THREE PLACE DECIMAL ±		COMMENTS:	
HOLE DIAMETER ±.005			
INTERPRET GEOMETRIC TOLERANCING PER: ASME Y14.5-2009			
MATERIAL			
FINISH			
NEXT ASSY	USED ON		
APPLICATION			
DO NOT SCALE DRAWING			

FR CONVERSIONS 1231 TECH COURT, WESTMINSTER, MD 21157		
TITLE: RAM PROMASTER 2500 PIONEER II		
SIZE	DWG. NO.	REV
B	-	
SCALE: 1:20 WEIGHT:		SHEET 1 OF 1

4

3

2

1



FR Conversions Pioneer II Type II Ambulance

ProMaster Model Year 2023 2500 Chassis

**Meets all KKK, CARB and Commission on Accreditation of Ambulance Services (CAAS GVS), including all change notices.

1. ENGINE

- a. 3.6-Liter V6 24-Valve VVT Engine Gas 280 HP
- b. Upfit Interface Connector
- c. Heavy-Duty 220 amp. Alternator
- d. 2 Maintenance Free Heavy-Duty batteries
- e. Manufacturer's Heavy-Duty Engine Cooling

2. TRANSMISSION

- a. Transmission: 9-Speed Automatic 948TE Automatic Transmission
- b. Manufacturer's Heavy-Duty Transmission Cooling.

3. AXLES

- a. 948TE Front Drive Transaxle, Heavy Duty Rear Axle
(Manufacturer's Recommended Drive Axle Ratio & Set-up for Ambulance Duty & Weight)

4. PERFORMANCE ITEMS

FUNCTIONAL/SAFETY FEATURES

- a. Supplemental Front Seat-Mounted Side Air Bags
- b. Supplemental Side-Curtain Front Air Bags
- c. Drowsy Driver Detection
- d. Traffic Sign Recognition
- e. Electronic Park Brake
- f. Speed Control
- g. Full-Speed Forward-Collision Warning Plus
- h. Pedestrian/Cyclist Emergency Braking
- i. Multi-Collision Braking
- j. Electronic Stability Control
- k. Crosswind Assist
- l. Electronic Roll Mitigation
- m. Trailer Sway Damping
- n. All-Speed Traction Control
- o. ParkView® Rear Back-Up Camera
- p. Tire Pressure Monitoring Display
- q. Push-Button Start
- r. Remote Keyless-Entry
- s. Speed-Sensitive Power-Locks
- t. *Ram Connect (Connected Services) with Trial***
- u. *Global Telematics Box Module (TBM)***
- v. 24-Gallon Fuel Tank with ~350-mile range
- w. 220-Amp Heavy Duty Alternator
- x. 95-Amp Battery
- y. Heavy-Duty Suspension

5. COMFORT ITEMS

INTERIOR FEATURES

- a. 4-Way Manual Adjustable Driver Seat
- b. 4-Way Manual Adjustable Front Passenger Seat
- c. Cluster 3.5-Inch TFT Black and White Display
- d. Uconnect 5 with 7-Inch Touch Screen Display
- e. SiriusXM® with 6-Month Radio Sub Call 800-643-2112
- f. Bluetooth® Handsfree Phone and Audio
- g. Google Android Auto™
- h. Apple CarPlay®
- i. 4 Speakers



FR Conversions Pioneer II Type II Ambulance

- j. Steering–Wheel–Mounted Audio Controls
- k. Media Input Hub
- l. Remote USB Port – Charge–Only
- m. Instrument Panel 12–Volt Power Outlet
- n. Upfit Interface Connector
- o. Air Conditioning
- p. Power Windows with Front One–Touch–Down Feature
- q. Telescoping Steering Column

6. Exterior

- a. 16–Inch x 6.0–Inch Steel Wheels
- b. BSW All–Season Radial Tires 16-inch t LT225/75R16E
- c. Tire Sealant and Air Compressor
- d. 260–Degree Opening Rear Hinged Doors
- e. Heated Power Folding Mirrors

7. CHASSIS, FRAME, CAB

- a. 8900 Lbs. GVWR
- b. 159" wheelbase
- c. Cargo Partition with Sliding–Window
- d. Front Clearance Lamps
- e. Rear Clearance Lamps
- f. Halogen Headlamps
- g. Daytime Running Headlamps
- h. Glove Box
- i. Passenger Sliding Door with Fixed Tinted Window
- j. Rear Hinged Doors with Deep Tinted Glass

8. MODULAR BODY CONSTRUCTION

- a. Ambulance Body Patient Compartment Dimensions 72.5" H x 73.4" W x 138" L

**Exceeding size requirements of this specification and those of paragraph 3.10.1 and the cot fastener system to meet or exceed requirements of paragraph 3.11.6 of the current KKK-A-1822F and Commission on Accreditation of Ambulance Services (CAAS GVS), including all change notices.

Crash Tested as an Ambulance, Pull Tested, Balanced

5yr 100,000-mile Power Train Warranty

3yr 36,000-mile conversion and chassis warranty

Exterior Color: Bright White Clear Coat Exterior Paint Interior Color: Black Interior Color



FR Conversions Pioneer II Type II Ambulance

Ambulance

Flooring

- 3/4" Marine Grade Plywood Flooring- Tongue and grooved joints with Bondo and sanded finish 100215-01-XXXXX
- Altro Safety Vinyl-Floor, Zodiac Smooth, Capricorn FL-00014-06
 - Meets R12 or R11 levels of slip resistance.
- 2 (ea.) Entry way floor receiver trim in Hard anodized aluminum, Black with "FR Ambulance" stencil 100279-70-XXXXX
 - Maximizes and Preserves Door Seal Integrity against tailpipe emissions.
- Threshold Etched No-Slip, Fire House Grade Aluminum Diamond Plate.
 - No-Trip Recessed -- mounted flush into flooring.
- Diamond Plate Baseboard Protection

HVAC Features

- Webasto Vancouver FM RC AC System - 33,000 BTU rear HVAC System with OEM tie-in AC-AMB-00001-01
 - Dual Control: Cab & Compartment
 - No-Idle feature maintains temperature for 20-30 minutes in severe climates

Operator Seat Rear Facing

- WM1814 - Seamless Attendant Seat 6 Back with 3 Point Black Belt, 1009 Color Gun Metal Grey ST-AMB-00001-01
 - Retractable Harness
- WM1934 - Standard 8-way Swivel Base with 45 Stops, 9.568 Inches Tall ST-AMB-00002-01

Squad Bench with 2 seating placements

- WM2015-1009 Wall Mount Backrest Color Gun Metal Grey ST-AMB-00003-0
 - Backrest & Headrest
- 70.5-13.5-3-1009 Seamless Squad Bench Cushion Color Gun Metal Grey ST-AMB-00003-01
 - 2" Ultra Comfort Seat Pad
- 2 sets of 2 (ea.) ZA-209-SHP-A-02 - 2pt Black ALR Short Housing Retractor SQ-00030
 - 6 Point Harnesses
 - Retractable Seat Belts
- Under seat storage with latching closing Mechanism & storage for up to 3 backboards 100227-05-XXXXX
- Forward Safety Netting

Standard Electrical & Lighting

- SWITCH Emergency Cutoff Master red cover / red Backlit LED, mounted to front command console EL-00800-06
- DS4010DR - AMBULANCE VOLTMETER Double Voltmeter, Range F•10 60V DC, RED Backlit LED, Monitors OEM battery and Aftermarket system, mounted on front command console EL-00800-17
- A-PRC702-AX-15 PROGRAMMABLE RELAY POWER CENTER (PRPC) FOR RAM PROMASTER-
 - Main computer controller for Ambulance subsystems VC-00033-01
- CHROME/BLACK BASE COWL VENT cover VT-2758-A03 VC-00156
- Exhaust Attwood Blower motor EL-00802-05
- Shore-Power Connection
 - KUSSMAUL WP Auto Eject 120 Volts AC, 20 Amps Color WHITE EL-00802-03
 - Auto Close Cover
- Xantrex Freedom 806-1840 HF 1800 Inverter/Charger 2000-Watt Inverter Charger EL-00802-02
 - with in-line battery conditioner for front of the vehicle
- Deep cycle BATTERY, Aux BATTERY, INTERSTATE 24M-DP AP-00063
 - Quick Charge



FR Conversions Pioneer II Type II Ambulance

- 2- (ea.) 10 cabinets In Cabinet WHITE LED LITE STRIP FLEXIBLE W/SINGLE TERM TQ E41-W03V-1 , mounted on 45 degree bracket for maximum illumination EL-00521
- 8" EV White Red Interior Light Chrome Trim 3 stage (high, Low, RED) TQ E08-WCRO-1 EL-00518
- 8" EV White Light Chrome Trim 2 stage (high low) TQ E08-WC10-1 EL-00519

Lights & Sirens

- FENIEX TRITON 100W SPEAKER, FEN-S-2009- Front mounted EL-LT-00001-02
- FENIEX 4200 CONTROL SWITCH BOX, FEN-C-4200-DL EL-LT-00001-04
- FENIEX STORM PRO 200W SIREN, FEN-C-4015 EL-LT-00001-06
- FENIEX FUSION 60 IN EXTERIOR LIGHT BAR SINGLE COLOR, RED, with White Alley lights FEN-FN-6016 EL-LT-00001-03
- 4 (ea.) Thin Light head, High output, Red LED above fender flares I600-R EL-LT-00002-04
- 4 (ea.) Thin Light head, High output, Red LED in Front Grill I600-R EL-LT-00002-04
- 4 (ea.) Thin Light head, High output, Red LED on rear doors I600-R EL-LT-00002-04
- 6 (ea.) High output RED LED Light 1" x 6" on upper body at each corner EL-LT-00002-08

- 6 (ea.) High output Clear LED Light 1" x 6" on upper body at each corner at oblique angle as scene lights EL-LT-00002-09
- 2 (ea.) Hellfire pandora 12 LED - high output RED- mounted in rear view mirrors facing forward EL-LT-00002-03
- 2 (ea.) Hellfire pandora 12 LED - high output AMBER- mounted in rear center over rear doors EL-LT-00002-09
- 2 (ea.) LED Indicator lights in main command console for rear doors open and sliding doors open indicators EL-00801-01
- Rear controller switch bank with back lit LED, Laser etched indicators Including (1) StreetSide 3 position switch for interior lights (high, Low Off) (1) Curbside 3 position switch for interior lights (High, Low Off)
- (1) Night light switch (1) Cabinet LED light switch (1) Inverter On switch (1) Vent switch (1) Suction switch with white cover (1) Oxygen On switch with green backlit LED indicator EL-00800-07

Outlets

- Leviton Decora 20 Amp 125-Volt Combination Duplex Outlet w/ dual USB Outlet, White, Mounted in Action area EL-00805-02
- Leviton Decora 15 Amp Duplex Outlet, 15 Amp Duplex Outlet w/ dual USB, White, Mounted In action Area EL-00805-01
- Leviton Decora 15 Amp Duplex Outlet, 15 Amp Duplex Outlet, White, Mounted On front bulkhead cabinet EL-00805-01
- Leviton Decora 15 Amp Duplex Outlet, 15 Amp Duplex Outlet, White, mounted above squad bench EL-00805-01
- Dual USB outlet Front Bulkhead

Standard Cabinetry

- 0.7-cubic-foot security safe with electronic lock and 2 emergency override keys SQ-05000-02
- Front cabinet set-
 - All aluminum 18Ga construction with integrated main O2 Tank cabinet
 - safety webbing
 - 1 internal adjustable shelf and
 - 1 fixed upper shelf / 2nd workstation
 - Padded safety corners and edges.
- Integrated Main O2 holder door with quick release and Frosted Lexan cover 100227-03-XXXXX
- Main Cabinet frame assembly Street Side. All Aluminum Construction. 100227-01-XXXXX
 - Double insulated.
- 6 (ea.) 29 1/16 X 18 X 16 1/16- 18G Smoked Hard Anodized Aluminum Cabinet with 1 adjustable shelf 100219-01-XXXXX
- 3 (ea.) 29 1/8 X 11 1/6 X 14 9/16- 18G Smoked Hard Anodized Aluminum Cabinet 100219-03-XXXXX
- 36 1/8 X 11 1/16 X 14 9/16- 18G Smoked Hard Anodized Aluminum Cabinet 100219-04-XXXXX
- 10 (ea.) Framed door covers for main cabinet assembly with easy slide and latch.
 - CASS and NFPA 1917 Compliant for equipment retention DR-04007



FR Conversions Pioneer II Type II Ambulance

- Poly Carbonate Impact Doors Rated to 80lbs per Square Inch
- Front Console with integrated clipboard storage and 2 stainless cup holders.
 - All aluminum construction with Black Smoked Hard Anodized Aluminum Facia 100227-07-XXXXX
 - Suitable for "Ram Desk" Mounts & Supplementary Electrical
- 7" x 36 3/16 Above Command console gloves storage covered with magnetic hinged Lexan cover in smoked Lexan PN-00500

- In-door, Rear, Street Side sharps storage pocket in hard Anodized aluminum 100272-27-XXXXX
- In-door, Rear, Curb Side Gloves storage pocket in hard Anodized aluminum 100272-26-XXXXX
- Rear Facing Stair Chair Cubby
- Main command center Top in Corian Gray Lite Matte 36.5 x 14.5 1/2 Inch Thick PN-00501 Easy Access Control Panel

Running Boards:

- RUNNING BOARD PASSENGER SIDE, Firehouse Diamond tread, with rounded edges and Sure grip emboss on tread, 8" tread depth 100279-22-XXXXX
- RUNNING BOARD Drivers SIDE, Firehouse Diamond tread, with rounded edges and Sure grip emboss on tread, 8" tread depth 100279-26-XXXXX

Rear Bumper

- Heavy Duty Additional, Full-Length Flip-Up Rear, Firehouse Diamond Tread Bumper 100279-28-XXXXX
 - with rounded edges and
 - No-Slip Sure Grip emboss tread,
 - 8" tread depth
 - 14" step

O2 and Suction Equipment:

QR-SOFD - Slide-out, Flip-down Slide Assembly. Medical Oxygen, QUIC-RELEASE. EMS, G to T Cylinder Storage, Gas Cylinder Storage SQ-00221-01

- <50lbs Lift
- Single Hand Lock / Unlock Actuation
- QR-MV - Multiversal Bracket. Medical Oxygen, QUIC- RELEASE. EMS, G to T Cylinder Storage,
- Gas Cylinder Storage. Ambulance SQ-00221-02
- Sure-lok Double Oxygen Bottle Holder - SL-5401 SQ-00220-02

Dual / Redundant O2 and Suction

- Z-TH0303MO - Triple Rail Unit,
 - (2) Oxygen (1) Vacuum w/ 1/4" Barb- In main Action Area SQ-00400-02
- Z-TH02MVO - Double Rail Unit,
 - (1) Oxygen (1) Vacuum w/ 1/4" Barb- Above squad bench SQ-00400-03
- Z-TH0105FA - High Pressure Gauge Front Assembly for Oxygen 0-4000PSI SQ-00400-01
- P-REG-L250-OXY - Regulator AM 250 series Oxygen SQ-00400-04
- SB90120-RT - SSCOR suction Pump Onboard SQ-00401-03
- 22002- Canister Holder (SSCOR board) mounted in action area SQ-00401-02
- Main O2 System electrical disconnect with 12-volt 200 AMP solenoid EL-00025
 - Solenoid Controlled Regulator shuts O2 automatically when not in use
 - Digital O2 gauge with low Alarm
 - Manual Bypass

Misc. Equipment and Mounts

- 1 (ea.) 5LB. ABC FIRE EXTINGUISHER WITH VEHICLE BRACKET, RECHARGEABLE- 1 mounted in rear SQ-00302



FR Conversions Pioneer II Type II Ambulance

- Front Bulkhead with sliding glass window and lock
- Sliding Glass Door Ratchet Lock with Chrome Finish, Keyed DR-07000
- ZRS-NETMEX012-02-B - Ambulance squad bench Cargo Net Black 20 x 76 with Adjustable straps SQ-00043
- 2 (ea.) IV2008-1 - Recessed, Ceiling Mount Dual IV Hanger with Velcro, mounted above cot area SQ-05000-01
- GRABRAIL-CEILING 100297-02-XXXXX
- GRABRAIL-ENTRY, SIDE, AMBULANCE 100297-05-XXXXX
- GRABRAIL-ENTRY, REAR 100297-08-XXXXX
- Tailpipe turned StreetSide.
- Conversion Warranty
- **The vehicle come with a 3 year/36,000-mile conversion warranty.



2016 RAM

PROMASTER AMBUL



2016 RAM

PROMASTER AMBUL



2016 RAM

PROMASTER AMBUL

FR Promaster

- Ambulance prep
- Power Steering
- Anti lock brakes
- Power brakes, disc front / drum rear
- Front stabilizer bar (?)
- Dual Captains chair with arm rests (?)
- AM / FM radio
- Tilt steering wheel
- Drive and Passenger Shoulder belt with retractor
- Dual electric horns
- 2 speed wipers
- Driver and passenger front air bags
- Interior dome lights
- Spare tire & wheel
- Jack and wrench