

Print

2023 COMMERCIAL FACADE GRANT PROGRAM APPLICATION - Submission #3419

Date Submitted: 11/16/2023

APPLICATION FORM

There is no guarantee that funding will be available for every application submitted, including those that meet the required criteria. Applications will be evaluated, and the four highest ranked properties will be awarded the grant.

To review full grant program overview, visit: [FPRA Incentive Program | Fort Pierce, FL - Official Website \(choosefortpierce.com\)](https://www.choosefortpierce.com)

Property Details:

Parcel ID Number:*

2409-707-0001-000-8

If you do not have your parcel ID, visit <https://www.paslc.org/property-search/> to obtain.

Grant Property Address:*

2203 Orange Ave

Property Owner's Name:*

Fort Pierce Police Athletic League

Building's New Use(s) (if applicable):

Building's Existing Use(s):*

Community Center / Youth Programs non-profit

Lease Term (if applicable):

own

Applicant Information:

Applicant Name:*

Keith Pearson

Applicant Title (Business Owner, Property Owner, Business Partner, etc):*

Board Member

Email Address:*

pearsonk@stluciesheriff.com

Phone Number: *

7722011104

Business Information:

Legal Business Name:

Ft Pierce Police Athletic League D.B.A. St Lucie Sheriffs PAL

Business Type (Restaurant, Retail, Office, etc):

Youth Center non-profit

Employer Identification Number / Tax ID:

65-0670756

Number of Years in Business:

29

Number of Years at Current Address:

2

If not currently open for business at this location, when do you expect to open?

Project Details:

Grant amount requested?

\$25000.00

Note: This grant offers financial assistance in the form of a reimbursable grant, matching 50% up to \$25,000.

What is the total cost of the project?

\$65000.00

The costs must be verified by licensed contractors.

Estimated timeframe for the completion of the project:

160days

The project must be started within six (6) months from the date of the FPRA Board approval and completed within 12 months of the building permit issuance. Failure to do so, without an approved deviation by the FPRA, will result in termination of the grant.

General Description of Proposed Improvements:*

<input checked="" type="checkbox"/> Awnings/Canopies	<input type="checkbox"/> Building Facade
<input type="checkbox"/> Signs	<input type="checkbox"/> Windows/Doors
<input type="checkbox"/> Walls	<input type="checkbox"/> Parking lot repaving, resealing, and/or restriping
<input type="checkbox"/> Fencing	<input checked="" type="checkbox"/> Patio deck
<input type="checkbox"/> Landscaping/Irrigation	<input checked="" type="checkbox"/> Roofing
<input type="checkbox"/> Mural/Art Installation	<input type="checkbox"/> Security cameras/system
<input type="checkbox"/> Exterior Painting	<input type="checkbox"/> Other (explain in narrative below)

Narrative describing the project, improvements to be made, and why this funding is necessary:*

Shade structure covering preexisting concrete.

Narrative detailing approach to fully fund this project. Note: This is a dollar-for-dollar matching grant.*

Pledges and donors, can provide proof of funds if requested.

Type text here

Narrative describing how this project will address the priorities of the FPRA as outlined in the Redevelopment Plan. This narrative shall identify community benefits resulting from the project.*

Florida is known for its extreme weather conditions. This shade structure will allow the youth to safely participate with outdoor activities. They will be sheltered from the rain and heat.

To view the FPRA Plan, visit: <https://cityoffortpierce.com/DocumentCenter/View/9381/2020-Updated-FPRA-Plan>

Required Documentation:

Color photograph of the existing condition of the FRONT of building (1 of 2):*

overview.jpg

Color photograph of the existing condition of the FRONT of building (2 of 2):*

overview.jpg

Project plans and renderings and any other relevant materials that convey the physical improvements proposed to be made:*

23-11-272(SEALED).pdf

Design and construction plans for the proposed improvements.*

SBS_Color.pdf

Provide examples of project colors, design, materials and specifications.*

SBS_Color_Chart.pdf

Proof of ability to fully fund the project.*

proof of funds.jpg

Attach a letter describing why this property should be selected to receive a grant. Please include how this project meets the goals and objectives of the FPRA Plan.*

FPRA Letter.docx

Cost Estimates*

PAL Estimate.docx

A minimum of one (1) cost estimate from a licensed contractor issued within the previous 90 days of this application submission. Estimates should be broken out in detail, especially if any non-eligible improvements are being completed, as this allows FPRA to compare based on only grant eligible improvements being performed.

Signature

Electronic Signature*

Keith Pearson

I certify that the information provided in this application is true and accurate to the best of my ability and no false or misleading statements have been made to secure approval of this application.

By typing your name in the box above, you are signing the document electronically. You agree that your electronic signature has the same validity as your handwritten signature.





EVERY KID NEEDS A PAL

Saint Lucie County Sheriffs Police Athletic League
2203 Orange Ave, Ft Pierce FL 34950
pal@stluciesheriff.com

Lisa Johns-Grose
President

Paul Pearson
Vice President

Melissa Alexander
Treasurer

Steve Dipalma
Secretary

Board Members
Patrick Seidel
Keith Pearson
Ken Wilson

Executive Director
Jarret Romanello

The Fort Pierce Police Athletic League d.b.a St Lucie Sheriffs PAL purchased the building at 2203 Orange Ave and have used that location to provide at risk under privileged youth a place to go before they go places in life. The building prior to being purchased had over \$200,000.00 in code violations and was a burden to the community with vagrants and illegal dumping. Working with the community, we have turned an eyesore into a safe place for our youth to grow. Most importantly, we recently received the Mayors Golden Hammer Award! We hope that we are awarded this grant because you are not only investing in the building you are investing in our youth.

THIS IS A LETTER OF CERTIFICATION FOR STEEL BUILDING SYSTEMS, INC.'S PROJECT #23-11-272 FOR FT. PIERCE POLICE ATHLETIC LEAGUE TO BE LOCATED IN FORT PIERCE, FLORIDA.

THIS LETTER CERTIFIES THAT STEEL BUILDING SYSTEMS, INC.'S BUILDING(S) MEETS THE INFORMATION IN THE DESIGN CRITERIA.

THIS LETTER OF CERTIFICATION IS WRITTEN SPECIFICALLY FOR THE BUILDING(S) PROVIDED BY STEEL BUILDING SYSTEMS, INC. THIS LETTER DOES NOT IMPLY NOR CONSTITUTE AN AGREEMENT THAT THE MANUFACTURER OR THE MANUFACTURER'S ENGINEER IS ACTING AS THE ENGINEER OF RECORD OR DESIGN PROFESSIONAL FOR THE CONSTRUCTION PROJECT.

DESIGN CRITERIA

WIDTH (ft)	= 30.33.0	RISK CATEGORY	= II-NORMAL
LENGTH (ft)	= 63.0	SEISMIC SITE CLASS	= D
EAVE HEIGHT (ft)	= 12.4/13.66	SEISMIC COEFFICIENT	= 0.08
ROOF SLOPE (Rise/12)	= 0.5	MAPPED RESPONSE (Ss)	= 0.0494
		MAPPED RESPONSE (S1)	= 0.0279
BUILDING CODE	= FBC 20	DESIGN CATEGORY (SDC)	= A
		IMPORTANCE - SEISMIC	= 1.00
DEAD LOAD (psf)	= 2.0	SITE COEFFICIENT (Fa)	= 1.6000
COLLATERAL LOAD (psf)	= 0.0	SITE COEFFICIENT (Fv)	= 2.4000
ROOF LIVE LOAD (psf)	= 20.0	DESIGN RESPONSE (Sms)	= 0.0784
LIVE LOAD REDUCTION	= YES	DESIGN RESPONSE (Sm1)	= 0.0648
		DESIGN RESPONSE (Sds)	= 0.0523
GROUND SNOW LOAD (psf)	= 0.0	DESIGN RESPONSE (Sd1)	= 0.0432
ROOF SNOW LOAD (psf)	= 0.0	RES MOD FACTOR (Mom) R	= 3.00
THERMAL COEFFICIENT (Ct)	= 1.20	APP PERIOD (MOMENT) Ta	= 0.2183
IMPORTANCE - SNOW	= 1.00	RES MOD FACTOR (Brc) R	= 3.00
SNOW EXPOSURE (Ce)	= 1.00	APP PERIOD (Braced) Ta	= 0.1371
		TRANVERSE SYSTEM	= MOMENT FRAMES
ULTIMATE WIND (ult) (mph)	= 161.0	LONGITUDINAL SYSTEM (ROOF)	= BRACED FRAMES
NOMINAL WIND (asd) (mph)	= 124.71	LONGITUDINAL SYSTEM (FSW)	= BRACED FRAMES
RISK CATEGORY	= II-NORMAL	LONGITUDINAL SYSTEM (BSW)	= MOMENT FRAME
WIND EXPOSURE	= B		
CLOSED/OPEN/PARTIAL	= PARTIALLY OPEN		
INTERNAL Gcpi	= 0.18 / -0.18		

NOTE: THE SEISMIC ANALYSIS PROCEDURE USED ON THIS STRUCTURE IS THE EQUIVALENT LATERAL FORCE PROCEDURE.

STRUCTURAL STEEL

ASTM# (Plate)	= A529; A572; A1011
PLATE YIELD (Fy)	= 50.0 ksi
ASTM# (Bar)	= A-529; A-570; A-572
PLATE YIELD (Fy)	= 50.0 ksi

LIGHT GAUGE STEEL

ASTM# (Cold-Form)	= A1008; A1011
COLD-FORM YIELD (Fy)	= 55.0 ksi
ASTM# (Panel)	= A792
PANEL YIELD (Fy)	= 80.0 ksi

NOTE: ALL CONNECTION BOLTS ARE DESIGNATED IN THESE DRAWINGS AS EITHER A "M" FOR A307 BOLTS OR A "H" FOR A325 BOLTS.

COMPONENTS AND CLADDING

COMP/CLAD LOCATION	PRES (PSF)	SUCT (PSF)	ROOF SUCT (PSF)
COLUMN	28.1	-31.0	
GIRT/HEADER	28.1	-31.0	
JAMB	28.1	-31.0	
WALL PANEL	34.7	-46.3	
PURLIN	16.0	-29.9	
ROOF PANEL	16.0	-34.7	
LONG. BRACING	15.8	-11.4	-27.2
LONG. BRACING (EDGE ZONE)	24.1	-17.0	

NOTES TO ERECTOR/OWNER:

- [1] "SBS" IS NOT RESPONSIBLE FOR THE ERECTION OF THE BUILDING, THE SUPPLY OF ANY TOOLS OR EQUIPMENT, OR ANY OTHER FIELD WORK UNLESS "SBS" HAS BEEN CONTRACTED FOR THESE. "SBS" DOES NOT PROVIDE ANY FIELD SUPERVISION FOR THE ERECTION OF THE BUILDING, NOR DOES "SBS" PERFORM ANY INSPECTIONS DURING OR AFTER ERECTION.
- [2] USE ONLY THE ERECTION DRAWINGS PROVIDED BY "SBS" AND INCLUDED IN THE ERECTOR'S PACKAGE DELIVERED BY THE TRUCK DRIVER WITH THE BUILDING. "SBS" IS NOT LIABLE FOR ANY CLAIM RESULTING FROM THE USE OF OTHER DRAWINGS.
- [3] CHECK SLAB AND ANCHOR BOLT PLACEMENTS BEFORE STANDING ANY FRAMING. IF THE SLAB IS NOT SIZED CORRECTLY OR IS OUT OF SQUARE, OR IF THE ANCHOR BOLTS ARE NOT CORRECTLY LOCATED, CALL "SBS". "SBS" IS NOT LIABLE FOR LABOR CHARGES RESULTING FROM STANDING FRAMING ON AN INCORRECT SLAB.
- [4] BEGIN ERECTION WITH A BRACED BAY. INSTALL THE EAVE STRUTS FIRST AND THEN THE PURLINS WHICH FALL AT THE CABLE ATTACHMENT POINTS. NEXT, INSTALL ROOF AND WALL CABLES TO A SNUG CONDITION, SO THAT THE FRAMING IS BRACED. FINISH INSTALLING PURLINS AND GIRTS IN THE BRACED BAY. USING THE CABLE BRACING, SQUARE AND PLUMB THE FRAMING. CONTINUE WITH REMAINING BAYS, INSTALLING BRACING AS ADDITIONAL BRACED BAYS ARE ERECTED.
- [5] THE CORRECTION OF MINOR MISFITS BY THE USE OF DRIFT PINS TO DRAW THE COMPONENTS INTO LINE, MODERATE AMOUNTS OF REAMING, CHIPPING AND CUTTING, AND THE REPLACEMENT OF MINOR SHORTAGES OF MATERIAL ARE A NORMAL PART OF ERECTION AND ARE NOT SUBJECT TO CLAIM. CONTACT "SBS" BEFORE MAKING ANY FIELD MODIFICATION TO THE BUILDING. "SBS" DOES NOT PAY CLAIMS FOR ERROR CORRECTION UNLESS APPROVED IN WRITING BY "SBS" BEFOREHAND.

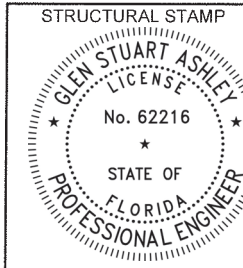
STATUS OF THESE DRAWINGS

- FOR OWNER'S USE - NOT FOR CONSTRUCTION. ENGINEERED BUT NOT DETAILED FOR MANUFACTURE.
- FOR APPROVAL - NOT FOR CONSTRUCTION. ENGINEERED BUT NOT DETAILED FOR MANUFACTURE.
- FOR PERMITTING - FOR CONSTRUCTION. ENGINEERED BUT NOT DETAILED FOR MANUFACTURE.
- FINAL DRAWINGS - FOR CONSTRUCTION. ENGINEERED AND DETAILED FOR MANUFACTURE.
- ERECTION DRAWINGS - FOR CONSTRUCTION. ENGINEERED AND DETAILED FOR MANUFACTURE.
- ANCHOR BOLT PLANS - FOR CONSTRUCTION.

GLEN S ASHLEY IAS

Digitally signed by GLEN S ASHLEY
Date: 2023.11.09
14:00:47 -05'00'

ACCREDITED
Metal Building Systems
AC 472



REVISIONS

[1]
[2]
[3]
[4]
[5]

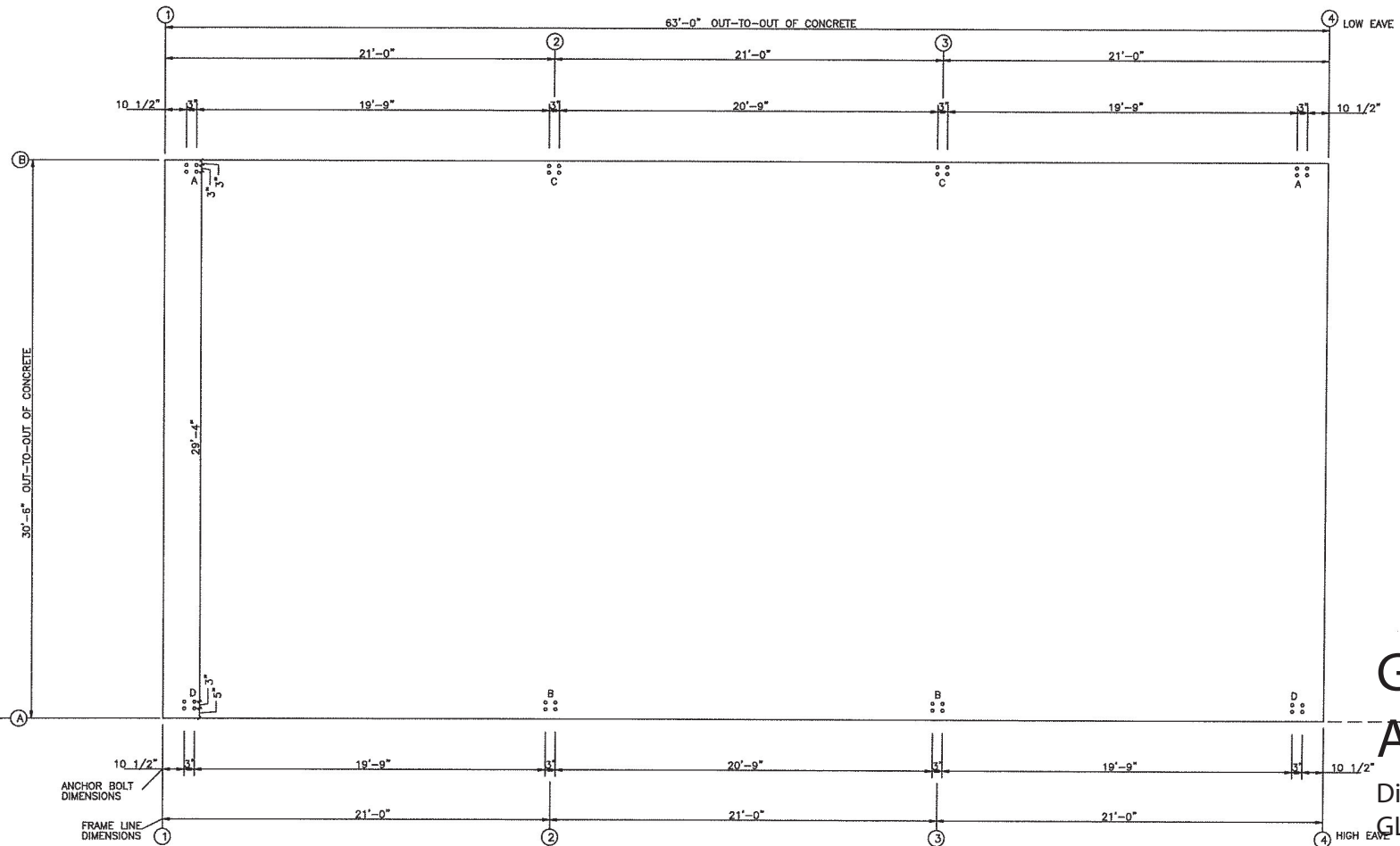
FROM: FT. PIERCE POLICE ATHLETIC LEAGUE
2203 ORANGE AVENUE
FORT PIERCE, FLORIDA 34950
LOCATION: FORT PIERCE, FLORIDA

FROM: STEEL BUILDING SYSTEMS INC.
320 STEVENS LANE P.O. BOX 447
ADEL, GEORGIA 31620
PH: 229.896.7428 FAX: 229.896.2881 www.sbsga.com

JOB NO: 23-11-272
DATE: 11/7/23
BY: MS SCALE: NONE
TITLE: COVER PAGE
NUMBER:

COVER

○ DIA=3/4"



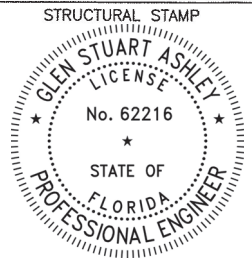
ANCHOR BOLT PLAN
 NOTE: ALL BASE PLATES • 100'-0" (UNLESS NOTED)

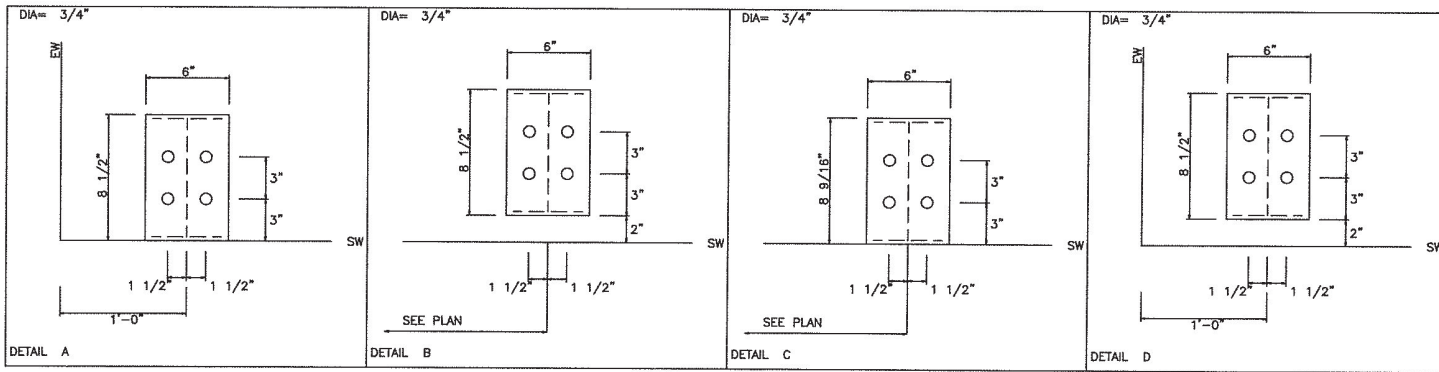
**GLEN S
 ASHLEY**

Digitally signed by
 GLEN S ASHLEY
 Date: 2023.11.08
 14:00:32 -05'00'

← EXISTING BUILDING →

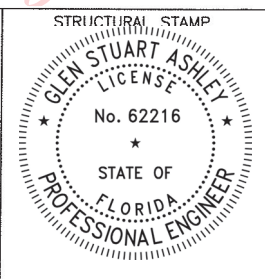
SBS			
STEEL BUILDING SYSTEMS INC.			
REVISIONS	CUSTOMER: FT. PIERCE POLICE ATHLETIC LEAGUE		
[1]	JOB NO: 23-11-272	DATE: 11/ 7/23	
[2]	LOCATION: FORT PIERCE, FLORIDA		
[3]	DRAWING NAME: ANCHOR BOLT LAYOUT	SCALE: NONE	
[4]	DRAWING NO: PAGE 1	DRAWN BY: MS	CHECKED BY:

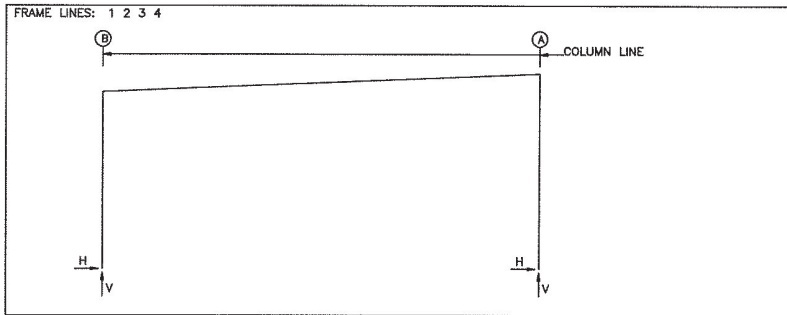




GLEN S ASHLEY Digitally signed by GLEN S ASHLEY
 Date: 2023.11.08 14:00:17 -05'00'

SBS	
STEEL BUILDING SYSTEMS INC.	
REVISIONS	CUSTOMER: FT. PIERCE POLICE ATHLETIC LEAGUE
[1]	JOB NO: 23-11-272 DATE: 11/ 7/23
[2]	LOCATION: FORT PIERCE, FLORIDA
[3]	DRAWING NAME: ANCHOR BOLT DETAILS SCALE: NONE
[4]	DRAWING NO: PAGE 1.1 DRAWN BY: MS CHECKED BY:





RIGID FRAME: MAXIMUM REACTIONS, ANCHOR BOLTS, & BASE PLATES

FRM LINE	COL LINE	Column_Reactions(k)						Bolt(QTY)	DIA	BASE_PLATE(IN)			ELEV. (in)
		LOAD Id	HMAX H	V VMAX	LOAD Id	HMIN H	V VMIN			WIDTH	LENGTH	THICK	
1	B	2	1.4	1.7	6	-2.0	-2.0	4	0.750	6.000	8.500	0.375	0.0
		1	1.1	3.6	5	-1.9	-3.5						
		1	1.7	-0.9	1	-1.1	3.6						
1	A	7	1.7	-0.9	1	-1.1	3.6	4	0.750	6.000	8.500	0.375	0.0
		1	-1.1	3.6	9	0.1	-3.1						

RIGID FRAME: MAXIMUM REACTIONS, ANCHOR BOLTS, & BASE PLATES

FRM LINE	COL LINE	Column_Reactions(k)						Bolt(QTY)	DIA	BASE_PLATE(IN)			ELEV. (in)
		LOAD Id	HMAX H	V VMAX	LOAD Id	HMIN H	V VMIN			WIDTH	LENGTH	THICK	
2	B	4	2.6	0.2	6	-3.7	-3.9	4	0.750	6.000	8.563	0.375	0.0
		1	1.5	4.7	8	-1.6	-8.6						
		1	3.2	-1.9	3	-1.7	-0.3						
2	A	7	3.2	-1.9	3	-1.7	-0.3	4	0.750	6.000	8.500	0.375	0.0
		1	-1.5	4.7	5	-0.3	-5.1						

RIGID FRAME: MAXIMUM REACTIONS, ANCHOR BOLTS, & BASE PLATES

FRM LINE	COL LINE	Column_Reactions(k)						Bolt(QTY)	DIA	BASE_PLATE(IN)			ELEV. (in)
		LOAD Id	HMAX H	V VMAX	LOAD Id	HMIN H	V VMIN			WIDTH	LENGTH	THICK	
3	B	4	2.6	0.2	6	-3.7	-3.9	4	0.750	6.000	8.563	0.375	0.0
		1	1.5	4.7	8	-1.6	-8.6						
		1	3.2	-1.9	3	-1.7	-0.3						
3	A	7	3.2	-1.9	3	-1.7	-0.3	4	0.750	6.000	8.500	0.375	0.0
		1	-1.5	4.7	5	-0.3	-5.1						

RIGID FRAME: MAXIMUM REACTIONS, ANCHOR BOLTS, & BASE PLATES

FRM LINE	COL LINE	Column_Reactions(k)						Bolt(QTY)	DIA	BASE_PLATE(IN)			ELEV. (in)
		LOAD Id	HMAX H	V VMAX	LOAD Id	HMIN H	V VMIN			WIDTH	LENGTH	THICK	
4	B	2	1.4	1.7	6	-2.0	-2.0	4	0.750	6.000	8.500	0.375	0.0
		1	1.1	3.6	5	-1.9	-3.5						
		1	1.7	-0.9	1	-1.1	3.6						
4	A	7	1.7	-0.9	1	-1.1	3.6	4	0.750	6.000	8.500	0.375	0.0
		1	-1.1	3.6	9	0.1	-3.1						

NOTES FOR REACTIONS

- ALL LOADING CONDITIONS ARE EXAMINED AND ONLY MAXIMUM/MINIMUM H OR V AND THE CORRESPONDING H OR V ARE REPORTED.
- POSITIVE REACTIONS ARE AS SHOWN IN THE SKETCH. FOUNDATION LOADS ARE IN OPPOSITE DIRECTIONS.
- BRACING REACTIONS ARE IN THE PLANE OF THE BRACE WITH THE H POINTING AWAY FROM THE BRACED BAY. THE VERTICAL REACTION IS DOWNWARD.
- BUILDING REACTIONS ARE BASED ON THE FOLLOWING BUILDING DATA:

WIDTH (ft)	=	30.3
LENGTH (ft)	=	83.0
EAVE HEIGHT (ft)	=	12.4/ 13.7
ROOF SLOPE (RISE/12)	=	0.5
DEAD LOAD (psf)	=	2.0
COLLATERAL LOAD (psf)	=	0.0
ROOF LIVE LOAD (psf)	=	20.0
FRAME LIVE LOAD		
Min(psf)	=	12.0
Max(psf)	=	17.6
WIND SPEED (mph)	=	161.0
WIND CODE	=	FBC 20 (IBC 18)
EXPOSURE	=	B
Closure	=	Partially Open
IMPORTANCE WIND	=	1.00
IMPORTANCE SEISMIC	=	1.00
SEISMIC Zone	=	A
SEISMIC COEFF (FoSS)	=	0.08

5. LOADING CONDITIONS ARE:

- Dead+Collateral+Live
- Dead+Collateral+0.75Live+0.45Wind_Right1
- Dead+Collateral+0.75Live+0.45Wind_Long1R
- Dead+Collateral+0.75Live+0.45Wind_Long2L
- 0.6Dead+0.6Wind_Left1
- 0.6Dead+0.6Wind_Left2
- 0.6Dead+0.6Wind_Right2
- 0.6Dead+0.6Wind_Long1L
- 0.6Dead+0.6Wind_Long1R

ANCHOR BOLT SUMMARY

QTY	LOCATE	DIA (in)	TYPE	PROJ. (in)
0 32	FRAME	3/4"	F1554	2.50

BUILDING BRACING REACTIONS

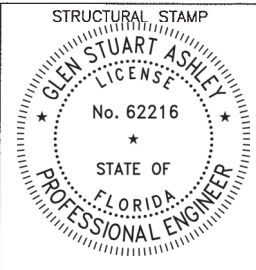
WALL LOC LINE	COL LINE	Reactions(k)				Panel_Shear (lb/ft)		Note
		WIND HORZ	SEISMIC VERT	WIND VERT	SEISMIC HORZ	WIND	Seis	
L_EW 1								(h)
F_SW A		Torsional Bracing Used						
R_EW 4								(h)
B_SW B	2,3	3.0	3.0	0.1	0.1			(b)

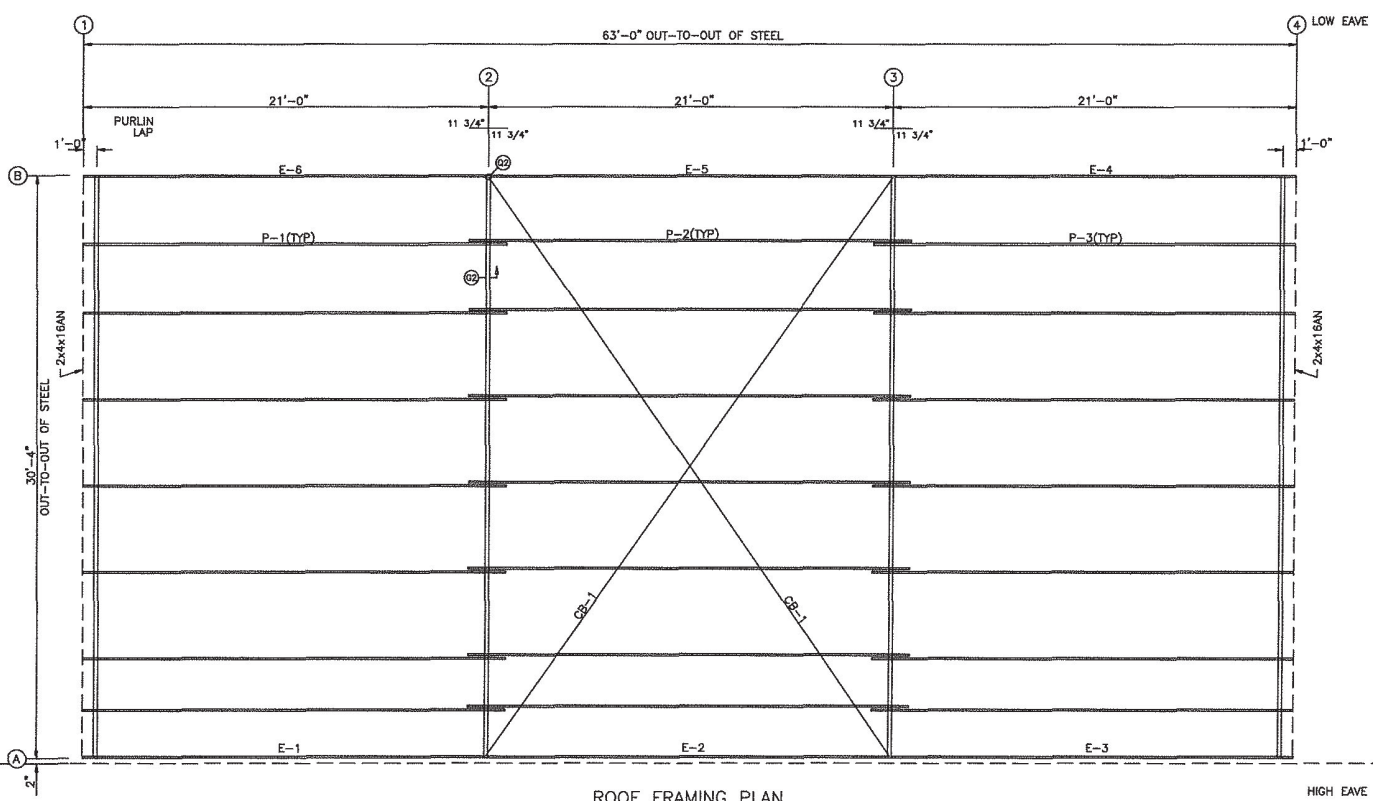
(h) Wind bent in bay, base above finish floor
 (b) Rigid frame at endwall

REACTIONS for seismic represent shear force, Eh

GLEN S ASHLEY Digitally signed by GLEN S ASHLEY
 Date: 2023.11.08 14:00:00 -05'00'

SBS		STEEL BUILDING SYSTEMS INC.	
REVISIONS	CUSTOMER: FT. PIERCE POLICE ATHLETIC LEAGUE		
[1]	JOB NO: 23-11-272	DATE: 11/ 7/23	
[2]	LOCATION: FORT PIERCE, FLORIDA		
[3]	DRAWING NAME: ANCHOR BOLT REACTIONS		SCALE: NONE
[4]	DRAWING NO: PAGE 1.2	DRAWN BY: MS	CHECKED BY:





MEMBER TABLE			
ROOF PLAN			
MARK	PART	LENGTH	
P-1	8x25Z16	21'-11 1/2"	
P-2	8x25Z16	22'-11 1/2"	
P-3	8x25Z16	21'-11 1/2"	
E-1	8ES14@.5	20'-11 1/2"	
E-2	8ES14@.5	20'-11 1/2"	
E-3	8ES14@.5	20'-11 1/2"	
E-4	8ES14@.5	20'-11 1/2"	
E-5	8ES14@.5	20'-11 1/2"	
E-6	8ES14@.5	20'-11 1/2"	
CB-1	1/4 CBL	34'-11 1/16"	

ROOF FRAMING PLAN

GLEN S ASHLEY Digitally signed by GLEN S ASHLEY
 Date: 2023.11.08 13:59:46 -05'00'

EXISTING BUILDING

STEEL BUILDING SYSTEMS INC.

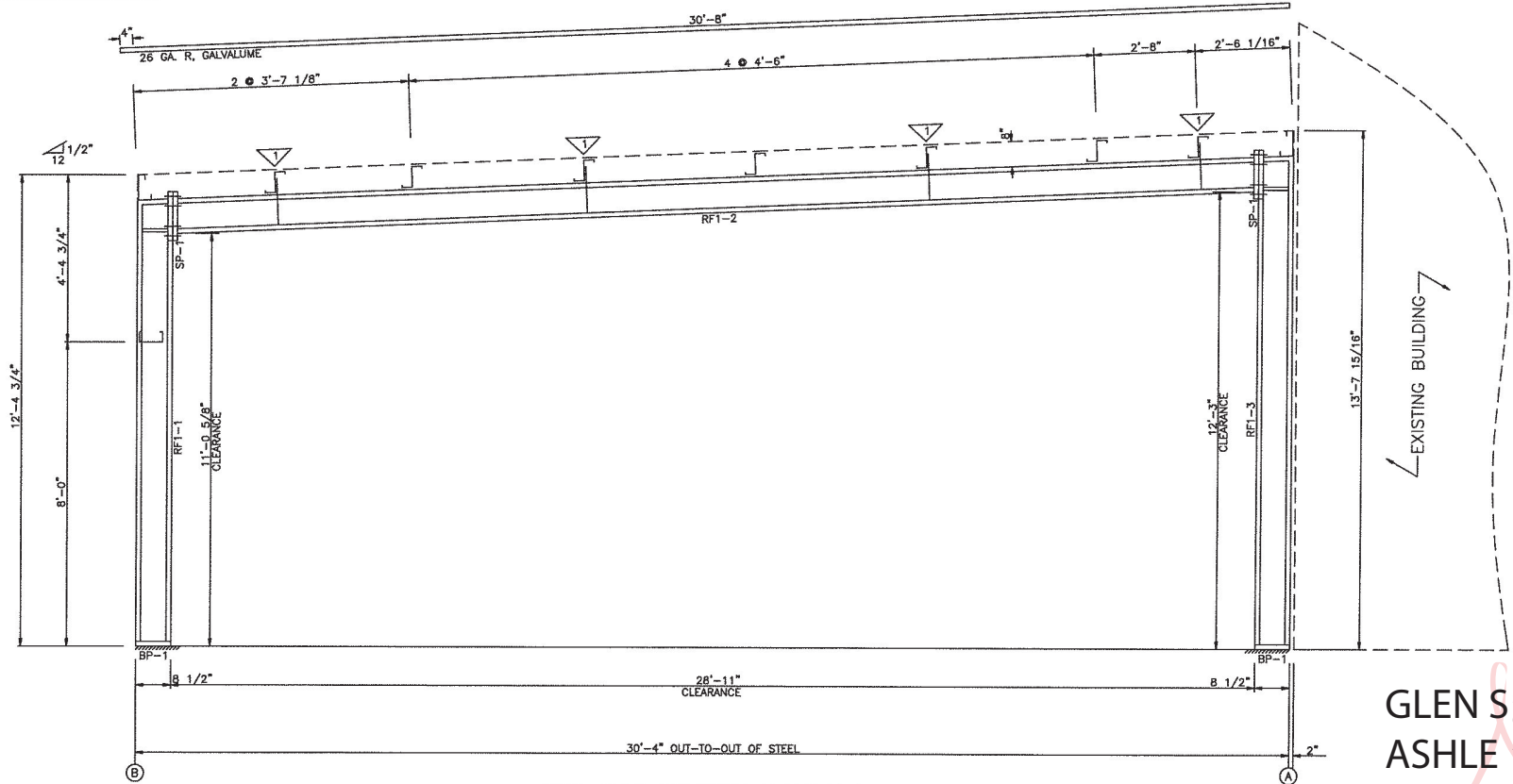
STRUCTURAL STAMP

REVISIONS	CUSTOMER: FT. PIERCE POLICE ATHLETIC LEAGUE	
[1]	JOB NO.: 23-11-272	DATE: 11/ 7/23
[2]	LOCATION: FORT PIERCE, FLORIDA	
[3]	DRAWING NAME: ROOF FRAMING LAYOUT	SCALE: NONE
[4]	DRAWING NO.: PAGE 2	DRAWN BY: MS CHECKED BY:

SPLICE BOLT TABLE						
MARK	QTY	TOP	BOT	INT	TYPE DIA	LENGTH
SP-1	4	4	0	A325	5/8"	2 1/2"

FLANGE BRACE TABLE			
FRAME LINE 1			
ID	SIDES	MARK	LENGTH
1	1	FB1	2'-3 3/16"

BASE PLATE TABLE			
COL	MARK	PLATE SIZE	LENGTH
		WIDTH THICK	
BP-1	6"	3/8"	8 1/2"



RIGID FRAME ELEVATION: FRAME LINE 1

MARK	WEB DEPTH		WEB PLATE		OUTSIDE FLANGE		INSIDE FLANGE	
	START	END	THICK	LENGTH	W x THK	x LENGTH	W x THK	x LENGTH
RF1-1	8.0'	8.0'	0.135	10'-8 3/8"	5"	1/4" x 11'-8 1/8"	5"	1/4" x 10'-8 3/8"
	8.0'	8.0'	0.188	1'-0 1/8"	5"	1/4" x 8 1/4"		
RF1-2	8.0'	8.0'	0.135	14'-10"	5"	1/4" x 20'-0"	5"	1/4" x 20'-0"
	8.0'	8.0'	0.135	14'-0 5/8"	5"	1/4" x 8'-10 5/16"	5"	1/4" x 8'-10 5/16"
	8.0'	8.0'	0.188	1'-0 1/2"	5"	1/4" x 8 1/4"		
RF1-3	8.0'	8.0'	0.135	11'-10 13/16"	5"	1/4" x 12'-11 1/4"		

Digitally signed by
GLEN S
ASHLEY
Y
 Date:
 2023.11.08
 13:59:31
 -05'00'

SBS
STEEL BUILDING SYSTEMS INC.

REVISIONS	CUSTOMER: FT. PIERCE POLICE ATHLETIC LEAGUE	
[1]	JOB NO: 23-11-272	DATE: 11/ 7/23
[2]	LOCATION: FORT PIERCE, FLORIDA	
[3]	DRAWING NAME: RIGID FRAME CROSS SECTION	SCALE: NONE
[4]	DRAWING NO: PAGE 2.1	DRAWN BY: MS CHECKED BY:

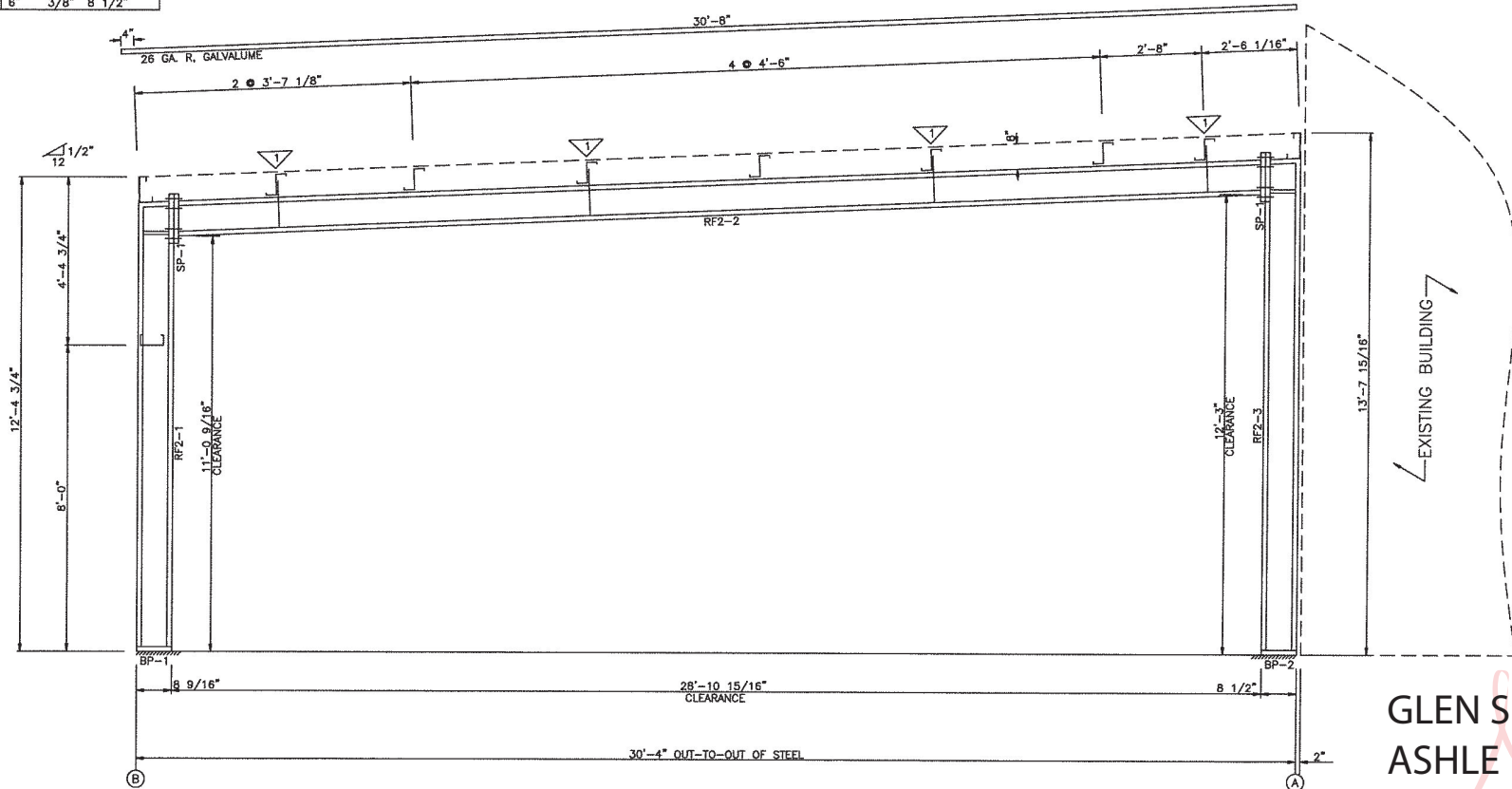
STRUCTURAL STAMP

GLEN STUART ASHLEY
 LICENSE
 No. 62216
 STATE OF
 FLORIDA
 PROFESSIONAL ENGINEER

SPLICE BOLT TABLE					
MARK	QTY	TOP	BOT	INT	TYPE DIA LENGTH
SP-1	4	4	0	A325	5/8" 2 1/2"

FLANGE BRACE TABLE			
FRAME LINE 2			
V ID	SIDES	MARK	LENGTH
1	1	FB1	2'-3 3/16"

BASE PLATE TABLE			
COL	PLATE SIZE		
MARK	WIDTH THICK	LENGTH	
BP-1	6" 3/8"	8 9/16"	
BP-2	6" 3/8"	8 1/2"	



RIGID FRAME ELEVATION: FRAME LINE 2

GLEN S Digitally signed
ASHLEY by GLEN S
Y ASHLEY
 Date:
 2023.11.08
 13:59:18 -05'00'

MARK	WEB DEPTH		WEB PLATE		OUTSIDE FLANGE		INSIDE FLANGE	
	START	END	THICK	LENGTH	W x THK	x LENGTH	W x THK	x LENGTH
RF2-1	8.0	8.0	0.135	10'-8 5/16"	5 x 1/4"	x 11'-8 1/8"	5 x 5/16"	x 10'-8 5/16"
RF2-2	8.0	8.0	0.135	1'-0 1/8"	5 x 1/4"	x 8 1/4"	5 x 5/16"	x 4'-10 7/16"
	8.0	8.0	0.135	14'-10"	5 x 1/4"	x 20'-0"	5 x 1/4"	x 20'-0"
RF2-3	8.0	8.0	0.135	14'-0 1/8"	5 x 1/4"	x 8'-9 13/16"	5 x 1/4"	x 3'-11 3/8"
	8.0	8.0	0.135	1'-0 1/2"	5 x 1/4"	x 8 1/4"	5 x 1/4"	x 11'-10 13/16"
	8.0	8.0	0.135	11'-10 13/16"	5 x 1/4"	x 12'-11 1/4"		

STEEL BUILDING SYSTEMS INC.

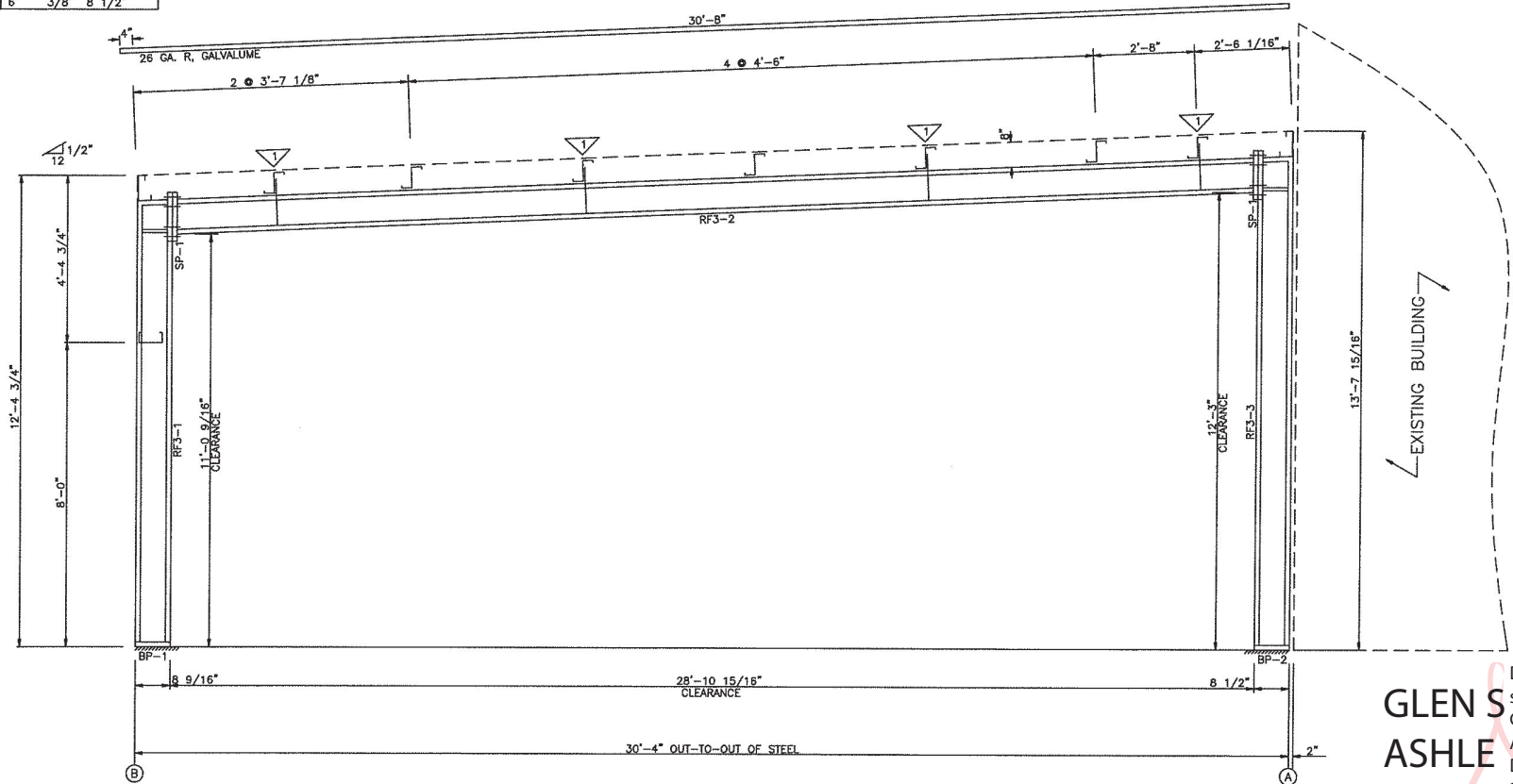
STRUCTURAL STAMP

REVISIONS		CUSTOMER: FT. PIERCE POLICE ATHLETIC LEAGUE	
[1]	JOB NO: 23-11-272	DATE: 11/ 7/23	
[2]	LOCATION: FORT PIERCE, FLORIDA		
[3]	DRAWING NAME: RIGID FRAME CROSS SECTION		SCALE: NONE
[4]	DRAWING NO: PAGE 2.2	DRAWN BY: MS	CHECKED BY:

SPLICE BOLT TABLE					
MARK	QTY	TOP	BOT	INT	TYPE DIA LENGTH
SP-1	4	4	0	A325	5/8" 2 1/2"

FLANGE BRACE TABLE			
FRAME LINE 3			
V ID	#	MARK	LENGTH
1	1	FB1	2'-3 3/16"

BASE PLATE TABLE			
COL MARK	PLATE WIDTH	PLATE THICK	PLATE SIZE LENGTH
BP-1	6"	3/8"	8 9/16"
BP-2	6"	3/8"	8 1/2"

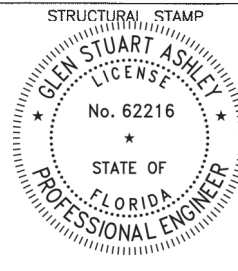


RIGID FRAME ELEVATION: FRAME LINE 3

MARK	WEB DEPTH		WEB PLATE THICK	WEB PLATE LENGTH	OUTSIDE FLANGE		INSIDE FLANGE	
	START	END			W x THK	x LENGTH	W x THK	x LENGTH
RF3-1	8.0	8.0	0.135	10'-8 5/16"	5 x 1/4"	x 11'-8 1/8"	5 x 5/16"	x 10'-8 5/16"
RF3-2	8.0	8.0	0.135	1'-0 1/8"	5 x 1/4"	x 8 1/4"	5 x 1/4"	x 20'-0"
	8.0	8.0	0.135	14'-10"	5 x 1/4"	x 20'-0"	5 x 5/16"	x 4'-10 7/16"
RF3-3	8.0	8.0	0.135	14'-0 1/8"	5 x 1/4"	x 8'-9 13/16"	5 x 1/4"	x 20'-0"
	8.0	8.0	0.135	1'-0 1/2"	5 x 1/4"	x 8 1/4"	5 x 1/4"	x 3'-11 3/8"
	8.0	8.0	0.135	11'-10 13/16"	5 x 1/4"	x 12'-11 1/4"	5 x 1/4"	x 11'-10 13/16"

SBS	
STEEL BUILDING SYSTEMS INC.	
REVISIONS	CUSTOMER: FT. PIERCE POLICE ATHLETIC LEAGUE
[1]	JOB NO: 23-11-272 DATE: 11/ 7/23
[2]	LOCATION: FORT PIERCE, FLORIDA
[3]	DRAWING NAME: RIGID FRAME CROSS SECTION SCALE: NONE
[4]	DRAWING NO: PAGE 2.3 DRAWN BY: MS CHECKED BY:

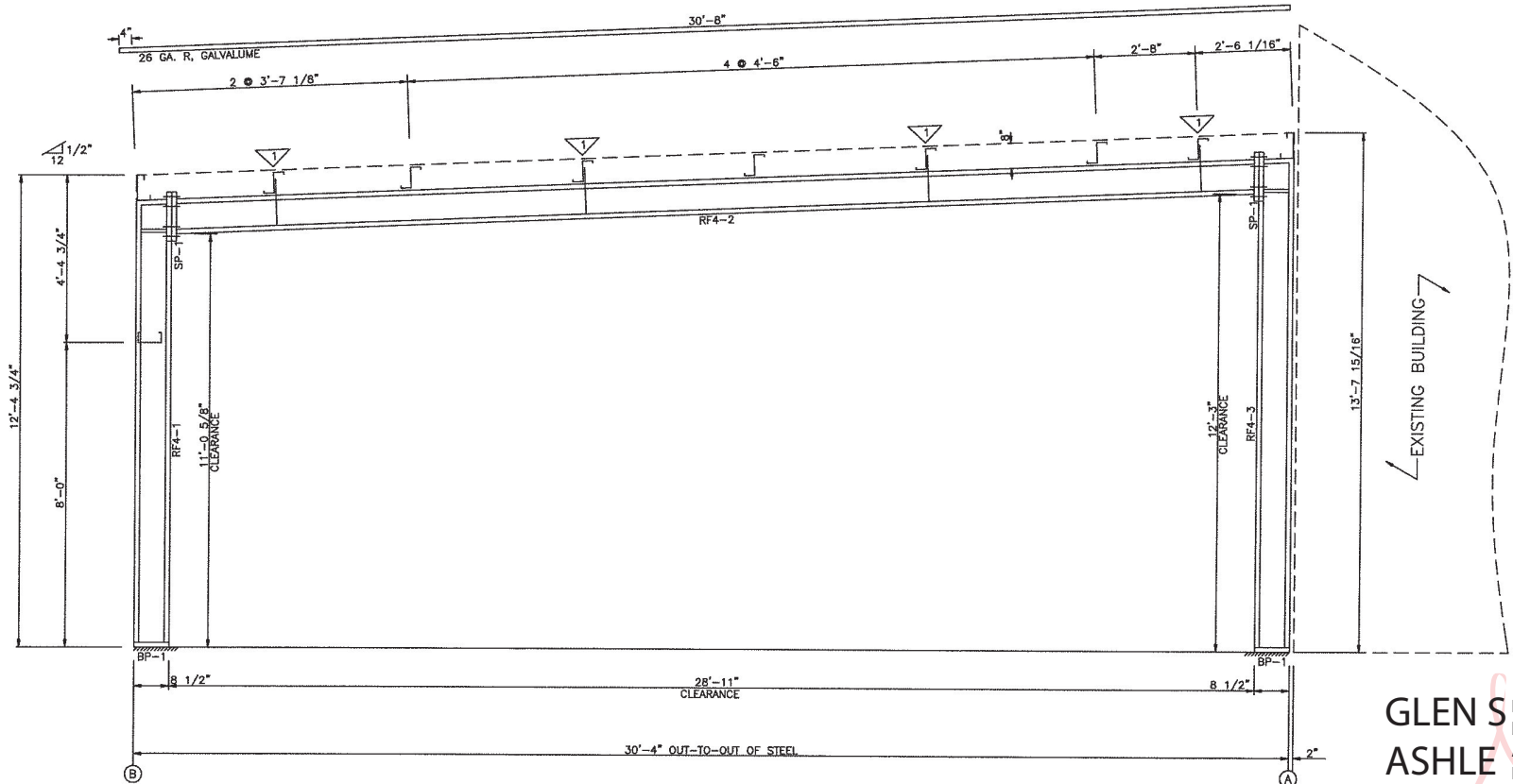
Digitally signed by
GLEN S
ASHLEY
Y
 Date: 2023.11.08 13:59:05 -05'00'



SPLICE BOLT TABLE							
MARK	QTY	TOP	BOT	INT	TYPE	DIA	LENGTH
SP-1	4	4	0	A325	5/8"	2	1/2"

BASE PLATE TABLE				
COL	PLATE SIZE	WIDTH	THICK	LENGTH
BP-1	6"	3/8"	8	1/2"

FLANGE BRACE TABLE			
FRAME LINE 4			
∇ ID	SIDES	MARK	LENGTH
1	1	FB1	2'-3 3/16"

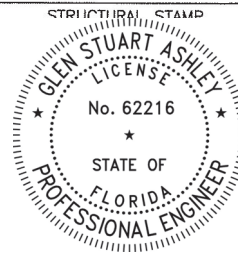


RIGID FRAME ELEVATION: FRAME LINE 4

MARK	WEB DEPTH		WEB PLATE	OUTSIDE FLANGE		INSIDE FLANGE	
	START	END		W	THK	W	THK
RF4-1	8.0	8.0	0.135	10'-8 3/8"	5 x 1/4"	11'-8 1/8"	5 x 1/4" x 10'-8 3/8"
RF4-2	8.0	8.0	0.188	1'-0 1/8"	5 x 1/4"	8 1/4"	5 x 1/4" x 20'-0"
RF4-3	8.0	8.0	0.135	14'-0 5/8"	5 x 1/4"	8'-10 5/16"	5 x 1/4" x 8'-10 5/16"
	8.0	8.0	0.188	1'-0 1/2"	5 x 1/4"	8 1/4"	5 x 1/4" x 11'-10 13/16"
	8.0	8.0	0.135	11'-10 13/16"	5 x 1/4"	12'-11 1/4"	5 x 1/4" x 11'-10 13/16"

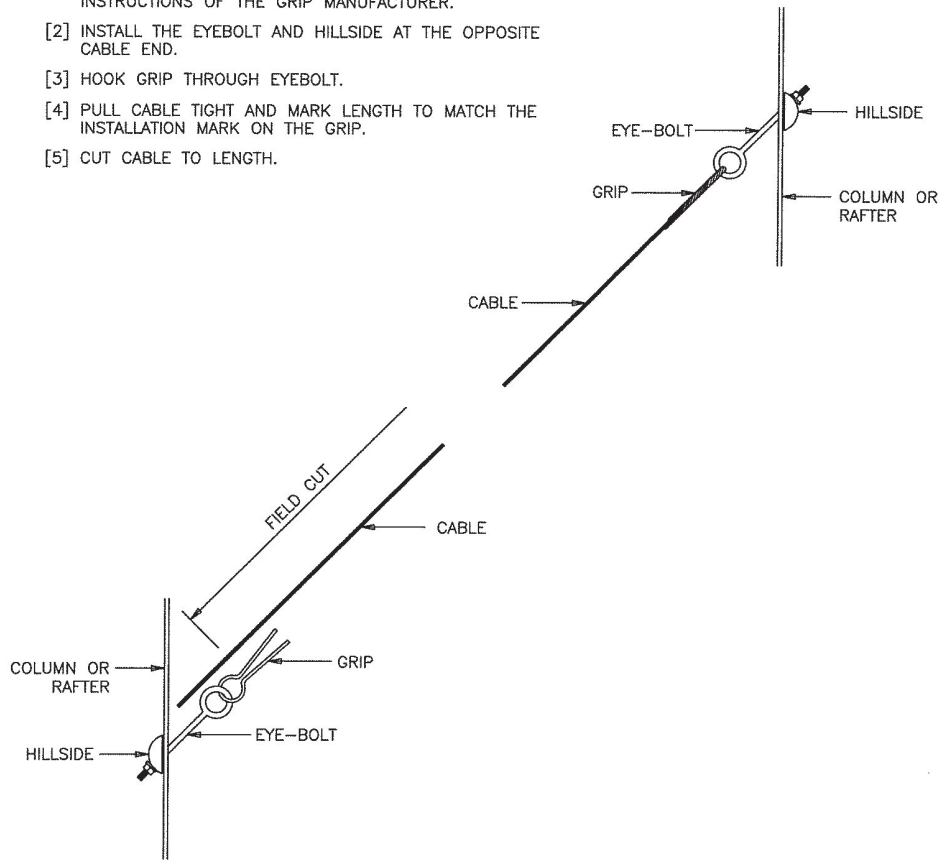
GLEN S Digitally signed
ASHLEY by GLEN S
Y ASHLEY
 Date:
 2023.11.08
 13:58:47 -05'00'

SBS	
STEEL BUILDING SYSTEMS INC.	
REVISIONS	CUSTOMER: FT. PIERCE POLICE ATHLETIC LEAGUE
[1]	JOB NO: 23-11-272 DATE: 11/ 7/23
[2]	LOCATION: FORT PIERCE, FLORIDA
[3]	DRAWING NAME: RIGID FRAME CROSS SECTION SCALE: NONE
[4]	DRAWING NO: PAGE 2.4 DRAWN BY: MS CHECKED BY:

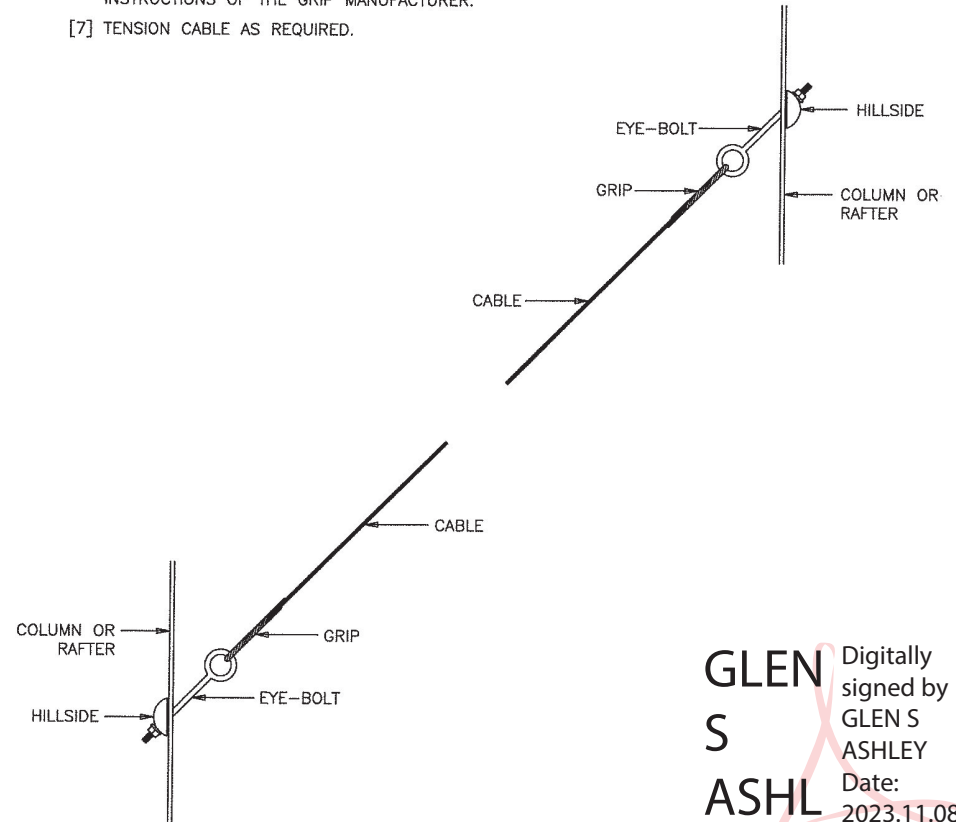


SBS SUPPLIES CABLES CUT TO THE NEAREST FOOT LONGER THAN THE REQUIRED LENGTH. FOLLOW THESE INSTRUCTIONS FOR CABLE INSTALLATION.

- [1] INSTALL ONE END OF THE CABLE FOLLOWING THE INSTRUCTIONS OF THE GRIP MANUFACTURER.
- [2] INSTALL THE EYEBOLT AND HILLSIDE AT THE OPPOSITE CABLE END.
- [3] HOOK GRIP THROUGH EYEBOLT.
- [4] PULL CABLE TIGHT AND MARK LENGTH TO MATCH THE INSTALLATION MARK ON THE GRIP.
- [5] CUT CABLE TO LENGTH.

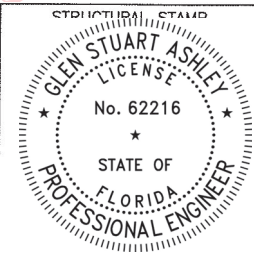


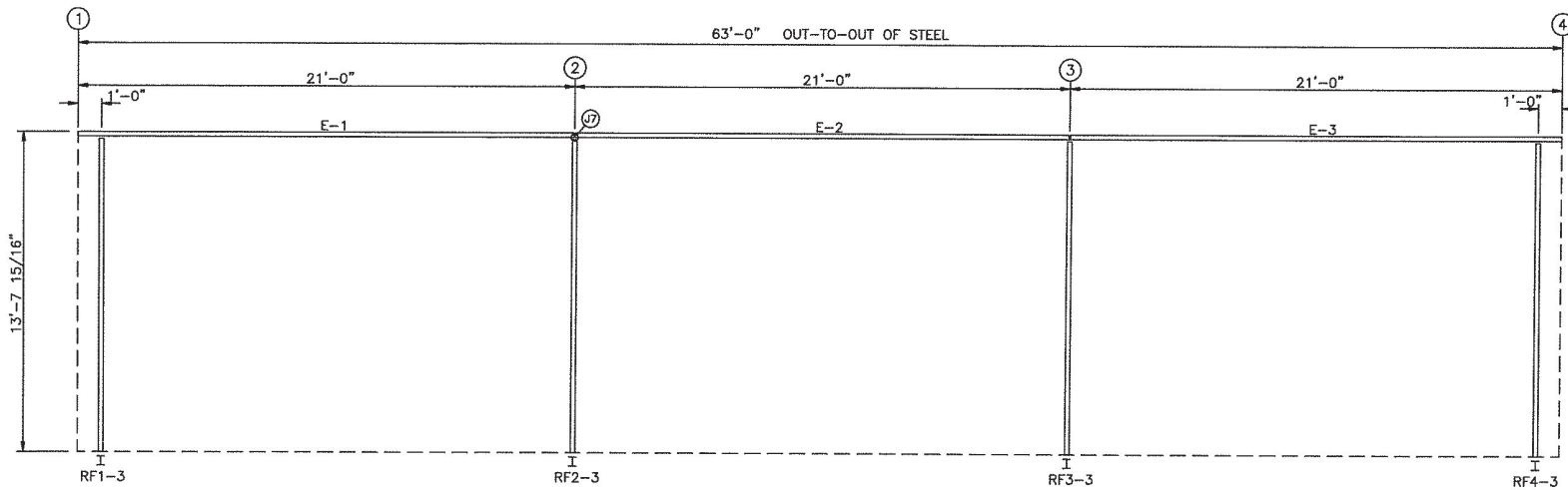
- [6] INSTALL CUT END OF THE CABLE FOLLOWING THE INSTRUCTIONS OF THE GRIP MANUFACTURER.
- [7] TENSION CABLE AS REQUIRED.



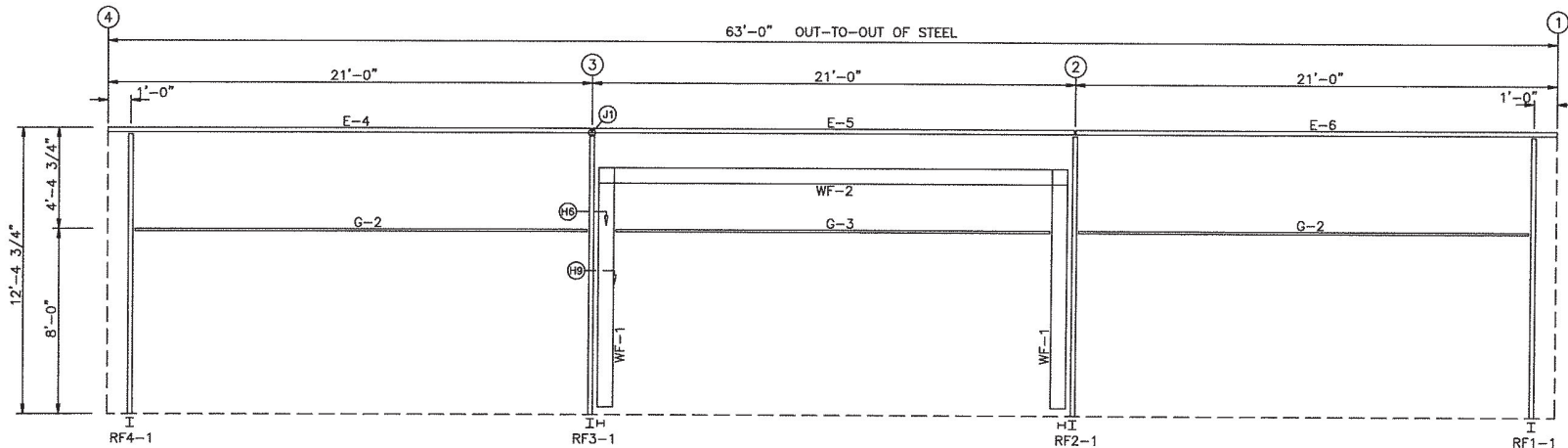
GLEN S ASHLEY Digitally signed by GLEN S ASHLEY
 Date: 2023.11.08 13:58:31 -05'00'

SBS STEEL BUILDING SYSTEMS INC.			
REVISIONS	CUSTOMER: FT. PIERCE POLICE ATHLETIC LEAGUE		
[1]	JOB NO: 23-11-272	DATE: 11/ 7/23	
[2]	LOCATION: FORT PIERCE, FLORIDA		
[3]	DRAWING NAME: CABLE BRACING DETAILS	SCALE: NONE	
[4]	DRAWING NO: PAGE 2.5	DRAWN BY: MS	CHECKED BY:





SIDEWALL FRAMING: FRAME LINE A




SIDEWALL FRAMING: FRAME LINE B

**GLEN S
ASHLEY**

Digitally signed by
GLEN S ASHLEY
Date: 2023.11.08
13:58:14 -05'00'

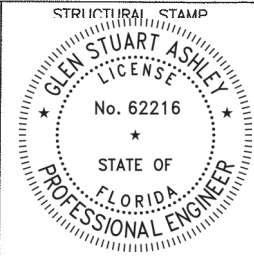
BOLT TABLE FRAME LINE A & B				
LOCATION	QUAN	TYPE	DIA	LENGTH
WF-1 - WF-2	8	A325	5/8"	2 1/2"
WF-1 - RF3-1	10	A325	5/8"	2 1/2"
WF-1 - RF2-1	10	A325	5/8"	2 1/2"

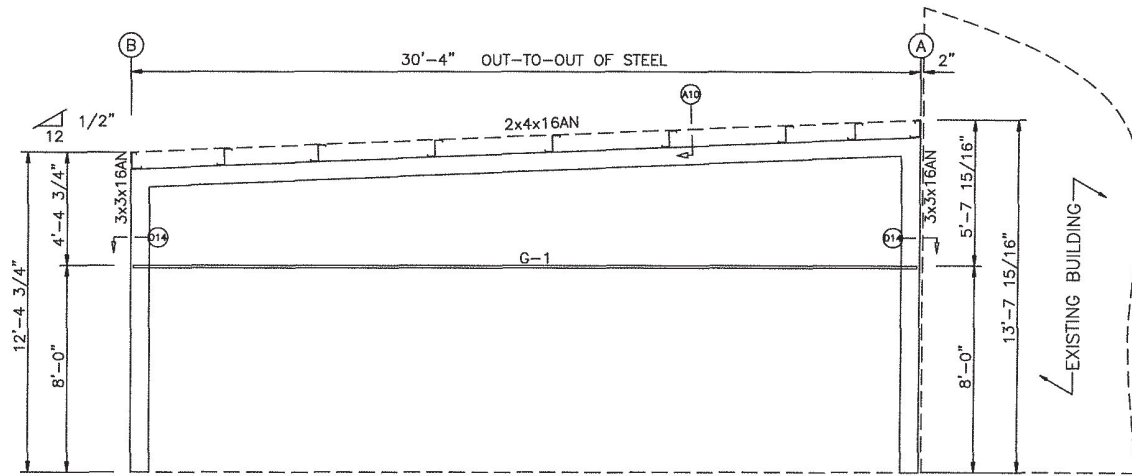
MEMBER TABLE FRAME LINE A & B		
MARK	PART	LENGTH
WF-1	BBX11.9	10'-6 3/4"
WF-2	BBX11.9	19'-7 1/2"
E-1	BES14@.5	20'-11 1/2"
E-2	BES14@.5	20'-11 1/2"
E-3	BES14@.5	20'-11 1/2"
E-4	BES14@.5	20'-11 1/2"
E-5	BES14@.5	20'-11 1/2"
E-6	BES14@.5	20'-11 1/2"
G-2	8x25C16	19'-3 1/2"
G-3	8x25C16	19'-7 1/4"



STEEL BUILDING SYSTEMS INC.

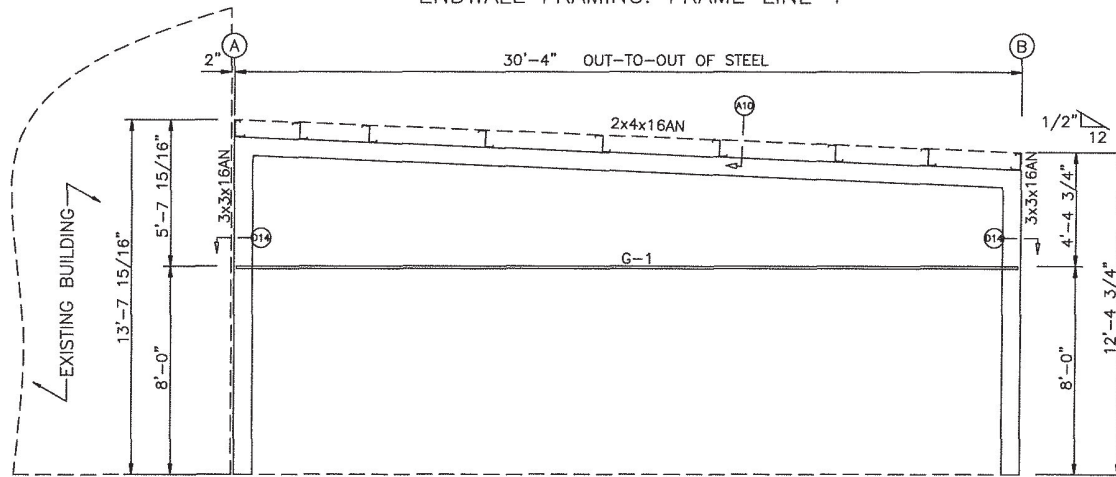
REVISIONS	CUSTOMER: FT. PIERCE POLICE ATHLETIC LEAGUE	
[1]	JOB NO: 23-11-272	DATE: 11/ 7/23
[2]	LOCATION: FORT PIERCE, FLORIDA	
[3]	DRAWING NAME: SIDEWALL FRAMING LAYOUT	SCALE: NONE
[4]	DRAWING NO: PAGE 3	DRAWN BY: MS CHECKED BY:





ENDWALL FRAMING: FRAME LINE 1

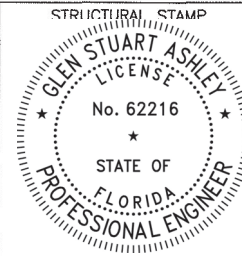
MEMBER TABLE		
FRAME LINE 1 & 4		
MARK	PART	LENGTH
G-1	8x25C12	30'-3 1/2"

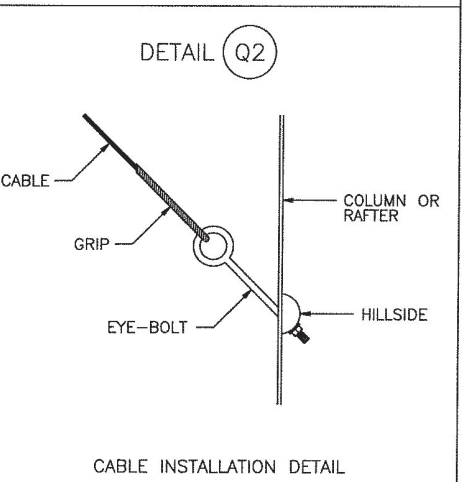
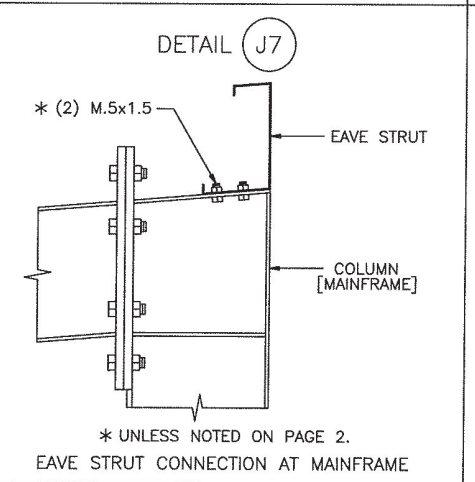
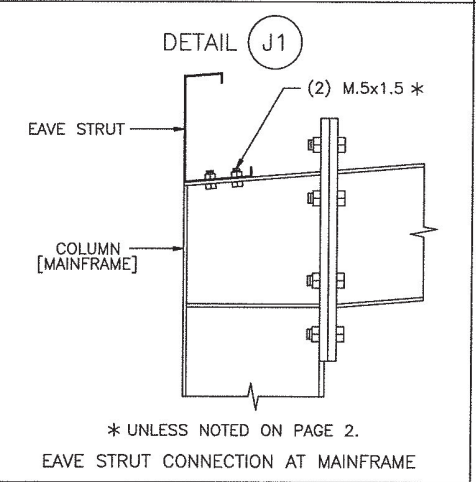
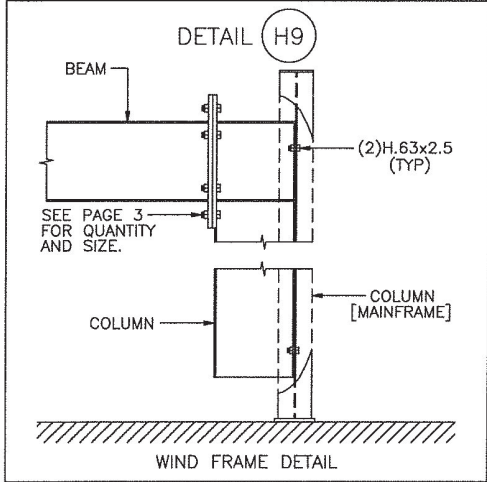
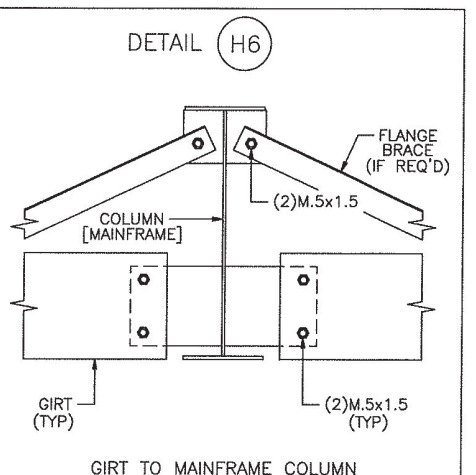
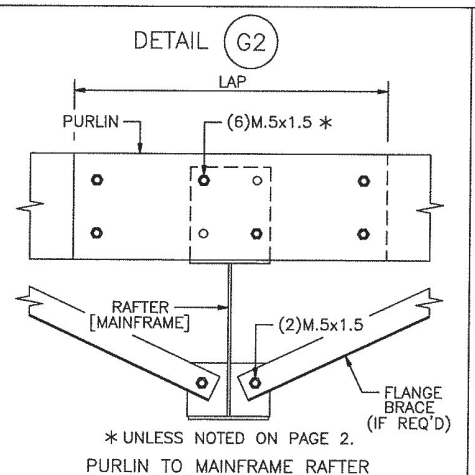
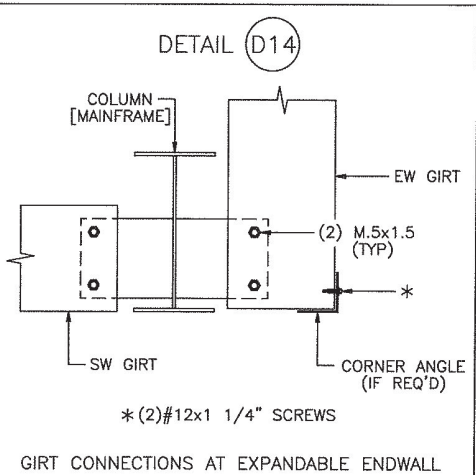
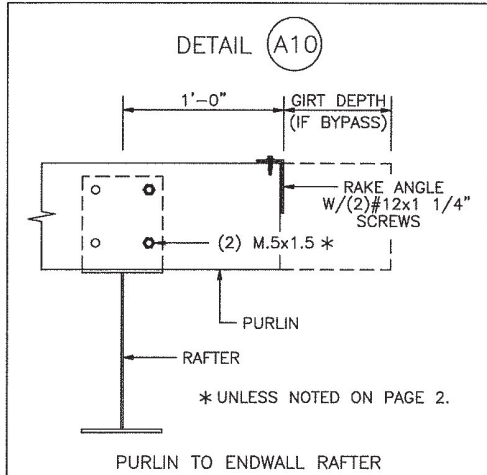


ENDWALL FRAMING: FRAME LINE 4

GLEN S ASHLEY Digitally signed by GLEN S ASHLEY
 Date: 2023.11.08 13:57:59 -05'00'

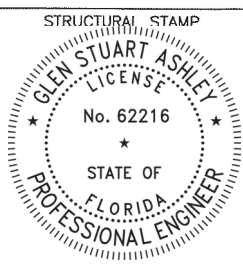
SBS STEEL BUILDING SYSTEMS INC.		
REVISIONS	CUSTOMER: FT. PIERCE POLICE ATHLETIC LEAGUE	
[1]	JOB NO: 23-11-272	DATE: 11/ 7/23
[2]	LOCATION: FORT PIERCE, FLORIDA	
[3]	DRAWING NAME: ENDWALL FRAMING LAYOUT	SCALE: NONE
[4]	DRAWING NO: PAGE 4	DRAWN BY: MS CHECKED BY:





Digitally signed by
GLEN S ASHLEY
 Date: 2023.11.08 13:57:46 -05'00'

SBS	
STEEL BUILDING SYSTEMS INC.	
REVISIONS	CUSTOMER: FT. PIERCE POLICE ATHLETIC LEAGUE
[1]	JOB NO: 23-11-272 DATE: 11/ 7/23
[2]	LOCATION: FORT PIERCE, FLORIDA
[3]	DRAWING NAME: FRAMING DETAILS SCALE: NONE
[4]	DRAWING NO: PAGE 5 DRAWN BY: MS CHECKED BY:



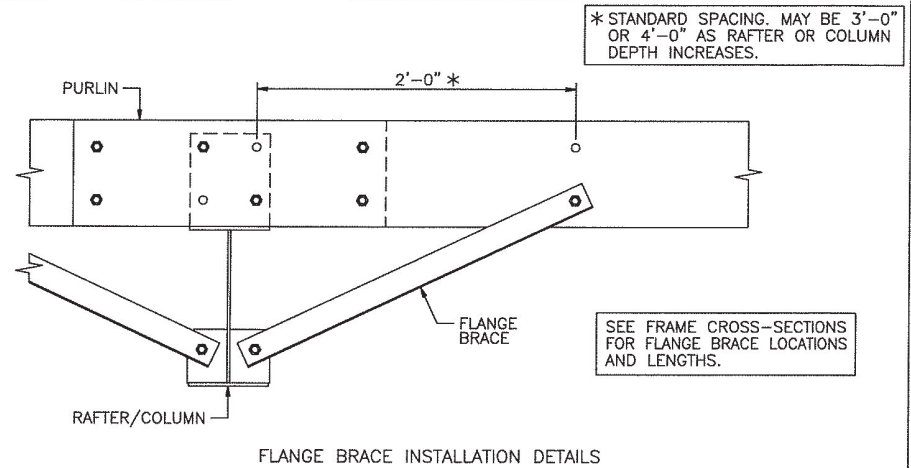
NOTE:

THE PROPER TIGHTENING AND INSPECTION OF ALL FASTENERS IS THE RESPONSIBILITY OF THE ERECTOR. ALL HEAVY STRUCTURAL (A325, A490) BOLTS AND NUTS MUST BE TIGHTENED TO A SNUG-TIGHTENED CONDITION AS SHOWN BELOW. A325 AND A490 BOLTS ARE DESIGNATED BY "SBS" WITH A "H". (ex: H.63x2.0 OR H.75x2.75)

SNUG-TIGHTENED CONDITION:

ALL BOLTED JOINTS WITH A325 TYPE 1 BOLTS ARE SPECIFIED AS SNUG-TIGHTENED JOINTS, UNLESS NOTED OTHERWISE, IN ACCORDANCE WITH THE "SPECIFICATION FOR STRUCTURAL JOINTS USING ASTM A325 OR A490 BOLTS, JUNE 30, 2004." PRETENSIONING METHODS, INCLUDING TURN-OF-NUT AND CALIBRATED WRENCH, ARE NOT REQUIRED UNLESS NOTED OTHERWISE.

THE SNUG-TIGHTENED CONDITION IS DEFINED AS "THE TIGHTNESS THAT IS ATTAINED WITH A FEW IMPACTS OF AN IMPACT WRENCH OR THE FULL EFFORT OF AN IRON-WORKER USING AN ORDINARY SPUD WRENCH TO BRING THE PLIES INTO FIRM CONTACT." FIRM CONTACT IS FURTHER DEFINED AS "THE CONDITION WHEN THE PLANES OF CONTACT BETWEEN TWO PLIES ARE SOLIDLY SEATED AGAINST EACH OTHER, BUT NOT NECESSARILY IN CONTINUOUS CONTACT."

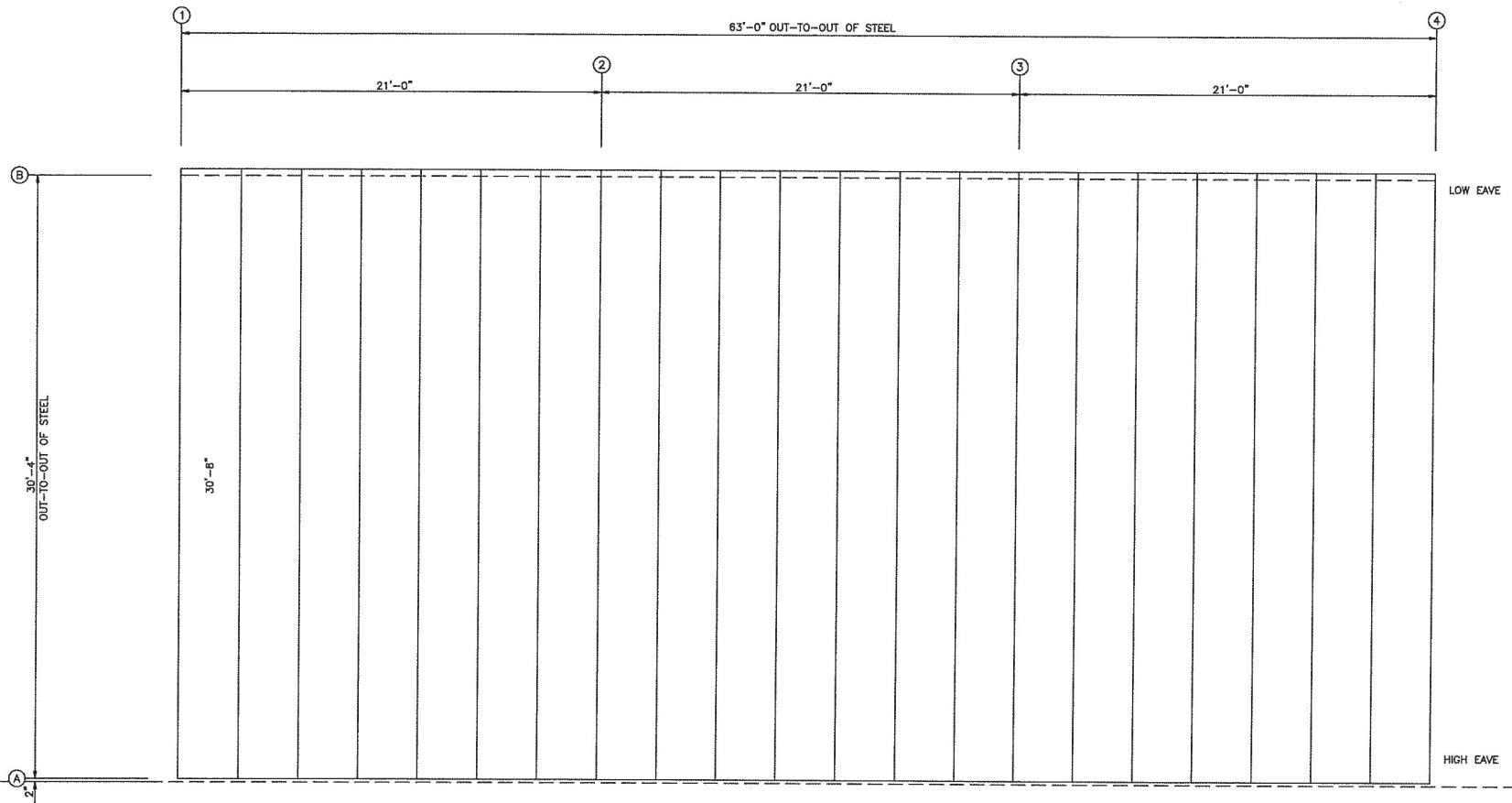


**GLEN S
ASHLEY**

Digitally signed by
GLEN S ASHLEY

Date: 2023.11.08
13:57:33 -05'00'

SBS		STEEL BUILDING SYSTEMS INC.		STRUCTURAL STAMP	
REVISIONS		CUSTOMER: FT. PIERCE POLICE ATHLETIC LEAGUE			
(1)	JOB NO:	23-11-272	DATE:	11/ 7/23	
(2)	LOCATION:	FORT PIERCE, FLORIDA			
(3)	DRAWING NAME:	FRAMING DETAILS		SCALE:	NONE
(4)	DRAWING NO:	PAGE 5.1	DRAWN BY:	MS	CHECKED BY:



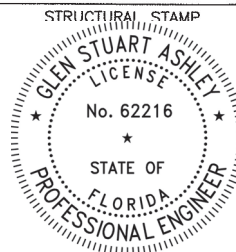
ROOF SHEETING PLAN
 PANELS: 26 GA. R - GALVALUME

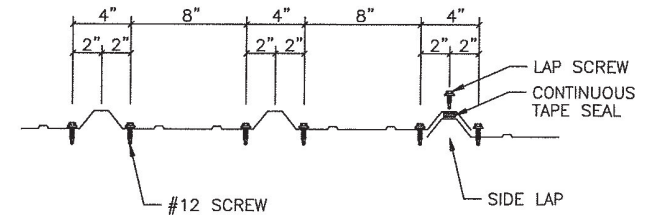
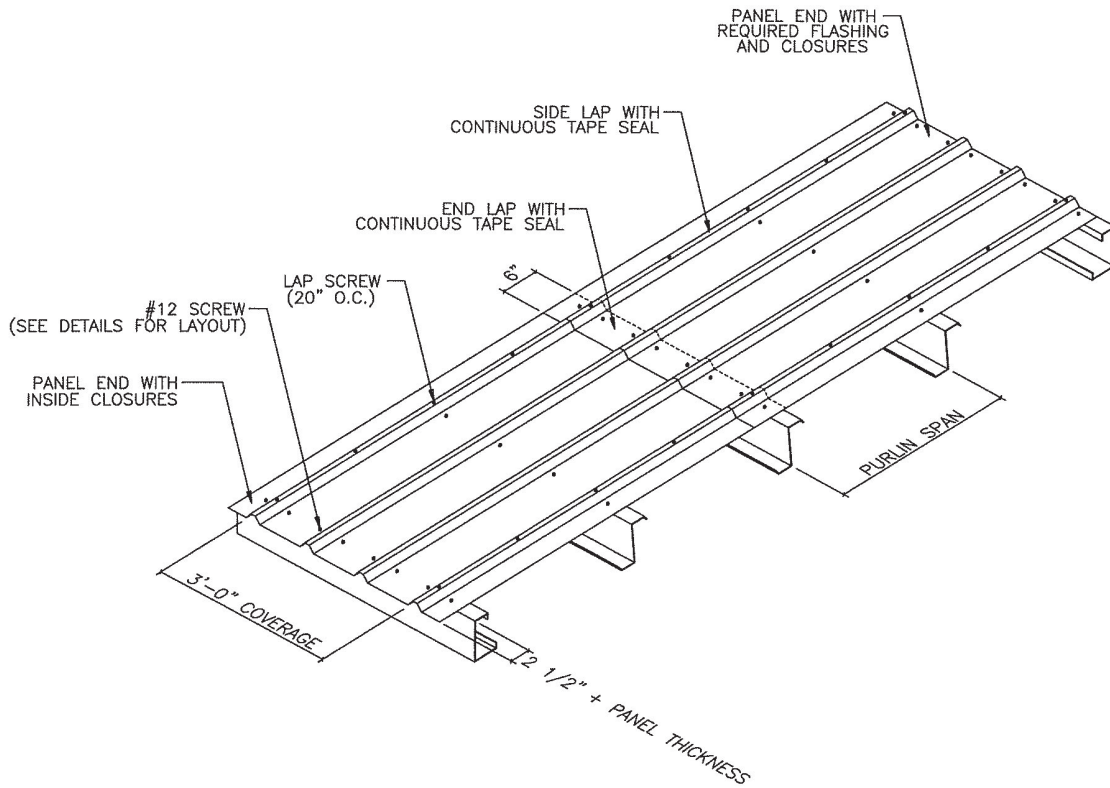
FL#11819.5

**GLEN
 S
 ASHLEY**
 Digitally signed by
 GLEN S
 ASHLEY
 Date:
 2023.11.08
 13:57:20
 -05'00'

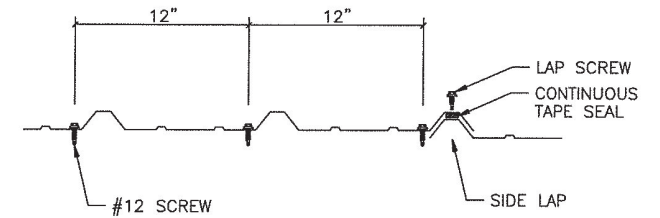
← EXISTING BUILDING →

		CUSTOMER:	
		FT. PIERCE POLICE ATHLETIC LEAGUE	
REVISIONS	JOB NO:	DATE:	
[1]	23-11-272	11/ 7/23	
[2]	LOCATION:		
	FORT PIERCE, FLORIDA		
[3]	DRAWING NAME:		SCALE:
	ROOF PANELS & TRIM		NONE
[4]	DRAWING NO:	DRAWN BY:	CHECKED BY:
	PAGE 6	MS	





DETAIL AT PANEL END



DETAIL AT INTERIOR OF PANEL

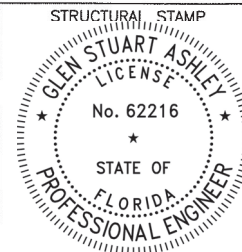
NOTES:

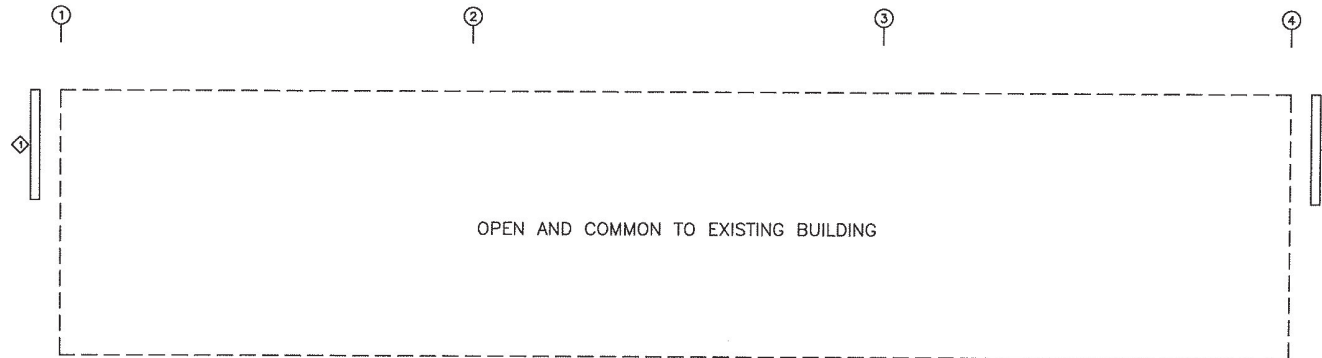
- [1] ALL END LAPS MUST BE A MINIMUM OF 6".
- [2] METAL SHAVINGS MUST BE SWEEPED FROM THE ROOF EACH DAY DURING ERECTION TO PREVENT SURFACE RUSTING.
- [3] TAPE SEAL MUST BE APPLIED WITH NO GAPS OR BREAKS.
- [4] #12 SCREWS ARE USED TO ATTACH THE PANEL TO THE PURLINS. #14 LAP SCREWS ARE USED AT THE PANEL-TO-PANEL ATTACHMENTS. ALL FASTENERS ARE SELF-DRILLING.

GLEN
S
ASHL
EY

Digitally signed by
GLEN S
ASHLEY
Date:
2023.11.08
13:57:07
-05'00'

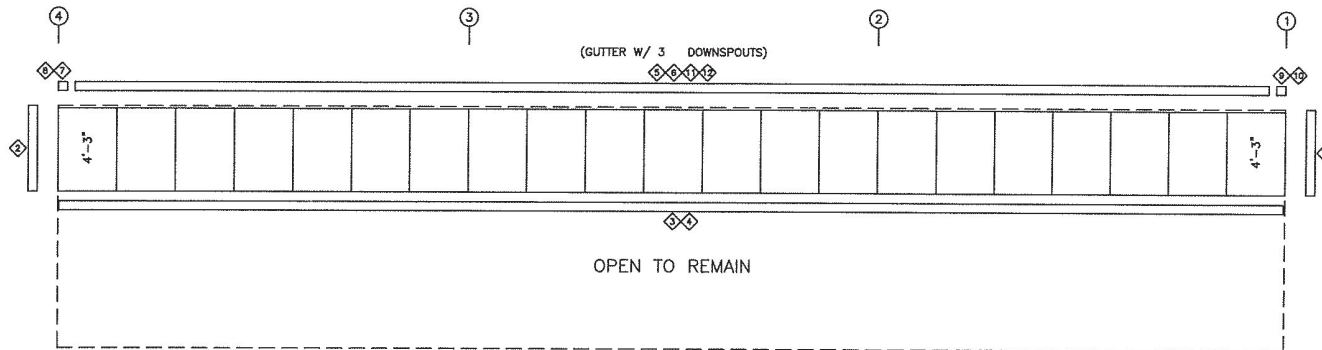
		CUSTOMER:	
		FT. PIERCE POLICE ATHLETIC LEAGUE	
REVISIONS	JOB NO:	DATE:	
[1]	23-11-272	11/ 7/23	
[2]	LOCATION:		
	FORT PIERCE, FLORIDA		
[3]	DRAWING NAME:		SCALE:
	ROOF PANEL DETAILS		NONE
[4]	DRAWING NO:	DRAWN BY:	CHECKED BY:
	PAGE 6.1	MS	





OPEN AND COMMON TO EXISTING BUILDING

SIDEWALL SHEETING & TRIM: FRAME LINE A



(GUTTER W/ 3 DOWNSPOUTS)

OPEN TO REMAIN

SIDEWALL SHEETING & TRIM: FRAME LINE B

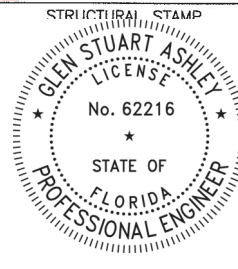
PANELS: 26 GA. R - LIGHT STONE

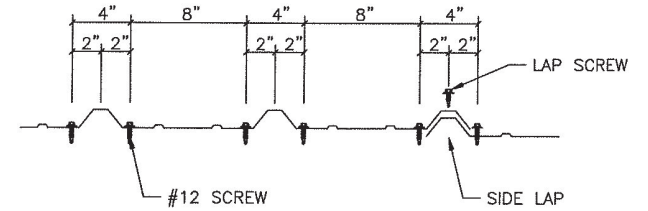
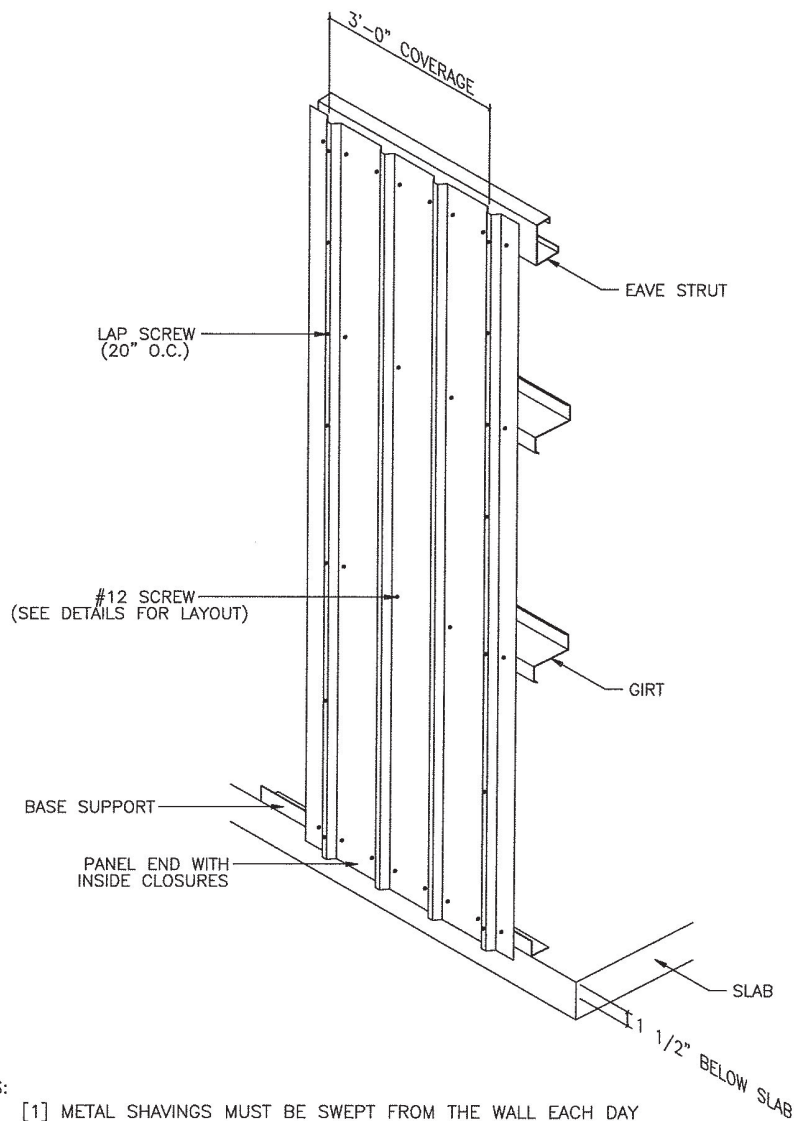
FL#11917.5

TRIM TABLE		
FRAME LINE A & B		
ID	PART	LENGTH
1	R JAMB	5'-11"
2	O/S CORN	4'-5"
3	R HEAD	20'-3"
4	R HEAD	3'-0"
5	GUTTER	20'-3"
6	GUTTER	3'-0"
7	GUTEND L	
8	CORBOX L	
9	GUTEND R	
10	CORBOX R	
11	PNL CAP	20'-3"
12	PNL CAP	3'-0"

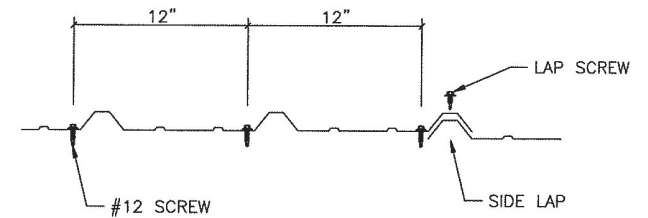
GLEN S ASHLEY Digitally signed by GLEN S ASHLEY
 Date: 2023.11.08 13:56:50 -05'00'

SBS STEEL BUILDING SYSTEMS INC.		
REVISIONS	CUSTOMER: FT. PIERCE POLICE ATHLETIC LEAGUE	
[1]	JOB NO: 23-11-272	DATE: 11/ 7/23
[2]	LOCATION: FORT PIERCE, FLORIDA	
[3]	DRAWING NAME: SIDEWALL PANELS & TRIM	SCALE: NONE
[4]	DRAWING NO: PAGE 7	DRAWN BY: MS CHECKED BY:





DETAIL AT PANEL END
 DETAIL AT HEADER/SILL
 DETAIL AT PARTIAL WALL



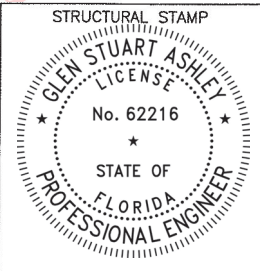
DETAIL AT INTERIOR OF PANEL

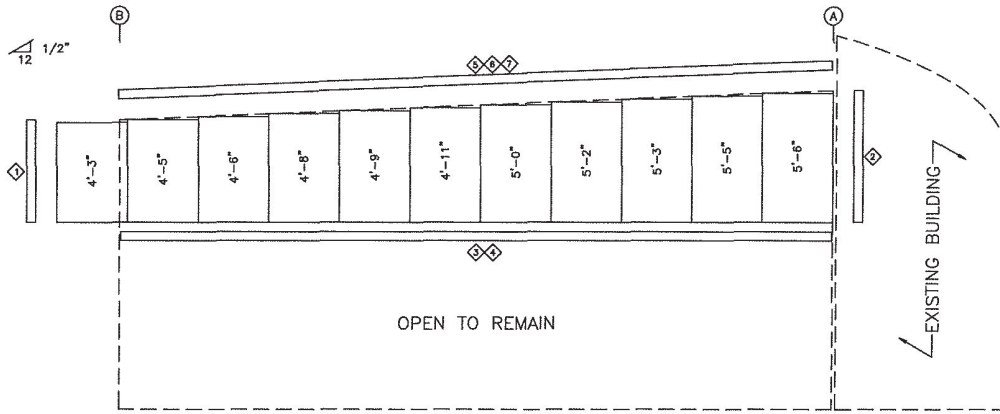
GLEN S ASHLEY Digitally signed by
 GLEN S ASHLEY
 Date: 2023.11.08 13:56:35 -05'00'

NOTES:

- [1] METAL SHAVINGS MUST BE SWEEPED FROM THE WALL EACH DAY DURING ERECTION TO PREVENT SURFACE RUSTING.
- [2] #12 SCREWS ARE USED TO ATTACH THE PANEL TO THE GIRTS. #14 LAP SCREWS ARE USED AT THE PANEL-TO-PANEL ATTACHMENTS. ALL FASTENERS ARE SELF-DRILLING.

SBS	
STEEL BUILDING SYSTEMS INC.	
REVISIONS	CUSTOMER: FT. PIERCE POLICE ATHLETIC LEAGUE
[1]	JOB NO: 23-11-272 DATE: 11/ 7/23
[2]	LOCATION: FORT PIERCE, FLORIDA
[3]	DRAWING NAME: SIDEWALL PANEL DETAILS SCALE: NONE
[4]	DRAWING NO: PAGE 7.1 DRAWN BY: MS CHECKED BY:

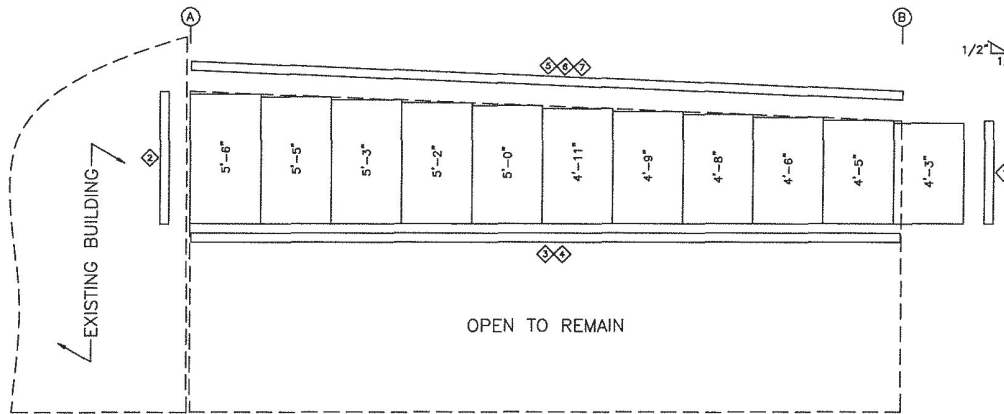




ENDWALL SHEETING & TRIM: FRAME LINE 1
 PANELS: 26 GA. R - LIGHT STONE

FL#11917.5

TRIM TABLE		
FRAME LINE 1 & 4		
ID	PART	LENGTH
1	O/S CORN	4'-5"
2	R JAMB	5'-11"
3	R HEAD	20'-3"
4	R HEAD	10'-4"
5	RAKE TRM	20'-3"
6	RAKE TRM	10'-5"
7	RAKE BOX	



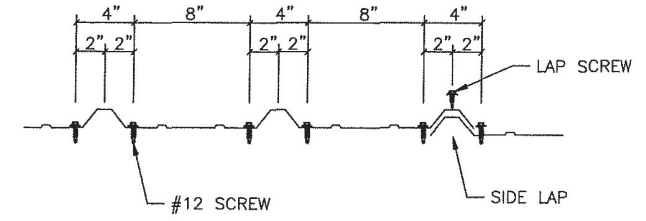
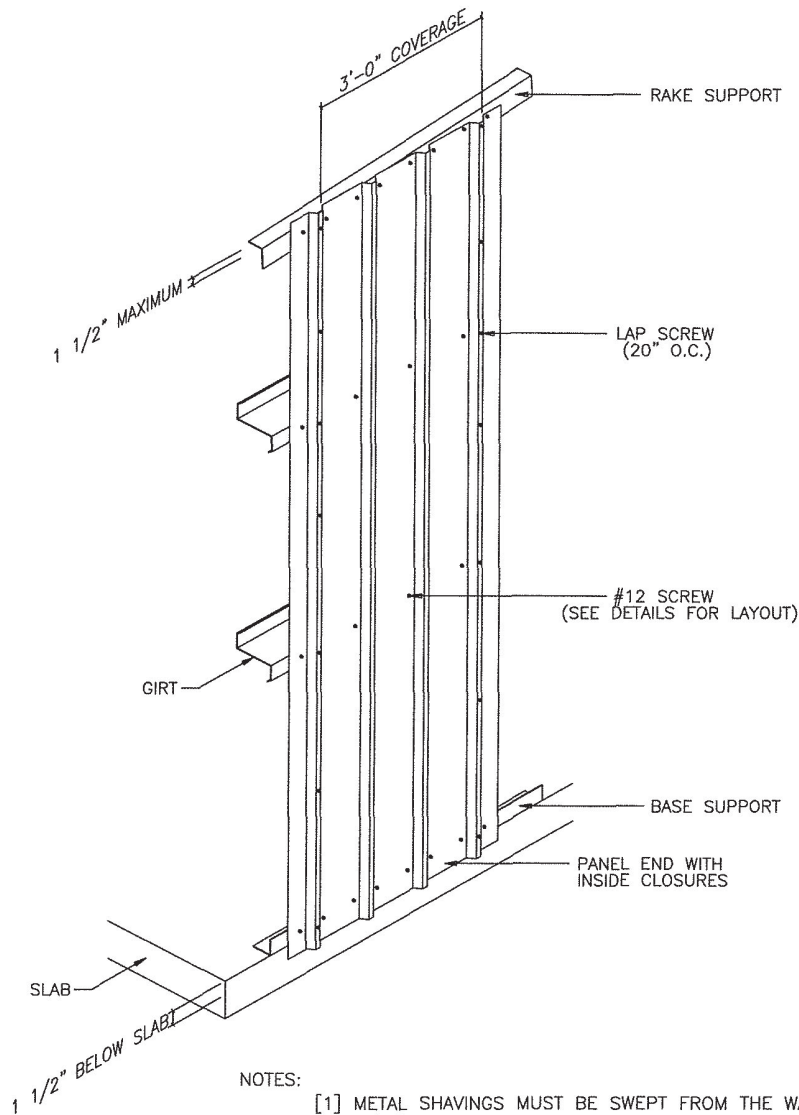
ENDWALL SHEETING & TRIM: FRAME LINE 4
 PANELS: 26 GA. R - LIGHT STONE

FL#11917.5

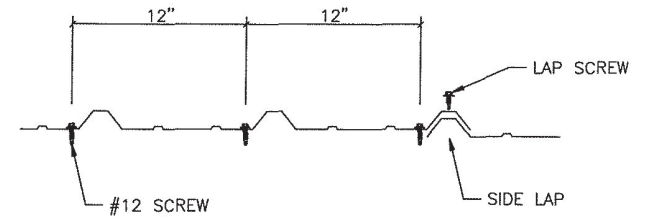
**GLEN S
 ASHLEY**

Digitally signed by
 GLEN S ASHLEY
 Date: 2023.11.08
 13:56:18 -05'00'

SBS		STEEL BUILDING SYSTEMS INC.		STRUCTURAL STAMP	
		GLEN STUART ASHLEY LICENSE No. 62216 STATE OF FLORIDA PROFESSIONAL ENGINEER			
REVISIONS	CUSTOMER:	FT. PIERCE POLICE ATHLETIC LEAGUE			
[1]	JOB NO:	23-11-272	DATE:	11/ 7/23	
[2]	LOCATION:	FORT PIERCE, FLORIDA			
[3]	DRAWING NAME:	ENDWALL PANELS & TRIM		SCALE:	NONE
[4]	DRAWING NO:	PAGE 8	DRAWN BY:	MS	CHECKED BY:



DETAIL AT PANEL END
 DETAIL AT HEADER/SILL
 DETAIL AT PARTIAL WALL



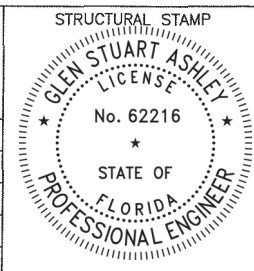
DETAIL AT INTERIOR OF PANEL

NOTES:

- [1] METAL SHAVINGS MUST BE SWEEPED FROM THE WALL EACH DAY DURING ERECTION TO PREVENT SURFACE RUSTING.
- [2] #12 SCREWS ARE USED TO ATTACH THE PANEL TO THE GIRTS. #14 LAP SCREWS ARE USED AT THE PANEL-TO-PANEL ATTACHMENTS. ALL FASTENERS ARE SELF-DRILLING.

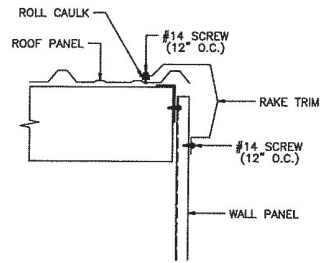
GLEN S ASHLEY Digitally signed by GLEN S ASHLEY
 Date: 2023.11.08 13:56:06 -05'00'

SBS	
STEEL BUILDING SYSTEMS INC.	
REVISIONS	CUSTOMER: FT. PIERCE POLICE ATHLETIC LEAGUE
[1]	JOB NO: 23-11-272 DATE: 11/ 7/23
[2]	LOCATION: FORT PIERCE, FLORIDA
[3]	DRAWING NAME: ENDWALL PANEL DETAILS SCALE: NONE
[4]	DRAWING NO: PAGE 8.1 DRAWN BY: MS CHECKED BY:

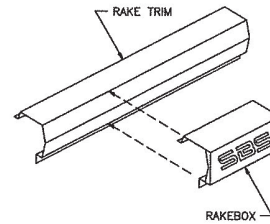


TRIM NOTES:

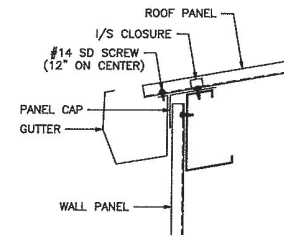
- [1] SEAL TRIM SPLICES WITH TUBE CAULK.
- [2] SECURE GUTTER SPLICES AND END PLUGS WITH RIVETS.
- [3] SECURE ALL OTHER ROOF TRIM SPLICES WITH TRIM SCREWS UNLESS NOTED OTHERWISE.
- [4] TRIM SCREWS ARE LOCATED 12" ON CENTER UNLESS NOTED OTHERWISE.



RAKE TRIM DETAIL

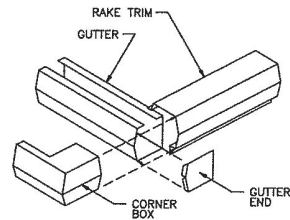


RAKEBOX DETAIL

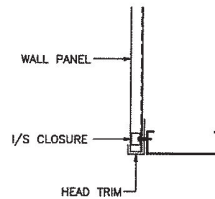


NOTE: INSTALL GUTTER STRAPS 3'0" ON CENTER.

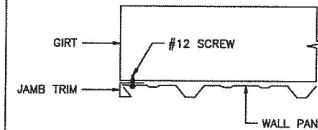
GUTTER DETAIL



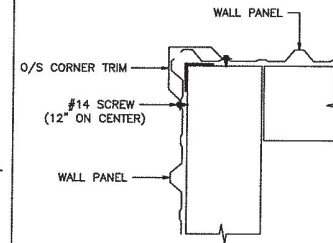
GUTTER END DETAIL



HEAD TRIM DETAIL AT HEADER




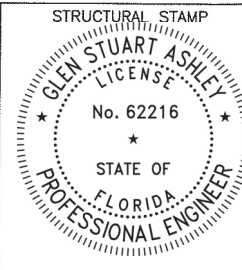
JAMB TRIM DETAIL AT GIRT

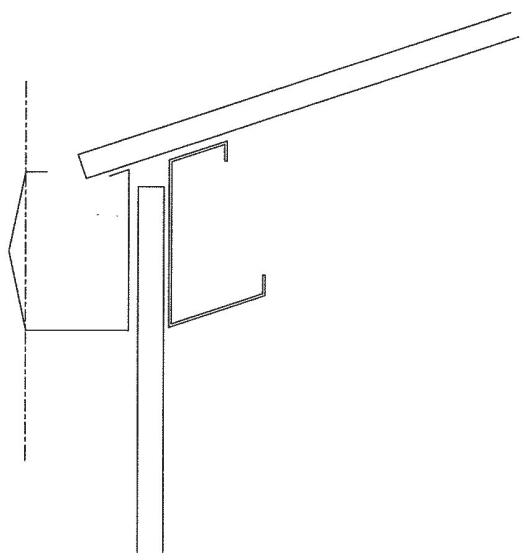


O/S CORNER DETAIL

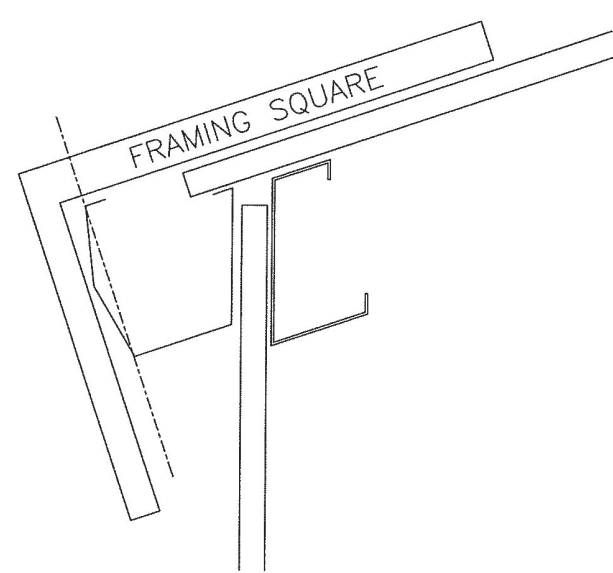
GLEN S ASHLEY Digitally signed by GLEN S ASHLEY
 Date: 2023.11.08 13:55:50 -05'00'

 STEEL BUILDING SYSTEMS INC.	
REVISIONS	CUSTOMER: FT. PIERCE POLICE ATHLETIC LEAGUE
[1]	JOB NO: 23-11-272 DATE: 11/ 7/23
[2]	LOCATION: FORT PIERCE, FLORIDA
[3]	DRAWING NAME: TRIM DETAILS SCALE: NONE
[4]	DRAWING NO: PAGE 9 DRAWN BY: MS CHECKED BY:






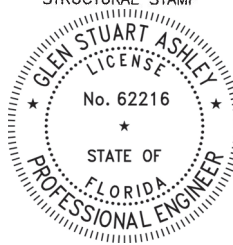
DO NOT INSTALL GUTTER WITH
OUTSIDE FACE PERPENDICULAR
TO THE GROUND.

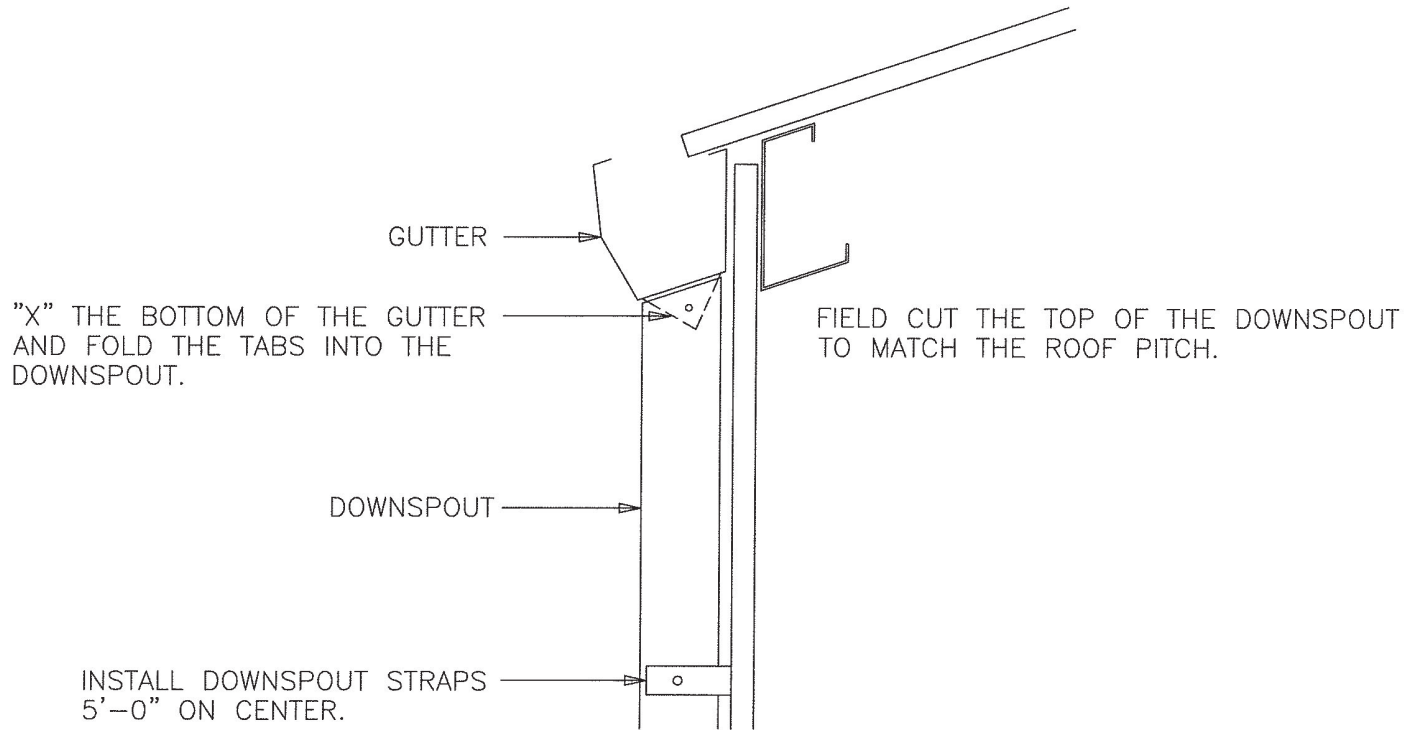


INSTALL GUTTER WITH
OUTSIDE FACE PERPENDICULAR
TO THE ROOF.

GUTTER INSTALLATION DETAIL

GLEN Digitally signed by
S GLEN S
ASHL ASHLEY
EY Date: 2023.11.08
13:55:33
-05'00'

 STEEL BUILDING SYSTEMS INC.		STRUCTURAL STAMP 	
REVISIONS	CUSTOMER: FT. PIERCE POLICE ATHLETIC LEAGUE		
[1]	JOB NO: 23-11-272	DATE: 11/ 7/23	
[2]	LOCATION: FORT PIERCE, FLORIDA		
[3]	DRAWING NAME: GUTTER INSTALL DETAILS	SCALE: NONE	
[4]	DRAWING NO: PAGE 9.1	DRAWN BY: MS	CHECKED BY:



DOWNSPOUT INSTALLATION DETAIL

GLEN S ASHLEY Digitally signed by GLEN S ASHLEY
 Date: 2023.11.08 13:54:55 -05'00'

SBS		STEEL BUILDING SYSTEMS INC.		STRUCTURAL STAMP	
		CUSTOMER: FT. PIERCE POLICE ATHLETIC LEAGUE			
REVISIONS		JOB NO: 23-11-272	DATE: 11/ 7/23		
[1]		LOCATION: FORT PIERCE, FLORIDA			
[2]		DRAWING NAME: DOWNSPOUT INSTALL DETAILS		SCALE: NONE	
[3]		DRAWING NO: PAGE 9.2	DRAWN BY: MS	CHECKED BY:	

SIGNATURE® 200
STANDARD COLORS
26- AND 24-GAUGE MATERIAL

Siliconized Polyester

Polar White is a Straight Polyester.

* Also available in 29-gauge

** Minimum quantities and/or extended lead times required for 24-gauge. Please inquire.



HAWAIIAN BLUE** *
SR .31 SRI 31



CRIMSON RED** *
SR .32 SRI 33



FERN GREEN** *
SR .29 SRI 29



BURNISHED SLATE** *
SR .34 SRI 36



ASH GRAY *
SR .45 SRI 50



SADDLE TAN *
SR .47 SRI 53



DESERT SAND *
SR .42 SRI 47



KOKO BROWN *
SR .35 SRI 37



CHARCOAL GRAY** *
SR .38 SRI 41



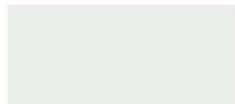
COBALT BLUE** *
SR .26 SRI 24



RUSTIC RED *
SR .37 SRI 39



LIGHT STONE *
SR .56 SRI 66



POLAR WHITE* *
SR .58 SRI 68



SOLAR WHITE** *
SR .71 SRI 86

SIGNATURE® 300
STANDARD COLORS
26-GAUGE MATERIAL
PBR, PBU, AVP, PBC, PBD
PANELS ONLY

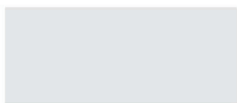
* Also available in 24-gauge

** Minimum quantities and/or extended lead times required for 24-gauge. Please inquire.

† Minimum quantities and/or extended lead times required for all gauges. Please inquire.



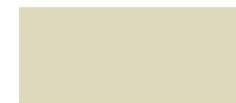
MEDIUM BRONZE* *
SR .29 SRI 28



SNOW WHITE* *
SR .65 SRI 78



SLATE GRAY** *
SR .37 SRI 39



ALMOND* *
SR .63 SRI 75



CLASSIC GREEN** *
SR .27 SRI 26



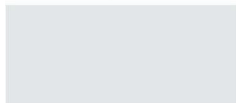
BROWNSTONE* *
SR .47 SRI 53



BRITISH RED † *
SR .49 SRI 55



HARBOR BLUE** *
SR .28 SRI 27



BONE WHITE** *
SR .70 SRI 85

DIFRANCESCO CONSTRUCTION INC

Michael DiFrancesco
President
License # CBC1265203

8840 Lonesome Pine Trail
Ft Pierce Fla 34945

Home 772-465-8231
Cell 201-7797
Fax 465-7873

Estimate

November 17, 2023
RE: Ft Pierce Police Athletic League
2203 Orange Avenue
Ft Pierce Fla 34950

DiFrancesco Construction Proposes to build a 1928 Sq Ft shade structure. Said Structure will be built according to Owner supplied plans. All work to be permitted through the City of Ft Pierce.

Total Labor and Materials \$65,000
Michael DiFrancesco
DiFrancesco Construction Inc

Fort Pierce Police Athletic League

7 items

Sort application by: Account ▾

Account	Product	Balance	Closed/ Zero Balance	Maturity	Status	Remarks	Enrolled in Package
Deposit		68,791.21					
▶ <input type="checkbox"/> 800125956	Business Ce...	15,849.58			Open		No No
<input type="checkbox"/> 4137163171	Business Ch...	52,941.63			Open		Yes No
<input type="checkbox"/> 6014790172	Seacoast Bu...	0.00	11/09/2023		Closed at ...		Yes No
Cardbase		0.00					
<input type="checkbox"/> 480278XXXXXX450	Business Vis...						No No
<input type="checkbox"/> 480278XXXXXX652	Business Vis...						No No
<input type="checkbox"/> 480278XXXXXX230	Business Vis...						No No
Miscellaneous		0.00					
<input type="checkbox"/> 905754	Business Int...	0.00			Open		Yes No