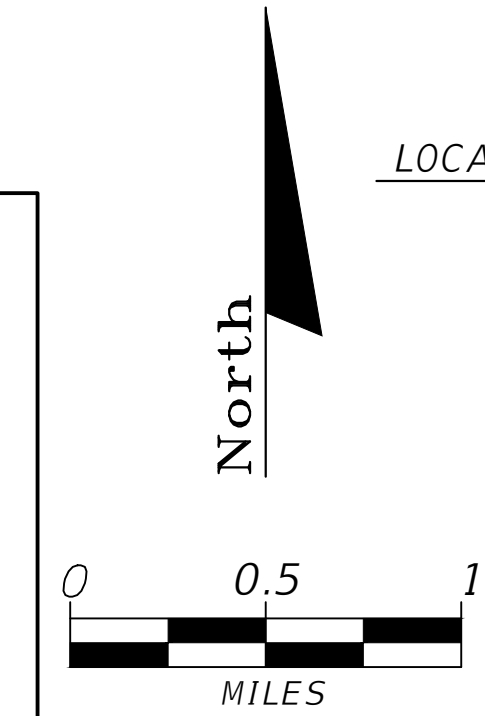
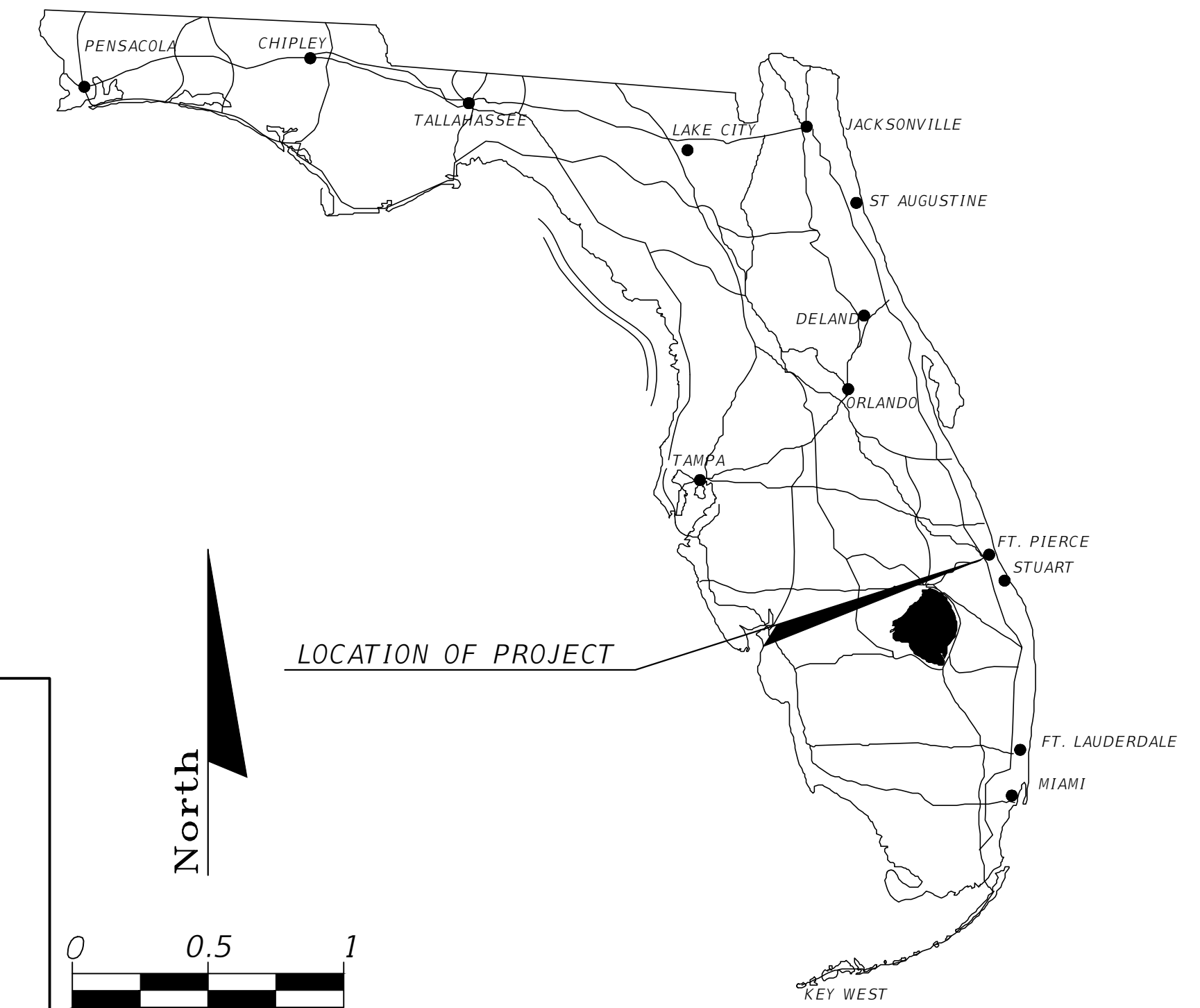


PLANS PREPARED FOR

# THE CITY OF FORT PIERCE

## CONTRACT PLANS

LITTLE JIM CAMP SANITARY IMPROVEMENT  
ST LUCIE COUNTY, FLORIDA



COMPONENTS OF CONTRACT PLANS SET  
SANITARY IMPROVEMENT CONSTRUCTION PLANS

A DETAILED INDEX APPEARS ON THE  
KEY SHEET OF EACH COMPONENT

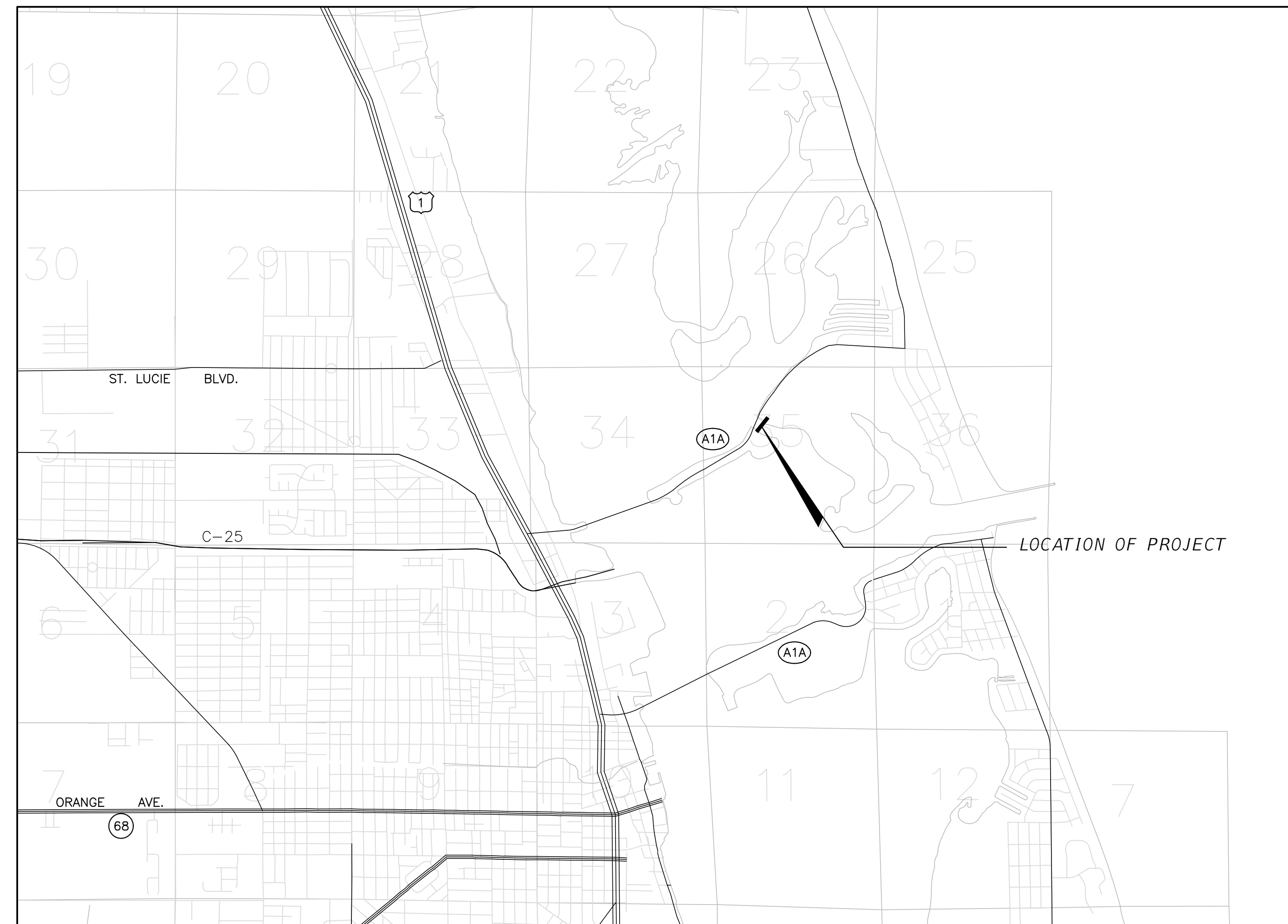
### INDEX OF PLANS

SHEET NO.	SHEET DESCRIPTION
1	COVER SHEET
2	PROJECT LAYOUT/LOCATION
3	MASTER PLAN VIEW
4	SANITARY PLAN & PROFILE
5	DIRECTIONAL BORE PLAN & PROFILE
6	SWPP PLAN
7	SWPP DETAILS
8	UTILITY DETAILS
9	GRINDER STATION DETAILS

GOVERNING STANDARDS AND SPECIFICATIONS:  
FLORIDA DEPARTMENT OF TRANSPORTATION,  
STANDARD SPECIFICATIONS FOR ROAD AND  
BRIDGE CONSTRUCTION DATED 2020-2021,  
AND STANDARD SPECIFICATIONS FOR ROAD  
AND BRIDGE CONSTRUCTION DATED 2020. AS  
AMENDED BY CONTRACT DOCUMENTS.

For Design Standards Modifications click on  
"Standard Plans For Road and Bridge Construction" at  
the following web site:  
<http://www.fdot.gov/design/standardplans/Default.shtm>

For the Standard Specifications for Road and Bridge  
Construction click on the "January 2021 Standard  
Specifications eBook " link at the following web site:  
<http://www.fdot.gov/programmanagement/Implemented/SpecBooks/>



CONSTRUCTION SHOP DRAWINGS  
TO BE SUBMITTED TO:

STEFAN K. MATTHES, PE  
CULPEPPER & TERPENING, INC.  
2980 SOUTH 25TH STREET  
FORT PIERCE, FLORIDA 34981

PLANS PREPARED BY:



### CULPEPPER & TERPENING INC

2980 SOUTH 25th STREET • FORT PIERCE, FLORIDA 34981  
PHONE 772-464-3537 • FAX 772-464-9497 • [www.ct-eng.com](http://www.ct-eng.com)  
STATE OF FLORIDA BOARD OF PROFESSIONAL  
ENGINEERS AUTHORIZATION NO. 4286

STATE OF FLORIDA BOARD OF PROFESSIONAL  
ENGINEERS AUTHORIZATION NO. 4286

NOTE: THE SCALE OF THESE PLANS MAY  
HAVE CHANGED DUE TO REPRODUCTION.

### REVISIONS

LENGTH OF PROJECT		
	LIN. FT.	MILES
UTILITY	640	0.121
BRIDGES	0	0
NET LENGTH OF PROJ.	640	0.121
EXCEPTIONS	0	0
GROSS LENGTH OF PROJ.	640	0.121

KEY SHEET REVISIONS		
DATE	BY	DESCRIPTION

ROADWAY PLANS  
ENGINEER OF RECORD: STEFAN K. MATTHES, P.E.  
P.E. NO. : 38723

PROJECT MANAGER: JOHN R ANDREWS

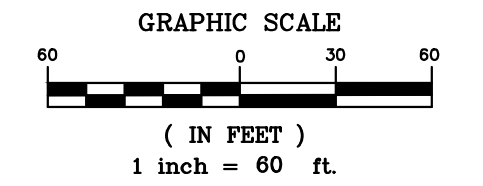
30% CONSTRUCTION PLAN SET  
JUNE 27, 2022

C&T JOB NO.: 21-122

FISCAL YEAR	SHEET NO.
22	1

# INDIAN RIVER LAGOON

FORT PIERCE  
CITY LIMITS



STATE ROAD A-1-A

LITTLE JIM BRIDGE

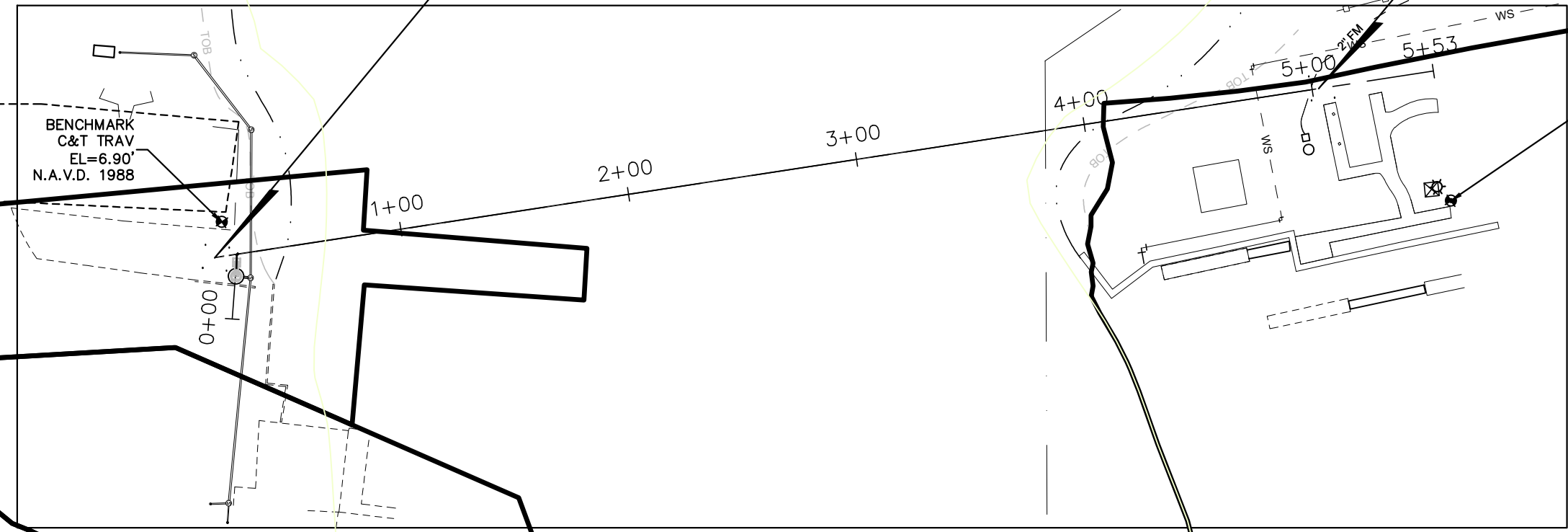
BEGIN PROJECT  
2" HDPE DIRECTIONAL BORE  
0+25.87, -9.54' L

②

END PROJECT  
2" HDPE DIRECTIONAL BORE  
5+02.95, 0.00'

BENCHMARK  
C&T TRAV  
EL=6.90'  
N.A.V.D. 1988


BENCHMARK  
C&T TRAV  
EL=4.13'  
N.A.V.D. 1988



F:\Proj-2021\21-122 COFP - Little Jim Camp Sanitary Connection\_Eng\21-122 Base.dwg Plotted: 6/27/2022 10:07 AM By: KITHSIRI UDUJGAMA

STEFAN K. MATTHEWS, P.E.  
FL REG. NO. 38723

COMPUTER FILE REF.	FIELD BK./PG.
21-122 COFP	21-05/72



**CULPEPPER & TERPENING INC**  
2980 SOUTH 25th STREET • FORT PIERCE, FLORIDA 34981  
PHONE 772-464-3537 • FAX 772-466-9497 • www.ct-eng.com  
STATE OF FLORIDA BOARD OF PROFESSIONAL ENGINEERS AUTHORIZATION NO. 4286

- REVISIONS -		BY	DATE

	BY	DATE
FIELD	SKM	1/20/22
CALCS.	SKM	2/2/22
DRAWN	KU	2/1/22
DETAILED	----	----
CHECKED	SKM	2/2/22
APPROVED	SKM	2/10/22

**LITTLE JIM CAMP SANITARY IMPROVEMENTS**

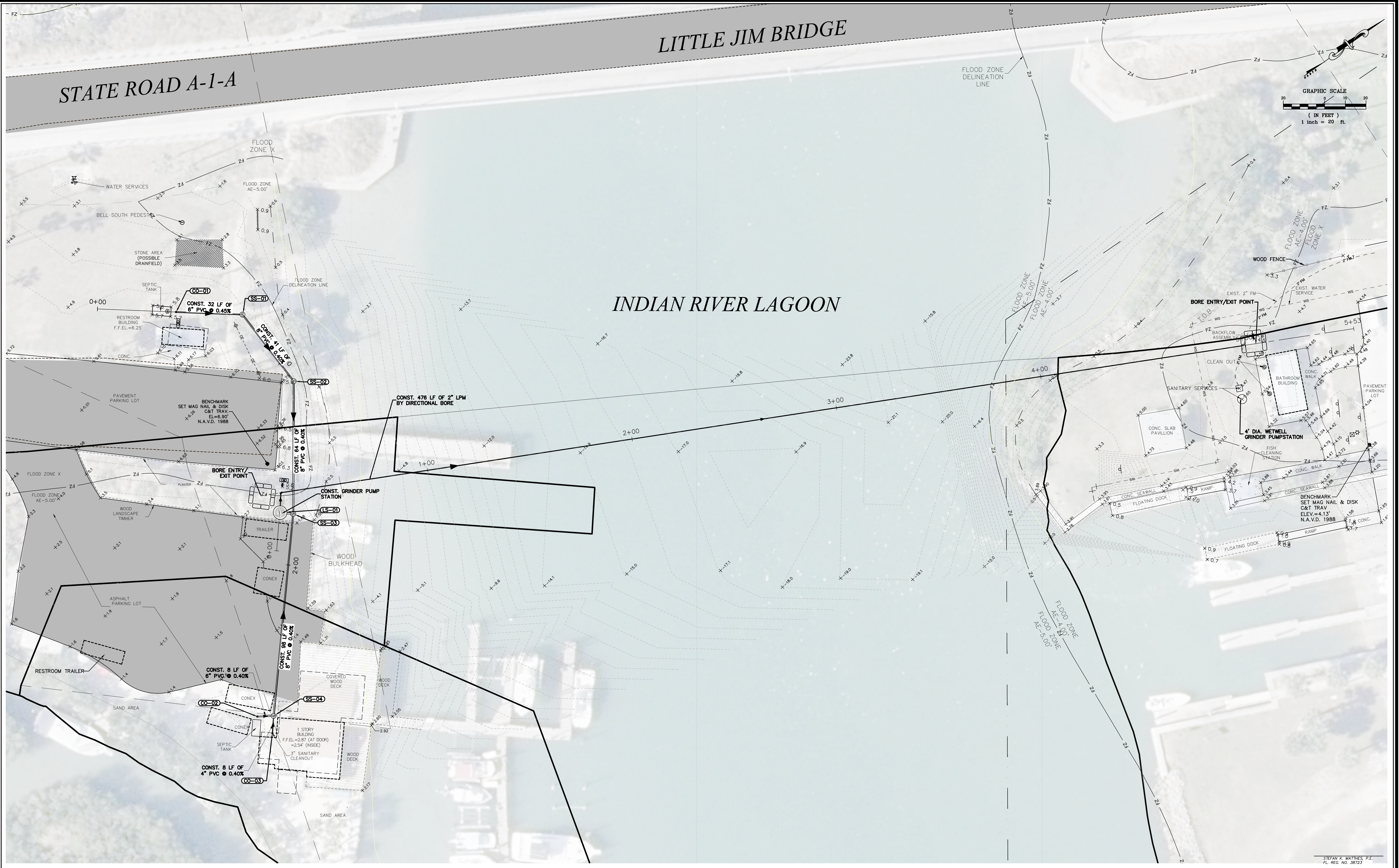
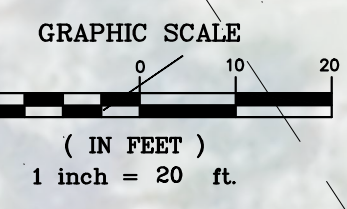
**PROJECT LAYOUT**

DATE: 2/10/22
HORIZ. SCALE: 1"=60'
VERT. SCALE: N/A
JOB No. 21-122
SHEET <b>2 of 9</b>

# LITTLE JIM BRIDGE

# STATE ROAD A-1-A

# INDIAN RIVER LAGOON



P:\Proj-2021\21-122 COFFP - Little Jim Camp Sanitary Connection\_Eng\21-122 Base.dwg Plotted: 6/27/2022 11:34 AM By: KITHSIRI UDUGAMA

STEFAN K. MATTHEWS, P.E.  
FL. REG. NO. 38723

COMPUTER FILE REF. 21-122 COFFP	FIELD BK./PG. 21-05/72

**CULPEPPER & TERPENING INC**

2980 SOUTH 25th STREET • FORT PIERCE, FLORIDA 34981  
PHONE 772-464-3537 • FAX 772-466-9497 • www.ct-eng.com  
STATE OF FLORIDA BOARD OF PROFESSIONAL ENGINEERS AUTHORIZATION NO. 4286

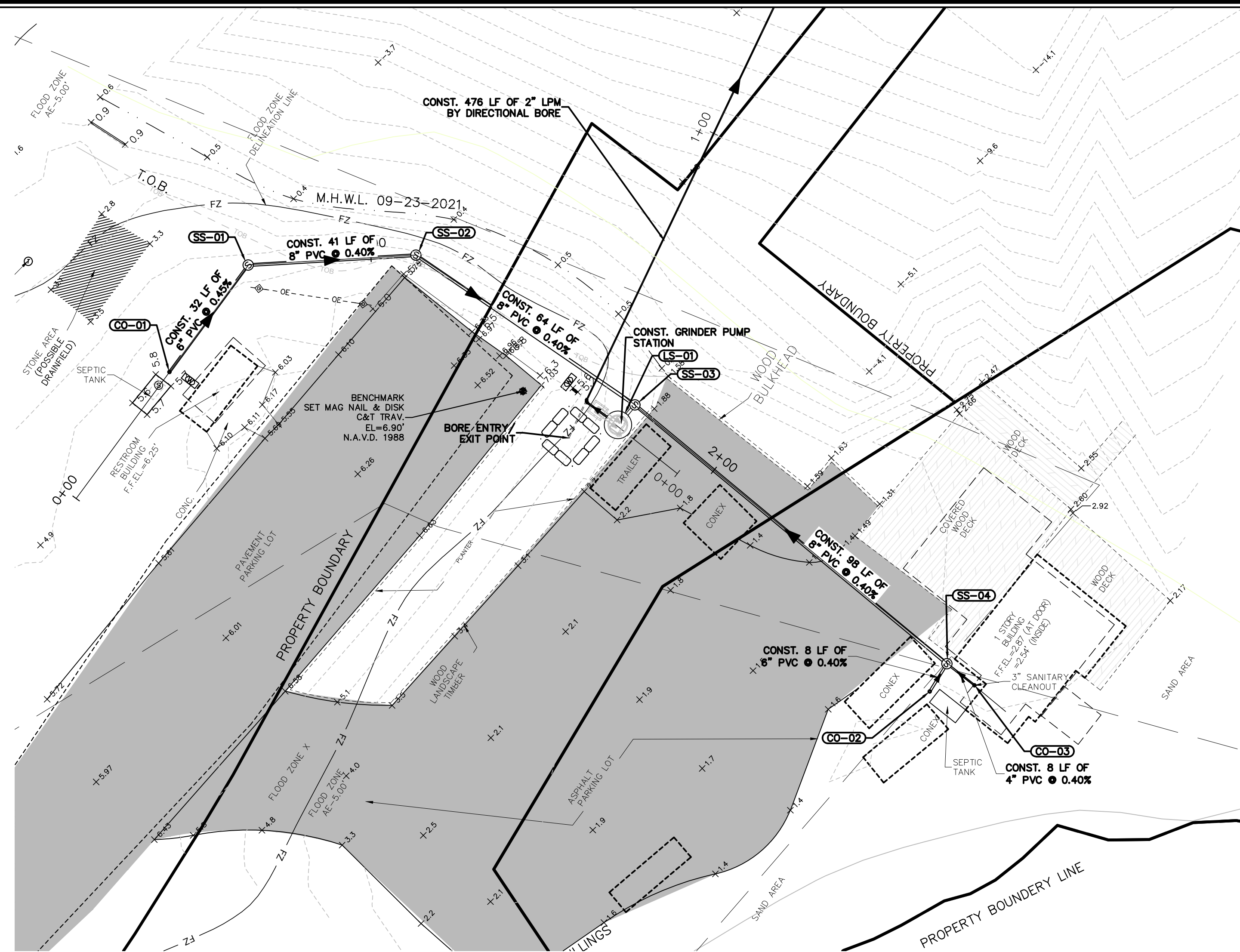
- REVISIONS -		BY	DATE

	BY	DATE
FIELD	SKM	1/20/22
CALCS.	SKM	2/2/22
DRAWN	KU	2/1/22
DETAILED	---	---
CHECKED	SKM	2/2/22
APPROVED	SKM	2/10/22

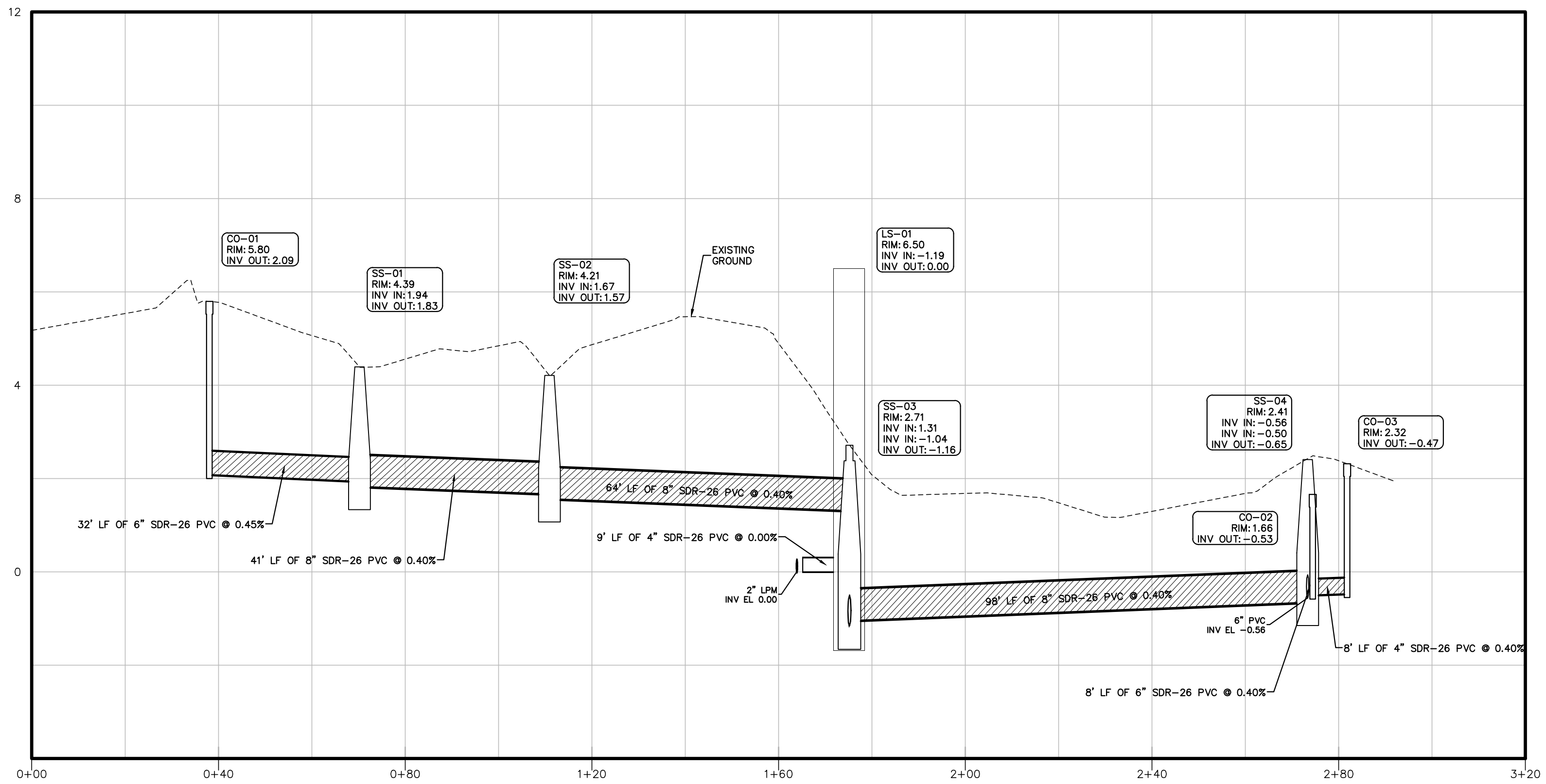
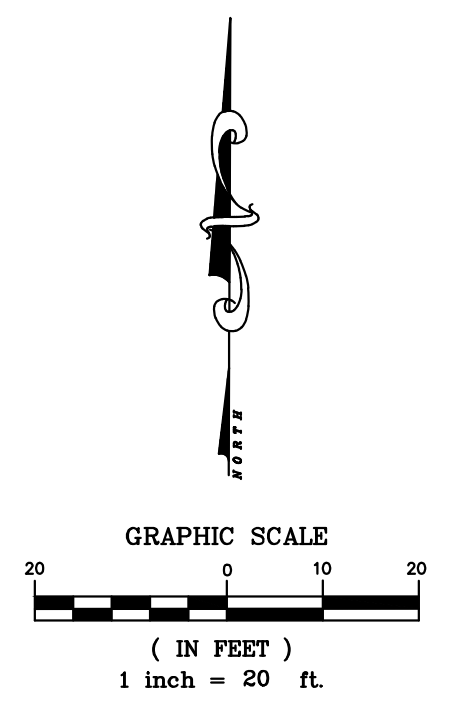
**LITTLE JIM CAMP SANITARY IMPROVEMENTS**

**MASTER PLAN VIEW**

DATE: 2/10/22
HORIZ. SCALE: 1"=20'
VERT. SCALE: N/A
JOB No. 21-122
SHEET <b>3</b> of 9



Structure Table	
Structure Name	Structure Details
CO-01	RIM = 5.80 INV OUT = 2.09
CO-02	RIM = 1.66 INV OUT = -0.53
CO-03	RIM = 2.32 INV OUT = -0.47
LS-01	RIM = 6.50 INV IN = -1.19 INV OUT = 0.00
SS-01	RIM = 4.39 INV IN = 1.94 INV OUT = 1.83
SS-02	RIM = 4.21 INV IN = 1.67 INV OUT = 1.57
SS-03	RIM = 2.71 INV IN = 1.31 INV IN = -1.04 INV OUT = -1.16
SS-04	RIM = 2.41 INV IN = -0.56 INV IN = -0.50 INV OUT = -0.65



P:\Proj-2021\21-122 COFP - Little Jim Camp Sanitary Connection\_Eng\21-122 Base.dwg Plotted: 6/27/2022 11:31 AM By: KITHSRI UDUGAMA

STEFAN K. MATTHEWS, P.E.  
FL. REG. NO. 38723

COMPUTER FILE REF.	FIELD BK./PG.
21-122 COFP	21-05/72

**CULPEPPER & TERPENING INC**  
 2980 SOUTH 25th STREET • FORT PIERCE, FLORIDA 34981  
 PHONE 772-464-3537 • FAX 772-466-9497 • www.ct-eng.com  
 STATE OF FLORIDA BOARD OF PROFESSIONAL ENGINEERS AUTHORIZATION NO. 4286

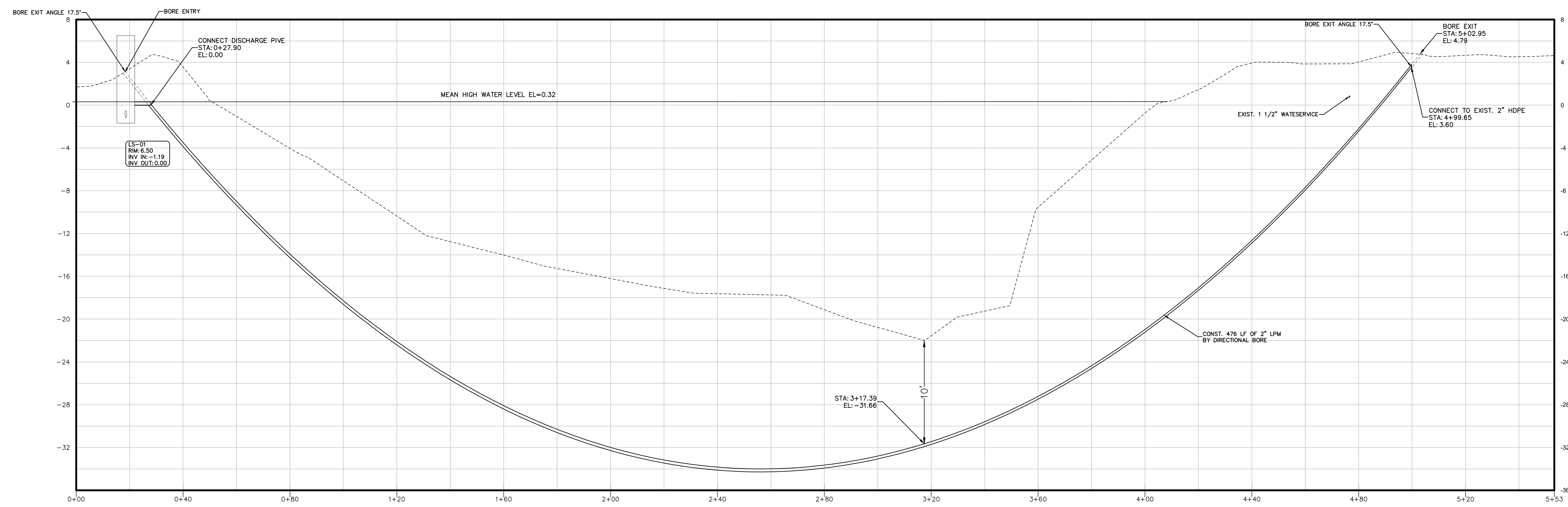
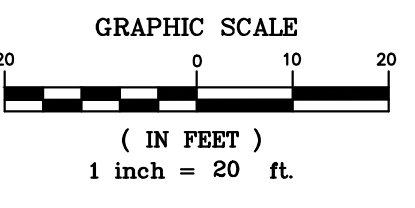
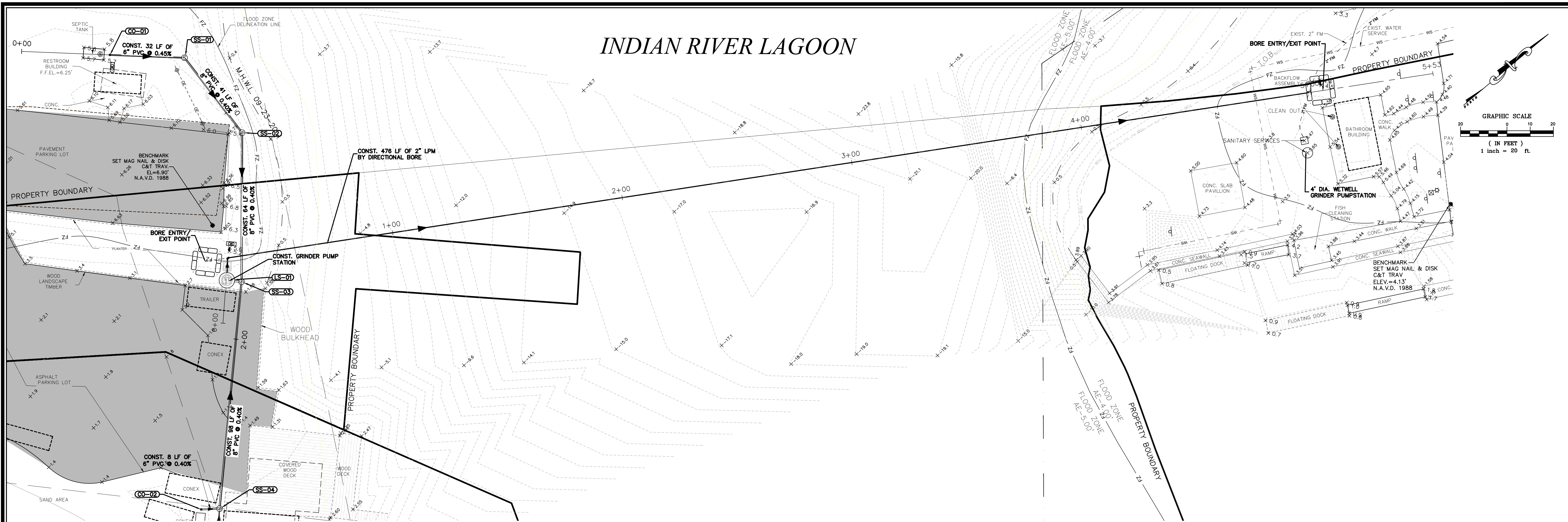
- REVISIONS -		BY	DATE

	BY	DATE
FIELD	SKM	1/20/22
CALCS.	SKM	2/2/22
DRAWN	KU	2/1/22
CHECKED	SKM	2/2/22
APPROVED	SKM	2/10/22

**LITTLE JIM CAMP SANITARY IMPROVEMENTS**  
  
**SANITARY PLAN & PROFILE**


DATE: 2/10/22  
 HORIZ. SCALE: 1"=20'  
 VERT. SCALE: 1"=2'  
 JOB No. 21-122  
 SHEET **4 of 9**

# INDIAN RIVER LAGOON



P:\Proj-2021\21-122 COFP - Little Jim Camp Sanitary Connection\_Eng\21-122 Base.dwg Plotted: 6/27/2022 11:37 AM By: KITHSIRI UDUGAMA

COMPUTER FILE REF. 21-122 COFP	FIELD BK./PG. 21-05/72



**CULPEPPER & TERPENING INC**  
 2980 SOUTH 25th STREET • FORT PIERCE, FLORIDA 34981  
 PHONE 772-464-3537 • FAX 772-466-9497 • www.ct-eng.com  
 STATE OF FLORIDA BOARD OF PROFESSIONAL ENGINEERS AUTHORIZATION NO. 4286

- REVISIONS -		
	BY	DATE

	BY	DATE
FIELD	SKM	1/20/22
CALCS.	SKM	2/2/22
DRAWN	KU	2/1/22
Detailed		
CHECKED	SKM	2/2/22
APPROVED	SKM	2/10/22

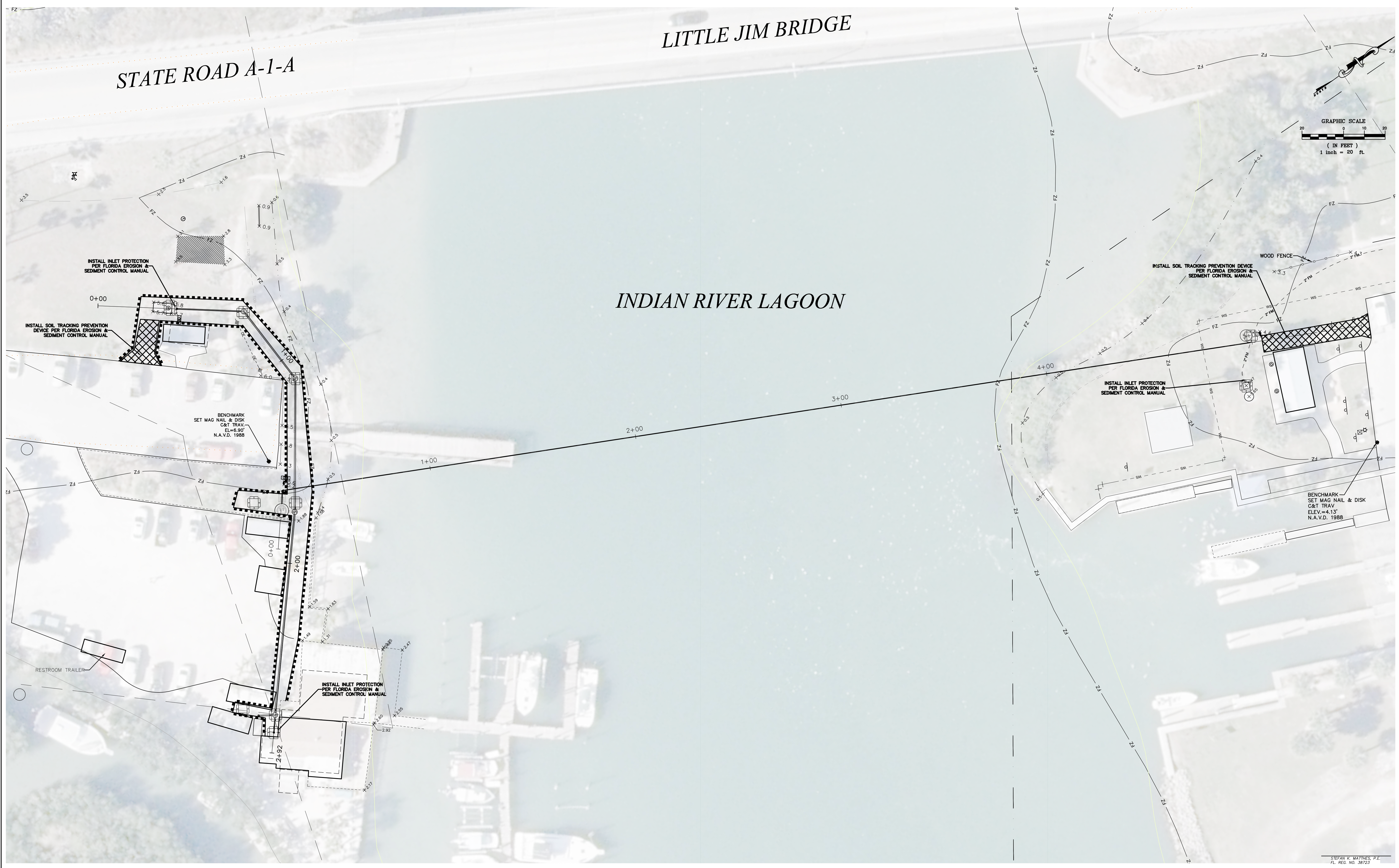
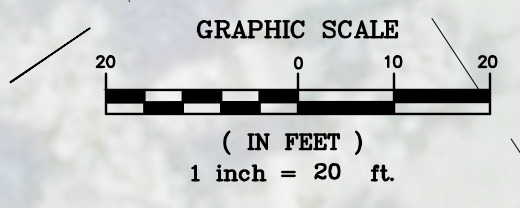
**LITTLE JIM CAMP SANITARY IMPROVEMENTS**  
**DIRECTIONAL BORE PLAN & PROFILE**

DATE: 2/10/22
HORIZ. SCALE: 1"=20'
VERT. SCALE: 1"=5'
JOB No. 21-122
SHEET <b>5 of 9</b>

# LITTLE JIM BRIDGE

## STATE ROAD A-1-A


## INDIAN RIVER LAGOON



P:\Proj-2021\21-122 COFP - Little Jim Camp Sanitary Connection\_Eng\21-122 Base.dwg Plotted: 6/27/2022 8:26 AM By: KITHSIRI UDUGAMA

STEFAN K. MATTHEWS, P.E.  
FL. REG. NO. 38723

COMPUTER FILE REF.	FIELD BK./PG.
21-122 COFP	21-05/72



**CULPEPPER & TERPENING INC**  
2980 SOUTH 25th STREET • FORT PIERCE, FLORIDA 34981  
PHONE 772-464-3537 • FAX 772-464-9497 • www.ct-eng.com  
STATE OF FLORIDA BOARD OF PROFESSIONAL ENGINEERS AUTHORIZATION NO. 4286

- REVISIONS -		BY	DATE

	BY	DATE
FIELD	SKM	1/20/22
CALCS.	SKM	2/2/22
DRAWN	KU	2/1/22
DETAILED	---	---
CHECKED	SKM	2/2/22
APPROVED	SKM	2/10/22

**LITTLE JIM CAMP SANITARY IMPROVEMENTS**

**SWPP PLAN**

DATE: 2/10/22
HORIZ. SCALE: 1"=20'
VERT. SCALE: N/A
JOB No. 21-122
SHEET 6 of 9

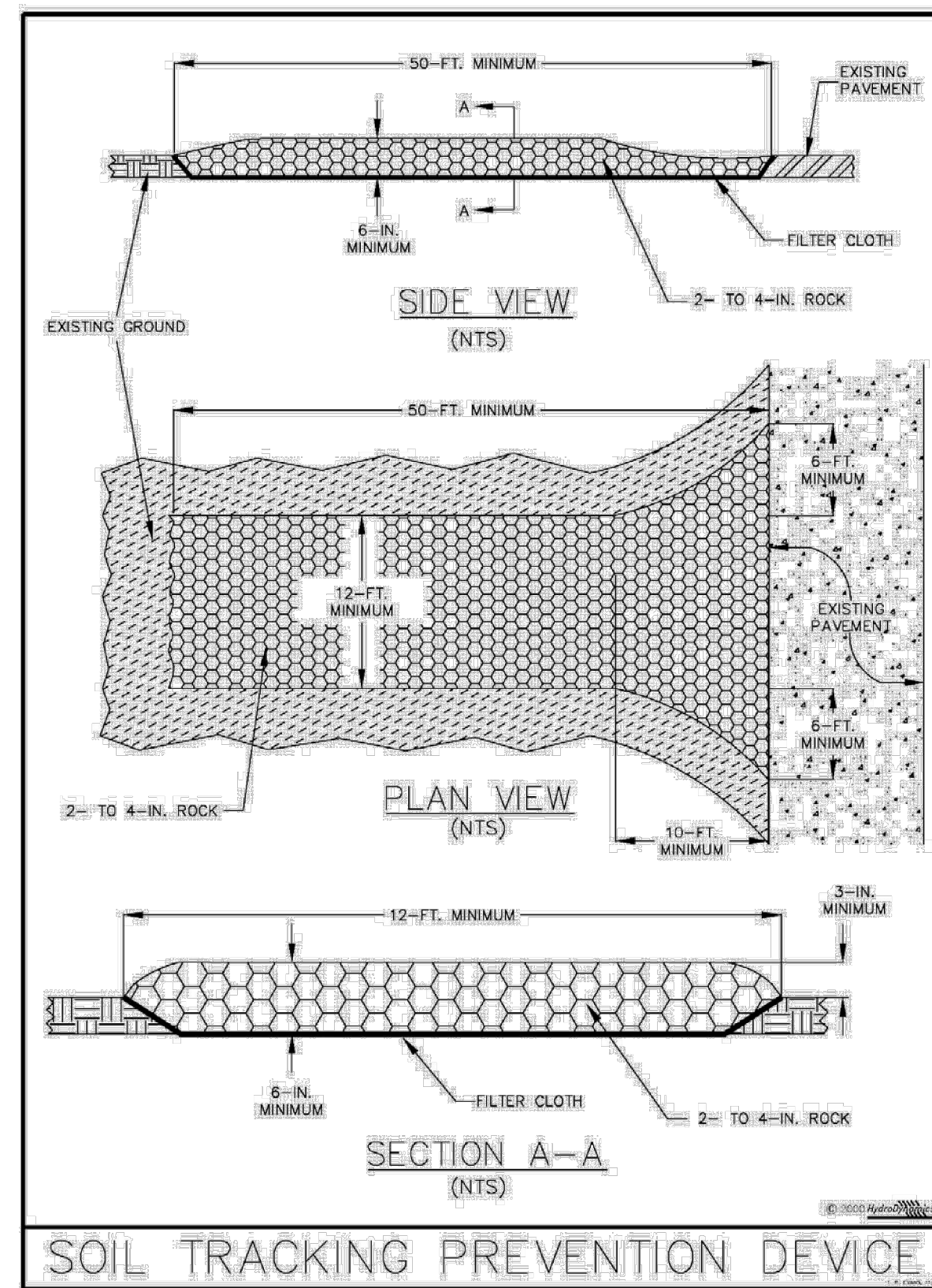


Figure V-14: Illustration of a Soil Tracking Prevention Device

Permission is given by HydroDynamics Incorporated to copy and reproduce this detail

V-31

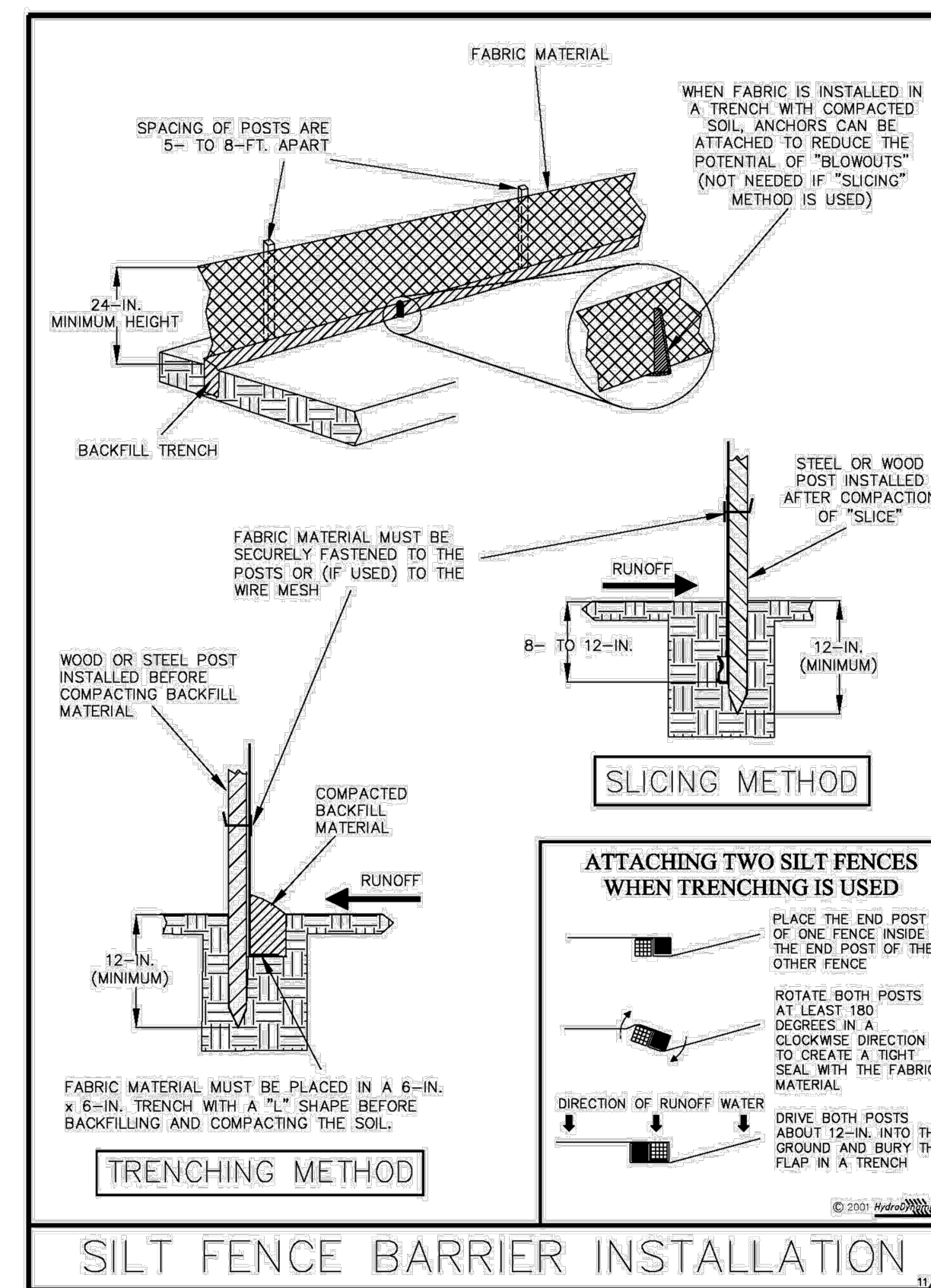


Figure V-40: Illustration of a Silt Fence Barrier

Permission is given by HydroDynamics Incorporated to copy and reproduce this detail

V-7

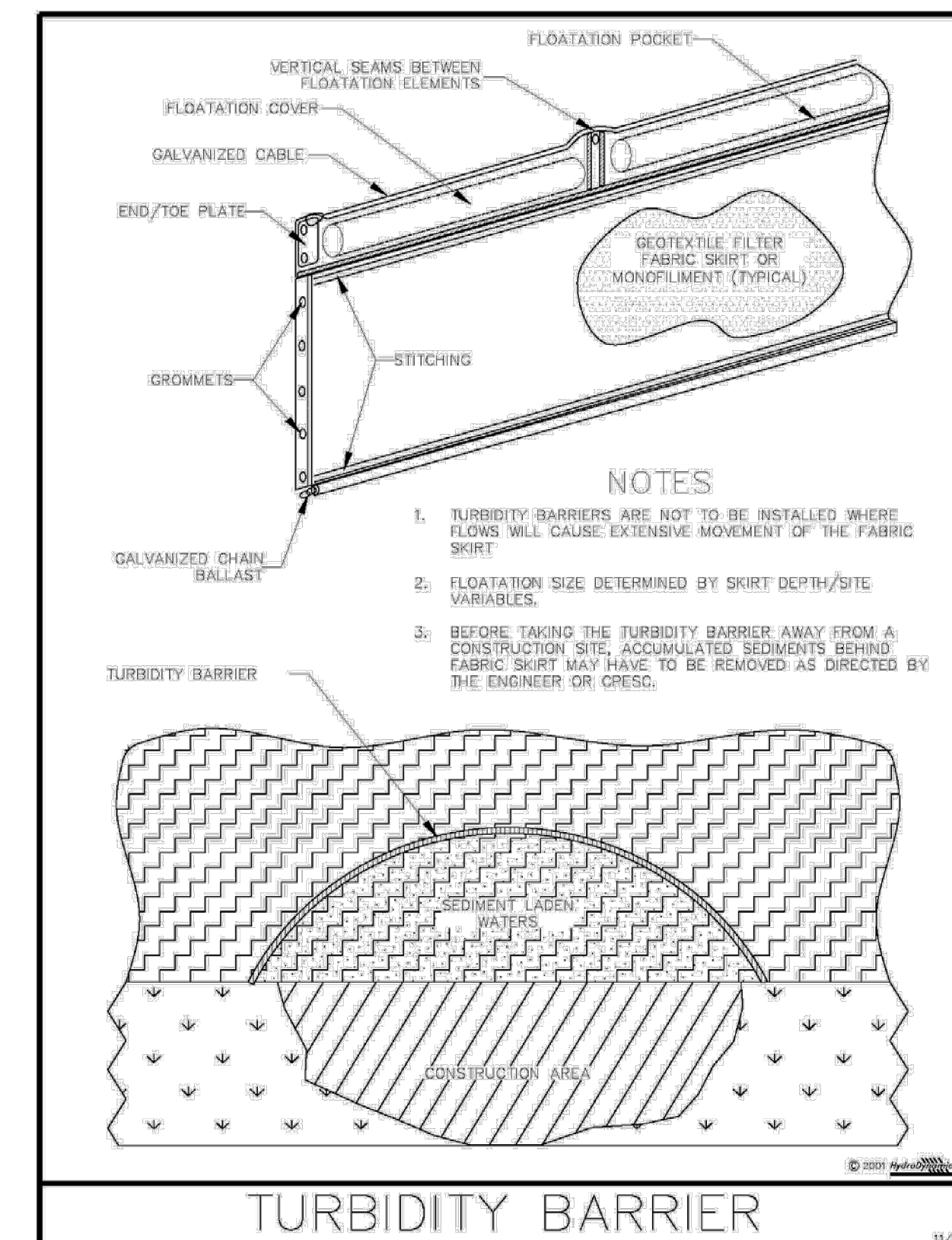


Figure V-6: Illustration of a Turbidity Barrier Curtain

Permission is given by HydroDynamics Incorporated to copy and reproduce this detail

V-15

P:\Proj-2021\21-122 COFFP - Little Jim Camp Sanitary Connection\_Eng\21-1-122 Base.dwg Plotted: 6/27/2022 8:26 AM By: KITHSIRI UDUGAMA

STEFAN K. MATHEIS, P.E.  
FL. REG. NO. 38723

COMPUTER FILE REF.	FIELD BK./PG.
21-122 COFFP	21-05/72

**CULPEPPER & TERPENING INC**  
 2980 SOUTH 25th STREET • FORT PIERCE, FLORIDA 34981  
 PHONE 772-464-3537 • FAX 772-464-9497 • www.ct-eng.com  
 STATE OF FLORIDA BOARD OF PROFESSIONAL ENGINEERS AUTHORIZATION NO. 4286

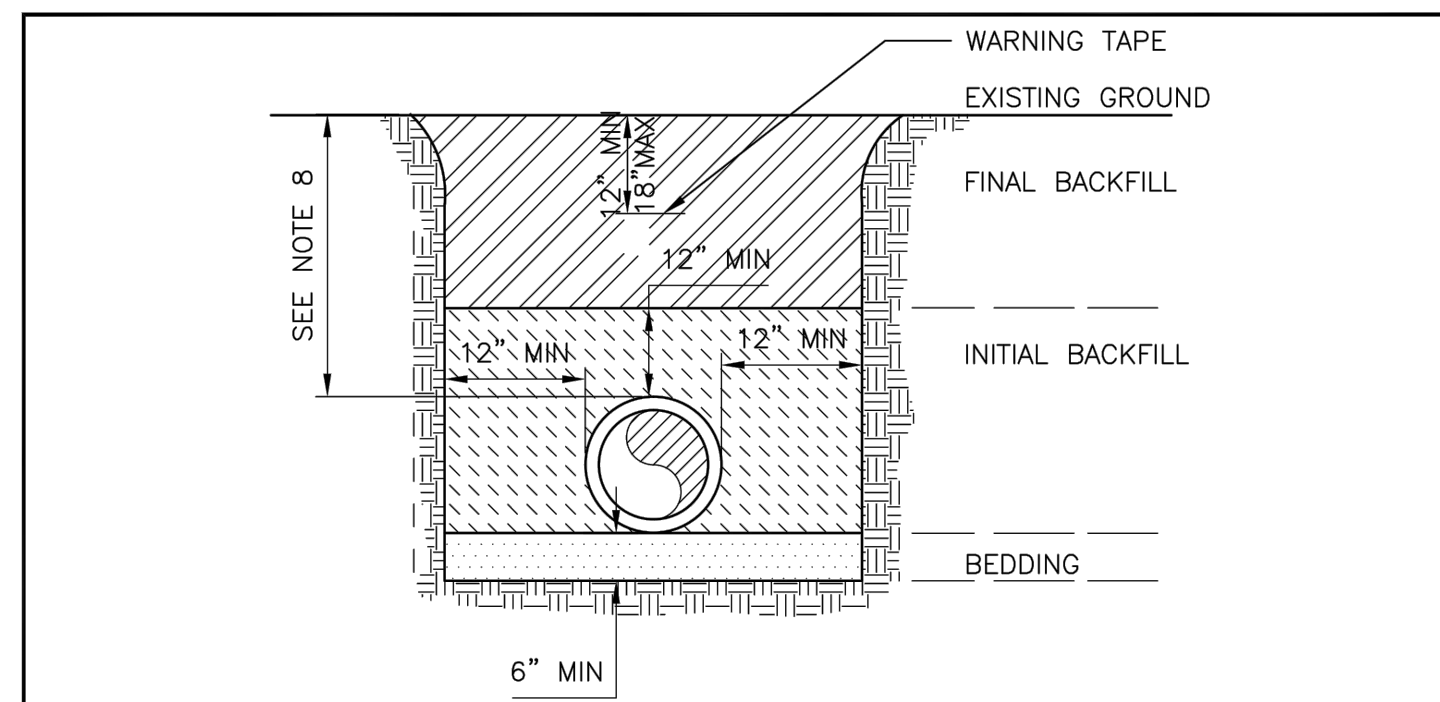
- REVISIONS -		BY	DATE

	BY	DATE
FIELD	SKM	1/20/22
CALCS.	SKM	2/2/22
DRAWN	KU	2/1/22
DETAILED	----	----
CHECKED	SKM	2/2/22
APPROVED	SKM	2/10/22

**LITTLE JIM CAMP SANITARY IMPROVEMENTS**

**SWPP DETAILS**

DATE: 2/10/22
HORIZ. SCALE: N/A
VERT. SCALE: N/A
JOB No. 21-122
SHEET 7 of 9



**NOTES:**

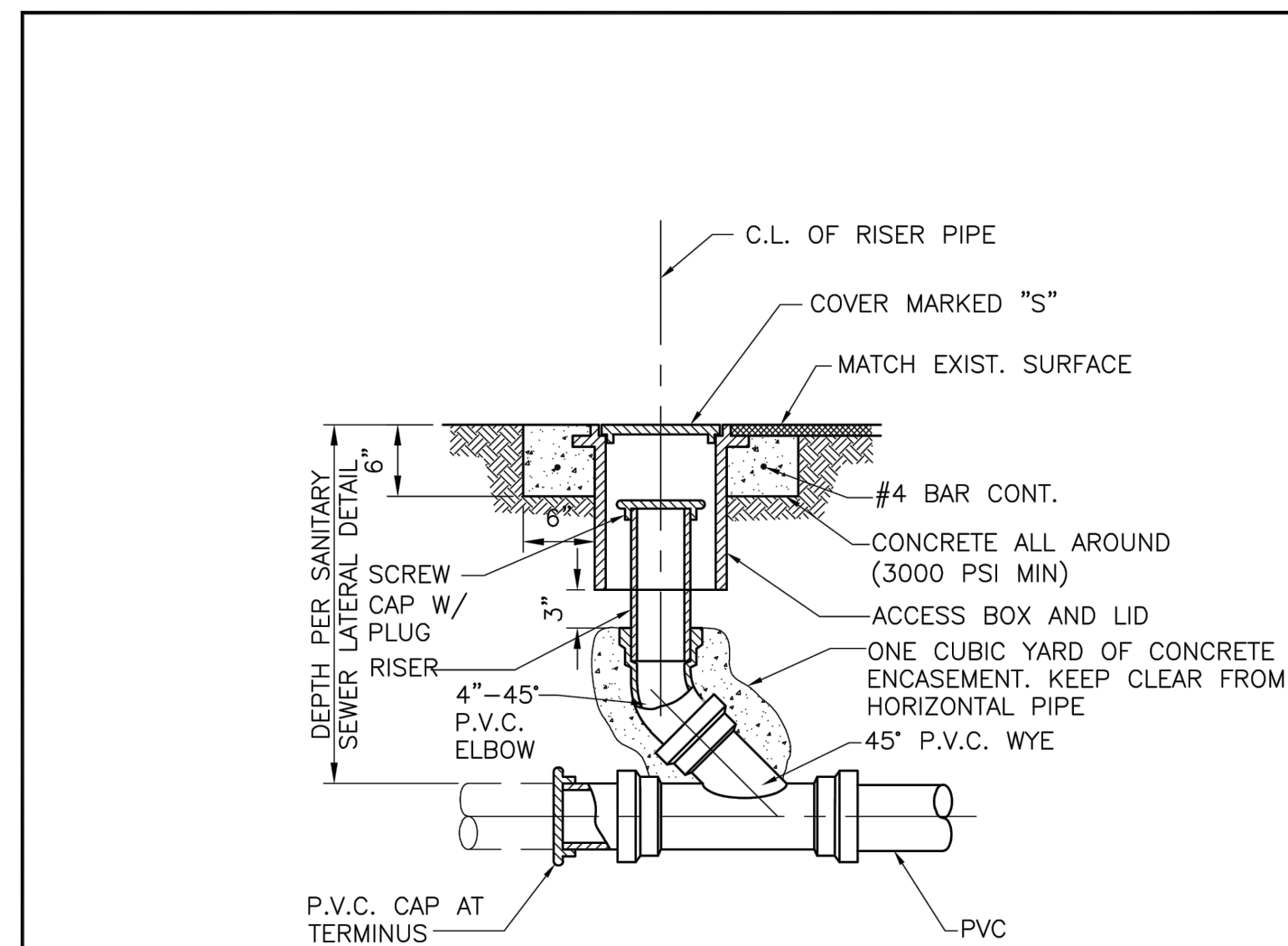
1. BEDDING MATERIAL SHALL BE HAND PLACED IN 6" LIFTS AND SHALL CONSIST OF IN-SITU GRANULAR MATERIAL OR APPROVAL MATERIAL. UNSUITABLE IN-SITU MATERIALS SUCH AS MUCK, DEBRIS AND ROCK SHALL BE REMOVED.
2. THE PIPE SHALL BE FULLY SUPPORTED FOR ITS ENTIRE LENGTH WITH APPROPRIATE COMPACTION UNDER THE PIPE HAUNCHES.
3. THE PIPE SHALL BE PLACED IN A DRY TRENCH.
4. BACKFILL SHALL BE DONE WITH APPROVED MATERIAL, CLEAN AND FREE OF ROCKS, MUCK AND OTHER DELETERIOUS MATTER AND COMPACTED BENEATH THE HAUNCHES OF THE PIPE USING MECHANICAL TAMPERS TO 100% MAXIMUM DENSITY AS DETERMINED BY AASHTO T-99.
5. BACKFILL TO BE COMPACTED ALONG THE SIDES OF THE PIPE AND TO A POINT ONE FOOT ABOVE THE TOP OF THE PIPE TO 100% MAXIMUM DENSITY AS DETERMINED BY AASHTO T-99.
6. A. WHERE PAVEMENT IS TO BE CONSTRUCTED OVER THE PIPE, THE REMAINING BACKFILL SHALL BE COMPACTED IN 6 INCH LAYERS AND COMPACTED TO 98% MAXIMUM DENSITY AS DETERMINED BY AASHTO T-180  
B. WHERE "NO" PAVEMENT IS TO BE CONSTRUCTED OVER THE PIPE, THE REMAINING FILL SHALL BE COMPACTED IN 6 INCH LAYERS TO A DENSITY 95% MAXIMUM DENSITY AS DETERMINED BY AASHTO T-180.
7. CONTRACTOR SHALL COMPLY WITH ALL STATE AND LOCAL TRENCH SAFETY REGULATIONS
8. MINIMUM COVER: UP TO 8" PIPE IS 30" COVER; 10" TO 12" PIPE IS 36" COVER; 14" AND LARGER PIPE IS 48" COVER.



ST. LUCIE COUNTY  
WATER & WASTEWATER  
CONSTRUCTION  
STANDARDS

**TYPICAL TRENCH  
DETAIL**

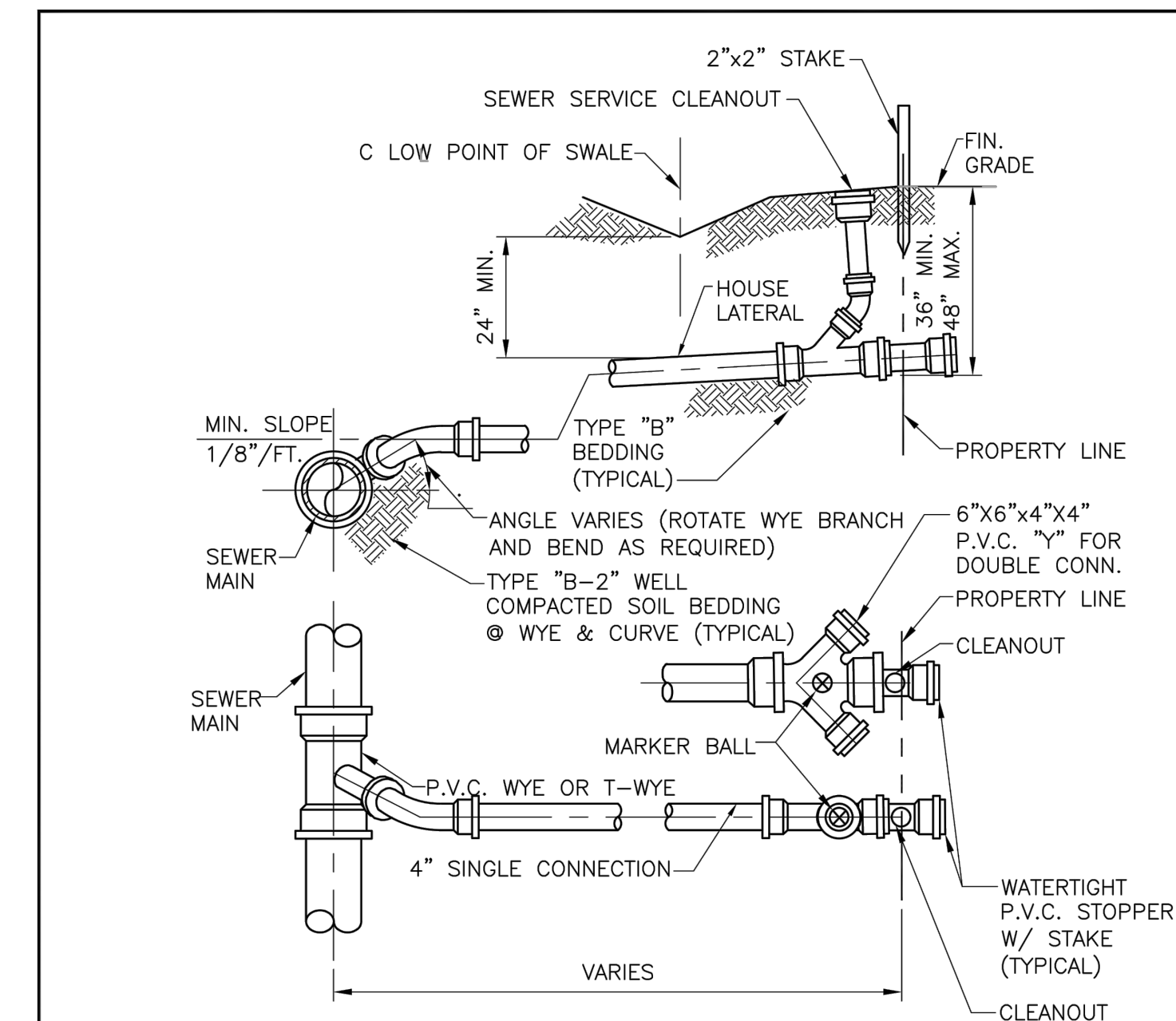
DATE APPROVED: DECEMBER 2015 DRAWING NUMBER: G-5



ST. LUCIE COUNTY  
WATER & WASTEWATER  
CONSTRUCTION  
STANDARDS

**SEWER SERVICE CLEANOUT**

DATE APPROVED: DECEMBER 2015 DRAWING NUMBER: S-2



**NOTES:**

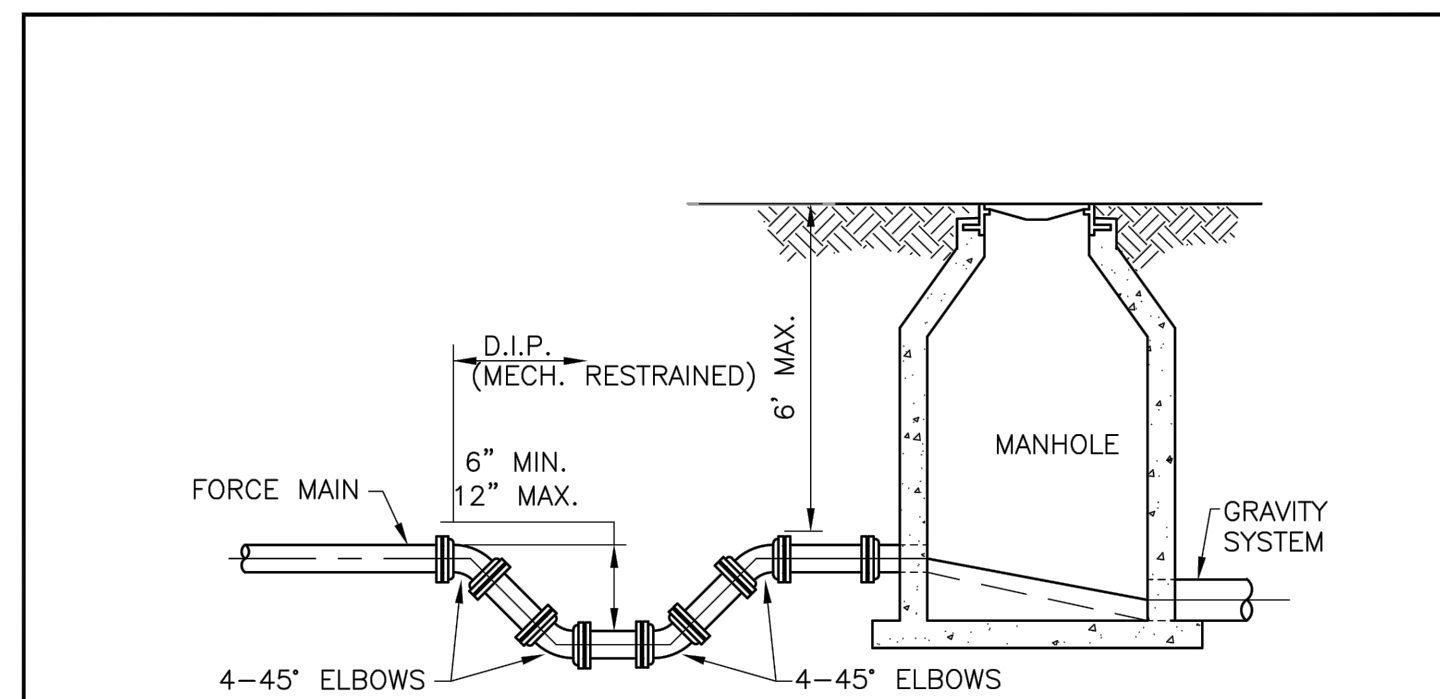
1. INVERT OF LATERAL TO BE 36" FROM FINISHED GRADE EXCEPT ON "WATER 1. LINE SIDE" OF STREET R/W WHERE IT SHALL DROP TO 48" AS SOON AS DEPTH OF SEWER MAIN PERMITS.
2. INSTALL MAGNETIC MARKERS AT THE END OF EACH SERVICE LINE OR OPPOSITE WYES AND RECORD LOCATION.



ST. LUCIE COUNTY  
WATER & WASTEWATER  
CONSTRUCTION  
STANDARDS

**SANITARY SEWER  
LATERAL DETAIL**

DATE APPROVED: DECEMBER 2015 DRAWING NUMBER: S-1



**NOTES:**

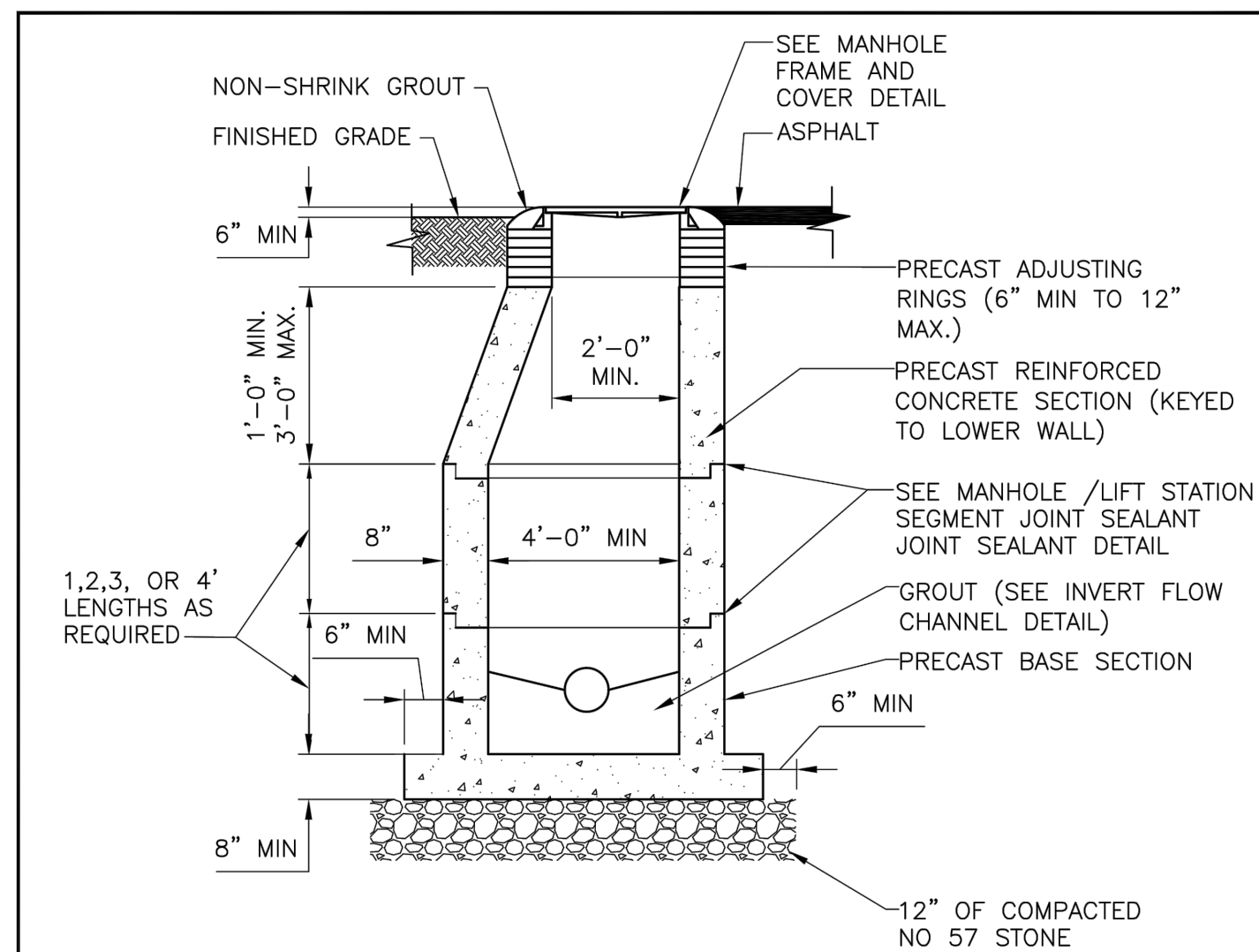
1. FORCE MAIN TO ENTER MANHOLE AS CLOSE AS POSSIBLE TO 180° TO GRAVITY OUTLET.
2. THE INVERT LEVEL OF FORCE MAIN AT POINT OF ENTRY SHALL BE 6" ABOVE INVERT OF MANHOLE.
3. CORE ENTRY ONLY INTO EXISTING MANHOLES.
4. TRAP TO BE LOCATED PRIOR TO DROP INTO MANHOLE AND OUTSIDE OF PAVED AREAS.
5. USE TWO 45° ELBOWS PAST TRAP IF ELEVATION DROP IS REQUIRED TO ENTER MANHOLE.
6. FLOW CHANNEL REQUIRED.
7. EXTERIOR OF MANHOLE TO RECEIVE 2 COATS OF COAL TAR EPOXY (BITUMASTIC 50). INTERIOR OF MANHOLE TO BE LINED WITH APPROVED LINING MATERIAL.



ST. LUCIE COUNTY  
WATER & WASTEWATER  
CONSTRUCTION  
STANDARDS

**FORCE MAIN ENTERING  
SHALLOW MANHOLE**

DATE APPROVED: DECEMBER 2015 DRAWING NUMBER: S-11



**NOTES:**

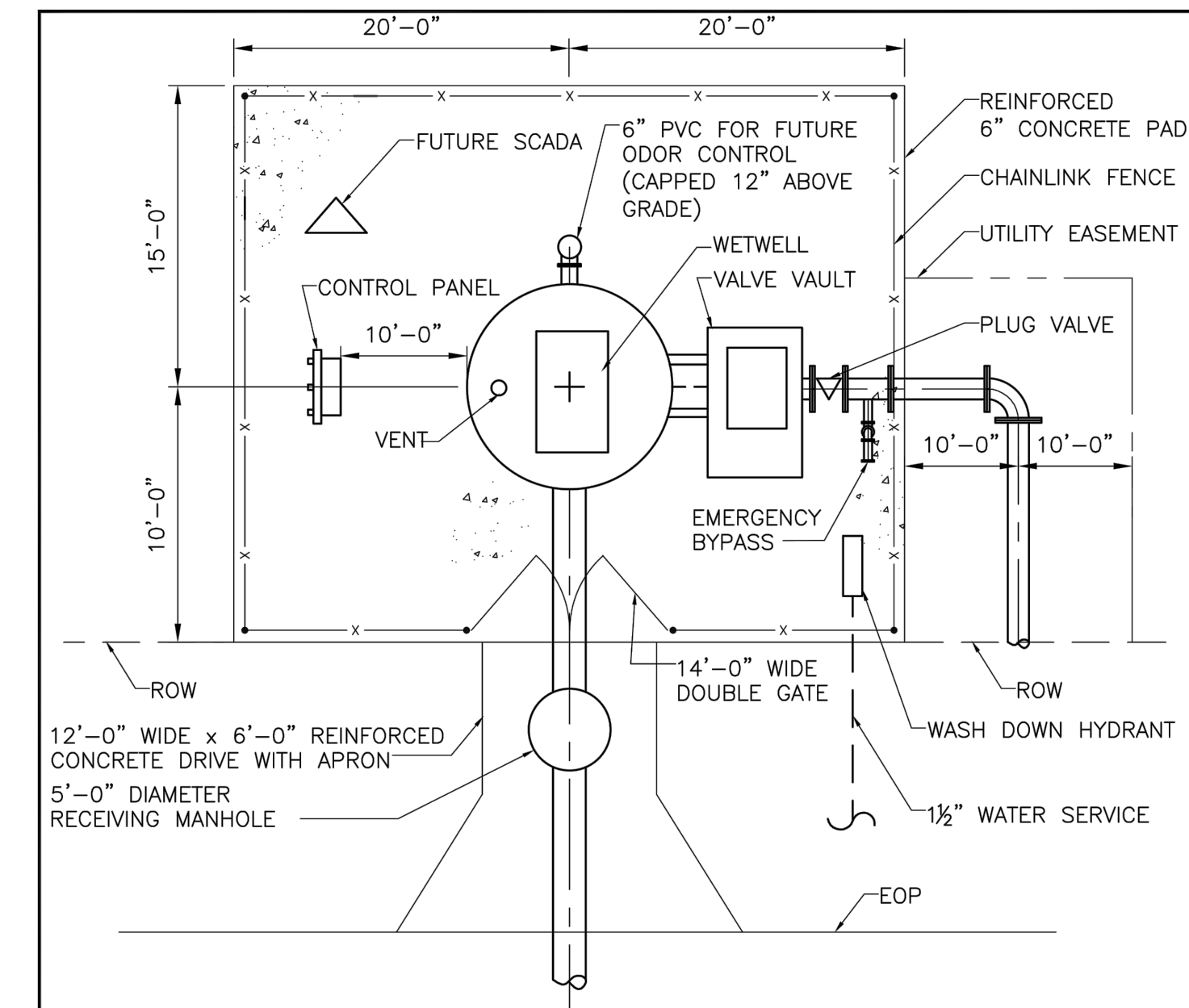
1. MANHOLES SHALL BE DESIGNED IN ACCORDANCE WITH ASTM C478.
2. CONNECTIONS AND GROUTING IN MANHOLE NOT SHOWN. SEE DRAWINGS FOR PIPE SIZE, LOCATIONS AND INVERTS.
3. PAINT OUTSIDE OF MANHOLE WITH TWO COATS OF COAL TAR EPOXY (BITUMASTIC 50)
4. LINE INSIDE OF MANHOLE WITH AN APPROVED LINING MATERIAL.
5. ALL PIPE PENETRATIONS SHALL BE PRECAST.



ST. LUCIE COUNTY  
WATER & WASTEWATER  
CONSTRUCTION  
STANDARDS

**STANDARD PRECAST  
MANHOLE DETAIL**

DATE APPROVED: DECEMBER 2015 DRAWING NUMBER: S-5



**NOTES:**

1. ALTERNATE LIFT STATION LAYOUTS WILL BE CONSIDERED BY THE DISTRICT ON A CASE-BY-CASE BASIS.



ST. LUCIE COUNTY  
WATER & WASTEWATER  
CONSTRUCTION  
STANDARDS

**TYPICAL LIFT STATION PLAN  
(SMALL)**

DATE APPROVED: DECEMBER 2015 DRAWING NUMBER: S-14

P:\Proj\2021\21-122 COFF - Little Jim Camp Sanitary Connection\_Eng\21-122 Base.dwg Plotted: 6/27/2022 8:26 AM By: KITHSIRI UDUGAMA

THOMAS P. KIERNAN  
PROFESSIONAL SURVEYOR & MAPPER  
FLORIDA CERTIFICATE NO. 6199

SIGNATURE DATE

COMPUTER FILE REF.	FIELD BK./PG.
21-122 COFF	21-05/72

**CULPEPPER & TERPENING INC**  
2980 SOUTH 25th STREET • FORT PIERCE, FLORIDA 34981  
PHONE 772-464-3537 • FAX 772-464-9497 • www.ct-eng.com  
STATE OF FLORIDA BOARD OF PROFESSIONAL ENGINEERS AUTHORIZATION NO. 4286

- REVISIONS -		BY	DATE

	BY	DATE
FIELD	SKM	1/20/22
CALCS.	SKM	2/2/22
DRAWN	KU	2/1/22
DETAILED	----	----
CHECKED	SKM	2/2/22
APPROVED	SKM	2/10/22

**LITTLE JIM CAMP SANITARY  
IMPROVEMENTS**

**UTILITY DETAILS**

DATE: 2/10/22
HORIZ. SCALE: N/A
VERT. SCALE: N/A
JOB No. 21-122
SHEET 8 of 9

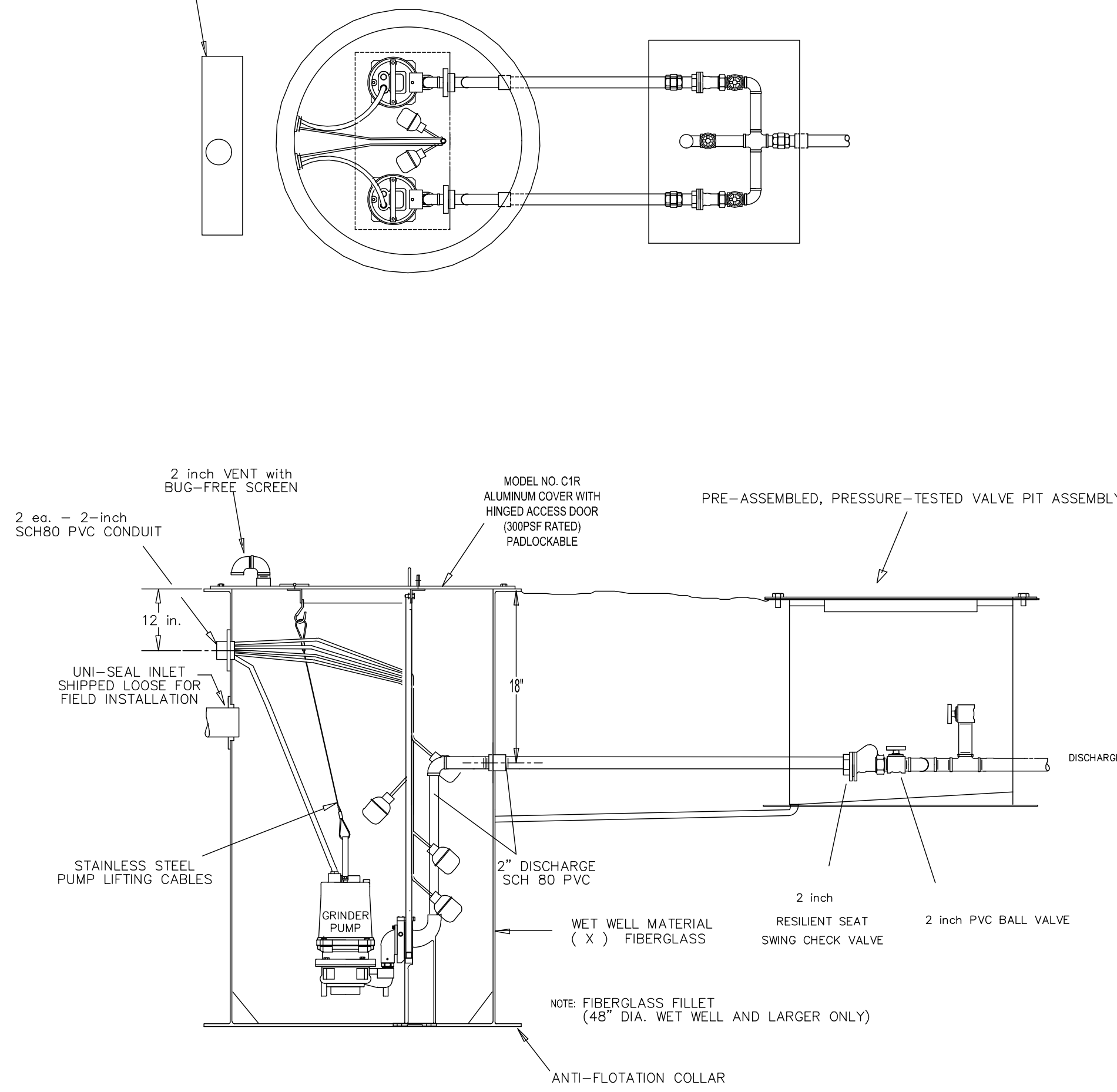
PUMP PERFORMANCE CHARACTERISTICS MODEL SGVF2022L 2HP 5.13"MP	
GPM: 33.5	TDH: 8.3 ft
PUMP HP: 2	CABLE LENGTH: 30 FT.
ELECTRICAL SERVICE:	
230 VAC	
1 PHASE	

CRITICAL DIMENSIONS & ELEVATIONS	
TOP OF WET WELL	6.60 ft.
GRADE AT WET WELL	6.50 ft.
INFLUENT PIPE INVERT	5.00 ft.
HIGH WATER ALARM "ON"	4.50 ft.
LAG PUMP "ON"	4.00 ft.
LEAD PUMP "ON"	3.50 ft.
ALL PUMPS "OFF"	3.20 ft.
WET WELL FLOOR	1.60 ft.
WET WELL DIAMETER	48 inch
WET WELL DEPTH	4.00 ft.
CONCRETE BALLAST REQUIRED	1.00' THICK MIN.
DISCHARGE PIPE SIZE	2 inch
INFLUENT PIPE DIAMETER & TYPE	4 inch PVC
DISCHARGE PIPE DEPTH (THROUGH VALVE PIT)	18 inch
BOTTOM OF PANEL (ABOVE GRADE)	30 - 36 inches

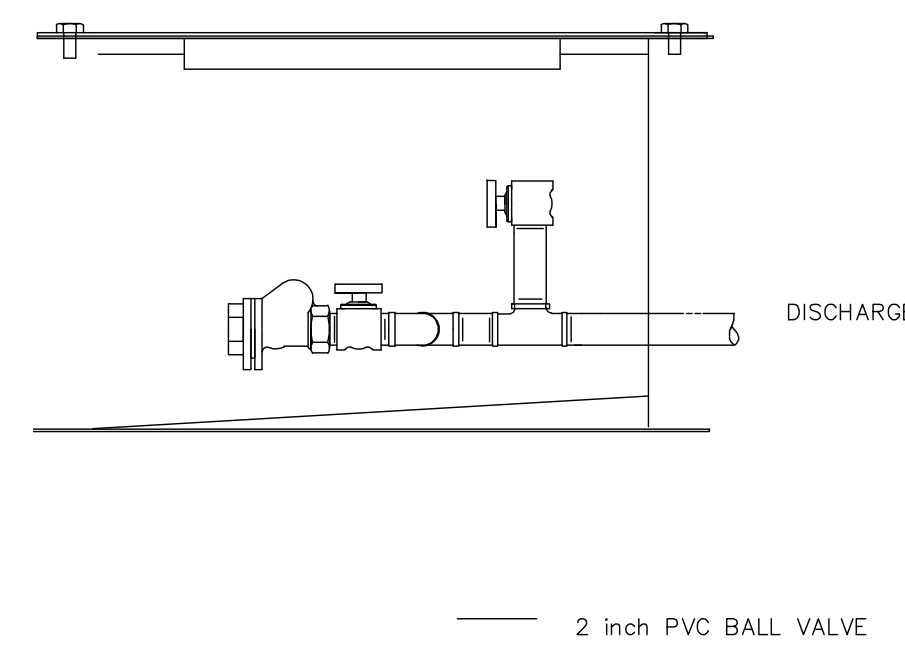
**DESIGN AND COMPLIANCE NOTES**

- SYSTEM SPECIFIED THIS PAGE COMPLIES WITH THE FOLLOWING REFERENCE STANDARDS:  
+ FLORIDA ADMINISTRATIVE CODE (FAC) CHAPTER 62-604 "COLLECTION SYSTEMS AND TRANSMISSION FACILITIES" AND ALL RELATED AND CROSS REFERENCED STANDARDS  
+ NFPA 820  
+ RECOMMENDED STANDARDS FOR WASTEWATER FACILITIES (TEN STATES STANDARDS).
- PUMPS SHALL BE SUITABLE FOR HAZARDOUS LOCATIONS CLASS I, GROUP D, DIVISION 1 <or> DIVISION 2 (AS CATEGORIZED BY NFPA 820).
- CONTROL PANELS SHALL BE U.L. LISTED PER 698A FOR OPERATING MOTORS LOCATED WITHIN CLASS I, GROUP D LOCATION.
- WET WELL TOP AND CONTROLS MUST BE APPROPRIATELY LOCATED ABOVE THE 25 YEAR AND 100 YEAR FLOOD ELEVATIONS, RESPECTIVELY, PER F.A.C. 62-604.400(2)(e).

MOUNT TO BACK OF BUILDING



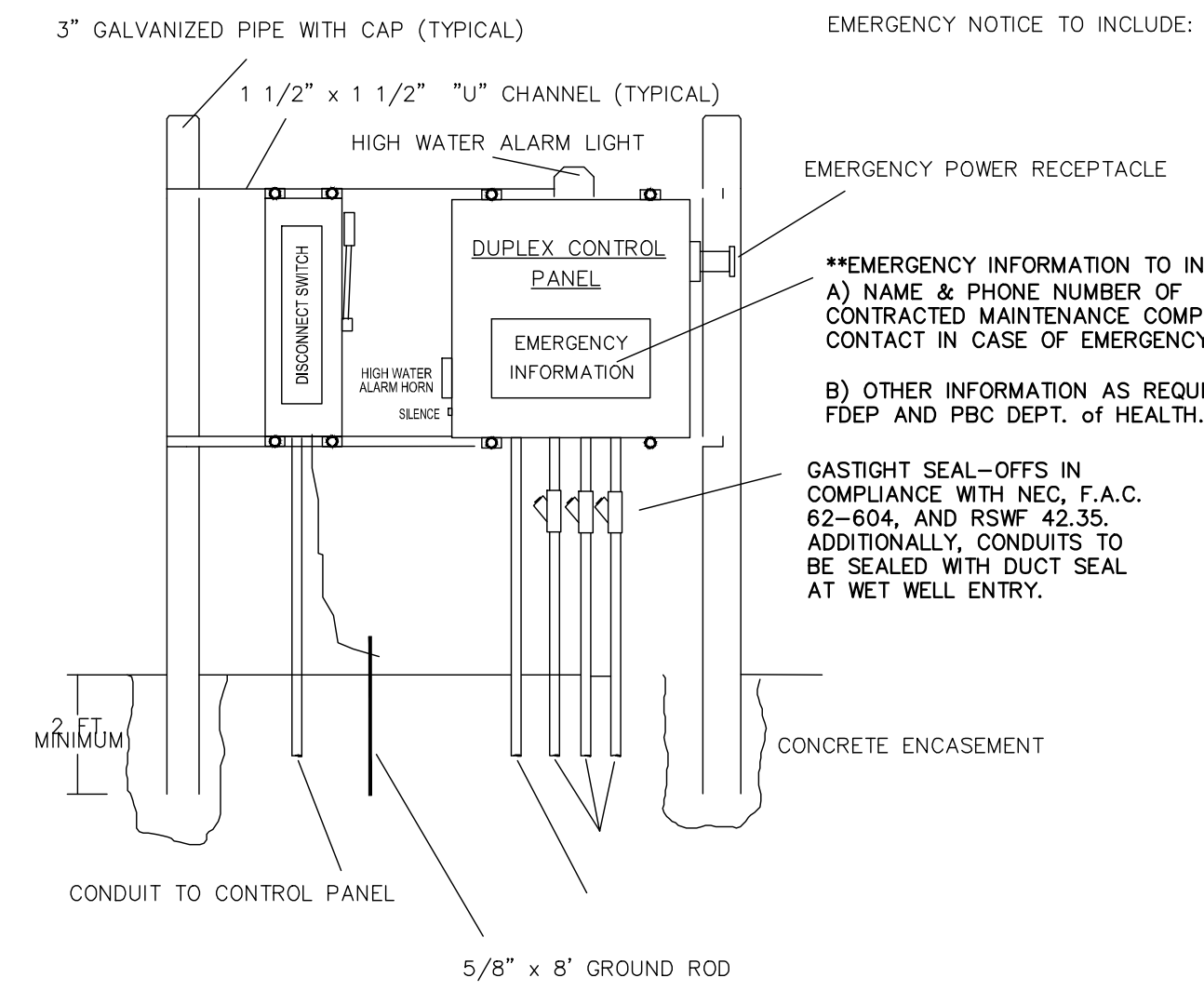
LIFT STATION  
(NOT TO SCALE)



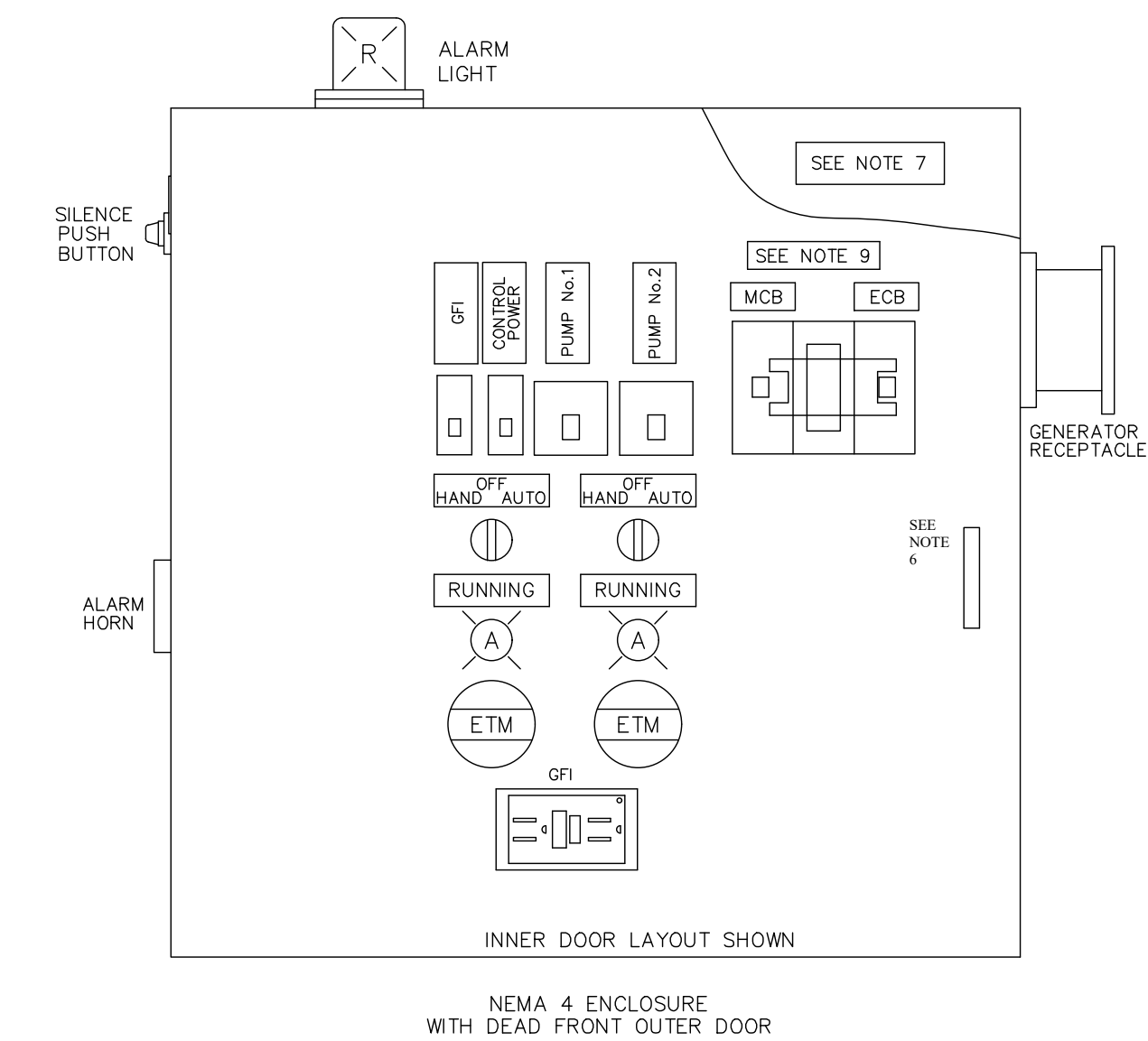
- ASSEMBLED VALVE PIT ASSEMBLY SHALL BE PRESSURE TESTED @150 PSIG FOR MINIMUM 15 MINUTES WITH ZERO LOSS (TEST AGAINST CHECK VALVES AND CLOSED DISCHARGE).
- CHECK VALVES AND ISOLATION VALVES ARE PROVIDED FOR EACH PUMP PER rswf 42.5 AND FDEP PERMIT ITEM 50.
- VALVE PIT SHALL HAVE ENCLOSED BOTTOM WITH SLOPED FLOOR AND DRAIN LINE RETURNING TO THE WET WELL (COMPLETE WITH P-TRAP ASSEMBLY) PER RSWF 44.33 AND FDEP PERMIT ITEM 70.
- BY-PASS PUMP CONNECTION IS PROVIDED PER FAC 62-604.400(2)(c)(3).
- COVER MUST INCLUDE TAMPER RESISTANT HARDWARE AND PADLOCK.

PRE-ASSEMBLED & PRESSURE TESTED  
VALVE PIT ASSEMBLY

**GRINDER PUMP DETAILS**



\*\*PROOF OF MAINTENANCE CONTRACT WILL BE REQUIRED PRIOR TO RELEASING LIFT STATION FOR OPERATION.



- ALL WIRING AND GROUNDING IS TO BE IN ACCORDANCE WITH NEC AND LOCAL CODES.
- WET WELL IS CLASSIFIED AS A CLASS I, GROUP D HAZARDOUS LOCATION. CONDUITS TO/FROM WET WELL MUST INCLUDE SEAL-OFFS, ETC. TO COMPLY WITH NEC AND LOCAL CODES.
- ALL EQUIPMENT GROUNDING TO BE PROVIDED IN ACCORDANCE WITH NEC AND LOCAL CODES.
- ALL PENETRATIONS INTO THE PUMP CONTROL PANEL ARE TO BE MADE IN THE BOTTOM OF THE ENCLOSURE ONLY.
- POWER SERVICE METER CAN (IF PROVIDED) IS TO BE MOUNTED TO THE LEFT OF THE DISCONNECT SWITCH <OR> ON THE "REAR" OF THE EQUIPMENT RACK SHOWN.
- CONTROL PANEL TO INCLUDE LIGHTNING ARRESTOR AND SURGE CAPACITOR IN ACCORDANCE WITH F.A.C. CHAPTER 62-604.400(2)(b).

ALL PRODUCTS SHOWN THIS PAGE ARE  
AVAILABLE FROM:

**SOUTHEASTERN PUMP**  
Pompano Beach (800) 396-4182  
Tampa (800) 688-5927  
Jacksonville (904) 425-6931

STEFAN K. MATTHEIS, P.E.  
FL. REG. NO. 38723

COMPUTER FILE REF.	FIELD BK./PG.
21-122 COFF	21-05/72

**CULPEPPER & TERPENING INC**  
2980 SOUTH 25th STREET • FORT PIERCE, FLORIDA 34981  
PHONE 772-464-3537 • FAX 772-466-9497 • www.ct-eng.com  
STATE OF FLORIDA BOARD OF PROFESSIONAL ENGINEERS AUTHORIZATION NO. 4286

- REVISIONS -		BY	DATE

	BY	DATE
FIELD	SKM	1/20/22
CALCS.	SKM	2/2/22
DRAWN	KU	2/1/22
Detailed		
CHECKED	SKM	2/2/22
APPROVED	SKM	2/10/22

**LITTLE JIM CAMP SANITARY IMPROVEMENTS**

**GRINDER STATION DETAILS**

DATE: 2/10/22  
HORIZ. SCALE: N/A  
VERT. SCALE: N/A  
JOB No. 21-122  
SHEET 9 of 9