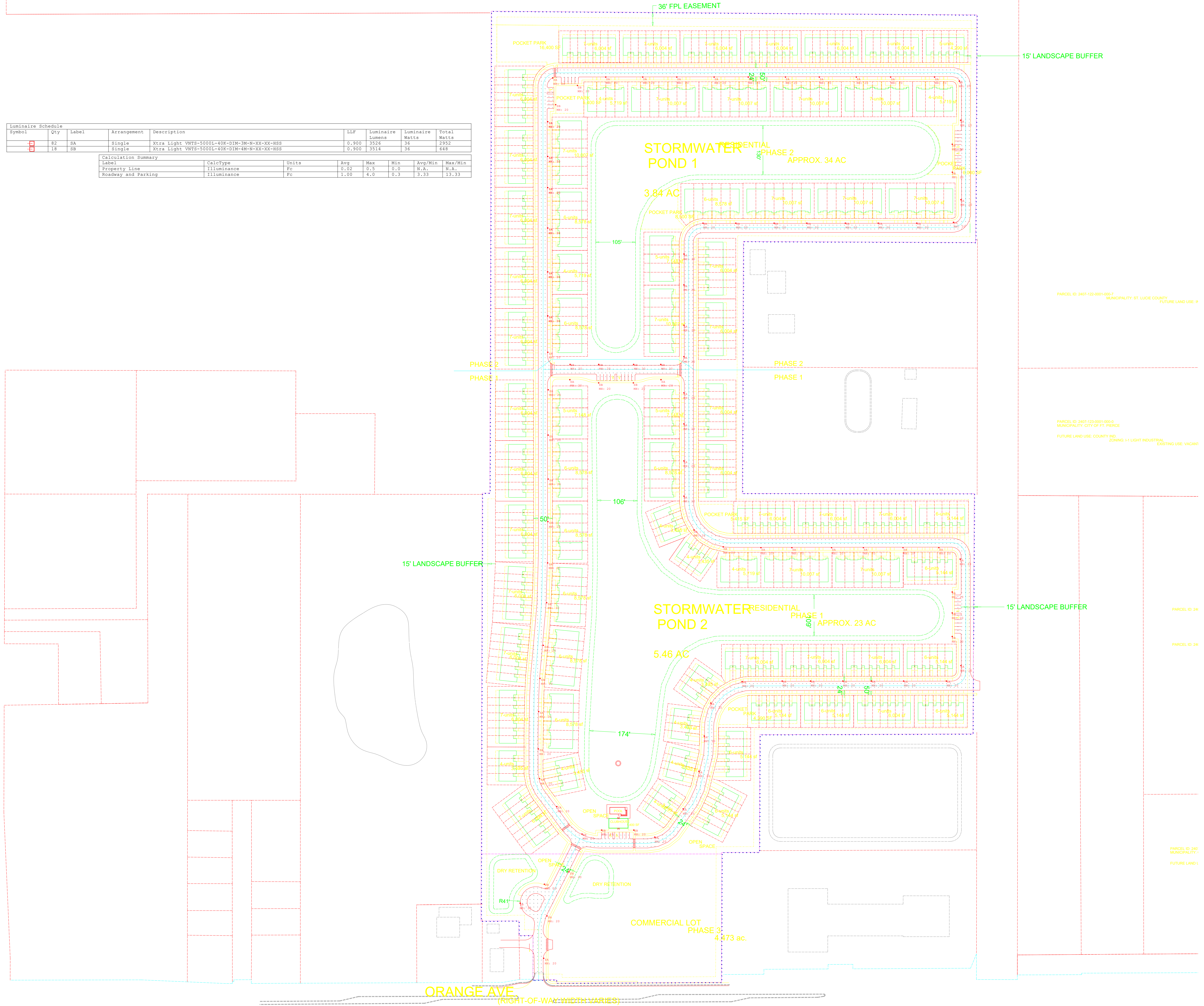


Luminaire Schedule								
Symbol	Qty	Label	Arrangement	Description	LLF	Luminaire Lumens	Luminaire Watts	Total Watts
SA	82	SA	Single	Xtra Light VHS-5000L-40K-DIM-3M-N-XX-XX-HSS	0.900	3526	36	2952
SB	18	SB	Single	Xtra Light VHS-5000L-40K-DIM-4M-N-XX-XX-HSS	0.900	3514	36	648
Calculation Summary								
Label	CalcType	Units	Avg	Max	Min	Avg/Min	Max/Min	
Property Line	Illuminance	Fc	0.02	0.5	0.0	N.A.	N.A.	
Roadway and Parking	Illuminance	Fc	1.00	4.0	0.3	3.33	13.33	



ORANGE AVE
(RIGHT-OF-WAY WIDTH VARIES)

Project Name	Type
Catalog #	Date

VIENTO AREA LUMINARE



APPLICATIONS

- Area Lighting
- Retail Spaces
- Street Lighting
- Auto Dealerships & Sales Lots
- Parks & Recreation Areas
- Safety & Security

APPROVALS

- ETL Listed
- Complies with UL 1598 and CSA C22.2
- Suitable for wet locations
- 3G Vibration Rated
- IP66 Rated
- BAA Compliant
- RoHS Compliant
- ATAL Tested www.ata-labs.com
- Select models DLC Premium. For a complete list of DLC Premium products visit: www.xtralight.com/dlc or qpl.designlights.org



FEATURES

- Lumen packages ranging from 5000L to 55000L.
- Outstanding photometric performance results in excellent uniformity, optimal pole spacing and lower power density.
- Low profile architectural design offers a contemporary appearance with excellent light output.
- Enhanced foot candles delivered utilizing multiple optical options.
- Full cut-off optics with zero uplight.

CONSTRUCTION

- Thermal management achieved with a one-piece die-cast aluminum has integral heat fins and a hinged electrical compartment.
- Thermoset powder coat, available in bronze, white or custom colors (consult factory)
- IP66, precision molded, polycarbonate optics providing impact resistance and UV stabilization.
- Upgraded door to provide better protection from water intrusion.

ELECTRICAL

- Voltage: 120-277V or 347-480V AC input
- Driver: Class 1, constant current, calibrated to lumen package (0-10V dimming standard)
- Surge Protection: 20kA standard.
- Operating temperature: -40°C to +50°C (-40°F to +122°F)

CONTROLS

- Programmable smart sensor and twist-lock receptacle control options available.

MOUNTING

- Integral arm with key hole slot facilitates quick and easy installation.
- Adjustable slip fitter, round pole adaptor, universal pole adaptor, and other mounting options available as accessories.

WARRANTY

- Backed by XtraLight's limited 5-year warranty.

ORDER LOGIC

SAMPLE CATALOG NUMBER: VNTL-55000L-50K-DIM-5SN-BZ

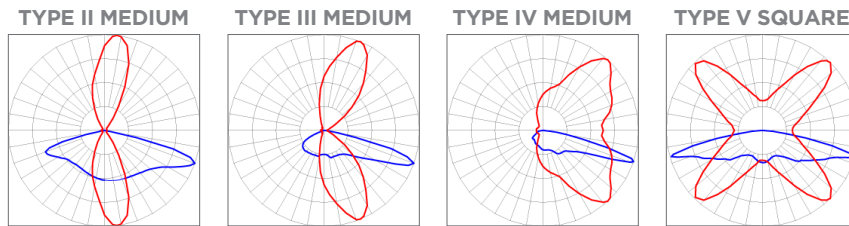
SIZE	MODEL	CCT ¹	DRIVER	OPTICS	ORIENTATION	FINISH	CONTROLS	OPTIONS								
S Small	5000L	30K 3000K	DIM Dim 0-10V, 120-277V	2M Type II Medium	N Normal (forward)	BZ Bronze	XX No Fixture Controls	HSS House-side Shield								
	10000L	40K 4000K							ASF⁵ Adjustable Slip Fitter Cord Whip							
	15000L	50K 5000K	DIMO² Dim 0-10V, 120-277V	3M Type III Medium	L Left	CC⁴ Custom Color	3⁶ NEMA 3-Pin Twist-Lock Receptacle									
M Medium	15000L		HVD to off	4M Type IV Medium	R Right		BS7⁵ Bluetooth Smart Sensor, 40'H/100'D	5⁶ NEMA 5-Pin Twist-Lock Receptacle								
	20000L								5S³ Type V Square			CAS Casambi Controlled	7⁶ NEMA 7-Pin Twist-Lock Receptacle			
	25000L													AUT Autani Controlled	10Y 10 Year Warranty	
	30000L															SYN Synapse Controlled
	35000L															
L Large	30000L						CUS Custom Sensor (Factory Installed)									
	35000L															
	40000L															
	45000L															
	50000L															
55000L																

1. Custom CCT available from 2700K - 6500K.
2. Some models may not be available with **DIMO** (Dim to off).
3. The **5S** (Type V Square) optic option is not available with **L** (Left) or **R** (Right) orientations.
4. Provide the desired RAL number for custom colors.
5. Sensor integrated in bottom fixture. (See dimensional drawing)
6. The **ASF** (Adjustable Slip Fitter Cord Whip) must be paired with the Adjustable Slip Fitter accessory (sold separately).
7. Photocell ordered separately. (See page 6)

VIENTO AREA LUMINARE

VNT

ISO LINES



• Red: Horizontal / Blue: Vertical

PHOTOMETRIC DATA

STANDARD

SIZE	MODEL	OPTICS	3000K		4000K		5000K		WATTAGE	BUG RATING
			LUMENS	EFFICACY	LUMENS	EFFICACY	LUMENS	EFFICACY		
VNTS SMALL	5000L	2M	5418	151	5644	156	5559	154	36	B2-U0-G2
		3M	5113	142	5326	148	5246	146		B2-U0-G3
		4M	5054	140	5265	146	5186	144		B1-U0-G3
		5S	5172	144	5387	149	5306	147		B3-U0-G2
	10000L	2M	11533	152	12014	158	11834	156	76	B3-U0-G3
		3M	10855	143	11307	149	11137	147		B2-U0-G2
		4M	10765	142	11214	148	11046	145		B2-U0-G4
		5S	11005	145	11464	151	11292	149		B4-U0-G3
	15000L	2M	15802	145	16460	152	16213	149	109	B3-U0-G3
		3M	15022	138	15648	144	15413	141		B3-U0-G3
		4M	14911	137	15532	143	15299	140		B3-U0-G5
		5S	15252	140	15887	146	15649	144		B4-U0-G3
	18000L	2M	18315	142	19078	147	18792	146	129	B3-U0-G3
		3M	17206	133	17923	139	17654	137		B3-U0-G3
		4M	17270	134	17990	139	17720	137		B3-U0-G5
		5S	17461	135	18189	141	17916	139		B4-U0-G3
VNTM MEDIUM	15000L	2M	15802	146	16460	152	16213	150	108	B3-U0-G3
		3M	15022	139	15648	145	15413	143		B3-U0-G3
		4M	14911	138	15532	143	15299	142		B3-U0-G5
		5S	15252	141	15887	146	15649	145		B4-U0-G3
	20000L	2M	23067	152	24028	158	23668	156	152	B3-U0-G3
		3M	21709	143	22614	149	22275	147		B3-U0-G3
		4M	21531	142	22428	148	22092	145		B3-U0-G5
		5S	22011	145	22928	151	22584	149		B4-U0-G3
	25000L	2M	25861	144	26939	149	26535	147	180	B4-U0-G4
		3M	23574	131	24556	136	24188	134		B4-U0-G3
		4M	23645	131	24630	136	24261	135		B3-U0-G4
		5S	24347	135	25362	141	24981	139		B5-U0-G3
	30000L	2M	31340	144	32646	151	32156	148	217	B4-U0-G4
		3M	29674	137	30910	142	30446	140		B4-U0-G4
		4M	29881	138	31126	144	30659	141		B4-U0-G5
		5S	30148	139	31404	145	30933	143		B5-U0-G4
	35000L	2M	35492	143	36971	148	36416	146	249	B4-U0-G4
		3M	33668	135	35071	141	34545	139		B4-U0-G3
		4M	33458	134	34852	140	34329	138		B4-U0-G5
		5S	34451	138	35886	144	35348	142		B5-U0-G4

• Some Photometric Data is extrapolated and subject to change.

VIENTO AREA LUMINARE

VNT


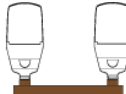
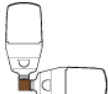

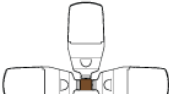

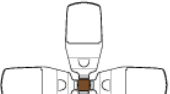
PHOTOMETRIC DATA

STANDARD

SIZE	MODEL	OPTICS	3000K		4000K		5000K		WATTAGE	BUG RATING
			LUMENS	EFFICACY	LUMENS	EFFICACY	LUMENS	EFFICACY		
VNTL LARGE	30000L	2M	31340	144	32646	151	32156	148	217	B4-U0-G4
		3M	29674	137	30910	142	30446	140		B4-U0-G4
		4M	29881	138	31126	144	30659	141		B4-U0-G5
		5S	30148	139	31404	145	30933	143		B5-U0-G4
	35000L	2M	35492	143	36971	148	36416	146	249	B4-U0-G4
		3M	33668	135	35071	141	34545	139		B4-U0-G3
		4M	33458	134	34852	140	34329	138		B4-U0-G5
		5S	34451	138	35886	144	35348	142		B5-U0-G4
	40000L	2M	40952	146	42658	152	42018	150	280	B5-U0-G4
		3M	38022	136	39606	141	39012	139		B5-U0-G4
		4M	38370	137	39969	143	39369	141		B4-U0-G5
		5S	39267	140	40903	146	40289	144		B5-U0-G5
	45000L	2M	46738	143	48685	150	47955	147	326	B5-U0-G4
		3M	43393	133	45201	139	44523	137		B5-U0-G4
		4M	43522	134	45335	139	44655	137		B4-U0-G5
		5S	44814	137	46681	143	45981	141		B5-U0-G5
	50000L	2M	51723	143	53878	149	53070	147	361	B5-U0-G5
		3M	47148	131	49112	136	48375	134		B5-U0-G5
		4M	47292	131	49263	136	48524	134		B4-U0-G5
		5S	48694	135	50723	141	49962	138		B5-U0-G5
	55000L	2M	54761	141	57043	147	56187	145	388	B5-U0-G5
		3M	51948	134	54112	139	53300	137		B5-U0-G5
		4M	52141	134	54314	140	53499	138		B4-U0-G5
		5S	53689	138	55926	144	55087	142		B5-U0-G5

- Some Photometric Data is extrapolated and subject to change.

EPA RATINGS

	SINGLE	DUAL SSA	TWO AT 90	TWO AT 180	THREE AT 90	THREE AT 120	FOUR AT 90
							
SMALL	0.74 sq. ft.	1.37 sq. ft.	1.13 sq. ft.	1.27 sq. ft.	1.27 sq. ft.	1.26 sq. ft.	1.27 sq. ft.
MEDIUM	1.04 sq. ft.	1.50 sq. ft.	1.63 sq. ft.	1.86 sq. ft.	1.87 sq. ft.	1.85 sq. ft.	1.87 sq. ft.
LARGE	1.27 sq. ft.	1.54 sq. ft.	2.02 sq. ft.	2.34 sq. ft.	2.35 sq. ft.	2.27 sq. ft.	2.35 sq. ft.

- EPA calculated with the following:
 - 4" square pole (Single, Two At 90, Two At 180, Three At 90, Four At 90)
 - 4" round pole (Three At 120)
 - VNT-SSA (Dual SSA)

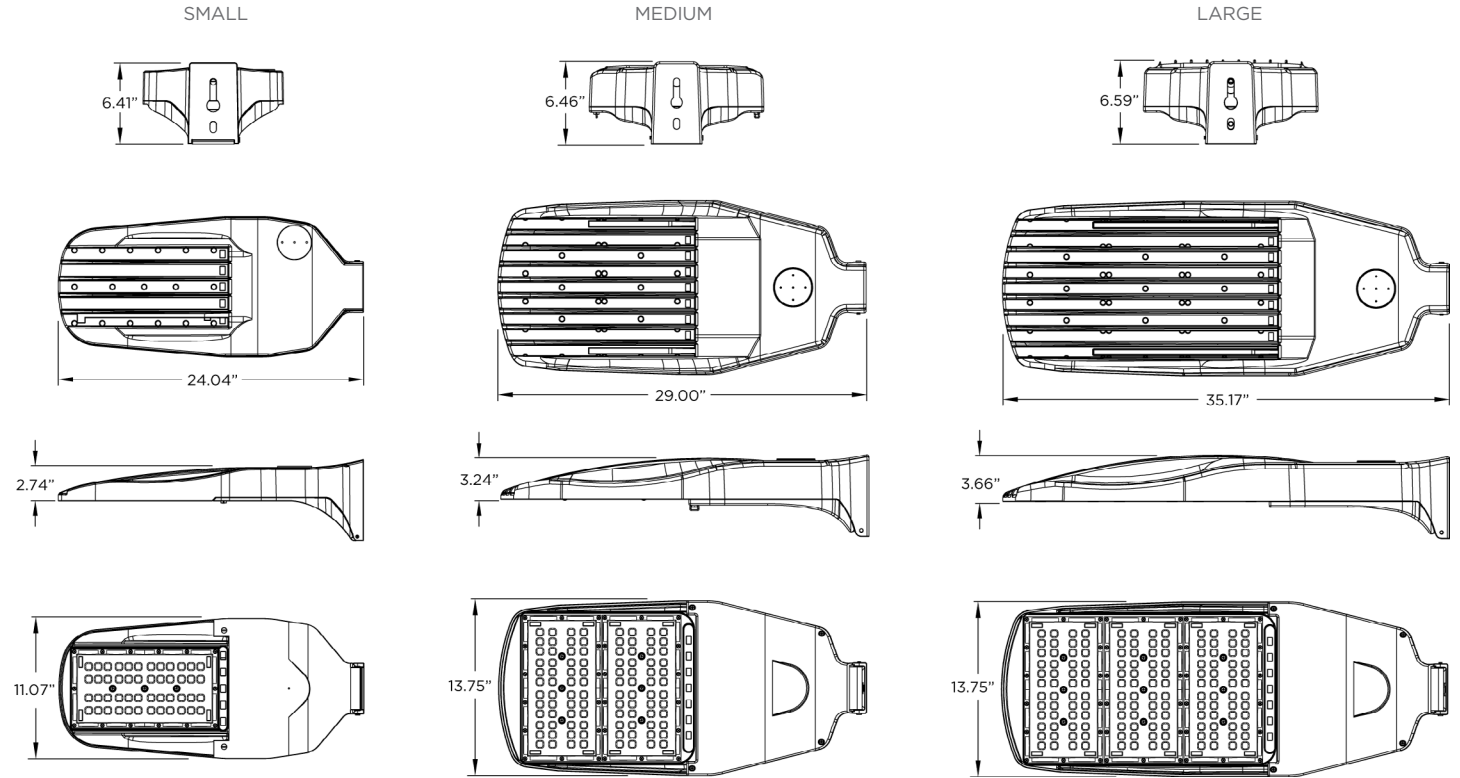
VIENTO AREA LUMINARE

VNT

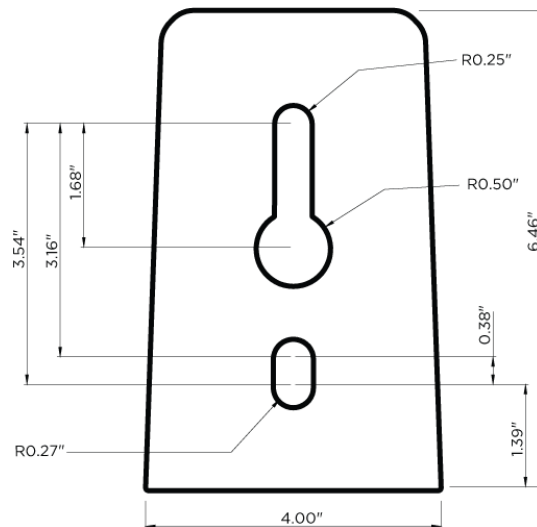
DIMENSIONAL DATA

STANDARD SIZES

WEIGHT:
 Small = 11 LB
 Medium = 29 LB
 Large = 39 LB



MOUNTING





- Dimensional Data shows the end, top, side, and bottom views for all standard sizes.
- All weights are rounded up to the nearest 0.5 lb.

VIENTO AREA LUMINARE

VNT

ACCESSORIES (SOLD SEPARATELY)

<p>VNT-ASF <input type="text"/></p> <p>FINISH</p> <p>BZ Bronze WH White CC Custom Color</p>	<p>DESCRIPTION</p> <ul style="list-style-type: none">Adjustable Slip FitterMust select (ASF) in the order logic under the Options section.180° range of motion in 10° increments.EPA: 0.127 sq. ft. - 6.0 LBViento must not be tilted more than 20° when using ASF	
<p>VNT-RPA <input type="text"/></p> <p>FINISH</p> <p>BZ Bronze WH White CC Custom Color</p>	<p>DESCRIPTION</p> <ul style="list-style-type: none">Round Pole AdaptorAllows up to four Viento fixtures to be mounted to one pole.3" to 5" DiameterEPA: 0.03 sq. ft. - 0.75 LB	
<p>VNT-WB <input type="text"/></p> <p>FINISH</p> <p>BZ Bronze WH White CC Custom Color</p>	<p>DESCRIPTION</p> <ul style="list-style-type: none">Wall Bracket	
<p>VNT-TWB <input type="text"/></p> <p>FINISH</p> <p>BZ Bronze WH White CC Custom Color</p>	<p>DESCRIPTION</p> <ul style="list-style-type: none">Tenon Wall Bracket Horizontal Mount8" Square Plate - 2 3/8" ODMust be ordered with the Adjustable Slip Fitter (ASF) accessory.	

VIENTO AREA LUMINARE

VNT

ACCESSORIES (SOLD SEPARATELY)

VNT-SSA

FINISH	
BZ	Bronze
WH	White
CC	Custom Color

DESCRIPTION

- Sholder-to-Sholder Adaptor
- EPA: 0.90 sq. ft. - 27 LB



VNT-TMA

POLE	FINISH	SIZE	MOUNTING
S Square	BZ Bronze	4 4"	01 1 Fixture
R Round	WH White	5 5"	28 2 Fixtures at 180°
		6 6"	29 2 Fixtures at 90°
			39 3 Fixtures at 90°
			32 3 Fixtures at 180°
			49 4 Fixtures at 90°

DESCRIPTION

- Tenon Mount Adaptor
- Dimensions (S): 4"/5"/6"
- Dimensions (R): 4"/5" DIA
- EPA: 0.4 sq. ft. 10 - 16 LB
- VNT-TMAR includes Round Pole Adaptor (VNT-RPA) depending on mounting count.



VNT-UPM

POLE	FINISH
SQ Square	BZ Bronze
RD Round	WH White

DESCRIPTION

- Universal Pole Mount Adaptor



DIMMING CONTROL

MS5559	Scheduled Dimming, Standard Voltage
MS5560	Scheduled Dimming, High Voltage
MS5561	Constant All-Night Dimming, Standard Voltage
MS5562	Constant All-Night Dimming, High Voltage

DESCRIPTION

- Dimming Control
- Standard Voltage: 105-305 VAC
- High Voltage: 312-530 VAC
- Frequency: 50/60 Hz



SHORTING CAP

MS1827	Shorting Cap
---------------	--------------

DESCRIPTION

- Shorting Cap
- Shorting cap required if no other controls are being used in fixture receptacle.

PHOTOCELL STANDARD ON/OFF

MS0192	120/277
MS5088	480v