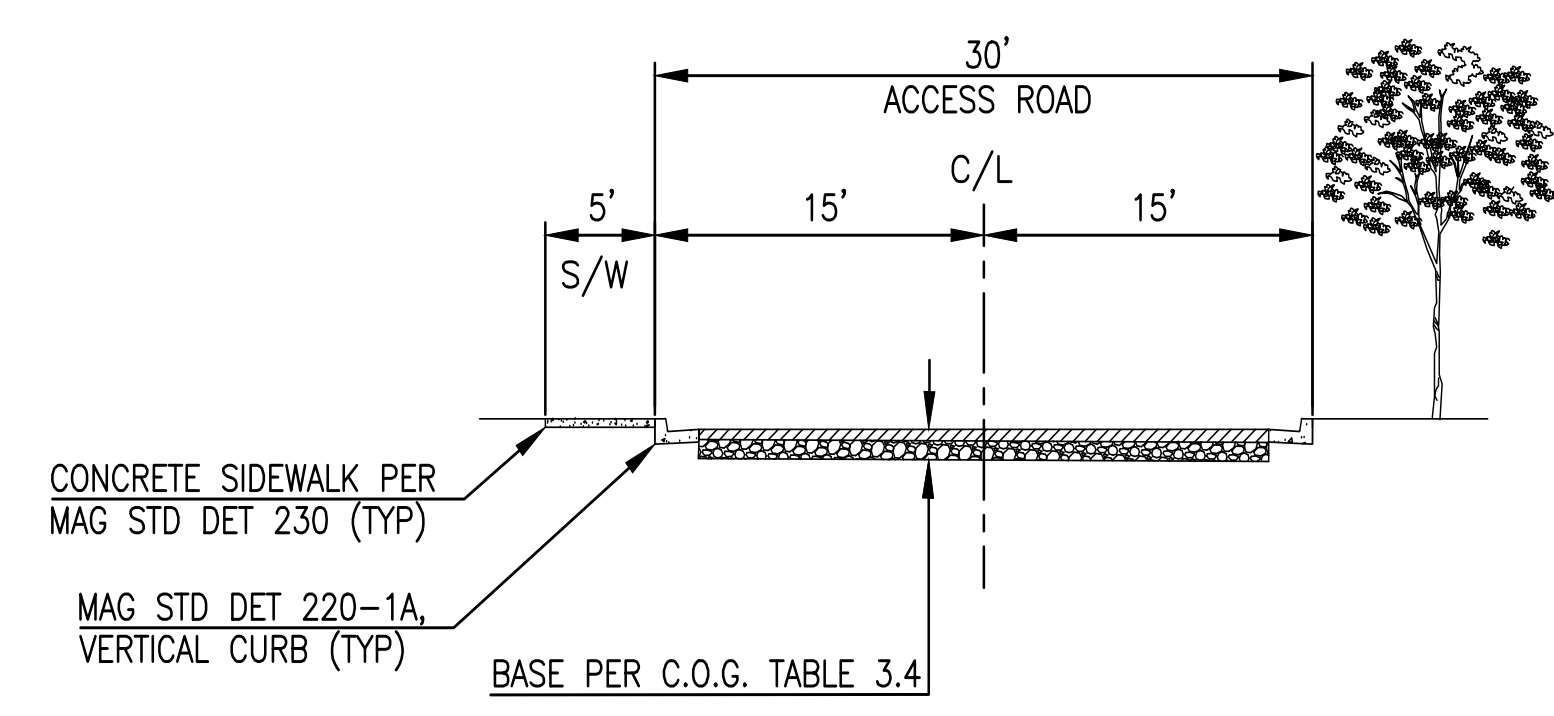
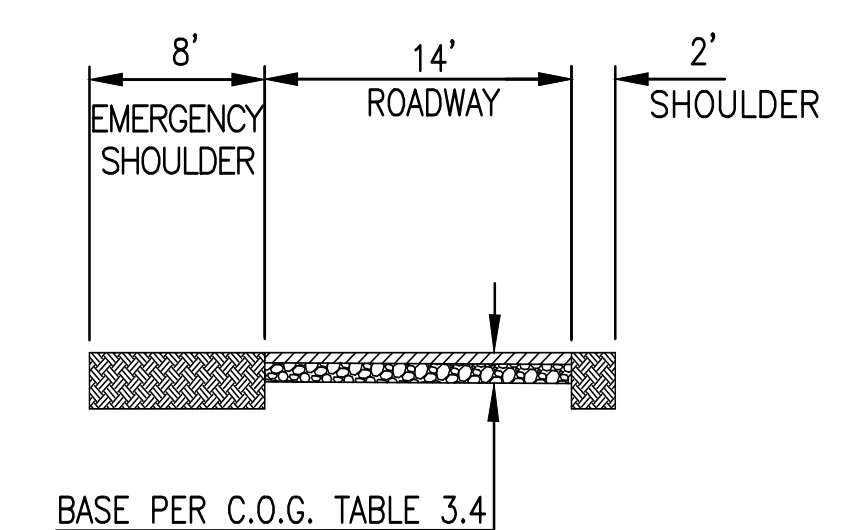


ADOT Access Control Area



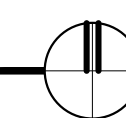
**SECTION A-A**  
LOOKING EAST  
NTS



**SECTION B-B**  
LOOKING EAST  
NTS



**SITE PLAN**  
SCALE: 1" = 80'-0"



CITY OF GLENDALE  
PROJECT NO. SR21-0082

PATH: C:\Users\Andrew\OneDrive\Documents\Projects\SR21-0082\SR21-0082\_Site\01-0103\_Site\_Plan.dwg  
 User: Andrew  
 Date: 11/11/2021 10:07:41 AM  
 Plot Date: 11/11/2021 10:07:41 AM  
 Plot Scale: 1" = 80'-0"  
 Plot Area: 11' x 11'  
 Plot Orientation: Landscape  
 Plot Color: Black  
 Plot Lineweight: 0.20  
 Plot Font: Arial, 10  
 Plot Title: SR21-0082\_Site\_Plan.dwg  
 Plot Date: 11/11/2021 10:07:41 AM  
 Plot User: Andrew