



Solid Waste Commercial Rate Discussion



Overview

- Background
 - Why We Provide Services
 - Types of Services
 - Current Customer Types
 - Rate History

- Financial Review
 - Cost Drivers
 - Proposed Rates



Why We Provide Services

- **Benefits Community**
 - Competitive Pricing
 - Options For Residential Customers
 - Maricopa County Health Compliance
- **City Required Commercial Service**
 - Multi Family Units, Townhomes, Condos, Mobile Home Parks
- **Internal City Services**
 - City Buildings and Parks
 - Special Projects/Events

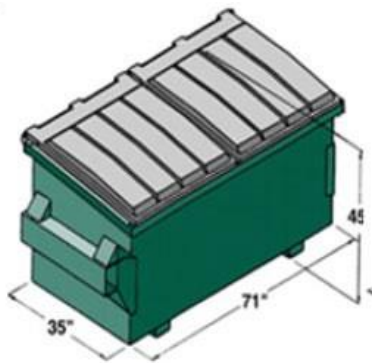


Front Load Service

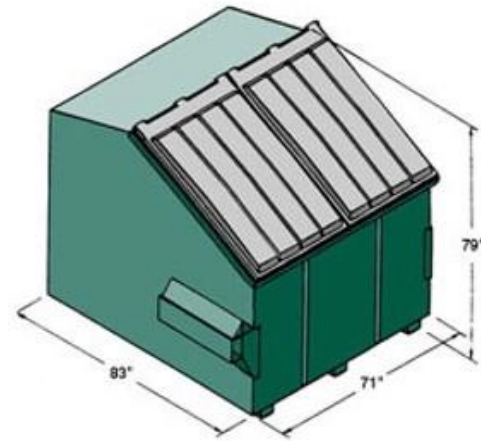




Front Load Bin Sizes & Service Days



2 Yard



8 Yard





Rate History – Front Load

- 2008 – Adjusted 10% on 2 & 3 cubic yard bins, 6% for 4, 6, 8 cubic yard bins
- 2019 – Rate review
- 2020 – Adjusted 10% all service and fees
- 2021 – Adjusted 2.5% all service and fees
- FY22 Rate Review



Roll Off Service





Roll Off Bin Sizes & Service Days



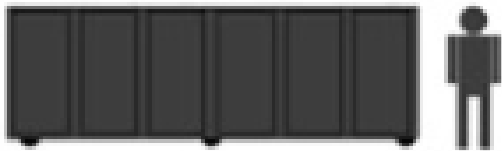
10 Yard Container

12 x 8 x 4.5 (L x W x H)



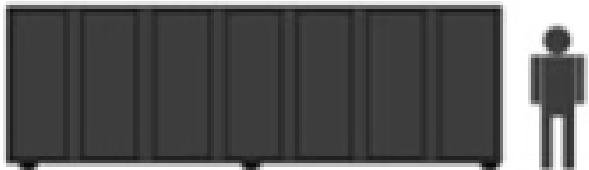
20 Yard Container

22 x 8 x 4.5 (L x W x H)



30 Yard Container

22 x 8 x 6 (L x W x H)



40 Yard Container

22 x 8 x 8 (L x W x H)



On Call Service



Rate History – Roll Off

- 2008 – Adjusted service rate from \$130 to \$160
- 2013 – Adjusted service rate from \$160 to \$175 and disposal fee tonnage rate from \$18 to \$20
- 2019 – Rate review
- 2020 – Adjusted service rate from \$175 to \$199.50 and disposal fee tonnage rate from \$20 to \$25.50
- 2021 – Adjusted service rate from \$199.95 to \$204.49 and disposal fee tonnage rate from \$25.50 to \$26.50
- FY22 - Rate Review



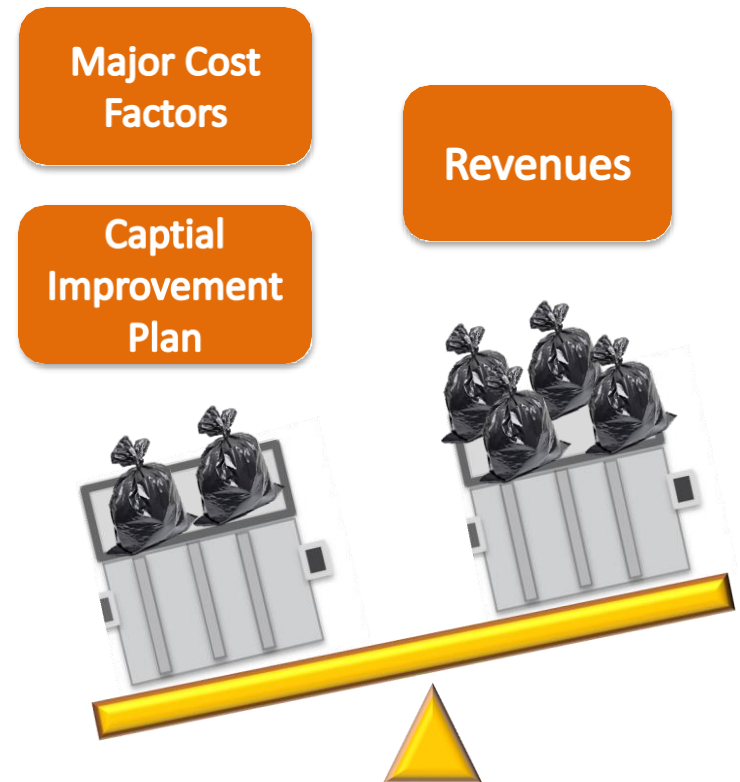
Potential Impact If Services Discontinued

- Internal (City)
- External (Businesses and Residents)



Current Rate Review

- Major Cost Factors
 - Salaries/Employee Costs
 - Landfill Costs
 - Equipment Costs
 - Insurance/Indirect Costs





Proposed Rates

Years	Front Load	Roll Off Fees	
		Pull Charge	Disposal Per Ton
2022	10%	\$225	\$29
2023	8%	\$240	\$30
2024	7%	\$250	\$31
2025	5%	\$260	\$32
2026	5%	\$270	\$33



Tentative Timeline

- Citizen Utility Advisory Committee review: January 2022
- City Council review: January 2022
- Post on City's website for 60 days:
 - Per Arizona Statue 9-499.15
- New rates effective: April 2022



Staff Recommendation

- 5 Year rate adjustments to be a cost recovering service that includes CIP expenses.