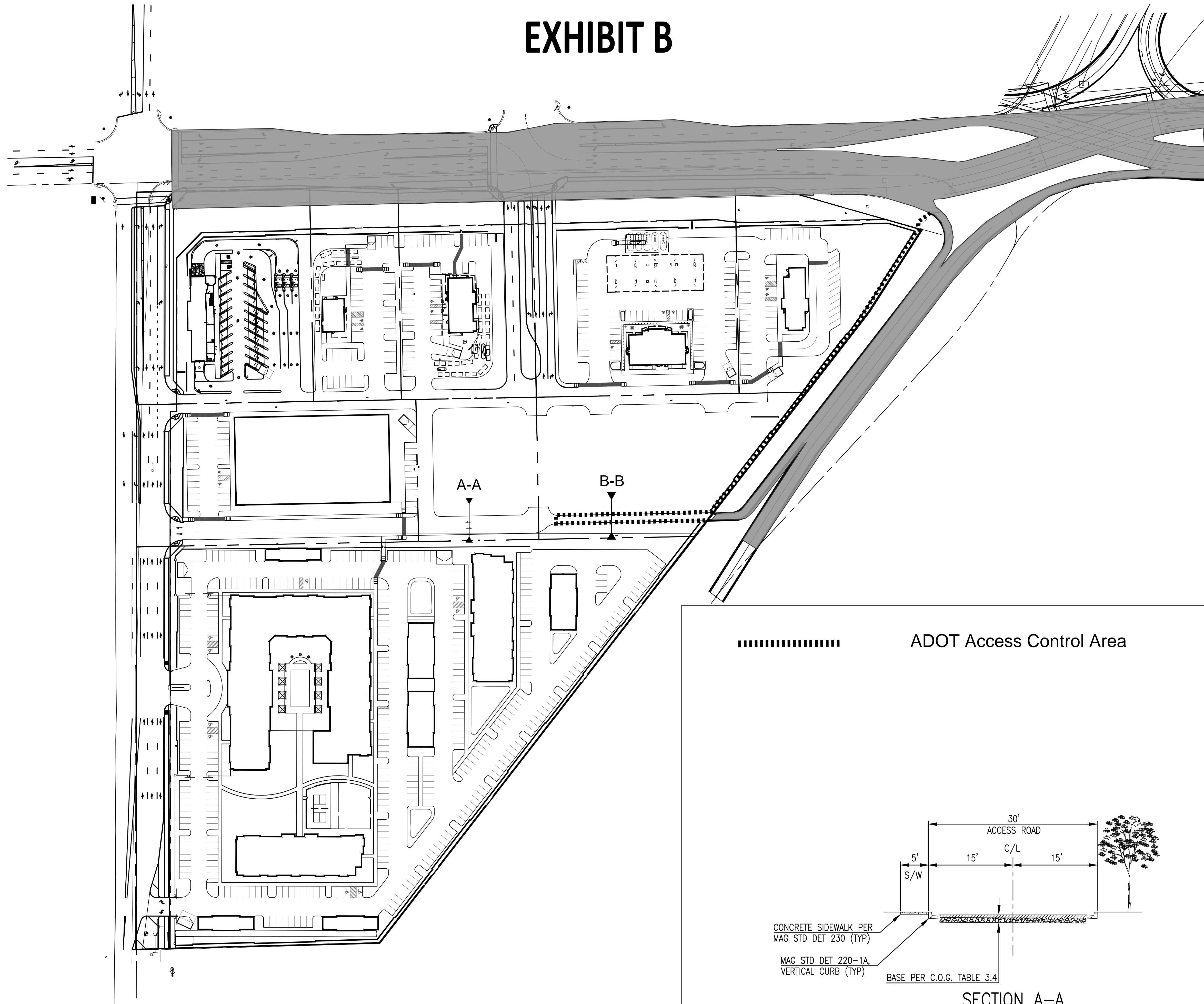
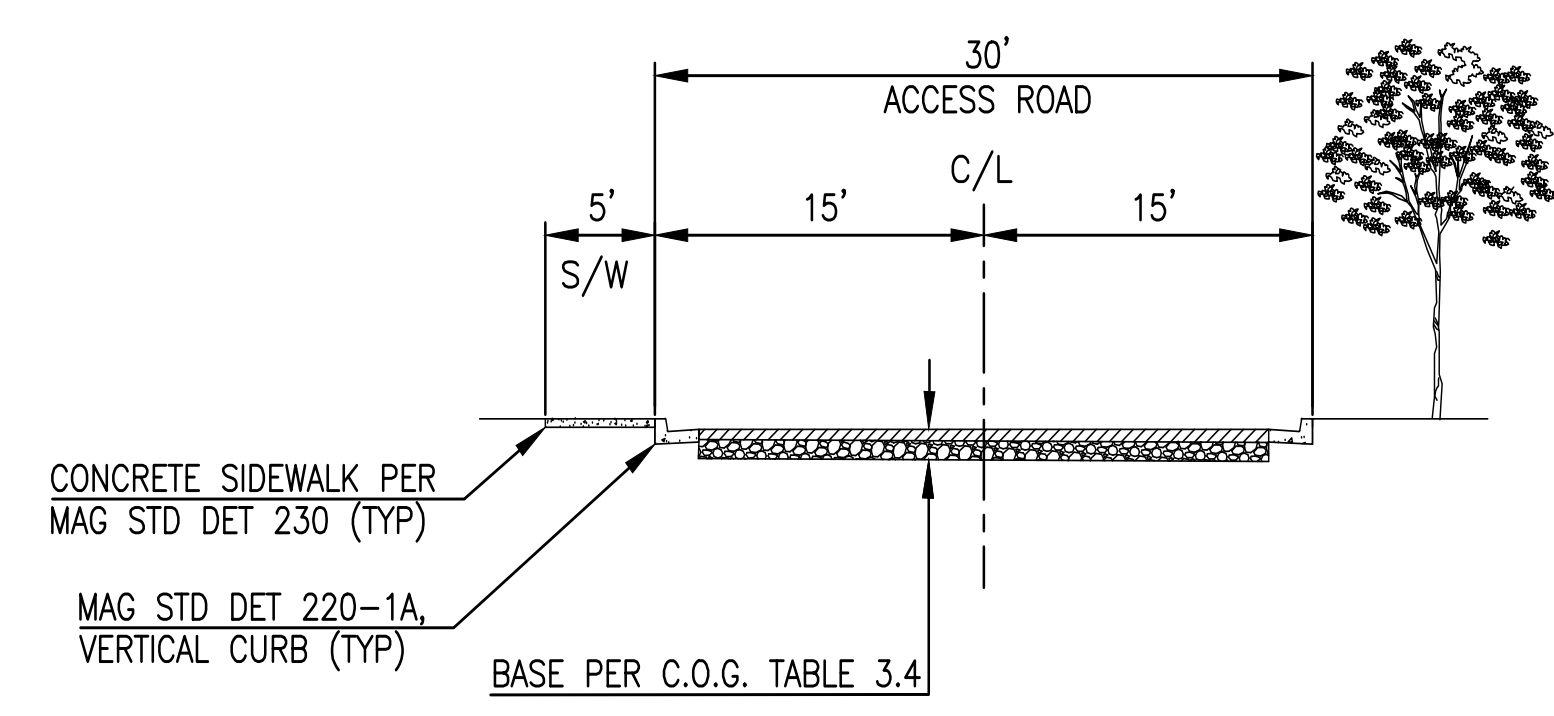


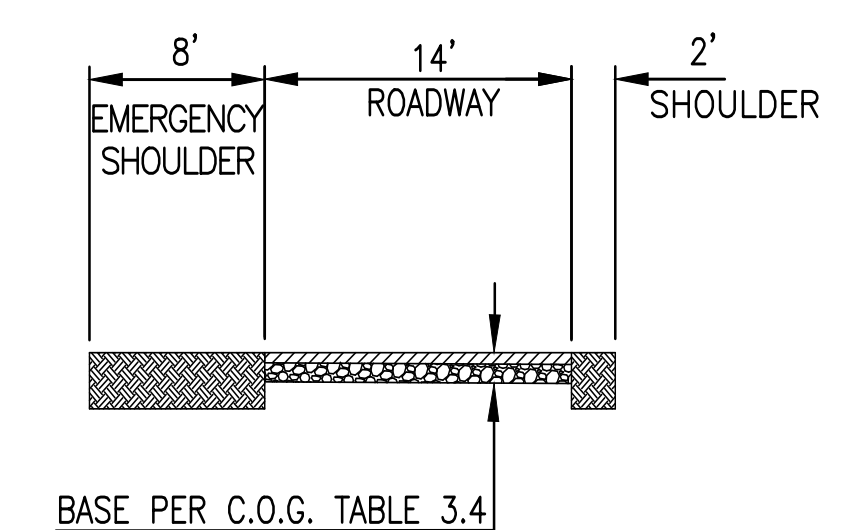
EXHIBIT B



ADOT Access Control Area



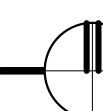
SECTION A-A
LOOKING EAST
NTS



SECTION B-B
LOOKING EAST
NTS



SITE PLAN
SCALE: 1" = 80'-0"



CITY OF GLENDALE
PROJECT NO. SR21-0082

PATH: C:\Users\Andrew\AppData\Local\Temp\AutoCAD\2021\2107\1\TGS\PH\3_Northam\03_REV\02_CAD\04_SHEETS\01_01_P103_SITE PLAN.dwg
 User: Andrew
 Date: 9/20/21
 Time: 10:07:41
 Plot: 9/20/21
 Plotter: HP DesignJet T1100e
 Plot Style: HP-Plotter.ctb
 Scale: 1"=80'-0"
 Sheet: 1 of 1
 Title: SITE PLAN