

# URBAN COUNTY PROGRAM

## Hidalgo County Commissioners' Court Agenda Request Form

No. \_\_\_\_\_

Date: February 26, 2007

Meeting Date Request: March 6, 2007

Deadline for Action: March 6, 2007

Contact Person: Diana R. Serna

Department: Urban County Program

Phone: (956) 787-8127 Fax: (956) 787-5291

Diana R. Serna, Urban County Director 

### **Caption:**

The City of Elsa requests approval of change order no. 1 to Lambda Construction I, LTD in the amount of \$121,520.00 in order to comply with TCEQ requirements utilizing Urban County funding from Water / Sewer Improvements Year 2001 / 2002 / 2003 / 2004 & 2005.

### **Background:**

Approval of change order no. 1 to Lambda Construction I, LTD in the amount of \$121,520.00 for the continuation of improvements to the City of Elsa Water Plant in order to comply with TCEQ requirements. The amount of the change order is \$121,520.00 with the work to be completed by July 30, 2007.

Original Contract Amount:	\$515,000.00
Change Order Amount:	\$121,520.00
New Contract Amount:	\$636,520.00

### Available Funds:

Water / Sewer Improvements	2001	\$ 23,258.89
	2002	\$ 10,977.47
	2003	\$ 19,827.77
	2004	\$ 65,225.00
	2005	\$351,222.68

Approval is recommended by the City of Elsa and UCP Staff.

CDBG Manager  Deputy Dir. \_\_\_\_\_ Finance 

### **Please initial for approval:**

Legal Counsel _____	Budget _____	Human Resources _____
Dept./Fund No: _____	Amt. Expended: \$ _____	Funds/Staffing Budgeted: Yes ____ No ____
Account Code: _____	Impact on Future Budget: Yes ____ No ____	

### **Comments:**

### **Action taken by Commissioner's Court:**

Approved \_\_\_\_\_ Tabled \_\_\_\_\_ Denied \_\_\_\_\_ Motion made by \_\_\_\_\_ Seconded \_\_\_\_\_ Vote



# CITY OF ELSA

February 22, 2007

To Whom It May Concern:

As required, I am sending you a complete and certified excerpt from the minutes of February 20, 2007, a Regular Meeting of the Board of Aldermen of the City of Elsa, 7:00 P.M.

## ITEM VII. NEW BUSINESS

ITEM A. CONSIDERATION AND ACTION, IF ANY, ON APPROVAL OF CHANGE ORDER #1 FROM LAMBDA CONSTRUCTION FOR CITY OF ELSA WATER AND SEWER PROJECT WATER PLANT FILTER BUILDING. (5002-25-0310-5000-2500)

A motion to approve Change Order #1 as presented, was made by Mayor Pro-Tem Javier Guerrero, seconded by Commissioner Joe Alvarado. Motion carried.

I, Maria Hilda Ayala, City Secretary, certify that this is a complete and correct excerpt of the minutes of February 20, 2007.

*Maria H. Ayala*  
 \_\_\_\_\_  
 Maria Hilda Ayala  
 City Secretary

*2-22-07*  
 \_\_\_\_\_  
 Date

FEB 23 2007

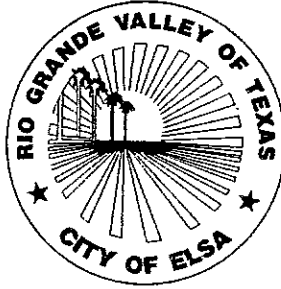
P.O. BOX 427

ELSA, TEXAS 78543

PHONE (956) 262-2127

FAX (956) 262-5002

The City of Elsa is an Equal Opportunity Employer and does not discriminate on the basis of race, color, national origin, sex, religion, age or disability in employment or the provision of services.



## CITY OF ELSA

February 22, 2007

Linda Sandoval, Coordinator  
Hidalgo Urban County Program  
1916 Tesoro Blvd.  
Pharr, Texas 78577

RE: Change Order # 1 / Lambda Construction

Dear Linda Sandoval:

Enclosed please find the three (3) original sets of Change Order #1 from Lambda Construction ready for approval by County Commissioners Court on earliest meeting date. Upon approval, please forward to Mr. Simmons from Lambda Construction in order for construction to proceed.

Please let me know if you should need additional information or documentation.

Sincerely,

Maria Hilda Ayala  
City Secretary/Acting City Manager

2  
RECEIVED  
FEB 22 2007  
HIDALGO  
COUNTY  
CLERK  
*aw*

P.O. BOX 427

ELSA, TEXAS 78543

PHONE (956) 262-2127

FAX (956) 262-5002

The City of Elsa is an Equal Opportunity Employer and does not discriminate on the basis of race, color, national origin, sex, religion, age or disability in employment or the provision of services.

**HIDALGO COUNTY  
URBAN COUNTY PROGRAM  
UCP CONTRACT CHANGE ORDER REQUEST**

CITY/PCT. <u>City of Elsa/Hidalgo County</u> (Address) <u>1916 Tesoro Boulevard</u>  <u>Pharr, Texas 78577</u>	DATE <u>February 1, 2007</u>  CHANGE ORDER NO. <u>1</u>
CONTRACTOR/FIRM (Name & Address) <u>Lambda Construction I, Ltd.</u> <u>211 Jesse's Circle, New Braunfels, Texas 78132</u>  Phone #: <u>(830) 629-5808</u>	PROJECT/NAME/ACCT. NO. <u>City of Elsa Year 15 Water and Sewer Project Water Plant Filter Building</u> <u>5002-25-0310-5000-2500</u>
You are hereby requested to comply with the following changes from the contract plans and specifications:	

X

Final Quantitative Adjustments

Unit Prices

Quantitative Addition

X

Quantitative Deletion

Time Extension

Other

Reasons:  
Additional work requested by the City of Elsa to comply with state regulations (TCEQ) on the water plant.  
Substantial completion for the above mentioned project should be completed by July 30, 2007.

Reference Lambda Revised CO Proposal dated January 30, 2007 & Cleary Engineering Drawing Revisions dated April 6, 2006.

Contract price prior to change order . . . . . \$ \$515,000.00

Net Increase/Decrease of this Change Order . . . . . \$ \$121,520.00

Contract Price with Change Order . . . . . \$ \$636,520.00

Increase/Decrease in time 842 days.

FEB 22 2007  
aw

HIDALGO COUNTY  
URBAN COUNTY PROGRAM  
**UCP CONTRACT CHANGE ORDER REQUEST**

*[Signature]* 2/20/07  
CITY/PCT. OFFICIAL DATE

*[Signature]* 2-01-07  
CONTRACTOR DATE

*[Signature]* 2/5/07  
PROJECT ENGINEER - ARCHITECT DATE

(FOR URBAN COUNTY PROGRAM USE ONLY)

- |  |   |
|--|---|
| <input type="checkbox"/> Scope Increase                | <input type="checkbox"/> Quantitative Addition/Deletion |
| <input type="checkbox"/> Scope Decrease                | <input type="checkbox"/> Final Quantitative Adjustment  |
| <input type="checkbox"/> L/M Beneficiary Change/Impact | <input type="checkbox"/> Other                          |
| <input type="checkbox"/> Environmental Impact          |   |
| <input type="checkbox"/> Approved                      | <input type="checkbox"/> Disapproved                    |

Signature: \_\_\_\_\_ Date: \_\_\_\_\_

Title: Urban County Director



**LAMBDA CONSTRUCTION I, LTD.**

211 JESSE'S CIRCLE  
NEW BRAUNFELS, TEXAS 78132-4857  
(830) 629-5808  
(830) 629-1507 FAX

January 30, 2007

Urban County Program  
1916 Tesoro Boulevard  
Pharr, Texas 78577

Attn: Linda Sandoval

Re: City of Elsa – Year 15 Water and Sewer Project  
Water Plant Filter Building – Revised Change Order Proposal per Cleary Engineering Dwgs

Dear Ms. Sandoval:

Per your request of January 24, 2007, please see the following revised Change Order Proposal, per Cleary Engineering Drawing Revisions dated April 6, 2006, as follows:

All Conduit, Wire & Supports per Revised Drawings E3, E4A, E6, E6A, E7 and E8  
Pump Control Panel in Nema 4 Painted Steel Enclosure with HOA's, PTT Run Lights, Terminal Blocks  
Relocation of Turbidity Rack to the Control Room on top of the Filters.  
Upgrade of 4 Turbidity Meters complete with Sample Pumps, DP Transmitters, & Remote Displays  
Additional Sample Piping for Turbidity Meters  
Retrofit of 4 Filter Effluent Valves with Valve Positioners including Mounting Hardware, Air Lines, etc.  
Modifications to SCADA System to Include:

Item #1 – Drawing E3 – Console Layout – Refer to O&M Drawing 25 of 25 Filter Console Layout – It is our intention to remove the items labeled #18 and replace with Honeywell Controller same as item labeled #20.

Item #2 – Drawing E4A – Change to Modulating Effluent Valves.

Item #3 – Drawing E6 – Four Honeywell Controllers configured to receive set point from SCADA System. Controllers will modulate Effluent Valves based on Flow Set Point entered from the SCADA Computer. Valves will only be modulated if the Valve is selected for Auto operation from the SCADA computer.

Wiring and Switches for existing Open-Close-Auto selector switches will not be functional as there will not be a solenoid to operate. Auto-Manual controls will be on the Honeywell Controller similar to the Backwash Flow Controller.

One Analog Output Module will be added to provide set point information to the Honeywell Controller.

In addition, the Filter Control PLC will be modified to send Start-Stop signals to "Pumps Control Panel" for the Raw Water Pumps. Raw Water Pumps to be controlled based on Clearwell Level. Pumps will be alternated when Clearwell Level is satisfied. No provision is included to display this information on the SCADA Computer. Set Points will be entered from the Operator Interface located on the Filter Console.

We have included One Additional Day of Operator Training for the above modifications. Raw Water Pumps set points will be adjustable from the Operator Interface located in the Filter Console and the computer/HMI.

No control loop descriptions were provided for the changes to Filter Effluent Valves. These Valves will operate the same as previous, except when a valve is required, it will modulate to maintain the flow set point set by the controller. The set point can be adjusted from the Operator Interface at the Filter Console or the Computer/HMI.

No other information or changes are included to the computer/HMI, i.e. Pump Status, fails, etc.

(continued page 2).

January 30, 2007

Proposal Pricing is as follows (including only the work described above):

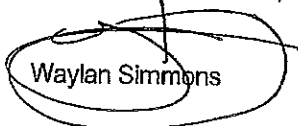
Total Lump Sum for the above-described work.....	\$127,020.00
Less Credit for Filter Control Panel Concrete Housekeeping Pad..... (Pay Estimate Item #1-301) which was not required/installed)	<\$5,500.00>
Net Change Order Proposal.....	\$121,520.00

This added work can be completed within 150 calendar days of our receipt of an executed Change Order. The above pricing is valid until February 28, 2007.

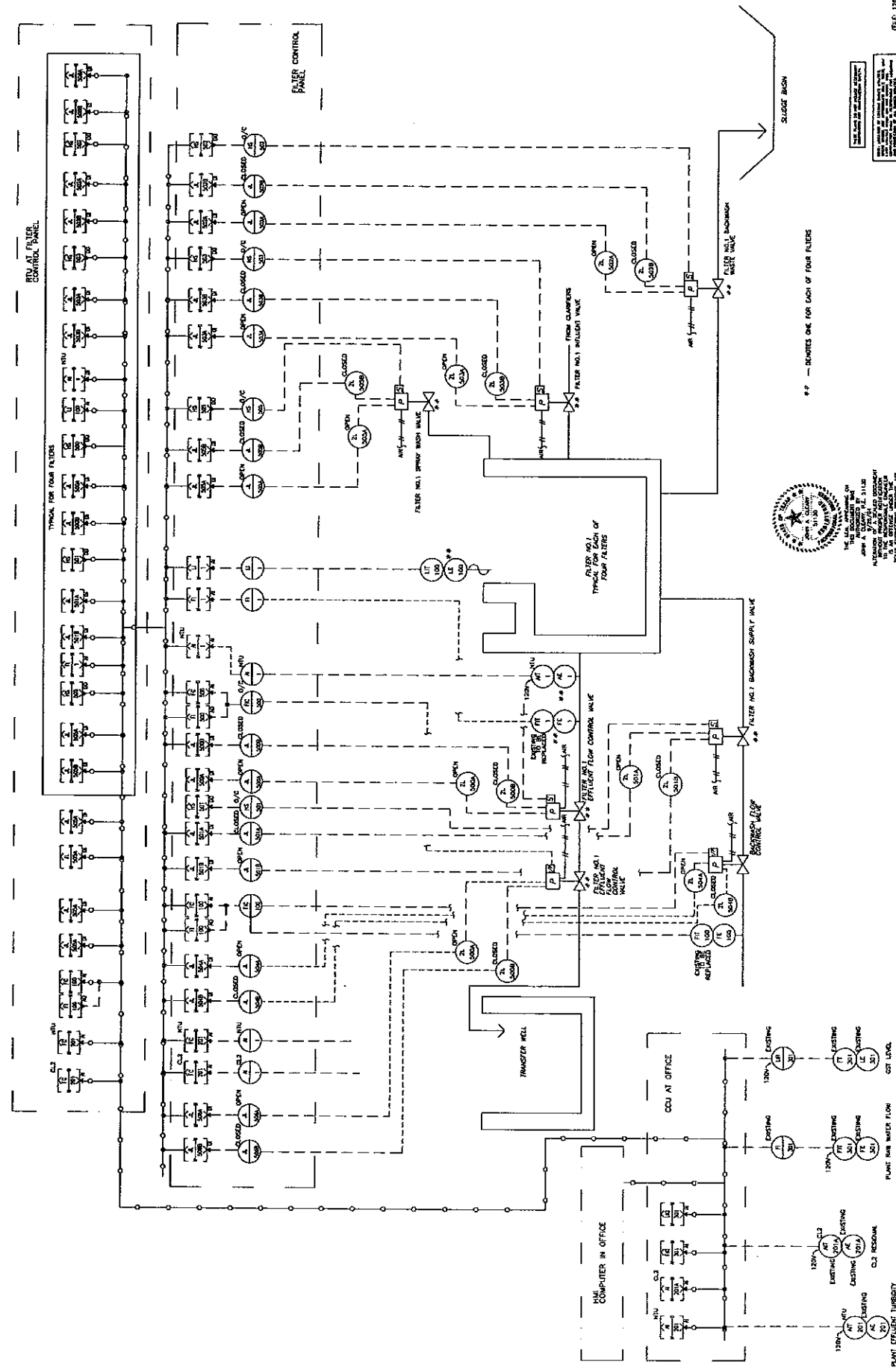
Please note that a condition of this proposal is for Contract Retainage to remain at its currently reduced rate of 1%.

Should you have any questions, or require any additional information regarding these matters, please do not hesitate to contact our New Braunfels office.

Sincerely,  
Lambda Construction I, Ltd.

  
Waylan Simmons





(FILE 1700-EX-14-00)

**E4A XX**

**J.E. SAENZ & ASSOCIATES, INC.**  
 P.O. BOX 3283  
 EUBANK, TEXAS 78540  
 TEL (956) 383-2984  
 FAX (956) 383-3738  
 ENG 99033

**INSTRUMENTATION P&ID DIAGRAMS**  
**WATER TREATMENT PLANT**  
**IMPROVEMENTS - 2003**  
**ELSA, TEXAS**

REV	DATE	BY	CHK
1	10/25/03	AS	MS
2			
3			
4			
5			
6			
7			
8			
9			
10			

THIS PLAN IS THE PROPERTY OF J.E. SAENZ & ASSOCIATES, INC. IT IS TO BE USED ONLY FOR THE PROJECT AND SITE SPECIFICALLY IDENTIFIED HEREON. IT IS NOT TO BE REPRODUCED, COPIED, OR TRANSMITTED IN ANY FORM OR BY ANY MEANS, ELECTRONIC OR MECHANICAL, INCLUDING PHOTOCOPYING, RECORDING, OR BY ANY INFORMATION STORAGE AND RETRIEVAL SYSTEM.

THE COMPANY IS NOT RESPONSIBLE FOR THE ACCURACY OF THE INFORMATION PROVIDED BY THE CLIENT OR FOR THE CONSEQUENCES OF ANY OMISSIONS OR ERRORS. THE COMPANY'S LIABILITY IS LIMITED TO THE DESIGN AND CONSTRUCTION OF THE INSTRUMENTATION SYSTEM.

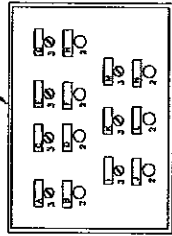


\*\* - REMOTES ONE FOR EACH OF FOUR FILTERS

NO.	REVISION	DATE
1	AS	10/25/03
2		
3		
4		
5		
6		
7		
8		
9		
10		

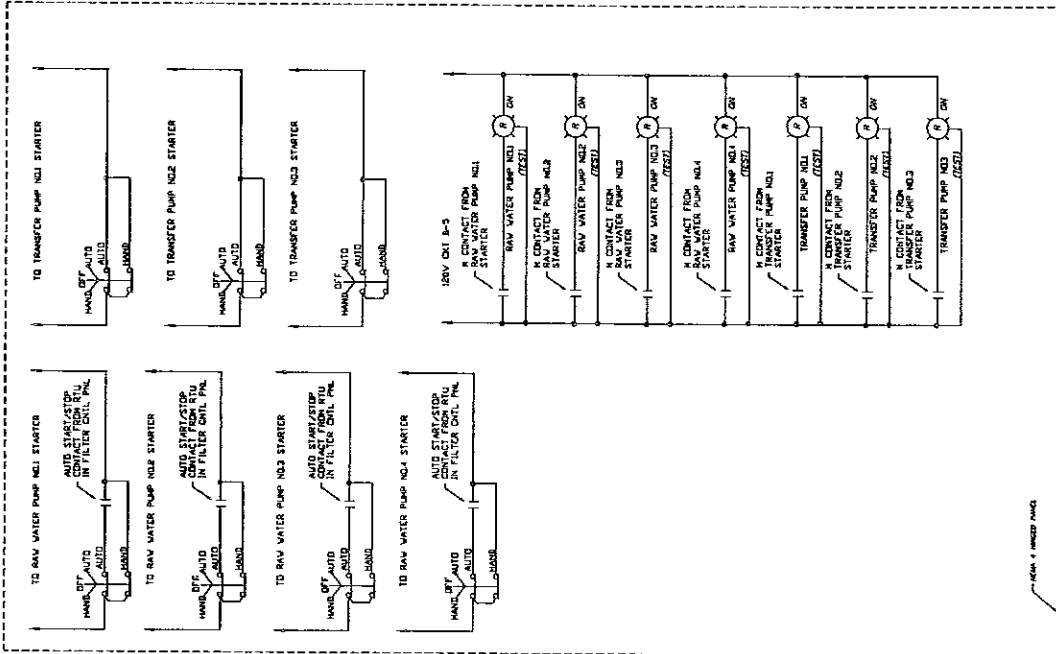


MARK	DESCRIPTION	SIZE
A	RAW WATER PUMP NO. 1	3/8"
B	RAW WATER PUMP NO. 2	3/8"
C	RAW WATER PUMP NO. 3	3/8"
D	RAW WATER PUMP NO. 4	3/8"
E	RAW WATER PUMP NO. 5	3/8"
F	RAW WATER PUMP NO. 6	3/8"
G	RAW WATER PUMP NO. 7	3/8"
H	RAW WATER PUMP NO. 8	3/8"
I	TRANSFER PUMP NO. 1	3/8"
J	TRANSFER PUMP NO. 2	3/8"
K	TRANSFER PUMP NO. 3	3/8"
L	TRANSFER PUMP NO. 4	3/8"
M	TRANSFER PUMP NO. 5	3/8"
N	TRANSFER PUMP NO. 6	3/8"

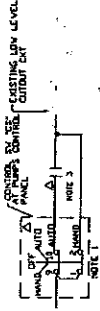


MARK	DESCRIPTION	SIZE
A	RAW WATER PUMP NO. 1	3/8"
B	RAW WATER PUMP NO. 2	3/8"
C	RAW WATER PUMP NO. 3	3/8"
D	RAW WATER PUMP NO. 4	3/8"
E	RAW WATER PUMP NO. 5	3/8"
F	RAW WATER PUMP NO. 6	3/8"
G	RAW WATER PUMP NO. 7	3/8"
H	RAW WATER PUMP NO. 8	3/8"
I	TRANSFER PUMP NO. 1	3/8"
J	TRANSFER PUMP NO. 2	3/8"
K	TRANSFER PUMP NO. 3	3/8"
L	TRANSFER PUMP NO. 4	3/8"
M	TRANSFER PUMP NO. 5	3/8"
N	TRANSFER PUMP NO. 6	3/8"

PUMPS CONTROL PANEL



PUMPS CONTROL PANEL

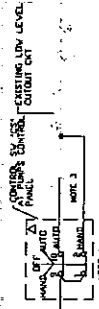


NOTE 1  
PUMPS CONTROL PANEL  
RAW WATER PUMP NO. 1 STARTER

Δ - REMOTE DEVICE REMOTE FROM MOTOR CONTROLLER

- NOTES:
1. EXTEND EXISTING OUT FROM OLD MAIN CONTROL PANEL TO NEW PUMPS CONTROL PANEL AS REFER.
  2. STARTER IS EXISTING FULL VOLTAGE NON-REVERSING
  3. EXISTING FLUID CONTROL OUT FROM PUMPS CONTROL PANEL.
  4. WIRING AND DEVICES SHOWN IN CIRCLES ARE EXISTING

- RAW WATER PUMPS  
- RAW WATER



NOTE 1  
PUMPS CONTROL PANEL  
RAW WATER PUMP NO. 1 STARTER

Δ - REMOTE DEVICE REMOTE FROM MOTOR CONTROLLER

- NOTES:
1. PUMPS EXISTING OUT FROM OLD MAIN CONTROL PANEL TO NEW PUMPS CONTROL PANEL AS REFER.
  2. STARTER IS EXISTING FULL VOLTAGE NON-REVERSING
  3. EXISTING FLUID CONTROL OUT FROM PUMPS CONTROL PANEL.
  4. WIRING AND DEVICES SHOWN IN CIRCLES ARE EXISTING

- RAW WATER PUMPS  
- RAW WATER



THE STATE OF TEXAS  
COUNTY OF DALLAS  
J. E. SAENZ & ASSOCIATES, INC.  
REGISTERED PROFESSIONAL ENGINEER  
NO. 10,000  
LIVE OAK BOULEVARD, SUITE 100  
DALLAS, TEXAS 75244

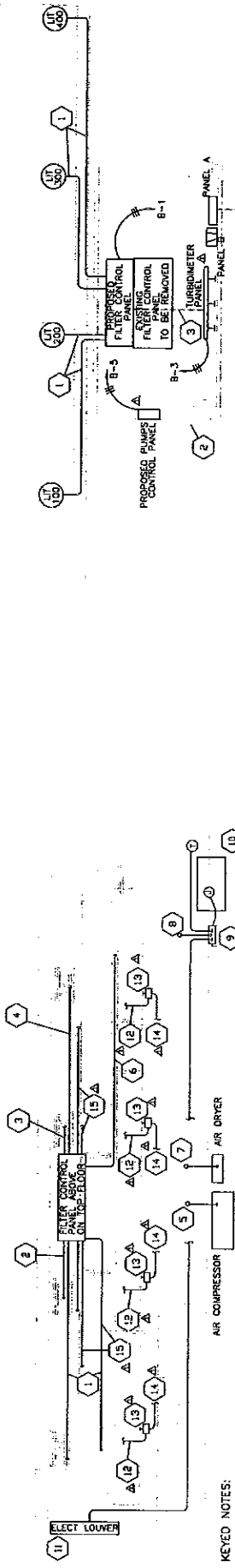
FILE 1245-1584 4-8-93

J.E. SAENZ & ASSOCIATES, INC.  
P.O. BOX 3233  
DUNN, TEXAS 78640  
TEL. (936) 383-2984  
FAX (936) 383-3736  
ENG 5903.3

SCHEMATIC WIRING DIAGRAM SHEET NO.2  
WATER TREATMENT PLANT  
IMPROVEMENTS - 2003  
ELSA, TEXAS

DATE	BY
10/24/03	JAC
10/24/03	JAC
10/24/03	JAC
10/24/03	JAC

NO.	DATE	BY
1	10/24/03	JAC
2	10/24/03	JAC
3	10/24/03	JAC
4	10/24/03	JAC



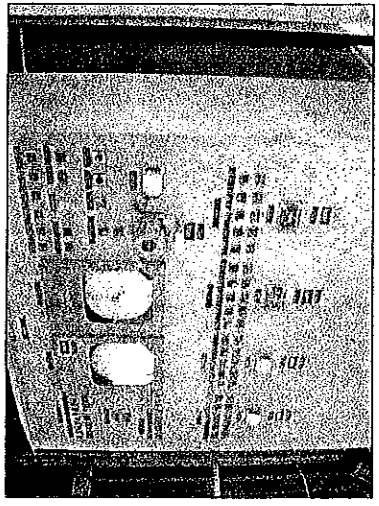
KEYED NOTES:

- 1 FILTER NO. 1
- 2 FILTER NO. 2
- 3 FILTER NO. 3
- 4 FILTER NO. 4
- 5 3/4" C-3/10.17/106CCT A-1.3.5
- 6 3/4" C-4/12/BACKWASH FLOW CONTROL VALVE OPEN/CLOSE INDICATIONS TO FILTER CONTROL PANEL
- 7 3/4" C-2/10.17/106CCT B-3

- 3/4" C-4/12/SPRAY WASH VALVE OPEN/CLOSE INDICATIONS TO FILTER CONTROL PANEL
- 3/4" C-2/10.17/106CCT WASH VALVE SOLENOID TO FILTER CONTROL PANEL
- 3/4" C-2/10.17/106CCT WASH VALVE SOLENOID TO FILTER CONTROL PANEL
- 3/4" C-4/12/EFFLUENT VALVE OPEN/CLOSE INDICATIONS TO FILTER CONTROL PANEL
- 3/4" C-2/10.17/106CCT EFFLUENT VALVE SOLENOID TO FILTER CONTROL PANEL
- 3/4" C-2/10.17/106CCT EFFLUENT VALVE SOLENOID TO FILTER CONTROL PANEL
- 3/4" C-4/12/BACKWASH WASTE VALVE OPEN/CLOSE INDICATIONS TO FILTER CONTROL PANEL
- 3/4" C-2/10.17/106CCT BACKWASH WASTE VALVE SOLENOID TO FILTER CONTROL PANEL
- 3/4" C-2/10.17/106CCT BACKWASH WASTE VALVE SOLENOID TO FILTER CONTROL PANEL
- 3/4" C-4/12/SPRAY WASH VALVE OPEN/CLOSE INDICATIONS TO FILTER CONTROL PANEL
- 3/4" C-2/10.17/106CCT WASH VALVE SOLENOID TO FILTER CONTROL PANEL
- 3/4" C-2/10.17/106CCT WASH VALVE SOLENOID TO FILTER CONTROL PANEL
- 3/4" C-4/12/EFFLUENT VALVE OPEN/CLOSE INDICATIONS TO FILTER CONTROL PANEL
- 3/4" C-2/10.17/106CCT EFFLUENT VALVE SOLENOID TO FILTER CONTROL PANEL
- 3/4" C-2/10.17/106CCT EFFLUENT VALVE SOLENOID TO FILTER CONTROL PANEL
- 3/4" C-4/12/BACKWASH WASTE VALVE OPEN/CLOSE INDICATIONS TO FILTER CONTROL PANEL
- 3/4" C-2/10.17/106CCT BACKWASH WASTE VALVE SOLENOID TO FILTER CONTROL PANEL
- 3/4" C-2/10.17/106CCT BACKWASH WASTE VALVE SOLENOID TO FILTER CONTROL PANEL
- 3/4" C-4/12/SPRAY WASH VALVE OPEN/CLOSE INDICATIONS TO FILTER CONTROL PANEL
- 3/4" C-2/10.17/106CCT WASH VALVE SOLENOID TO FILTER CONTROL PANEL
- 3/4" C-2/10.17/106CCT WASH VALVE SOLENOID TO FILTER CONTROL PANEL
- 3/4" C-4/12/EFFLUENT VALVE OPEN/CLOSE INDICATIONS TO FILTER CONTROL PANEL
- 3/4" C-2/10.17/106CCT EFFLUENT VALVE SOLENOID TO FILTER CONTROL PANEL
- 3/4" C-2/10.17/106CCT EFFLUENT VALVE SOLENOID TO FILTER CONTROL PANEL
- 3/4" C-4/12/BACKWASH WASTE VALVE OPEN/CLOSE INDICATIONS TO FILTER CONTROL PANEL
- 3/4" C-2/10.17/106CCT BACKWASH WASTE VALVE SOLENOID TO FILTER CONTROL PANEL
- 3/4" C-2/10.17/106CCT BACKWASH WASTE VALVE SOLENOID TO FILTER CONTROL PANEL

GENERAL NOTES:  
 1. CONTRACTOR TO VERIFY EXACT LOCATION OF ALL PROPOSED NEW EQUIPMENT  
 2. INSTALL EFFLUENT FLOWMETERS AND BACKWASH FLOWMETER WITH PROPER UPSTREAM AND DOWNSTREAM CLEARANCES IN PIPING AS RECD BY FLOWMETER VENDOR

EXISTING FILTER CONTROL PANEL TO BE REMOVED  
 SCALE: 1/4" = 1'-0"



EXISTING FILTER CONTROL PANEL TO BE REMOVED  
 SCALE: 1/4" = 1'-0"

KEYED NOTES:

- 1 3/4" C-1 PAIR SHIELDED INST CABLE/FILTER LEVEL SIGNAL TO FILTER CONTROL PANEL
- 2 3/4" C-3/10.17/106CCT AIRM POWER HOMERUN TO NEAREST 120V PANELBOARD
- 3 EXISTING WOOD FRAME BUDG
- 4 1" C-4-1 PAIR SHIELDED INST CABLE/FILTER TURBIDITY SIGNALS TO FILTER CONTROL PANEL
- 5 INSTALL CONDUITS BELOW EXISTING FLOOR

GENERAL NOTE:  
 CONTRACTOR TO COORDINATE ALL OUTAGES W/OWNER'S REPRESENTATIVE

EXISTING OPERATING FLOOR AREA ELECTRICAL PLAN  
 SCALE: 1/4" = 1'-0"

- 8 3/4" C-3/10.17/106CCT A-9.8.1.10
- 9 NEMA SIZE 1 FAN COMBINATION MOTOR STARTER IN NEARBY ENCL (PAN EP-1)
- 10 EXHAUST FAN EP-1 COOL PROPELLER WALL FAN MODEL 36W4L PROVIDE W/WALL COLLAR OSHA PRE-CURVED WEATHERHEAD MOTORIZED DAMPER EPoxy COAT ALL SURFACES EXPOSED TO AN STRONG CORROSIVE LOCATION W/OWNER'S REPRESENTATIVE
- 11 48" X 30" LOWER RUSHIN ELEVATED (COLLEGE DRAMABLE) WITH 120V MOTORIZED DAMPER DAMPER TO BE INTER-LOCKED WITH EXHAUST FAN EP-1 COORDINATE LOCATION WITH OWNER'S REPRESENTATIVE
- 12 3/4" C- FLOWMETER SIGNAL CABLE FROM FLOWMETER TO FILTER CONTROL PANEL EFFLUENT FLOW CONTROLLER
- 13 EFFLUENT FLOW REMOVE REAROUTS/UPPLED W/METERS FLOOR SUPPORTED (TO BE REMOVED)
- 14 3/4" C-1 PAIR SHIELDED INST CABLE/EFFLUENT FLOW SIGNAL TO FILTER CONTROL PANEL
- 15 3/4" C-4/12/EFFLUENT FLOW CONTROL VALVE OPEN/CLOSE INDICATIONS TO FILTER CONTROL PANEL

- 3/4" C-4/12/SPRAY WASH VALVE OPEN/CLOSE INDICATIONS TO FILTER CONTROL PANEL
- 3/4" C-2/10.17/106CCT WASH VALVE SOLENOID TO FILTER CONTROL PANEL
- 3/4" C-2/10.17/106CCT WASH VALVE SOLENOID TO FILTER CONTROL PANEL
- 3/4" C-4/12/EFFLUENT VALVE OPEN/CLOSE INDICATIONS TO FILTER CONTROL PANEL
- 3/4" C-2/10.17/106CCT EFFLUENT VALVE SOLENOID TO FILTER CONTROL PANEL
- 3/4" C-2/10.17/106CCT EFFLUENT VALVE SOLENOID TO FILTER CONTROL PANEL
- 3/4" C-4/12/BACKWASH WASTE VALVE OPEN/CLOSE INDICATIONS TO FILTER CONTROL PANEL
- 3/4" C-2/10.17/106CCT BACKWASH WASTE VALVE SOLENOID TO FILTER CONTROL PANEL
- 3/4" C-2/10.17/106CCT BACKWASH WASTE VALVE SOLENOID TO FILTER CONTROL PANEL

- 3/4" C-4/12/SPRAY WASH VALVE OPEN/CLOSE INDICATIONS TO FILTER CONTROL PANEL
- 3/4" C-2/10.17/106CCT WASH VALVE SOLENOID TO FILTER CONTROL PANEL
- 3/4" C-2/10.17/106CCT WASH VALVE SOLENOID TO FILTER CONTROL PANEL
- 3/4" C-4/12/EFFLUENT VALVE OPEN/CLOSE INDICATIONS TO FILTER CONTROL PANEL
- 3/4" C-2/10.17/106CCT EFFLUENT VALVE SOLENOID TO FILTER CONTROL PANEL
- 3/4" C-2/10.17/106CCT EFFLUENT VALVE SOLENOID TO FILTER CONTROL PANEL
- 3/4" C-4/12/BACKWASH WASTE VALVE OPEN/CLOSE INDICATIONS TO FILTER CONTROL PANEL
- 3/4" C-2/10.17/106CCT BACKWASH WASTE VALVE SOLENOID TO FILTER CONTROL PANEL
- 3/4" C-2/10.17/106CCT BACKWASH WASTE VALVE SOLENOID TO FILTER CONTROL PANEL

GENERAL NOTES:  
 1. CONTRACTOR TO VERIFY EXACT LOCATION OF ALL PROPOSED NEW EQUIPMENT  
 2. INSTALL EFFLUENT FLOWMETERS AND BACKWASH FLOWMETER WITH PROPER UPSTREAM AND DOWNSTREAM CLEARANCES IN PIPING AS RECD BY FLOWMETER VENDOR

EXISTING FILTER CONTROL PANEL TO BE REMOVED  
 SCALE: 1/4" = 1'-0"



J.E. SARATZ, INC.  
 JOHN A. SARATZ, E. E. 11128  
 A MEMBER OF J.A. SARATZ COMPANY  
 10000 W. HUNTERS TRAIL, SUITE 100  
 WAXSPOUNG, TEXAS 76090

DATE	BY
DESIGN	JAC
CHECKED	JAC
DATE	AS NOTED
DATE	10/23/03

DATE	BY
DESIGN	JAC
CHECKED	JAC
DATE	AS NOTED
DATE	10/23/03

DATE	BY
DESIGN	JAC
CHECKED	JAC
DATE	AS NOTED
DATE	10/23/03

DATE	BY
DESIGN	JAC
CHECKED	JAC
DATE	AS NOTED
DATE	10/23/03

DATE	BY
DESIGN	JAC
CHECKED	JAC
DATE	AS NOTED
DATE	10/23/03

DATE	BY
DESIGN	JAC
CHECKED	JAC
DATE	AS NOTED
DATE	10/23/03

DATE	BY
DESIGN	JAC
CHECKED	JAC
DATE	AS NOTED
DATE	10/23/03

DATE	BY
DESIGN	JAC
CHECKED	JAC
DATE	AS NOTED
DATE	10/23/03

DATE	BY
DESIGN	JAC
CHECKED	JAC
DATE	AS NOTED
DATE	10/23/03

DATE	BY
DESIGN	JAC
CHECKED	JAC
DATE	AS NOTED
DATE	10/23/03

DATE	BY
DESIGN	JAC
CHECKED	JAC
DATE	AS NOTED
DATE	10/23/03

DATE	BY
DESIGN	JAC
CHECKED	JAC
DATE	AS NOTED
DATE	10/23/03

DATE	BY
DESIGN	JAC
CHECKED	JAC
DATE	AS NOTED
DATE	10/23/03

DATE	BY
DESIGN	JAC
CHECKED	JAC
DATE	AS NOTED
DATE	10/23/03

DATE	BY
DESIGN	JAC
CHECKED	JAC
DATE	AS NOTED
DATE	10/23/03

DATE	BY
DESIGN	JAC
CHECKED	JAC
DATE	AS NOTED
DATE	10/23/03

DATE	BY
DESIGN	JAC
CHECKED	JAC
DATE	AS NOTED
DATE	10/23/03

DATE	BY
DESIGN	JAC
CHECKED	JAC
DATE	AS NOTED
DATE	10/23/03

DATE	BY
DESIGN	JAC
CHECKED	JAC
DATE	AS NOTED
DATE	10/23/03

DATE	BY
DESIGN	JAC
CHECKED	JAC
DATE	AS NOTED
DATE	10/23/03

DATE	BY
DESIGN	JAC
CHECKED	JAC
DATE	AS NOTED
DATE	10/23/03

DATE	BY
DESIGN	JAC
CHECKED	JAC
DATE	AS NOTED
DATE	10/23/03

DATE	BY
DESIGN	JAC
CHECKED	JAC
DATE	AS NOTED
DATE	10/23/03

DATE	BY
DESIGN	JAC
CHECKED	JAC
DATE	AS NOTED
DATE	10/23/03

DATE	BY
DESIGN	JAC
CHECKED	JAC
DATE	AS NOTED
DATE	10/23/03

DATE	BY
DESIGN	JAC
CHECKED	JAC
DATE	AS NOTED
DATE	10/23/03

DATE	BY
DESIGN	JAC
CHECKED	JAC
DATE	AS NOTED
DATE	10/23/03

DATE	BY
DESIGN	JAC
CHECKED	JAC
DATE	AS NOTED
DATE	10/23/03

DATE	BY
DESIGN	JAC
CHECKED	JAC
DATE	AS NOTED
DATE	10/23/03

DATE	BY
DESIGN	JAC
CHECKED	JAC
DATE	AS NOTED
DATE	10/23/03

DATE	BY
DESIGN	JAC
CHECKED	JAC
DATE	AS NOTED
DATE	10/23/03

DATE	BY
DESIGN	JAC
CHECKED	JAC
DATE	AS NOTED
DATE	10/23/03

DATE	BY
DESIGN	JAC
CHECKED	JAC
DATE	AS NOTED
DATE	10/23/03

DATE	BY
DESIGN	JAC
CHECKED	JAC
DATE	AS NOTED
DATE	10/23/03

DATE	BY
DESIGN	JAC
CHECKED	JAC
DATE	AS NOTED
DATE	10/23/03

DATE	BY
DESIGN	JAC
CHECKED	JAC
DATE	AS NOTED
DATE	10/23/03

DATE	BY
DESIGN	JAC
CHECKED	JAC
DATE	AS NOTED
DATE	10/23/03

DATE	BY
DESIGN	JAC
CHECKED	JAC
DATE	AS NOTED
DATE	10/23/03

DATE	BY
DESIGN	JAC
CHECKED	JAC
DATE	AS NOTED
DATE	10/23/03

DATE	BY
DESIGN	JAC
CHECKED	JAC
DATE	AS NOTED
DATE	10/23/03

DATE	BY
DESIGN	JAC
CHECKED	JAC
DATE	AS NOTED
DATE	10/23/03

DATE	BY
DESIGN	JAC
CHECKED	JAC
DATE	AS NOTED
DATE	10/23/03

DATE	BY
DESIGN	JAC
CHECKED	JAC
DATE	AS NOTED
DATE	10/23/03

DATE	BY
DESIGN	JAC
CHECKED	JAC
DATE	AS NOTED
DATE	10/23/03

DATE	BY
DESIGN	JAC
CHECKED	JAC
DATE	AS NOTED
DATE	10/23/03

DATE	BY
DESIGN	JAC
CHECKED	JAC
DATE	AS NOTED
DATE	10/23/03

DATE	BY
DESIGN	JAC
CHECKED	JAC
DATE	AS NOTED
DATE	10/23/03

DATE	BY
DESIGN	JAC
CHECKED	JAC
DATE	AS NOTED
DATE	10/23/03

DATE	BY
DESIGN	JAC
CHECKED	JAC
DATE	AS NOTED
DATE	10/23/03

DATE	BY
DESIGN	JAC
CHECKED	JAC
DATE	AS NOTED
DATE	10/23/03

DATE	BY
DESIGN	JAC
CHECKED	JAC
DATE	AS NOTED
DATE	10/23/03

DATE	BY
------	----

