

DRAFT AIA[®] Document B141[™] - 1997 Part 1

Standard Form of Agreement Between Owner and Architect with Standard Form of Architect's Services

TABLE OF ARTICLES

- 1.1 INITIAL INFORMATION
- 1.2 RESPONSIBILITIES OF THE PARTIES
- 1.3 TERMS AND CONDITIONS
- 1.4 SCOPE OF SERVICES AND OTHER SPECIAL TERMS AND CONDITIONS
- 1.5 COMPENSATION

AGREEMENT made as of the 9th of **October** in the year **Two Thousand and Seven**
(In words, indicate day, month and year)

BETWEEN the Architect's client identified as the Owner:
(Name, address and other information)

County of Hidalgo
100 E. Cano, 2nd Floor
Edinburg, Texas 78539

Telephone Number: 956-318-2626

Fax Number: 956-318-2629

and the Architect:

(Name, address and other information)

Gignac & Associates, LLP
416 Starr Street
Corpus Christi, Texas 78401
Telephone Number- 361-884-2661
Fax Number 361-884-4232

For the following Project:
(Include detailed description of Project)

Hidalgo County

The County of Hidalgo Sheriff's Office Substation

Owner and Architect agree as follows:

ADDITIONS AND DELETIONS:
The author of this document has added information needed for its completion. The author may also have revised the text of the original AIA standard form. An Additions and Deletions Report that notes added information as well as revisions to the standard form text is available from the author and should be reviewed.

This document has important legal consequences. Consultation with an attorney is encouraged with respect to its completion or modification.

ELECTRONIC COPYING of any portion of this AIA[®] Document to another electronic file is prohibited and constitutes a violation of copyright laws as set forth in the footer of this document.

§ ARTICLE 1.1 INITIAL INFORMATION

§ 1.1.1 This Agreement is based on the following information and assumptions. *(Note the disposition for the following items by inserting the requested information or a statement such as "not applicable," "unknown at time of execution" or "to be determined later by mutual agreement.")*

§ 1.1.2 PROJECT PARAMETERS

§ 1.1.2.1 The objective or use is:
(Identify or describe, if appropriate, proposed use or goals.)

§ 1.1.2.2 The physical parameters are:
(Identify or describe, if appropriate, size, location, dimensions, or other pertinent information, such as geotechnical reports about the site.)

Precinct No. 3 Substation to be located near the Southeast corner of Los Ebanos Road and S.H. 107, Hidalgo County is planned for construction in the near future. While the county has not budgeted funds for the construction of the Precinct 3 Substation, the Architect agrees to be the Architect of Record for the Precinct 3 Substation under the same terms and conditions stated in this Agreement, more particularly described in Paragraph 1.1.2.5.3. Unless otherwise stated, all references to Cost of the Work or financial parameters in this Agreement refer only to the Precinct No. 1 Substation located along the northern frontage of Mile 11 and west of Mile 3 Road W. in Hidalgo County, Texas.

§ 1.1.2.3 The Owner's Program is:
(Identify documentation or state the manner in which the program will be developed.)

Not Applicable

§ 1.1.2.4 The legal parameters are:
(Identify pertinent legal information, including, if appropriate, land surveys and legal descriptions and restrictions of the site.)

Not Applicable

§ 1.1.2.5 The financial parameters are as follows.

- .1 Amount of the Owner's overall budget for the Project, including the Architect's compensation, is:
Precinct No. 1 Substation- Estimated to be \$3,000,000.00. Precinct No. 3- To be determined in a later date and as pursuant to herein 1.1.2.5.3.
- .2 Amount of the Owner's budget for the Cost of the Work, excluding the Architect's compensation, is:
Precinct No. 1 Substation- Estimated to be \$2,988,000.00. Precinct No. 3- To be determined in a later date and as pursuant to herein 1.1.2.5.3.
- .3 At the Owner's option to engage the Architect for the design of the Precinct 3 Substation more particularly described in 1.1.2.2., the Architect agrees to provide the services described in this Agreement and its incorporated documents for an amount not less than 4% of the construction cost for a prototype of the Precinct 1 Substation. However, should the Owner require substantive structural changes to the original design used for the Precinct 1 Substation for the Precinct 3 Substation, an additional negotiated stipulated sum shall be paid to the Architect for these services. In no event however, shall the Architect's total fees exceed 7.25% of the construction cost for the Precinct 3 Substation. If the County is unable to budget funds for the Precinct 3 Substation within five (5) years from substantial completion of the Precinct 1 Substation, then this Agreement shall terminate and the Architect shall be released from any obligation to provide services to Owner for the Precinct 3 Substation. The Owner agrees and understands that upon expiration of this Agreement, Owner may not use the Plans or Drawings for the Precinct 1 Substation for any other purpose without the written consent of the Architect.

§ 1.1.2.6 The time parameters are:
(Identify, if appropriate, milestone dates, durations or fast track scheduling.)

To be Determined by Mutual Agreement

§ 1.1.2.7 The proposed procurement or delivery method for the Project is:
(Identify method such as competitive bid, negotiated contract, or construction management.)

Competitive Bid.

§ 1.1.2.8 Other parameters are:
(Identify special characteristics or needs of the Project such as energy, environmental or historic preservation requirements.)

Not Applicable

§ 1.1.3 PROJECT TEAM

§ 1.1.3.1 The Owner's Designated Representative is:
(List name, address and other information.)

Hidalgo County Commissioners' Court and Hidalgo County Sheriff's Office as referenced on the AIA 201 General Conditions as modified by owner in section 2.1.1, as authorized representatives.
100 E. Cano, 2nd Floor
Edinburg, Texas 78539

§ 1.1.3.2 The persons or entities, in addition to the Owner's Designated Representative, who are required to review the Architect's submittals to the Owner are:
(List name, address and other information.)

Hidalgo County Commissioners' Court
100 East Cano, 2nd Floor
Edinburg, Texas 78539

§ 1.1.3.3 The Owner's other consultants and contractors are:
(List discipline and, if known, identify them by name and address.)

Mr. Rick Hinojosa- Civil
Mr. Brian Ulbrich- MEP

§ 1.1.3.4 The Architect's Designated Representative is:
(List name, address and other information.)

Raymond Gignac & Juan Mujica
Gignac & Associates
416 Starr Street
Corpus Christi, Texas 78401
Telephone Number: 361-884-2661
Fax Number: 361-884-4232

§ 1.1.3.5 The consultants retained at the Architect's expense are:
(List discipline and, if known, identify them by name and address.)

Mr. Rick Hinojosa - Civil
Mr. Brian Ulbrich- MEP

§ 1.1.4 Other important initial information is:

Not Applicable

§ 1.1.5 When the services under this Agreement include contract administration services, the General Conditions of the Contract for Construction shall be the edition of AIA Document A201 as modified by owner.

§ 1.1.6 The information contained in this Article 1.1 may be reasonably relied upon by the Owner and Architect in determining the Architect's compensation. Both parties, however, recognize that such information may change and, in that event, the Owner and the Architect shall negotiate appropriate adjustments in schedule, compensation and Change in Services in accordance with Section 1.3.3.

ARTICLE 1.2 RESPONSIBILITIES OF THE PARTIES

§ 1.2.1 The Owner and the Architect shall cooperate with one another to fulfill their respective obligations under this Agreement. Both parties shall endeavor to maintain good working relationships among all members of the Project team.

§ 1.2.2 OWNER

§ 1.2.2.1 Unless otherwise provided under this Agreement, the Owner shall provide full information in a timely manner regarding requirements for and limitations on the Project. The Owner shall furnish to the Architect, within 15 days after receipt of a written request, information necessary and relevant for the Architect to evaluate, give notice of or enforce lien rights.

§ 1.2.2.2 The Owner shall periodically update the budget for the Project, including that portion allocated for the Cost of the Work. If Owner should increase or decrease the overall budget, the portion of the budget allocated for the Cost of the Work, or contingencies included in the overall budget or a portion of the budget, the Architect shall make corresponding changes in the Project scope as agreed by Owner.

§ 1.2.2.3 The Owner's Designated Representative identified in Section 1.1.3 shall be authorized to act on the Owner's behalf with respect to the Project to the extent of the authority of such Designated Representative as evidenced by a resolution adopted by the governing body of Owner concurrently with the approval of this Agreement. The Owner or the Owner's Designated Representative shall render decisions in a timely manner pertaining to documents submitted by the Architect in order to avoid unreasonable delay in the orderly and sequential progress of the Architect's services.

§ 1.2.2.4 The Owner shall furnish the services of consultants other than those designated in Section 1.1.3 or authorize the Architect to furnish them as a Change in Services when such services are requested by the Architect and are reasonably required by the scope of the Project and agreed to in writing by the Owner.

§ 1.2.2.5 Unless otherwise provided in this Agreement, the Owner shall furnish tests, inspections and reports required by law or the Contract Documents, such as structural, mechanical, and chemical tests, tests for air and water pollution, and tests for hazardous materials.

§ 1.2.2.6 The Owner shall furnish all legal, insurance and accounting services, including auditing services, that may be reasonably necessary at any time for the Project to meet the Owner's needs and interests.

§ 1.2.2.7 The Owner shall provide prompt written notice to the Architect if the Owner becomes aware of any fault or defect in the Project, including any errors, omissions or inconsistencies in the Architect's Instruments of Service provided however, that failure of the Owner to provide such notice shall in no way affect Architect's obligations hereunder, nor shall such failure relieve Architect from any liability for failure to discover and correct any such fault defect, error, omission or inconsistency.

§ 1.2.3 ARCHITECT

§ 1.2.3.1 The services performed by the Architect, Architect's employees and Architect's consultants shall be as enumerated in Article 1.4.

§ 1.2.3.2 The Architect's services shall be performed as expeditiously as is consistent with professional skill and care and the orderly progress of the Project. The Architect shall submit for the Owner's approval a schedule for the performance of the Architect's services which initially shall be consistent with the time periods established in Section 1.1.2.6 and which shall be adjusted, in Owner's sole discretion if necessary, as the Project proceeds. This schedule shall include allowances for periods of time required for the Owner's review, for the performance of the Owner's consultants, and for approval of submissions by authorities having jurisdiction over the Project. Time limits

established by this schedule approved by the Owner shall not, except for reasonable cause, be exceeded by the Architect or Owner.

§ 1.2.3.3 The Architect's Designated Representative identified in Section 1.1.3 shall be authorized to act on the Architect's behalf with respect to the Project.

§ 1.2.3.4 The Architect shall maintain the confidentiality of information specifically designated as confidential by the Owner, unless withholding such information would violate the law, create the risk of significant harm to the public or prevent the Architect from establishing a claim or defense in an adjudicatory proceeding. The Architect shall require of the Architect's consultants similar agreements to maintain the confidentiality of information specifically designated as confidential by the Owner.

§ 1.2.3.5 Except with the Owner's knowledge and consent, the Architect shall not engage in any activity, or accept any employment, interest or contribution that would reasonably appear to compromise the Architect's professional judgment with respect to this Project.

§ 1.2.3.6 The Architect shall review laws, codes, and regulations applicable to the Architect's services. The Architect shall respond in the design of the Project to requirements imposed by governmental authorities having jurisdiction over the Project.

§ 1.2.3.7 The Architect shall be entitled to rely on the reasonable accuracy and completeness of services and information furnished by the Owner. The Architect shall provide prompt written notice to the Owner if the Architect becomes aware of any errors, omissions or inconsistencies in such services or information.

ARTICLE 1.3 TERMS AND CONDITIONS

§ 1.3.1 COST OF THE WORK

§ 1.3.1.1 The Cost of the Work shall be the total cost or, to the extent the Project is not completed, the estimated cost to the Owner of all elements of the Project designed or specified by the Architect.

§ 1.3.1.2 The Cost of the Work shall include the cost at current market rates of labor and materials furnished by the Owner and equipment designed, specified, selected or specially provided for by the Architect, including the costs of management or supervision of construction or installation provided by a separate construction manager or contractor, plus a reasonable allowance for their overhead and profit.

§ 1.3.1.3 The Cost of the Work does not include the compensation of the Architect and the Architect's consultants, the costs of the land, rights-of-way and financing or other costs that are the responsibility of the Owner.

§ 1.3.2 INSTRUMENTS OF SERVICE

§ 1.3.2.1 Drawings, specifications and other documents, including those in electronic form, prepared by the Architect and the Architect's consultants are Instruments of Service for use solely with respect to this Project. The Architect and the Architect's consultants shall be deemed the authors and owners of their respective Instruments of Service and shall retain all common law, statutory and other reserved rights, including copyrights. Original drawings and specifications are the property of the Architect; however, the Project is the property of the Owner, and Architect may not use the drawings and specifications therefor for any purpose not related to the Project without prior written Owner's consent. Owner shall be furnished with such reproductions of drawings and specifications as Owner may reasonably require. Upon completion of the work or any earlier termination of this Agreement under Article 1.3.8 Architect will revise drawings to reflect changes made during construction and he will promptly furnish the Owner with five complete set of reproducible record prints. Additional prints, unless otherwise agreed pursuant to this agreement, shall be furnished, as an additional service, at any other time request by Owner. All such reproductions shall be property of the Owner who may use them without Architect's permission for any proper purpose related to the Project, including but not limited to, additions to or completion of the Project.

§ 1.3.2.3 Submission or distribution of Instruments of Service to meet official regulatory requirements or for similar purposes in connection with the Project is not to be construed as publication in derogation of the reserved rights of the Owner.

§ 1.3.3 CHANGE IN SERVICES

§ 1.3.3.1 Change in Services of the Architect, including services required of the Architect's consultants, may be accomplished after execution of this Agreement, without invalidating the Agreement, if mutually agreed in writing, if required by circumstances beyond the Architect's control, or if the Architect's services are affected as described in Section 1.3.3.2. In the absence of mutual agreement in writing, the Architect shall notify the Owner prior to providing such services. If the Owner deems that all or a part of such Change in Services is required, the Owner shall give prompt written notice to the Architect, and the Architect shall provide those services. Except for a change due to the fault of the Architect, Change in Services of the Architect shall entitle the Architect to an adjustment in compensation pursuant to Section 1.5.2, and to any Reimbursable Expenses described in Section 1.3.9.2 and Section 1.5.5.

§ 1.3.3.2 If any of the following circumstances affect the Architect's services for the Project, the Architect shall be entitled to an appropriate adjustment in the Architect's schedule and compensation:

- .1 enactment or revision of codes, laws or regulations or official interpretations which necessitate changes to previously prepared Instruments of Service;
- .2 decisions of the Owner not rendered in a timely manner;
- .3 significant change in the Project including, but not limited to, size, quality, complexity, the Owner's schedule or budget, or procurement method; or unless recommended by the Architect.
- .4 Preparation for and attendance at a public hearing, a dispute resolution proceeding or a legal proceeding except where the Architect is party thereto.
- .5 change in the information contained in Article 1.1. unless such change is requested by the Architect.

§ 1.3.4 MEDIATION

§ 1.3.4.1 Any claim, dispute or other matter in question arising out of or related to this Agreement shall be subject to mediation as a condition precedent to arbitration or the institution of legal or equitable proceedings by either party.

§ 1.3.4.2 Request for mediation shall be filed in writing with the other party to this Agreement. Mediation shall proceed in advance of legal or equitable proceedings, which shall be stayed pending mediation for a period of 60 days from the date of filing, unless stayed for a longer period by agreement of the parties or court order.

§ 1.3.4.3 The parties shall share the mediator's fees equally. The mediation shall be held in the place where the Project is located, unless another location is mutually agreed upon. Agreements reached in mediation shall be enforceable as settlement agreements in any court having jurisdiction thereof.

§ 1.3.6 CLAIMS FOR CONSEQUENTIAL DAMAGES

The Architect waives consequential damages for claims, disputes or other matters in question arising out of or relating to this Agreement. This waiver is applicable, without limitation, to all consequential damages due to either party's termination in accordance with Section 1.3.8.

§ 1.3.7 MISCELLANEOUS PROVISIONS

§ 1.3.7.1 This Agreement shall be governed by the law of the principal place of business of the Owner.

§ 1.3.7.2 Terms in this Agreement shall have the same meaning as those in the edition of AIA Document A201, General Conditions of the Contract for Construction, current as of the date of this Agreement as modified by Owner and incorporated herein as Exhibit C.

§ 1.3.7.5 Nothing contained in this Agreement shall create a contractual relationship with or a cause of action in favor of a third party against either the Owner or Architect.

§ 1.3.7.8 If the Owner requests the Architect to execute certificates, the proposed language of such certificates shall be submitted to the Architect for review at least 14 days prior to the requested dates of execution. The Architect shall not be required to execute certificates that would require knowledge, services or responsibilities beyond the scope of this Agreement.

§ 1.3.7.9 The Owner and Architect, respectively, bind themselves, their partners, successors, assigns and legal representatives to the other party to this Agreement and to the partners, successors, assigns and legal representatives

of such other party with respect to all covenants of this Agreement. Neither the Owner nor the Architect shall assign this Agreement without the written consent of the other, except that the Owner may assign this Agreement to an institutional lender providing financing for the Project. In such event, the lender shall assume the Owner's rights and obligations under this Agreement. The Architect shall execute all consents reasonably required to facilitate such assignment.

§ 1.3.8 TERMINATION OR SUSPENSION

§ 1.3.8.1 If the Owner fails to make payments to the Architect in accordance with this Agreement, such failure shall be considered substantial nonperformance and cause for termination or, at the Architect's option, cause for suspension of performance of services under this Agreement. If the Architect elects to suspend services, prior to suspension of services, the Architect shall give seven days' written notice to the Owner. In the event of a suspension of services, the Architect shall have no liability to the Owner for delay or damage caused the Owner because of such suspension of services. Before resuming services, the Architect shall be paid all sums due prior to suspension and any expenses incurred in the interruption and resumption of the Architect's services. The Architect's fees for the remaining services and the time schedules shall be equitably adjusted.

§ 1.3.8.2 If the Project is suspended by the Owner for more than 30 consecutive days, the Architect shall be compensated for services performed prior to notice of such suspension. The time schedules shall be equitably adjusted.

§ 1.3.8.3 If the Project is suspended or the Architect's services are suspended for more than 90 consecutive days, the Architect may terminate this Agreement by giving not less than seven days' written notice.

§ 1.3.8.4 This Agreement may be terminated by either party upon not less than seven days' written notice should the other party fail substantially to perform in accordance with the terms of this Agreement through no fault of the party initiating the termination.

§ 1.3.8.5 This Agreement may be terminated by the Owner upon not less than seven days' written notice to the Architect for the Owner's convenience and without cause.

§ 1.3.8.6 In the event of termination not the fault of the Architect, the Architect shall be compensated for services performed prior to termination, together with Reimbursable Expenses then due.

§ 1.3.9 PAYMENTS TO THE ARCHITECT

§ 1.3.9.1 Payments on account of services rendered and for Reimbursable Expenses incurred shall be made monthly upon presentation of the of Architect's statement of services. No deductions shall be made from the Architect's compensation on account of penalty, liquidated damages or other sums withheld from payments to contractors, or on account of the cost of changes in the Work other than those for which the Architect is responsible.

Or at Owner's option:

Payment on account of services rendered and for Reimbursable Expense incurred can be made at the end of each phase of service upon presentation the Architect's statement of service. Those phases of service are described below:

Schematic Design Phase	Fifteen percent (15%)
Design Development Phase	Twenty percent (20%)
Construction Document Phase	Forty percent (40%)
Bidding/Negotiation	Five percent (5%)
Construction Phase	Twenty percent (20%)
TOTAL BASIC COMPENSATION	One-Hundred percent (100%)

§ 1.3.9.2 Reimbursable Expenses are in addition to compensation for the Architect's services and include expenses incurred by the Architect and Architect's employees and consultants directly related to the Project, as identified in the following Clauses:

- .1 transportation in connection with the Project, authorized out-of-town travel and subsistence, and electronic communications;
- .2 fees paid for securing approval of authorities having jurisdiction over the Project;

- .3 reproductions, plots, standard form documents, postage, handling and delivery of Instruments of Service at cost; other than five (5) copies of all Instruments of Service to be furnished to Owner at no additional cost.
- .4 expense of overtime work requiring higher than regular rates if authorized in advance by the Owner;
- .5 renderings, models and mock-ups requested by the Owner;
- .6 expense of professional liability insurance dedicated exclusively to this Project or the expense of additional insurance coverage or limits requested by the Owner in excess of that normally carried by the Architect and the Architect's consultants;
- .7 reimbursable expenses as designated in Section 1.5.5;
- .8 other similar direct Project-related expenditures.

§ 1.3.9.3 Records of Reimbursable Expenses, of expenses pertaining to a Change in Services, and of services performed on the basis of hourly rates or a multiple of Direct Personnel Expense shall be available to the Owner or the Owner's authorized representative at mutually convenient times. Architect shall maintain such reports for a minimum of five (5) years following the completion of the Project.

§ 1.3.9.4 Direct Personnel Expense is defined as the direct salaries of the Architect's personnel engaged on the Project and the portion of the cost of their mandatory and customary contributions and benefits related thereto, such as employment taxes and other statutory employee benefits, insurance, sick leave, holidays, vacations, employee retirement plans and similar contributions.

ARTICLE 1.4 SCOPE OF SERVICES AND OTHER SPECIAL TERMS AND CONDITIONS

§ 1.4.1 Enumeration of Parts of the Agreement. This Agreement represents the entire and integrated agreement between the Owner and the Architect and supersedes all prior negotiations, representations or agreements, either written or oral. This Agreement may be amended only by written instrument signed by both Owner and Architect. This Agreement comprises the documents listed below.

§ 1.4.1.1 Standard Form of Agreement Between Owner and Architect, AIA Document B141-1997, as modified by Owner.

§ 1.4.1.2 Standard Form of Architect's Services: Design and Contract Administration, AIA Document B141-1997, as modified by Owner:
(List other documents, if any, delineating Architect's scope of services.)

§ 1.4.1.3 Other documents as follows:
(List other documents, if any, forming part of the Agreement.)

Exhibit 'A' and 'B' containing Article 3 and 4, and Exhibit 'C' containing AIA Document A201 as modified by Owner, all of which are attached hereto and incorporated herein by reference.

§ 1.4.2 Special Terms and Conditions. Special terms and conditions that modify this Agreement are as follows:

Venue for any disputes or suits shall be in Hidalgo County, Texas

ARTICLE 1.5 COMPENSATION

§ 1.5.1 For the Architect's services as described under Article 1.4, compensation shall be computed as follows:

7.25.% of Final Cost

§ 1.5.2 If the services of the Architect are changed as described in Section 1.3.3.1, the Architect's compensation shall be adjusted. Such adjustment shall be calculated as described below or, if no method of adjustment is indicated in this Section 1.5.2, in an equitable manner mutually agreed upon owner and architect.

(Insert basis of compensation, including rates and multiples of Direct Personnel Expense for Principals and employees, and identify Principals and classify employees, if required. Identify specific services to which particular methods of compensation apply.)

N/A

§ 1.5.3 For a Change in Services of the Architect's consultants, compensation shall be computed as a multiple of **One and five hundredths (1.05)** times the amounts billed to the Architect for such services.

§ 1.5.4 For Reimbursable Expenses as described in Section 1.3.9.2, and any other items included in Section 1.5.5 as Reimbursable Expenses, the compensation shall be computed as a multiple of **One and five hundredths (1.05)** times the expenses incurred by the Architect, and the Architect's employees and consultants.

§ 1.5.5 Other Reimbursable Expenses, if any, are as follows:

Not Applicable

§ 1.5.6 The rates and multiples for services of the Architect and the Architect's consultants as set forth in this Agreement shall be adjusted in accordance with their normal salary review practices.

§ 1.5.7 An initial payment of **Zero Dollars and Zero Cents (\$ 0.00)** shall be made upon execution of this Agreement and is the minimum payment under this Agreement. It shall be credited to the Owner's account at final payment. Subsequent payments for services shall be made monthly, and where applicable, shall be in proportion to services performed on the basis set forth in this Agreement.

§ 1.5.8 Payments are due and payable **Forty-five (45)** days from the date of approval by Owner of the Architect's invoice. Amounts unpaid **Forty-five (45)** days after the approval by Owner of the invoice shall bear interest at the rate entered below, or in the absence thereof at the legal rate prevailing from time to time at the principal place of business of the Architect.

(Insert rate of interest agreed upon.)

0

(Usury laws and requirements under the Federal Truth in Lending Act, similar state and local consumer credit laws and other regulations at the Owner's and Architect's principal places of business, the location of the Project and elsewhere may affect the validity of this provision. Specific legal advice should be obtained with respect to deletions or modifications, and also regarding requirements such as written disclosures or waivers.)

This Agreement entered into as of the day and year first written above.

Approved by Commissioners' Court On: **January 30, 2008**

Approved as to form
Atlas & Hall, LLP

By: _____

Attest:

Arturo Guajardo Jr., County Clerk

OWNER

ARCHITECT

(Signature)

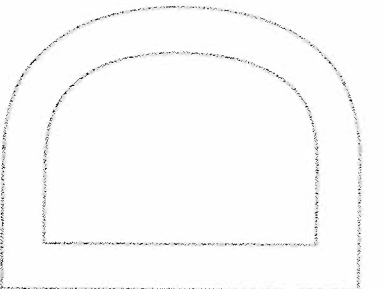
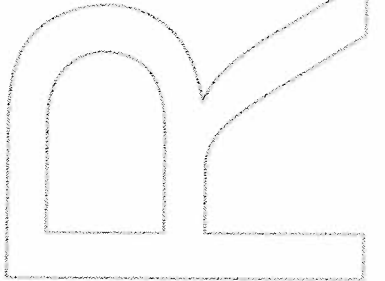
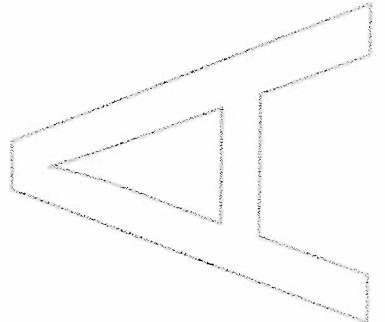
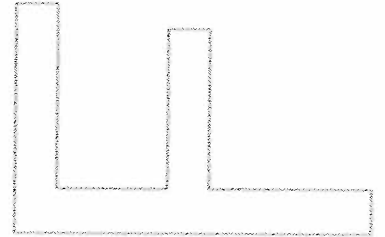
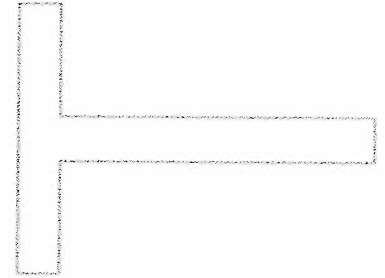
Juan D. Salinas ,III, County Judge
County of Hidalgo

(Printed name and title)

(Signature)

Raymond Gignac, AIA

(Printed name and title)



DRAFT AIA[®] Document B141[™] - 1997 Part 2

Standard Form of Architect's Services: Design and Contract Administration

TABLE OF ARTICLES

- 2.1 PROJECT ADMINISTRATION SERVICES
- 2.2 SUPPORTING SERVICES
- 2.3 EVALUATION AND PLANNING SERVICES
- 2.4 DESIGN SERVICES
- 2.5 CONSTRUCTION PROCUREMENT SERVICES
- 2.6 CONTRACT ADMINISTRATION SERVICES
- 2.7 FACILITY OPERATION SERVICES
- 2.8 SCHEDULE OF SERVICES
- 2.9 MODIFICATIONS

ARTICLE 2.1 PROJECT ADMINISTRATION SERVICES

§ 2.1.1 The Architect shall manage the Architect's services and administer the Project. The Architect shall consult with the Owner, research applicable design criteria, attend Project meetings, communicate with members of the Project team and issue progress reports. The Architect shall coordinate the services provided by the Architect and the Architect's consultants with those services provided by the Owner and the Owner's consultants.

§ 2.1.2 When Project requirements have been sufficiently identified, the Architect shall prepare, and periodically update, a Project schedule that shall identify milestone dates for decisions required of the Owner, design services furnished by the Architect, completion of documentation provided by the Architect, commencement of construction and Substantial Completion of the Work.

§ 2.1.3 The Architect shall consider the value of alternative materials, building systems and equipment, together with other considerations based on program, budget and aesthetics in developing the design for the Project.

§ 2.1.4 Upon request of the Owner, the Architect shall make a presentation to explain the design of the Project to representatives of the Owner.

§ 2.1.5 The Architect shall submit design documents to the Owner at intervals appropriate to the design process for purposes of evaluation and approval by the Owner. The Architect shall be entitled to rely on approvals received from the Owner in the further development of the design.

ADDITIONS AND DELETIONS:
The author of this document has added information needed for its completion. The author may also have revised the text of the original AIA standard form. An Additions and Deletions Report that notes added information as well as revisions to the standard form text is available from the author and should be reviewed.

This document has important legal consequences. Consultation with an attorney is encouraged with respect to its completion or modification.

ELECTRONIC COPYING of any portion of this AIA[®] Document to another electronic file is prohibited and constitutes a violation of copyright laws as set forth in the footer of this document.

§ 2.1.6 The Architect shall assist the Owner in connection with the Owner's responsibility for filing documents required for the approval of governmental authorities having jurisdiction over the Project.

§ 2.1.7 EVALUATION OF BUDGET AND COST OF THE WORK

§ 2.1.7.1 When the Project requirements have been sufficiently identified, the Architect shall prepare a preliminary estimate of the Cost of the Work. This estimate may be based on current area, volume or similar conceptual estimating techniques. As the design process progresses through the end of the preparation of the Construction Documents, the Architect shall update and refine the preliminary estimate of the Cost of the Work. The Architect shall advise the Owner of any adjustments to previous estimates of the Cost of the Work indicated by changes in Project requirements or general market conditions. If at any time the Architect's estimate of the Cost of the Work exceeds the Owner's budget, the Architect shall make appropriate recommendations to the Owner to adjust the Project's size, quality or budget, and the Owner shall cooperate with the Architect in making such adjustments.

§ 2.1.7.2 Evaluations of the Owner's budget for the Project, the preliminary estimate of the Cost of the Work and updated estimates of the Cost of the Work prepared by the Architect represent the Architect's judgment as a design professional familiar with the construction industry. It is recognized, however, that neither the Architect nor the Owner has control over the cost of labor, materials or equipment, over the Contractor's methods of determining bid prices, or over competitive bidding, market or negotiating conditions. Accordingly, the Architect cannot and does not warrant or represent that bids or negotiated prices will not vary from the Owner's budget for the Project or from any estimate of the Cost of the Work or evaluation prepared or agreed to by the Architect.

§ 2.1.7.3 In preparing estimates of the Cost of the Work, the Architect shall be permitted to include contingencies for design, bidding and price escalation; to determine what materials, equipment, component systems and types of construction are to be included in the Contract Documents; to make reasonable adjustments in the scope of the Project and to include in the Contract Documents alternate bids as may be necessary to adjust the estimated Cost of the Work to meet the Owner's budget for the Cost of the Work. If an increase in the Contract Sum occurring after execution of the Contract between the Owner and the Contractor causes the budget for the Cost of the Work to be exceeded, that budget shall be increased accordingly or at Owner's election, the Architect shall assist Owner, at no additional expense to Owner, in revising the Project to meet Owner's budget requirements.

§ 2.1.7.4 If bidding or negotiation has not commenced within 90 days after the Architect submits the Construction Documents to the Owner, the budget for the Cost of the Work shall be adjusted to reflect changes in the general level of prices in the construction industry.

§ 2.1.7.5 If the budget for the Cost of the Work is exceeded by the lowest bona fide bid or negotiated proposal, the Owner shall:

- .1 give written approval of an increase in the budget for the Cost of the Work;
- .2 authorize rebidding or renegotiating of the Project within a reasonable time;
- .3 terminate in accordance with Section 1.3.8.5; or
- .4 cooperate in revising the Project scope and quality as required to reduce the Cost of the Work.

§ 2.1.7.6 If the Owner chooses to proceed under Section 2.1.7.5.4, the Architect, without additional compensation, shall modify the documents for which the Architect is responsible under this Agreement as necessary to comply with the budget for the Cost of the Work. The Architect shall be entitled to compensation in accordance with this Agreement for all services performed whether or not construction is commenced.

ARTICLE 2.2 SUPPORTING SERVICES

§ 2.2.1 Unless specifically designated in Section 2.8.3, the services in this Article 2.2 shall be provided by the Owner or the Owner's consultants and contractors.

§ 2.2.1.1 The Owner shall furnish a program setting forth the Owner's objectives, schedule, constraints and criteria, including space requirements and relationships, special equipment, systems and site requirements.

§ 2.2.1.2 The Owner shall furnish surveys, and a written legal description of the site.

§ 2.2.1.3 The Owner shall furnish services of geotechnical engineers which may include but are not limited to test borings, test pits, determinations of soil bearing values, percolation tests, evaluations of hazardous materials, ground

corrosion tests and resistivity tests, including necessary operations for anticipating subsoil conditions, with reports and appropriate recommendations.

ARTICLE 2.3 EVALUATION AND PLANNING SERVICES

§ 2.3.1 The Architect shall provide a preliminary evaluation of the information furnished by the Owner under this Agreement, including the Owner's program and schedule requirements and budget for the Cost of the Work, each in terms of the other. The Architect shall review such information to ascertain that it is consistent with the requirements of the Project and shall notify the Owner of any other information or consultant services that may be reasonably needed for the Project.

§ 2.3.2 The Architect shall provide a preliminary evaluation of the Owner's site for the Project based on the information provided by the Owner of site conditions, and the Owner's program, schedule and budget for the Cost of the Work.

§ 2.3.3 The Architect shall review the Owner's proposed method of contracting for construction services and shall notify the Owner of anticipated impacts that such method may have on the Owner's program, financial and time requirements, and the scope of the Project.

ARTICLE 2.4 DESIGN SERVICES

§ 2.4.1 The Architect's design services shall include normal structural, mechanical and electrical engineering services.

§ 2.4.2 SCHEMATIC DESIGN DOCUMENTS

§ 2.4.2.1 The Architect shall provide Schematic Design Documents based on the mutually agreed-upon program, schedule, and budget for the Cost of the Work. The documents shall establish the conceptual design of the Project illustrating the scale and relationship of the Project components. The Schematic Design Documents shall include a conceptual site plan, if appropriate, and preliminary building plans, sections and elevations. At the Architect's option, the Schematic Design Documents may include study models, perspective sketches, electronic modeling or combinations of these media. Preliminary selections of major building systems and construction materials shall be noted on the drawings or described in writing.

§ 2.4.3 DESIGN DEVELOPMENT DOCUMENTS

§ 2.4.3.1 The Architect shall provide Design Development Documents based on the approved Schematic Design Documents and updated budget for the Cost of the Work. The Design Development Documents shall illustrate and describe the refinement of the design of the Project, establishing the scope, relationships, forms, size and appearance of the Project by means of plans, sections and elevations, typical construction details, and equipment layouts. The Design Development Documents shall include specifications that identify major materials and systems and establish in general their quality levels.

§ 2.4.4 CONSTRUCTION DOCUMENTS

§ 2.4.4.1 The Architect shall provide Construction Documents based on the approved Design Development Documents and updated budget for the Cost of the Work. The Construction Documents shall set forth in detail the requirements for construction of the Project. The Construction Documents shall include Drawings and Specifications that establish in detail the quality levels of materials and systems required for the Project.

§ 2.4.4.2 During the development of the Construction Documents, the Architect shall assist the Owner in the development and preparation of: (1) bidding and procurement information which describes the time, place and conditions of bidding; bidding or proposal forms; and the form of agreement between the Owner and the Contractor; and (2) the Conditions of the Contract for Construction (General, Supplementary and other Conditions). The Architect also shall compile the Project Manual that includes the Conditions of the Contract for Construction and Specifications and may include bidding requirements and sample forms.

ARTICLE 2.5 CONSTRUCTION PROCUREMENT SERVICES

§ 2.5.1 The Architect shall assist the Owner in obtaining either competitive bids or negotiated proposals and shall assist the Owner in awarding and preparing contracts for construction.

§ 2.5.2 The Architect shall assist the Owner in establishing a list of prospective bidders or contractors.

§ 2.5.3 The Architect shall assist the Owner in bid validation or proposal evaluation and determination of the successful bid or proposal, if any. If requested by the Owner, the Architect shall notify all prospective bidders or contractors of the bid or proposal results.

§ 2.5.4 COMPETITIVE BIDDING

§ 2.5.4.1 Bidding Documents shall consist of bidding requirements, proposed contract forms, General Conditions and Supplementary Conditions, Specifications and Drawings.

§ 2.5.4.2 If requested by the Owner, the Architect shall arrange for procuring the reproduction of Bidding Documents for distribution to prospective bidders. The Owner shall pay directly for the cost of reproduction or shall reimburse the Architect for such expenses.

§ 2.5.4.3 If requested by the Owner, the Architect shall distribute the Bidding Documents to prospective bidders and request their return upon completion of the bidding process. The Architect shall maintain a log of distribution and retrieval, and the amounts of deposits, if any, received from and returned to prospective bidders.

§ 2.5.4.4 The Architect shall consider requests for substitutions, if permitted by the Bidding Documents, and shall prepare and distribute addenda identifying approved substitutions to all prospective bidders upon Owner's written approval thereof.

§ 2.5.4.5 The Architect shall participate in or, at the Owner's direction, shall organize and conduct a pre-bid conference for prospective bidders.

§ 2.5.4.6 The Architect shall prepare responses to questions from prospective bidders and provide clarifications and interpretations of the Bidding Documents to all prospective bidders in the form of addenda.

§ 2.5.4.7 The Architect shall participate in or, at the Owner's direction, shall organize and conduct the opening of the bids. The Architect shall subsequently document and distribute the bidding results, as directed by the Owner.

§ 2.5.5 NEGOTIATED PROPOSALS

§ 2.5.5.1 Proposal Documents shall consist of proposal requirements, proposed contract forms, General Conditions and Supplementary Conditions, Specifications and Drawings.

§ 2.5.5.2 If requested by the Owner, the Architect shall arrange for procuring the reproduction of Proposal Documents for distribution to prospective contractors. The Owner shall pay directly for the cost of reproduction or shall reimburse the Architect for such expenses.

§ 2.5.5.3 If requested by the Owner, the Architect shall organize and participate in selection interviews with prospective contractors.

§ 2.5.5.4 The Architect shall consider requests for substitutions, if permitted by the Proposal Documents, and shall prepare and distribute addenda identifying approved substitutions to all prospective contractors upon Owner's approval thereof.

§ 2.5.5.5 If requested by the Owner, the Architect shall assist the Owner during negotiations with prospective contractors. The Architect shall subsequently prepare a summary report of the negotiation results, as directed by the Owner.

ARTICLE 2.6 CONTRACT ADMINISTRATION SERVICES

§ 2.6.1 GENERAL ADMINISTRATION

§ 2.6.1.1 The Architect shall provide administration of the Contract between the Owner and the Contractor as set forth below and in the edition of AIA Document A201, General Conditions of the Contract for Construction, current as of the date of this Agreement. Modifications made to the General Conditions, when adopted as part of the Contract Documents, shall be enforceable under this Agreement only to the extent that they are consistent with this Agreement or approved in writing by the Architect.

§ 2.6.1.2 The Architect's responsibility to provide the Contract Administration Services under this Agreement commences with the award of the initial Contract for Construction and terminates at the expiration of the period of correction for the Work as described in the Contract for Construction.

§ 2.6.1.3 The Architect shall be a representative of and shall advise and consult with the Owner during construction until final payment to the Contractor is paid, and at the Owner's direction during the period of correction of the Work described in the Contract for Construction. The Architect shall furnish architectural services and consultations necessary to correct minor construction defects encountered during such correction period. The Architect shall assist the Owner in performing a review of the Project during the eleventh month after the date of substantial completion. Such services shall be furnished without additional charge except for travel and subsistence cost. The Architect shall have authority to act on behalf of the Owner only to the extent provided in this Agreement unless otherwise modified by written amendment.

§ 2.6.1.4 Duties, responsibilities and limitations of authority of the Architect under this Article 2.6 shall not be restricted, modified or extended without written agreement of the Owner and Architect with consent of the Contractor, which consent will not be unreasonably withheld.

§ 2.6.1.5 The Architect shall review properly prepared, timely requests by the Contractor for additional information about the Contract Documents. A properly prepared request for additional information about the Contract Documents shall be in a form prepared or approved by the Architect and shall include a detailed written statement that indicates the specific Drawings or Specifications in need of clarification and the nature of the clarification requested.

§ 2.6.1.6 If deemed appropriate by the Architect, the Architect shall on the Owner's behalf prepare, reproduce and distribute supplemental Drawings and Specifications in response to requests for information by the Contractor.

§ 2.6.1.7 The Architect shall interpret and decide matters concerning performance of the Owner and Contractor under, and requirements of, the Contract Documents on written request of either the Owner or Contractor. The Architect's response to such requests shall be made in writing within any time limits agreed upon or otherwise with reasonable promptness.

§ 2.6.1.8 Interpretations and decisions of the Architect shall be consistent with the intent of and reasonably inferable from the Contract Documents and shall be in writing or in the form of drawings. When making such interpretations and initial decisions, the Architect shall endeavor to secure faithful performance by both Owner and Contractor, shall not show partiality to either, and shall not be liable for the results of interpretations or decisions so rendered in good faith.

§ 2.6.1.9 The Architect shall render initial decisions on claims, disputes or other matters in question between the Owner and Contractor as provided in the Contract Documents. However, the Architect's decisions on matters relating to aesthetic effect shall be final if consistent with the intent expressed in the Contract Documents.

§ 2.6.2 EVALUATIONS OF THE WORK

§ 2.6.2.1 The Architect, as a representative of the Owner, shall visit the site at intervals appropriate to the stage of the Contractor's operations, or as otherwise agreed by the Owner and the Architect in Article 2.8, (1) to become generally familiar with and to keep the Owner informed about the progress and quality of the portion of the Work completed, (2) to endeavor to guard the Owner against defects and deficiencies in the Work, and (3) to determine in general if the Work is being performed in a manner indicating that the Work, when fully completed, will be in accordance with the Contract Documents. The Architect shall neither have control over or charge of, nor be responsible for, the construction means, methods, techniques, sequences or procedures, or for safety precautions and programs in connection with the Work, since these are solely the Contractor's rights and responsibilities under the Contract Documents. Such visits to the site shall be documented in writing on inspection report forms acceptable to Owner.

§ 2.6.2.2 The Architect shall report to the Owner known deviations from the Contract Documents and from the most recent construction schedule submitted by the Contractor. However, the Architect shall not have control over the Contractor's failure to perform the Work in accordance with the requirements of the Contract Documents. The Architect shall be responsible for the Architect's negligent acts or omissions, but shall not have control over or

charge of acts or omissions of the Contractor, Subcontractors, or their agents or employees, or of any other persons or entities performing portions of the Work.

§ 2.6.2.3 The Architect shall at all times have access to the Work wherever it is in preparation or progress.

§ 2.6.2.4 Except as otherwise provided in this Agreement or when direct communications have been specially authorized, the Owner shall endeavor to communicate with the Contractor through the Architect about matters arising out of or relating to the Contract Documents. Communications by and with the Architect's consultants shall be through the Architect.

§ 2.6.2.5 The Architect shall have authority to reject Work that does not conform to the Contract Documents. Whenever the Architect considers it necessary or advisable, the Architect will have authority to require inspection or testing of the Work in accordance with the provisions of the Contract Documents, whether or not such Work is fabricated, installed or completed. However, neither this authority of the Architect nor a decision made in good faith either to exercise or not to exercise such authority shall give rise to a duty or responsibility of the Architect to the Contractor, Subcontractors, material and equipment suppliers, their agents or employees or other persons or entities performing portions of the Work.

§ 2.6.2.6 the Architect shall advise the Owner of required tests, inspections and test results; shall furnish coordination of such tests and inspections and shall advise the Owner of the results of same. Copies of test results shall be furnished upon request to the Owner.

§ 2.6.3 CERTIFICATION OF PAYMENTS TO CONTRACTOR

§ 2.6.3.1 The Architect shall review and certify the amounts due the Contractor and shall issue Certificates for Payment in such amounts. The Architect's certification for payment shall constitute a representation to the Owner, based on the Architect's evaluation of the Work as provided in Section 2.6.2 and on the data comprising the Contractor's Application for Payment, that the Work has progressed to the point indicated and that, to the best of the Architect's knowledge, information and belief, the quality of the Work is in accordance with the Contract Documents. The foregoing representations are subject (1) to an evaluation of the Work for conformance with the Contract Documents upon Substantial Completion, (2) to results of subsequent tests and inspections, (3) to correction of minor deviations from the Contract Documents prior to completion, and (4) to specific qualifications expressed by the Architect.

§ 2.6.3.2 The issuance of a Certificate for Payment shall not be a representation that the Architect has ascertained how or for what purpose the Contractor has used money previously paid on account of the Contract Sum.

§ 2.6.3.3 The Architect shall maintain a record of the Contractor's Applications for Payment.

§ 2.6.4 SUBMITTALS

§ 2.6.4.1 The Architect shall review and approve or take other appropriate action upon the Contractor's submittals such as Shop Drawings, Product Data and Samples, but only for the limited purpose of checking for conformance with information given and the design concept expressed in the Contract Documents. The Architect's action shall be taken with such reasonable promptness as to cause no delay in the Work or in the activities of the Owner, Contractor or separate contractors, while allowing sufficient time in the Architect's professional judgment to permit adequate review. The Architect's review shall not constitute approval of safety precautions or, unless otherwise specifically stated by the Architect, of any construction means, methods, techniques, sequences or procedures.

§ 2.6.4.2 The Architect shall maintain a record of submittals and copies of submittals supplied by the Contractor in accordance with the requirements of the Contract Documents.

§ 2.6.4.3 If professional design services or certifications by a design professional related to systems, materials or equipment are specifically required of the Contractor by the Contract Documents, the Architect shall specify appropriate performance and design criteria that such services must satisfy. Shop Drawings and other submittals related to the Work designed or certified by the design professional retained by the Contractor shall bear such professional's written approval when submitted to the Architect.

§ 2.6.5 CHANGES IN THE WORK

§ 2.6.5.1 The Architect shall prepare Change Orders and Construction Change Directives for the Owner's approval and execution in accordance with the Contract Documents. The Architect may authorize minor changes in the Work not involving an adjustment in Contract Sum or an extension of the Contract Time which are consistent with the intent of the Contract Documents. If necessary, the Architect shall prepare, reproduce and distribute Drawings and Specifications to describe Work to be added, deleted or modified, as provided in Section 2.8.2: Preparation of Change Orders which do not substantially affect the Project shall be included in the completion computed in Paragraph 1.5.1.

§ 2.6.5.2 The Architect shall review properly prepared, timely requests by the Owner or Contractor for changes in the Work, including adjustments to the Contract Sum or Contract Time. A properly prepared request for a change in the Work shall be accompanied by sufficient supporting data and information to permit the Architect to make a reasonable determination without extensive investigation or preparation of additional drawings or specifications. If the Architect determines that requested changes in the Work are not materially different from the requirements of the Contract Documents, the Architect may issue an order for a minor change in the Work or recommend to the Owner that the requested change be denied.

§ 2.6.5.3 If the Architect determines that implementation of the requested changes would result in a material change to the Contract that may cause an adjustment in the Contract Time or Contract Sum, the Architect shall make a recommendation to the Owner, who may authorize further investigation of such change. Upon such authorization, and based upon information furnished by the Contractor, if any, the Architect shall estimate the additional cost and time that might result from such change, including any additional costs attributable to a Change in Services of the Architect. With the Owner's approval, the Architect shall incorporate those estimates into a Change Order or other appropriate documentation for the Owner's execution or negotiation with the Contractor.

§ 2.6.5.4 The Architect shall maintain records relative to changes in the Work.

§ 2.6.6 PROJECT COMPLETION

§ 2.6.6.1 The Architect shall conduct inspections to determine the date or dates of Substantial Completion and the date of final completion, shall receive from the Contractor and forward to the Owner, for the Owner's review and records, written warranties and related documents required by the Contract Documents and assembled by the Contractor, and shall issue a final Certificate for Payment based upon a final inspection indicating the Work complies with the requirements of the Contract Documents.

§ 2.6.6.2 The Architect's inspection shall be conducted with the Owner's Designated Representative to check conformance of the Work with the requirements of the Contract Documents and to verify the accuracy and completeness of the list submitted by the Contractor of Work to be completed or corrected.

§ 2.6.6.3 When the Work is found to be substantially complete, the Architect shall inform the Owner about the balance of the Contract Sum remaining to be paid the Contractor, including any amounts needed to pay for final completion or correction of the Work.

§ 2.6.6.4 The Architect shall receive from the Contractor and forward to the Owner: (1) consent of surety or sureties, if any, to reduction in or partial release of retainage or the making of final payment and (2) affidavits, receipts, releases and waivers of liens or bonds indemnifying the Owner against liens.

ARTICLE 2.7 FACILITY OPERATION SERVICES

§ 2.7.1 The Architect shall meet with the Owner or the Owner's Designated Representative promptly after Substantial Completion to review the need for facility operation services.

§ 2.7.2 Upon request of the Owner, and prior to the expiration of one year from the date of Substantial Completion, the Architect shall conduct a meeting with the Owner and the Owner's Designated Representative to review the facility operations and performance and to make appropriate recommendations to the Owner.

ARTICLE 2.8 SCHEDULE OF SERVICES

§ 2.8.1 Design and Contract Administration Services beyond the following limits shall be provided by the Architect as a Change in Services in accordance with Section 1.3.3:

- .1 up to **Three** (3) reviews of each Shop Drawing, Product Data item, sample and similar submittal of the Contractor.
- .2 up to **Four weekly** (4) visits to the site by the Architect over the duration of the Project during construction.
- .3 up to **Two** (2) inspections for any portion of the Work to determine whether such portion of the Work is substantially complete in accordance with the requirements of the Contract Documents.
- .4 up to **Two** (2) inspections for any portion of the Work to determine final completion.

§ 2.8.2 The following Design and Contract Administration Services shall be provided by the Architect as a Change in Services in accordance with Section 1.3.3:

- .1 review of a Contractor's submittal out of sequence from the submittal schedule agreed to by the Architect;
- .2 responses to the Contractor's requests for information where such information is available to the Contractor from a careful study and comparison of the Contract Documents, field conditions, other Owner-provided information, Contractor-prepared coordination drawings, or prior Project correspondence or documentation;
- .3 providing consultation concerning replacement of Work resulting from fire or other cause during construction;
- .4 evaluation of substitutions proposed by the Owner's consultants or contractors and making subsequent revisions to Instruments of Service resulting therefrom; except for any such substitution or revision recommended by Architect.

§ 2.8.3 The Architect shall furnish or provide the following services only if specifically designated:

Services	Responsibility (Architect, Owner or Not Provided)	Location of Service Description
.1 Programming	N/A	
.2 Land Survey Services	N/A	
.3 Geotechnical Services	N/A	
.4 Space Schematics/Flow Diagrams	Architect	
.5 Existing Facilities Surveys	Architect	
.6 Economic Feasibility Studies	N/A	
.7 Site Analysis and Selection	N/A	
.8 Environmental Studies and Reports	Architect	
.9 Owner-Supplied Data Coordination	Architect	
.10 Schedule Development and Monitoring	Architect	
.11 Civil Design	N/A	
.12 Landscape Design	N/A	
.13 Interior Design	N/A	
.14 Special Bidding or Negotiation	Architect/Owner	
.15 Value Analysis	N/A	
.16 Detailed Cost Estimating	N/A	
.17 On-Site Project Representation	Architect	
.18 Construction Management	N/A	
.19 Start-up Assistance	N/A	
.20 Record Drawings	Architect	
.21 Post-Contract Evaluation	N/A	
.22 Tenant-Related Services	N/A	
.23 As built	Contractor in coordination with Architect	

Services	Responsibility (Architect, Owner or Not Provided)	Location of Service Description
.24		
.25		

Description of Services.

(Insert descriptions of the services designated.)

2.8.3(a) To the extent any existing facilities are present at the location of the Project, the Architect shall provide a review of such existing facilities, and shall make recommendations to Owner regarding the modification, if any of such facilities which are necessary to complete the Project and to bring the existing facilities into compliance with applicable laws, codes, regulations and ordinances.

2.8.3(b) The Architect shall be responsible for coordination and review of all Owner supplied data, and the dissemination of such data to Owner's and Architect's consultants and to any contractors, subcontractors and other parties as may need such data to perform their duties or responsibilities with respect to the Project.

2.8.3(c) The Architect shall assist the Owner in preparing any Project schedules or timelines and in monitoring the progress of Owner, Architect, and any consultants, contractors, subcontractors or other parties which may be responsible for completing the tasks designated in such schedules or timelines. Architect shall make recommendations to Owner regarding changes and updates in schedules or timelines, as well as any action required by Owner as a result of any failure or any person to comply with such schedules or timelines.

2.8.3(d) The Architect shall provide cost estimate based on Construction Contract Documents. The estimate shall show a breakdown of the project cost in accordance with Owner's requirements and procedures.

2.8.3(e) The selection and compensation of the Project Representative, if required, shall be concurred in by the Owner.

2.8.3(f) One (1) sets of Record Drawings shall be provided to the Owner. The costs of these sets shall be included in the compensation to the Architect notwithstanding Subparagraph 1.3.9.2. Any additional Record Drawings requested by Owner shall be provided by Architect to Owner at actual cost.

2.8.3(g) Existing facility surveys; Architect verification of existing conditions and measurements.

2.8.3(h) Schedule Development and Monitoring of Architect's overall Project schedule.

2.8.3(i) On-Site Project Representation: Architect's job-site inspections, weekly or more frequently, if needed.

2.8.3(j) Architectural/engineering services encompass the following items:

- .1 Structural/Electrical Engineering
- .2 Texas Accessibility Standards Review
- .3 30 Sets Plans/Specifications for contractors

2.8.3(k) Architectural/engineering services include providing five (5) sets of prints of final plans. 30 (30) additional sets of final plans shall be provided by Architect to Owner at actual cost. Architect shall provide adequate backup documentation (i.e. printing invoices) to Owner for all reimbursable printing costs of final plans.

2.8.3(l) All services under 2.8.3 should be at no additional cost to the Owner

ARTICLE 2.9 MODIFICATIONS

§ 2.9.1 Modifications to this Standard Form of Architect's Services: Design and Contract Administration, if any, are as follows:

See Exhibits "A" and "B" containing Article 3 and 4, and Exhibit 'C' AIA Document A201 as modified by Owner, all of which are attached hereto and incorporated herein by reference.

By its execution, this Standard Form of Architect's Services: Design and Contract Administration and modifications hereto are incorporated into the Standard Form of Agreement Between the Owner and Architect, AIA Document B141-1997, that was entered into by the parties as of the date: **October 9, 2007.**

APPROVED BY COMMISSIONERS' COURT ON **October 9, 2007.**

Approved as to form:
Atlas & Hall, LLP

By: _____

Attest:

Arturo Guajardo Jr., County Clerk

OWNER

(Signature)
Juan D. Salinas III, County Judge
County of Hidalgo

(Printed name and title)

ARCHITECT

(Signature)
Raymond Gignac, AIA

(Printed name and title)

