

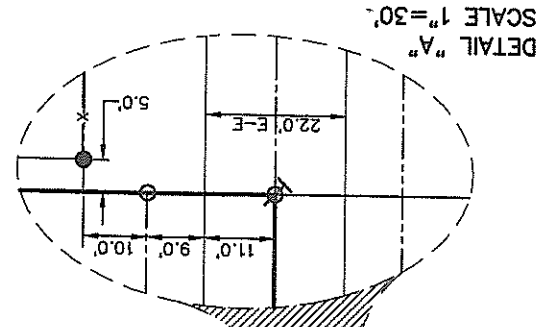
SUR 08 029 1
JOB NUMBER

●	- FD. 1/2" IRON ROD
○	- SET 1/2" IRON ROD
⊗	- SET P-K NAIL

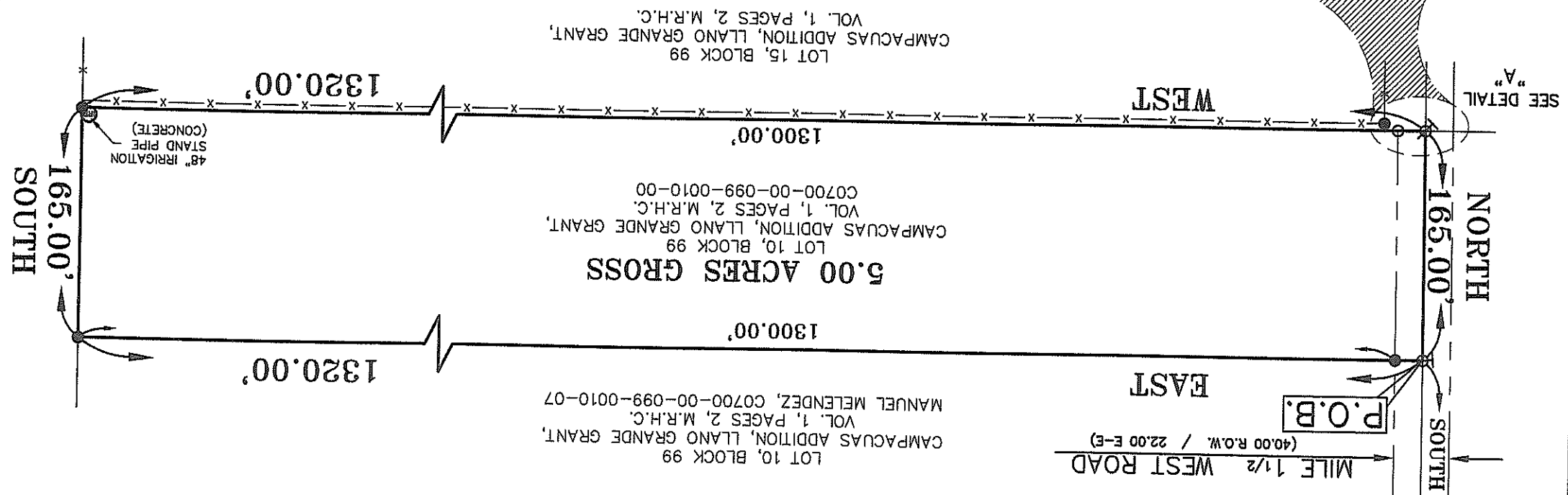
MAP REVISED: JUNE 6, 2008
COMMUNITY-PANEL NUMBER: 480334 0450 C
FLOOD ZONE DESIGNATION: ZONE "X"
REQUESTED BY: THE COUNTY OF HIDALGO
SURVEYED: JUNE 12, 2008
G.F.# 112906

A 5.00 (217,800.00 SQ. FT.) GROSS ACRE TRACT OF LAND, OUT OF LOT 10 BLOCK 99, CAMPACUAS ADDITION, LLANO GRANDE GRANT, VOLUME 1, PAGE 2, MAP RECORDS, HIDALGO COUNTY, TEXAS.

PLAT SHOWING



SCALE 1"=30'
DETAIL "A"



LOT 15, BLOCK 99
CAMPACUAS ADDITION, LLANO GRANDE GRANT,
VOL. 1, PAGES 2, M.R.H.C.

LOT 10, BLOCK 99
CAMPACUAS ADDITION, LLANO GRANDE GRANT,
VOL. 1, PAGES 2, M.R.H.C.
C0700-00-099-0010-00

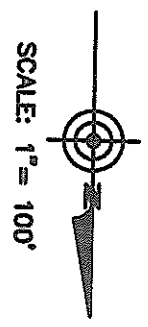
LOT 10, BLOCK 99
CAMPACUAS ADDITION, LLANO GRANDE GRANT,
VOL. 1, PAGES 2, M.R.H.C.
MANUEL MELENDEZ, C0700-00-099-0010-07

LEO L. RODRIGUEZ, JR.
REGISTERED PROFESSIONAL LAND SURVEYOR NO. 2448
DATE 6-18-08

I, LEO L. RODRIGUEZ, JR., CERTIFY THAT THE ABOVE PLAT IS AN ACTUAL SURVEY MADE ON THE GROUND UNDER MY SUPERVISION AND THAT THERE ARE NO VISIBLE EASEMENTS OR ENCROACHMENTS EXCEPT AS SHOWN AND THAT ALL CORNERS HAVE BEEN LOCATED AS INDICATED.



LOT 9, BLOCK 99
CAMPACUAS ADDITION, LLANO GRANDE GRANT,
VOL. 1, PAGES 2, M.R.H.C.
THERMAN F., C0700-00-099-0009-00



THE FOLLOWING MATTERS FROM SCHEDULE B, AFFECT THIS PROPERTY

10 (d) BLANKET EASEMENT, RULES, REGULATIONS AND RIGHTS IN FAVOR OF HIDALGO AND CAMERON COUNTIES WATER CONTROL AND IMPROVEMENTS DISTRICT NO. 9 AND EASEMENTS AND RESTRICTION AS SHOWN ON THE MAP OF THE ABOVE DESCRIBED SUBMISSION.

10 (b) ROADWAYS AS SHOWN ON THE MAP OF THE CAMPACUAS ADDITION, RECORDED IN VOL. 1, PAGE 2, M.R.H.C., TEXAS.

10 (p) VISIBLE AND APPARENT EASEMENTS ON OR ACROSS THE PROPERTY HEREIN DESCRIBED.

RODRIGUEZ ENGINEERING
CONSULTING ENGINEER • SURVEYOR

P.O. BOX 1830 • EDINBURG, TEXAS • 78840
PHONE (966) 491-1013

BASIS OF BEARING:
WEST LINE OF LOT 10, BLK. 99
CAMPACUAS ADDITION, LLANO GRANDE GRANT
VOLUME 1, PAGE 2, MAP RECORDS,
HIDALGO COUNTY, TEXAS.

P.O.C.
N.W.C. LOT 10

BASIS OF BEARING