

DOGGETT HEAVY MACHINERY SERVICES, LTD.

#1
PHARR TX
 705 E. Nolana, 78589
 (956) 787-0001
 Fax(956) 787-0055

#2
CORPUS CHRISTI, TX
 433 Flato Rd. 78405
 Box 4918, 78469
 (361) 289-0727
 Fax (361) 289-7229

#3
BROWNSVILLE, TX
 5994 E. 14TH St. 78520
 (956) 831-9377
 Fax (956) 831-7421

#4
VICTORIA, TX
 6812 N. US 59, 77905
 (361) 570-6666
 (361) 570-6688

Store #: 1 Date: 10/30/09

Acct #: _____ Tax / SS #: _____

Business: Hidalgo County Pct # 3

Individual: Joe Flores

Address: 400W. 13Th

City/St/Zip: Mission Texas 78572

Phone #: 956/585/4509 Fax #: _____

Cell #: _____ Corp. LLC Pard. Ind.

PO #: Saul 607/5647 Job #: _____

Proposal for: **BuyBoard Quotation**

RENTAL Month/s Week/s Days

Start Date: _____ Rate \$: _____

Delivery \$: _____ Pick-up \$: _____

Payment: P. P. Cash Other *

Taxable: Yes No

SALE Finance Lease Cash

Term: Months % Rate Other*

Proposal good for: _____ Days

QUOTATION BELOW SUBJECT TO APPLICABLE TAXES

Qty	Make	Model	Serial No.	Description of Equipment / Include HOURS & YEAR Model	Sale Price of Unit/s
	JD	644J	New	Wheelloader	\$ 300,698.00
				Cab/Air 3.5 Yd Bucket	
				Inventory Discount	\$ (15,000.00)
				BuyBoard Dicount %27.5	\$ (82,691.95)
				BuyBoard Contracr# 268-07	
Total Selling Price Units (All) :					\$ 203,006.05
Stock Number : Extended Warranty :					\$ -

WARRANTY

Extended New Other*

Full Machine EPT + Hyd EPT

Term: Months: 24 Hours: 2500

Less Applicable Rent :	\$ -
Less Trade-in Value :	\$ -
Taxable Amount :	\$ 203,006.05
Ad valorem Tax: 0.00000%	\$ -
Sales / Fuel Tax: 0.00%	\$ -
Less Down Payment :	\$ -
Total Amount To Finance Or Pay Cash :	\$ 203,006.05
Monthly Payments:	_____

Notes / *Other

Salesman : RUDY LLAMAS

Customer : _____

Physical Address: _____

225 SAE NET HORSEPOWER

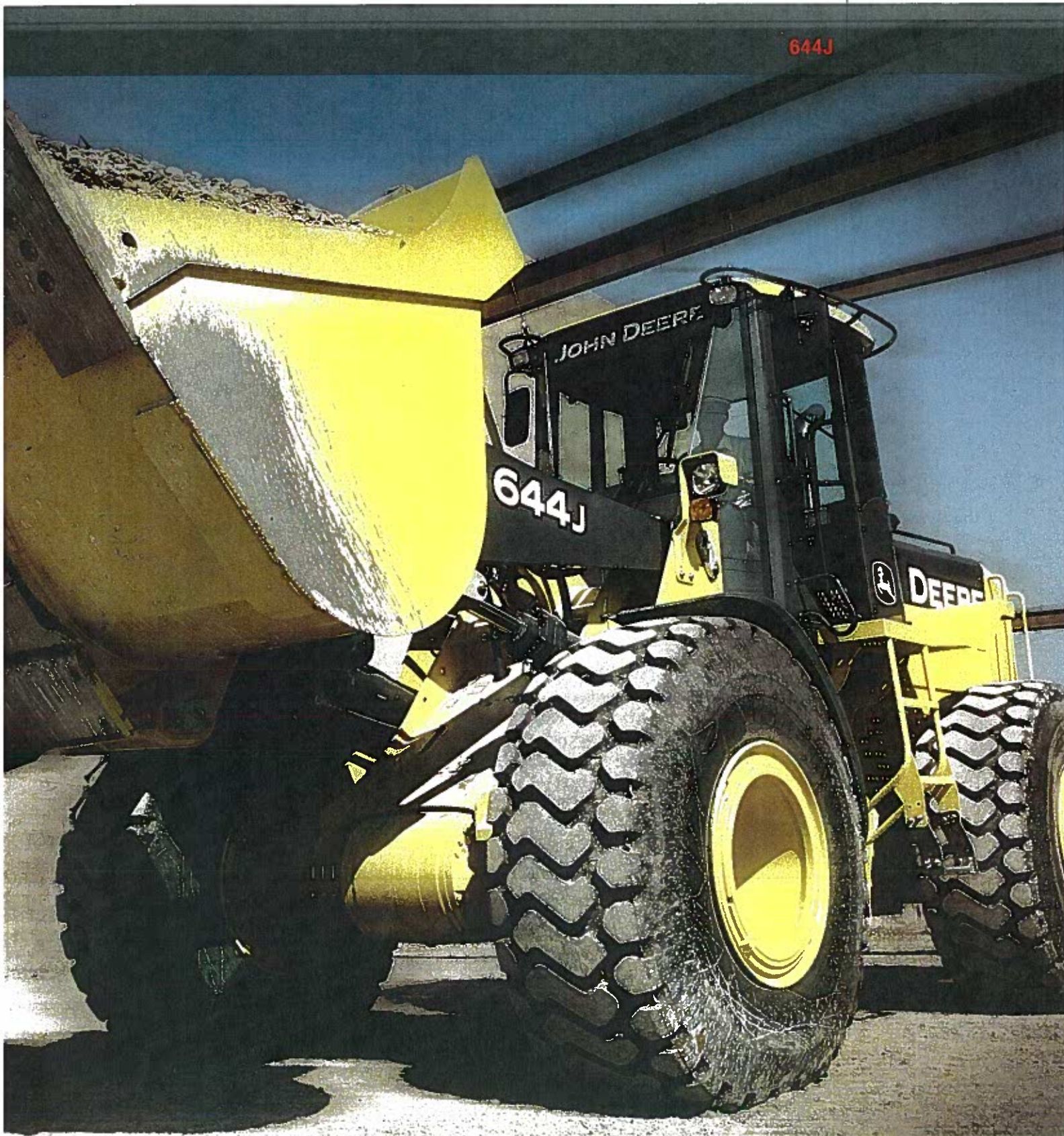


JOHN DEERE

J

LOADER

644J





JOHN DEERE

Equipment Details

Prepared For: Joe Flores
 Iowa & 107Rd
 Mission, Texas 78574
 Phone: 056/585/4509
 Email: rudyllamas@doggettmachinery.com

Dealership: Rudy Llamas
 DOGGETT HEAVY MACH SERV LLC
 705 E NOLANA LOOP
 PHARR, TX 785779535
 Phone: 9567870001
 Email: rudyllamas@doggettmachinery.com

Date October 30, 2009

Offer Expires: 11/27/09

Price and availability subject to change without notice. Taxes, extended warranty and freight charges are extra.
 Some additional charges may apply.

All amounts are displayed in USD

644J LOADER

Code	Description	Qty	List Price
7660T	644K LOADER		\$265,143.00

Options

Required Items:			
0810	644K Standard Gathering Group	1	In Base Price
	Includes: Main Counterweight Rear Hanging Step Rear HD lights Fuel Tank and Lines Labels and Trim		
1010	644K Loader	1	In Base Price
2010	Z-BAR with Standard Greased Pin Joints	1	In Base Price
2432	3 Function -- Joystick with FNR and 3rd Function Auxiliary Control Lever	1	\$2,422.00

1 lever controls both boom and bucket and 2nd lever controls auxiliary functions.

	Includes auxiliary hydraulic lines to boom cross tube. Requires code 2120 Conventional Steering.		
2120	Steering Wheel Only	1	In Base Price
	Steering Wheel remains without Joystick Steering. Requires code 2220 or 2230 Seat.		
8422	ROPS Quiet Cab with Air Conditioning	1	\$11,098.00
	Includes: Air conditioner Heater Defroster and pressurizer Front and rear intermittent windshield wipers and washers (1) inside and (2) outside rear view mirrors Left and right rear side windows open 2.5" (65 mm) for ventilation Sun visor		
2220	Standard Fabric, Back Rest Extension, Air Suspension Seat for Conventional Steering	1	In Base Price
	Seat includes full adjustment, Lumbar and Air Suspension with full dampening capability.		
2510	Ride Control	1	\$4,386.00
	Code 9410 Guards are recommended in applications where underside is vulnerable.		
1110	4-Speed Transmission	1	In Base Price
3046	Front Hydraulically Locking Differential and Rear Conventional Differential Axles	1	In Base Price
3120	Manual Axle Differential Lock	1	In Base Price
4610	23.5R25 L3 1 Star Radial Tires with 3 pc. Rims	1	In Base Price
5550	Full Front and Rear Fenders For Muddy Applications	1	\$3,037.00
5320	Less Tire Pressure Monitoring System	1	In Base Price
7110	Turn Signal and Marker Lights	1	In Base Price
	Optional Items:		
8550	Bucket Pins Less Bucket	1	\$490.00
	When installing attachments that are heavier than 5100lbs (standard z-bar) or 3825lbs (high lift), it is strongly recommended field kit AT361146 be installed. This field kit allows control over the dump speed and protects the linkage components from damage with large attachments.		
8760	4.25 Cu. Yd. (3.3 Cu. M.) General Purpose Bucket with Bolt-on Cutting Edge	1	\$9,530.00
9030	Centrifugal Engine Air Pre-Cleaner	1	\$554.00
9055	Automatic Reversing Fan Drive	1	\$1,261.00
	Reversible fan is automatic with adjustable timer. Requires Code 9030 Centrifugal PreCleaner.		
9410	Transmission and Bottom Guards with Level 2 Sound Package included	1	\$2,167.00
	Code 9410 Guards are recommended in applications where underside is vulnerable.		
AT337116	AM/FM/WB Radio with CD Player	1	\$610.00
	Includes speakers, wiring, 24 Volt to 12 Volt - 10 Amp Converter and antenna.		

Configuration Total:

\$300,698.00

Summary

All amounts are displayed in USD

Additional Charges

Freight:	+/-	\$0.00
Setup & Delivery:	+/-	\$0.00
Discounts: TASB % 27.5	+/-	(\$82,691.95)
Trade In Allowance:	+/-	\$0.00
Extended Warranty:	+/-	\$0.00
Taxes:	+/-	\$0.00
Total Additional Charges:		(\$82,691.95)

Additional Information

TASB SELL

Customer Comments

Total Delivered Price: 1 **\$218,006.05**

Price and availability subject to change without notice. Taxes, extended warranty and freight charges are extra. Some additional charges may apply.

DOGGETT HEAVY MACHINERY SERVICES, LTD.

#1
PHARR TX
 705 E. Nolana, 78589
 (956) 787-0001
 Fax(956) 787-0055

#2
CORPUS CHRISTI, TX
 433 Flato Rd. 78405
 Box 4918, 78469
 (361) 289-0727
 Fax (361) 289-7229

#3
BROWNSVILLE, TX
 5994 E. 14TH St. 78520
 (956) 831-9377
 Fax (956) 831-7421

#4
VICTORIA, TX
 6812 N. US 59, 77905
 (361) 570-6666
 (361) 570-6688

Store #: 1 Date: 10/30/09
 Acct #: _____ Tax / SS #: _____
 Business: Hidalgo County Pct # 3
 Individual: Joe Flores
 Address: 400W. 13Th
 City/St/Zip: Mission Texas 78572
 Phone #: 956/585/4509 Fax #: _____
 Cell #: Oscar 318/2626 Corp. LLC Pard. Ind.
 PO #: Saul 607/5647 Job #: _____

Proposal for: **BuyBoard Quotation**

RENTAL Month/s Week/s Days

Start Date: _____ Rate \$: _____

Delivery \$: _____ Pick-up \$: _____

Payment: P. P. Cash Other *

Taxable: Yes No

SALE Finance Lease Cash

Term: Months % Rate Other*

Proposal good for: 20 Days

QUOTATION BELOW SUBJECT TO APPLICABLE TAXES

Qty	Make	Model	Serial No.	Description of Equipment / Include HOURS & YEAR Model	Sale Price of Unit/s
	Dynap	CP 142	New	Pneumatic Roller	\$ 85,728.00
				Extra/Counterweight	
				BuyBoard Discount 20%	\$ (17,145.60)
				BuyBoard Contract# 268-07	
Total Selling Price Units (All) :					\$ 68,582.40
Stock Number :					
Extended Warranty :					\$ -

WARRANTY

Extended New Other*

Full Machine EPT + Hyd EPT

Term: Months: 24 Hours: 2500

Less Applicable Rent : \$ -

Less Trade-in Value : \$ -

Taxable Amount : \$ 68,582.40

Ad valorem Tax: 0.00000% \$ -

Sales / Fuel Tax: 0.00% \$ -

Less Down Payment : \$ -

Total Amount To Finance Or Pay Cash : \$ 68,582.40

Monthly Payments: _____

Notes / *Other

Salesman : RUDY LLAMAS

Customer : _____

Physical Address: _____

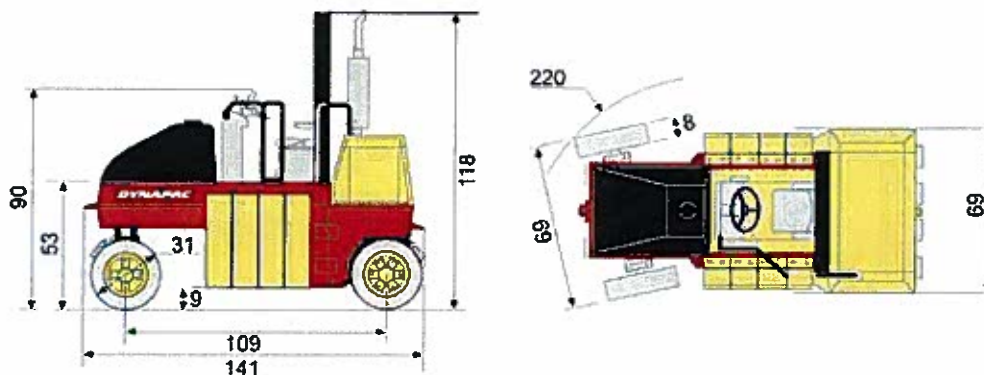
DYNAPAC

Part of the Atlas Copco Group

CP142 Pneumatic Tire Roller



Technical data



Traction		
Transmission		Hydrostatic, direct drive motors at rear tires
Speed low/high (mph)		6/12
Theor. gradeability (%)		31
Compaction		
Rolling width (in)		69
Tyre overlap (in)		0.5
Wheel loads (lbs)		
- without ballast		1,475
- with 2 ballast boxes		1,960
- with 4 ballast boxes		2,445
- with 6 ballast boxes		2,930
- with 8 ballast boxes		3,440
Tyre type (14 ply)		7.50-15
Number of tires		5 front, 4 rear
Wheel oscillation (°)		±3
Water spray system		
- type		Pressurized, electric pump
- tank capacity		500
- spray nozzle		one per tire
Engine		
Model (Turbo Diesel)		Cummins QSB 3.3L
Type		Water cooled
Rated power, SAE J1995, at 2,200 rpm, rpm ,hp		99
Fuel tank capacity (gals)		37
Electrical system (volt)		12
Traction		
Service		Hydrost. braking on drive wheels (rear)
Parking-/Secondary brake		Spring-applied on drive wheels (rear).
Weights (lbs)		
Operating mass (incl. ROPS)		13,230
- with 2 ballast boxes		17,640
- with 4 ballast boxes		22,050
- with 6 ballast boxes (standard)		26,460
- with 8 ballast boxes (option)		30,870
Standard Equipment		
Back-up alarm; Ballast boxes (6 boxes); Documentation (Manuals), one set; Dual scrapers with cocoa mats; Fuel level gauge; Horn; Hour meter; Lifting points; Main battery switch; Neutral start arrangement; Operator seat with armrest; Pressurised sprinkler system; Tie down points; Tool box; Tyres, 14 ply; Vandal cover for instrument panel; Warning light - Air cleaner; Warning light - Brake; Warning light - Engine oil pressure; Warning light - Engine oil temperature; Warning light - Hydraulic fluid filter; Warning light - Hydraulic fluid tem-		

DOGGETT HEAVY MACHINERY SERVICES, LTD.

#1
PHARR TX
 705 E. Nolana, 78589
 (956) 787-0001
 Fax(956) 787-0055

#2
CORPUS CHRISTI, TX
 433 Flato Rd. 78405
 Box 4918, 78469
 (361) 289-0727
 Fax (361) 289-7229

#3
BROWNSVILLE, TX
 5994 E. 14TH St. 78520
 (956) 831-9377
 Fax (956) 831-7421

#4
VICTORIA, TX
 6812 N. US 59, 77905
 (361) 570-6666
 (361) 570-6688

Store #: 1 Date: 10/30/09

Acct #: _____ Tax / SS #: _____

Business: Hidalgo County Pct # 3

Individual: Joe Flores

Address: 400W. 13Th

City/St/Zip: Mission Texas 78572

Phone #: 956/585/4509 Fax #: _____

Cell #: Oscar 318/2626 Corp. LLC Pard. Ind.

PO #: Saul 607/5647 Job #: _____

Proposal for: **BuyBoard Quotation**

RENTAL Month/s Week/s Days

Start Date: _____ Rate \$: _____

Delivery \$: _____ Pick-up \$: _____

Payment: P. P. Cash Other *

Taxable: Yes No

SALE Finance Lease Cash

Term: Months % Rate Other*

Proposal good for: _____ Days

QUOTATION BELOW SUBJECT TO APPLICABLE TAXES

Qty	Make	Model	Serial No.	Description of Equipment / Include HOURS & YEAR Model	Sale Price of Unit/s
	Dynap	CA 152D	New	Smooth Drum Vibratory	\$ 144,527.00
				Cab/Air Pad Foot ShellKit	
				BuyBoard Dicount 20%	\$ (28,905.40)
				BuyBoard Contract # 268-07	
Total Selling Price Units (All) :					\$ 115,621.60
Stock Number :					
Extended Warranty :					\$ -

WARRANTY

Extended New Other*

Full Machine EPT + Hyd EPT

Term: Months: 24 Hours: 2500

Notes / *Other

Less Applicable Rent : \$ -

Less Trade-in Value : \$ -

Taxable Amount : \$ 115,621.60

Ad valorem Tax: 0.00000% \$ -

Sales / Fuel Tax: 0.00% \$ -

Less Down Payment : \$ -

Total Amount To Finance Or Pay Cash : \$ 115,621.60

Monthly Payments: _____

Salesman : RUDY LLAMAS

Customer : _____

Physical Address: _____

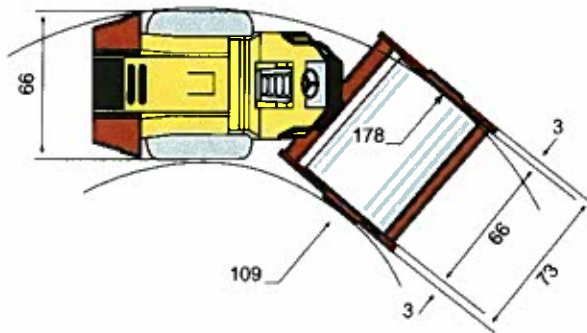
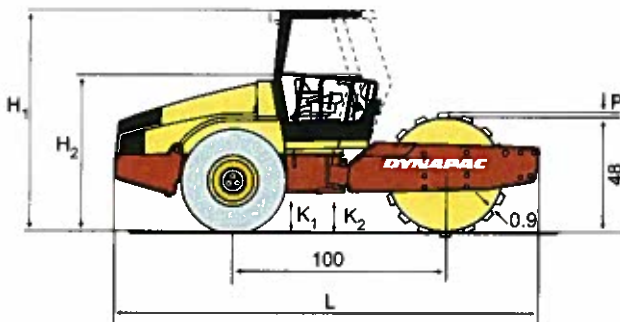
DYNAPAC

CA152

Single Drum Soil Compactor



Technical data



Weights (lbs)	CA 152	CA 152D	CA 152PD
Max. operating weight	20,065	20,285	19,405
Operating weight (incl. ROPS)	15,990	16,200	16,980
Front module weight	7,940	8,150	8,930
Rear module weight	8,050	8,050	8,050

Traction	CA152	CA152 D	CA152 PD
Speed range (mph)	0 - 12	0 - 6	0 - 4
Number of pads	-	-	132
Pad area (sq. in)	-	-	13
Vertical oscillation (°)	±9	±9	±9
Steering angle (°)	±38	±38	±38
Tire size (8 ply)	420/70 B24	420/70 B24	420/70 B24
Theor. gradeability (%)	40	55	55

Compaction	CA152	CA152 D	CA152 PD
Static linear load (pli)	120	123	-
Nominal amplitude, high/low (in)	0.066/0.033	0.066/0.033	0.068/0.034
Vibration frequency, at high/low amplitude (vpm)	1,860/2,580	1,860/2,580	1,860/2,580
Centrifugal force at high/low amplitude (lb)	25,650/24,525	25,650/24,525	32,175/30,600

Dimensions (in)	CA152	CA152 D	CA152 PD
H ₁	112	112	113
H ₂	81	81	81
K ₁	13	13	13
K ₂	14	14	16
L	188	188	192
P	-	-	3

Engine

Model	Cummins B4.5T
Type	Water cooled Turbo Diesel
Rated power, SAE J1995, @ 2,200 rpm, hp	99
Fuel tank capacity (gals)	59

Hydraulic system

Driving	Axial piston pump with variable displacement. Axial piston motor with variable displacement. Radial piston motor with constant displacement (D, PD).
Vibration	Axial piston pump with variable displacement. Axial piston motor with constant displacement.
Steering	Gear pump with constant displacement.
Service brake	Hydrostatic in forward and reverse lever.
Parking-/	Failsafe multidisc brake in rear axle.
Emergency brake	Failsafe multidisc brake in front drum motor (D,PD).

Standard equipment

- Adjustable seat
- Brake release system for towing
- Filler caps, vandal protected
- Fuel gauge
- Horn
- Hourmeter
- Hydraulic pressure check points
- Lifting points
- Limited slip, rear axle
- Lockable engine hood
- Lockable instrument panel cover
- Main battery switch
- ROPS/FOPS
- Rubber mounted operators platform
- Vibration, high/low amplitude
- Vibration, quick stop
- Warning-/Service indicators
- 3" seat belt

Dynapac Compaction, Paving & Milling, P.O. Box 615, Schertz, TX 78154, USA, Phone: +1 210 474 5770, Fax: +1 210 474 5750
 Dynapac Canada, 4050 B, Sladeview Crescent Mississauga, Ontario, L5L5Y5, Canada, Phone: +1 905 607 1170, Fax: +1 905 607 7921
 Dynapac Compaction Equipment AB, Box 504, SE-371 23 Karlskrona, Sweden, Phone: +46 455 30 60 00, Fax: +46 455 30 60 30

We reserve the right to change specifications without notice. Photos and illustrations do not always show standard versions of machines.
 The above information is a general description only, is not guaranteed and contains no warranties of any kind.

www.dynapac.com