

FURNITURE PROPOSAL

Quote# **HON QUOTE 10-142011-GV-1**

Bill To: HIDALGO CO. COURTHOUSE
139TH DISTRICT COURT
ATTN: PETE LOBATO

Ship To:

Customer Acct#	Department#	Sales Rep.	Ship VIA	Terms
		GARY VANDEVER		

QTY	MFG	Model#	Description & Details	Unit Price	Extended Price
HON TX MAS NUMBER 6-71111-60-11 CONTRACT NAME: HON TXMAS AB ABOUND					
1	HON	H10573.NN JR	60X30 DESK		368.14
3	HON	H2091.H.SR11.T PETE, SYLVIA, JR	EX. CHAIR	216.06	648.18
2	HON	H10579.NN PETE SYLVIA,	66X30 DESK SHELLS	223.17	446.34
1	HON	H105686X.NN PETE	RETURN SHELL 72X24		214.09
1	HON	H10533.NN PETE	STACK ON STORAGE 66X14 5		301.38
2	HON	H4022.N PETE SYLVIA	SLIDE AWAY KEYBOARD	46.82	93.64
3	HON	H10504.N PETE SYLVIA	FLOORSTANDING FULL HEIGHT PED F/F	210.93	632.79
1	HON	H105698.NN SYLVIA	20X42 BRIDGE		101.12
1	HON	H10541X.NN	72X24 CREDENZA SHELL		214.09
1	HON	H10534.NN SYLVIA	STACK ON STORAGE 72 X14 5/8		311.65
1	HON	H10502.N SYLVIA	B/B/F PEDESTAL		210.93
2	HON	H10503.N PETE, SYLVIA	LATERAL FILE	322.71	645.42
1	HON	H10508.N SYLVIA	CABINET PEDESTAL		238.58
1	HON	H10564.NN SYLVIA	CREDENZA SHELL 60X24		195.52
1	HON	H105290.NN SYLVIA	STORAGE CABINET		285.98
1	HON	H105856.N SYLVIA	BACK ENCLOSURE		71.49
1	HON	H90056.R05 SYLVIA	TACKBOARD		89.66
1	HON	H870960 SYLVIA	TASKLIGHT		58.38
			INSTALLATION		685.00
1	HON	HIWM1 JESSIE	TASK CHAIR FOR COURT ROOM		231.87
1	HON	H20191N JUDGE	EXEC. CHAIR		312.45

17
2
3
4
5
6
7
8
9
10
11
12
13
14
15
16
17
18
19

- Any applicable duties and taxes are not included.

Sub-Total	6,356.70
Tax	
Total	6,356.70
Down Payment	
Balance Due	

Please read carefully

Above listed product is special order. Special order products are non-cancelable and non-returnable once the factory has started production.

In the event of defect or damage on a special order product, the buyer agrees to afford Jones & Cook the opportunity to repair the flaw to the customer's satisfaction. If product is unable to be repaired, price reduction may be offered to the customer for consideration and approval. Otherwise, defective or damaged product will be replaced.

Standard deliveries and installations are made Monday through Friday from 8:00 am to 5:00 pm and does not include the relocation of existing furniture. Relocation of furniture and weekend deliveries are available for an additional charge.

If special order product arrives and customer is unable to accept delivery, the balance is due according to the agreed upon terms. Additionally, a storage fee may be assessed after the product has been stored by Jones & Cook for more than 30 days.

See attached sheet for additional terms & conditions

Accepted by: _____ Date: _____

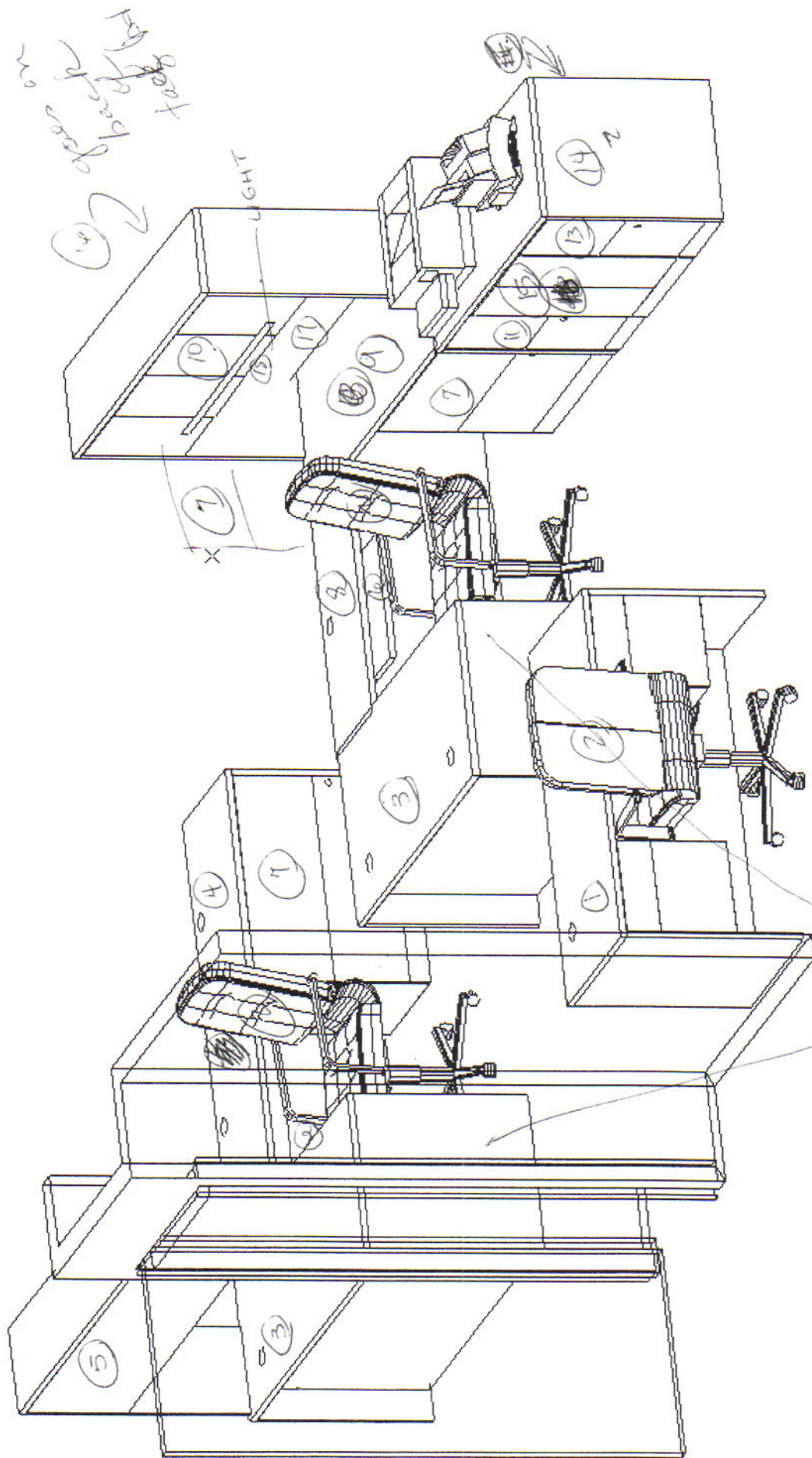
Printed Name & Title: _____

HIDALGO COUNTY, TEXAS
PURCHASING DEPARTMENT/FIXED ASSET DIVISION
PRORATION SYSTEM

Prepared by: _____
Date: 11/1/2011
Ref - PO #: _____

1		CREENZA SHELL 60 X 24	601	195.52	0.03	23.61	219.13	-	219.13
1		FLOORSTANDING FULL HEIGHT PED	601	210.93	0.04	25.48	236.41	-	236.41
1		FLOORSTANDING FULL HEIGHT PED	601	210.93	0.04	25.48	236.41	-	236.41
1		FLOORSTANDING FULL HEIGHT PED	601	210.93	0.04	25.48	236.41	-	236.41
1		72 X 24 CREENZA SHELL	601	214.09	0.04	25.86	239.95	-	239.95
1		B/B/F PEDESTAL	601	210.93	0.04	25.48	236.41	-	236.41
1				-	-	-	-	-	-
48		TOTAL		5,671.70	1.00	685.00	6,356.70	-	6,356.70

Summary	Object Code	Unit Cost	Instal Cost %	Installation Costs	Sub-Total	Credit Invoice	Total
Capital Equipment	743	902.29	0.16	108.97	1,011.26	-	1,011.26
Minor/Misc Eq.	661	2,397.45	0.42	289.55	2,687.00	-	2,687.00
Supplies	601	2,371.96	0.42	286.47	2,658.43	-	2,658.43
Total		5,671.70	1.00	685.00	6,356.70	-	6,356.70



Handwritten notes on the right side of the diagram:

- Front panel
- Back panel
- Light