



HOLT CAT Truck Center
 1320 South 25th Street
 Edinburg, TX 78539
 956-289-7600

Customer Proposal Letter

October 24, 2013

Thank you for the opportunity to earn your business.
 We look forward to working with you on your future business needs.
Please accept the following proposal.

CUSTOMER: Hidalgo County PCT #1
ADDRESS: 1902 Joe Stephens, Suite 101
CITY, STATE, ZIP Weslaco, TX 78596

NJPA CONTRACT#
 060311-CAT

CONTACT: Raul Lozano
PHONE: 956-968-8733
FAX:

VEHICLE BUYER'S ORDER

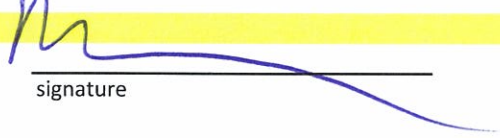
Make CAT Model CT660 Year 2014 Stock Number _____
 To be delivered on or about 1-2 Weeks Upon PO
 Vin # _____

ADDITIONAL VEHICLE & ACCESSORIES DESCRIPTION: Dump truck with 16' dump body from Truckers Equipment

Quantity	<u>2</u>	
Truck Price Per Unit	<u>\$114,838.82</u>	<u>\$229,677.64</u>
Roll-Off Hoist	<u>\$36,224.27</u>	<u>\$72,448.54</u>
12% F.E.T. (Factory & Dealer Paid)	<u>N/A</u>	<u>N/A</u>
Net Sales Price	<u>\$151,063.18</u>	<u>\$302,126.36</u>
Optional Extended Warranty(ies)	_____	_____
6.25% State Sales Tax	_____	_____
License, License Transfer, Registration Fee	_____	_____
Documentary Fee	_____	_____
1% Emissions Fee	_____	_____
Administration Fee	_____	_____
.0024170% Vehicle Inventory Tax	_____	_____
Additional Taxes	_____	_____
Out of State Vehicle Fee	_____	_____
Total Sales Price	<u>\$151,063.18</u>	<u>\$302,126.36</u>

Trade Allowance _____*

* See **DISCLAIMER** below

Sales Representative  _____
 signature printed name Mark Brunnemann

Purchaser _____
 signature printed name

_____ date

Quote good until 30 days

NOTES: Truck to include a Galbreath U75-IO-174 75,000lb Roll-Off Hoist

DISCLAIMER: Any order based on this Proposal subject to Customer executing Dealer's standard for Retail Purchase Order Incorporating above terms. Any documentary fees, state tax, title registration and license fees subject to adjustment and change. Actual F.E.T. to be paid by Dealer, subject to adjustment. Any F.E.T. variance will be responsibility of Dealer. Manufacturer has reserved the right to change the price to Dealer of any vehicle not currently in Dealer's stock, without notice to Dealer. If Quoted Vehicle(s) not currently in Dealers stock, Dealer reserves right to change Quotation Total to reflect any price increases from Manufacturer. This Proposal is based upon Dealer's current and expected inventory, which is subject to change. Dealer is not obligated to retain any specific vehicles in stock or maintain any specific inventory level. Dealer shall not be obligated to fulfill Proposal in event quoted vehicle(s) not in stock or available within requested delivery schedule at time Proposal accepted. Dealer shall not be liable for any delay in providing or inability to provide Quoted Vehicle(s), where such inability or delay is due, in whole or in part, to any cause beyond the reasonable control of Dealer or is without the gross negligence or intended misconduct of Dealer. Above listed Trade Value based upon current appraisal of Trade Vehicle(s). Dealer may adjust Trade Value of Trade Vehicle(s) to reflect changes in condition and/or mileage of Trade Vehicle(s) between date of current appraisal and acceptance of this Proposal by Customer.



1320 South 25th Street
Edinburg, TX 78539
(956) 289-7600
Fax (956) 383-6819

October 24, 2013

Governmental Contract Initiative (GOV-11-NJPA) with the National Joint Powers Alliance Contract – 060311-CAT.

Hidalgo County PCT #1
Raul Lozano
1902 Joe Stephens, Suite 101
Weslaco, TX 78596

Thank you for this opportunity to quote Caterpillar products for your business needs. We are pleased to quote the following for your purchase consideration.

One (2) New 2014 Cat Model CT660 Roll-Off Trucks with standard equipment in addition to the additional specifications listed in the attached detailed truck proposal.

NJPA Pricing

<u>Base Model</u>	<u>Part #</u>	<u>List Price</u>
CT660	Tractor	\$131,197.22
<u>Options</u>		
Optional Attachments		\$25,440.10
Sub Total		<u>\$156,637.32</u>
*NJPA Member Discount 23% + Holt Discount 10.5%		(\$52,473.50)
Machine Price with Discount applied		\$104,163.82
<u>Customer Invoice-Non-Discountable Items</u>		
Freight		\$2,025
Emissions Charge and Labels		\$8,000
On Board Diagnostics		\$650.00
Galbreath U75-I0-174 75,000LB Roll-Off Hoist		\$36,224.27
Sale Price		\$151,063.09 Per TRK
TOTAL FOR TWO(2) TRUCKS		\$302,126.18

Mark Brunnemann
Sales Representative
Direct (956) 289-7636
Cell (956) 330-0630
Mark.Brunnemann@holtcat.com

698210



January 30, 2013

Prepared For:
Roll-Off 908LL 54" B & C Body Spes
Reference ID: Roll-Off 908LL

Presented By:
HOLT TEXAS LTD.
Mark Mims
3302 S W W WHITE RD
SAN ANTONIO TX 78222 - 4843
(210)648-8343

We are pleased to have the opportunity to offer the following proposal for the application you requested.

Model Profile
2014 660S SBA 6x4 (CF7AA)

APPLICATION: Roll-On/Roll-off

MISSION: Requested GVWR: 65480. Calc. GVWR: 65480
Calc. Start / Grade Ability: 38.20% / 2.62% @ 55 MPH
Calc. Geared Speed: 85.1 MPH

FUEL ECONOMY: 6.39 MPG @ 55 MPH

DIMENSION: Wheelbase: 260.00, CA: 198.00, Axle to Frame: 61.00

ENGINE, DIESEL: {CT 13} EPA 10, 475 HP @ 1700 RPM, 1700 lb-ft Torque @ 1000 RPM, 2100 RPM Governed Speed, 475 Peak HP (Max)

TRANSMISSION, MANUAL: {Fuller RTO(F)-16908LL} 10-Speed Manual; Double Lo With Overdrive, Internal Lube Pump and With Air Shift

CLUTCH: {Eaton Fuller Easy-Pedal Advantage} Manual Adjust, Two-Plate, Cast Angle Spring; Ceramic, 15.5" Diameter, 7-Spring Damper, Mechanical Pull-Type Control, 1700 lb-ft Torque Capacity

AXLE, FRONT NON-DRIVING: {Meritor MFS-20-133A} Wide Track, I-Beam Type, 20,000-lb Capacity

AXLE, REAR, TANDEM: {Meritor RT-46-160P} Single Reduction, 46,000-lb Capacity, With Lube Pump, With Driver Controlled Locking Differential in Forward Rear and Rear Rear Axle and 200 Wheel Ends Gear Ratio: 4.10

CAB: Conventional

TIRE, FRONT: (2) 385/65R22.5 HTC1 (CONTINENTAL) 495 rev/mile, load range L, 20 ply

TIRE, REAR: (8) 11R22.5 HDC1 (CONTINENTAL) 488 rev/mile, load range H, 16 ply

SUSPENSION, REAR, TANDEM: {Hendrickson HMX-460-54} Walking Beam Type 54" Axle Spacing; 46,000-lb Capacity, With Rubber End Bushings, Transverse Torque Rods, Less Shock Absorbers

FRAME REINFORCEMENT: Outer "C" Channel, Heat Treated Alloy Steel (120,000 PSI Yield); 12.65" x 3.50" x 0.25"(321.0mm x 88.9mm x 6.35mm); 445.4" (11313mm) Maximum OAL

PAINT: Cab schematic 100KT
Location 1: 9221, Light Cameo White (Prem)
Chassis schematic N/A



Vehicle Specifications

January 30, 2013

2014 660S SBA 6x4 (CF7AA)

<u>Code</u>	<u>Description</u>
CF7AA00	Base Chassis, Model 660S SBA 6x4 with 260.00 Wheelbase, 198.00 CA, and 61.00 Axle to Frame.
1570	TOW HOOK, FRONT (2) Frame Mounted
1652	CROSSMEMBER, REAR Relocated to End of Frame
1DAV	FRAME RAILS High Strength Heat Treated Alloy Steel (120,000 PSI Yield); 12.00" x 3.25" x 0.25" (304.8mm x 82.6mm x 6.35mm); 478.1" (12143mm) Maximum OAL
1GDL	FRAME REINFORCEMENT Outer "C" Channel, Heat Treated Alloy Steel (120,000 PSI Yield); 12.65" x 3.50" x 0.25"(321.0mm x 88.9mm x 6.35mm); 445.4" (11313mm) Maximum OAL
1LBC	BUMPER, FRONT Multi-piece Stainless Steel
	<u>Includes</u> : FOG LIGHT OPENING (2) and with Rectangular Hole for Step
1WVT	WHEELBASE RANGE 230" (585cm) Through and Including 285" (725cm)
2ARY	AXLE, FRONT NON-DRIVING {Meritor MFS-20-133A} Wide Track, I-Beam Type, 20,000-lb Capacity
3ACS	SUSPENSION, FRONT, SPRING Multileaf, Shackle Type, Single Stage Spring; 20,000-lb Capacity; Less Shock Absorbers
	<u>Includes</u> : SPRING PINS Threaded
4091	BRAKE SYSTEM, AIR Dual System for Straight Truck Applications
	<u>Includes</u> : BRAKE LINES Color and Size Coded Nylon : DRAIN VALVE Twist-Type : DUST SHIELDS, FRONT BRAKE : DUST SHIELDS, REAR BRAKE : GAUGE, AIR PRESSURE (2) Air 1 and Air 2 Gauges; Located in Instrument Cluster : INVERSION VALVE Bendix SR-1 and Double Check Valve : PARKING BRAKE CONTROL Yellow Knob, Located on Instrument Panel : PARKING BRAKE VALVE For Truck : QUICK RELEASE VALVE Bendix On Rear Axle for Spring Brake Release: 1 for 4x2, 2 for 6x4 : SLACK ADJUSTERS, FRONT Automatic : SLACK ADJUSTERS, REAR Automatic : SWITCH, AUXILIARY Interrupter for Cab Clearance/Marker Lights (Blinks Lights with Headlight Switch in "ON" Position); Instrument Panel Mounted
	<u>Notes</u> : The following features should be considered when calculating Rear GAWR: Rear Axles; Rear Suspension; Brake System; Brakes, Rear Air Cam; Brake Shoes, Rear; Special Rating, GAWR; Wheels; Tires.
4193	BRAKES, FRONT, AIR CAM 16.5" x 6", Includes 24 SqIn Long Stroke Brake Chambers
4732	DRAIN VALVE {Berg} Manual; With Pull Chain, for Air Tank
	<u>Includes</u> : DRAIN VALVE Mounted in Wet Tank
4AZA	AIR BRAKE ABS {Bendix AntiLock Brake System} Full Vehicle Wheel Control System (4-Channel)
4EBS	AIR DRYER {Bendix AD-9} With Heater
	<u>Includes</u> : AIR DRYER LOCATION Inside Left Rail, Back of Cab
4ETE	BRAKE CHAMBERS, FRONT AXLE {Haldex} 24 SqIn
4EVL	BRAKE CHAMBERS, REAR AXLE {Haldex GC3030LHDHO} 30/30 Spring Brake



Vehicle Specifications

January 30, 2013

2014 660S SBA 6x4 (CF7AA)

<u>Code</u>	<u>Description</u>
4NDB	BRAKES, REAR, AIR CAM S-Cam; 16.5" x 7.0"; Includes 30/30 Sq.In. Long Stroke Brake Chamber and Spring Actuated Parking Brake
4SPM	AIR COMPRESSOR {Bendix} 15.9 CFM Capacity, Single Cylinder
4WCC	BRAKE PACKAGE, FRONT {Dana Spicer ES-165-6} Air, Cam Type, Extended Service; Size 16.5" x 6", Includes Automatic Slack Adjusters
4WCD	BRAKE PACKAGE, REAR {Dana Spicer ES-165-7} Air, Cam Type, Extended Service; Size 16.5" x 7", Includes Automatic Slack Adjusters
5710	STEERING COLUMN Tilting and Telescoping
5PTB	STEERING GEAR (2) {Sheppard M-100/M-80} Dual Power
5WBH	STEERING WHEEL {Caterpillar} 2-Spoke, 18" Diam., Dark Neutral, Leather Wrapped
7BDS	EXHAUST SYSTEM Single, Vertical Aftertreatment Device Frame Mounted Right Side; Includes Vertical Tail Pipe & Guard <u>Includes</u> : EXHAUST HEIGHT 10' Exhaust Height - Based on Empty Chassis with Standard Components (+ or - 1" Height) : MUFFLER/TAIL PIPE GUARD Non-Bright Finish
7WBA	TAIL PIPE (1) Turnback Type, Bright, for Single Exhaust
7WBS	MUFFLER/TAIL PIPE GUARD (1) Bright Stainless Steel
7WZY	SWITCH, FOR EXHAUST 2 Position, Lighted & Latching, ON/OFF Type, Mounted in IP, Inhibits Diesel Particulate Filter Regeneration as Long as Switch is in ON Position
8000	ELECTRICAL SYSTEM 12-Volt, Standard Equipment <u>Includes</u> : BATTERY BOX Aluminum : CIGAR LIGHTER Includes Ash Cup, Center Console Mounted : FUSES, ELECTRICAL SAE Blade-Type : HAZARD SWITCH Integral with Turn Signal Switch : HEADLIGHT DIMMER SWITCH Integral with Turn Signal Lever : HEADLIGHTS (2) Composite with Halogen Projector Beam : HORN, AIR Single, Chrome : HORN, ELECTRIC Single : PARKING LIGHT Integral with Front Turn Signal and Rear Tail Light : READING LIGHT, CAB (2) with Individual Switches; One Above Each Door : STARTER SWITCH Electric, Key Operated : STOP, TURN, TAIL & B/U LIGHTS Dual, Rear, Combination with Reflector : TURN SIGNAL FLASHER : TURN SIGNAL SWITCH Manual Cancelling with Lane Change Feature : TURN SIGNALS, FRONT Includes Integral Reflectors and Side Marker Lights; Fender Mounted : WINDSHIELD WIPER SWITCH 2-Speed with Wash, Steering Column Mounted : WINDSHIELD WIPERS Single Motor, Electric, Cowl Mounted : WIRING, CHASSIS Color Coded and Continuously Numbered
8653	HORN, AIR Single, Located Under Cab
8718	POWER SOURCE Cigar Type Receptacle without Plug and Cord
8GGN	ALTERNATOR {Bosch LH160} Brush Type, 12 Volt 160 Amp. Capacity, Pad Mount
8HAB	BODY BUILDER WIRING Back of Standard Cab at Left Frame or Under Extended or Crew Cab at Left Frame; Includes Sealed Connectors for Tail/Amber Turn/Marker/ Backup/Accessory Power/Ground and Sealed Connector for Stop/Turn



Vehicle Specifications

January 30, 2013

2014 660S SBA 6x4 (CF7AA)

<u>Code</u>	<u>Description</u>
8MMJ	BATTERY SYSTEM {Caterpillar} (3) 12 Volt 2130CCA Total
8RKW	ANTENNA BASE (2) Single Function, (1) for CB and (1) for Entertainment Radio, Without Splitter, Separate Lead-Ins, With CB Antenna Mounted on Right Mirror and AM/FM Antenna Mounted on Left Mirror
8RKX	RADIO Red Display, AM/FM/CD/WB/Clock with Alarm, Front & Rear Aux Input, USB Input, iPod Command and Control, With Multiple Speakers <u>Includes</u> : SPEAKERS IN CAB (4) Coaxial
8WCK	POWER SOURCE, TERMINAL TYPE 2-Post
8WEZ	TURN SIGNAL SWITCH Self-Canceling
8WKG	BATTERY BOX Aluminum With Aluminum Cover, 30" Wide, 2, 3 or 4 Battery Capacity, Mounted Right Side Under Cab
8WNH	RUNNING LIGHT (2) Daytime
8WXG	STARTING MOTOR {Mitsubishi Electric Automotive America 105P} 12-Volt, with Soft-Start
8XAH	CIRCUIT BREAKERS Manual-Reset (Main Panel) SAE Type III With Trip Indicators, Replaces All Fuses Except For 5-Amp Fuses
9ASE	FRONT END Tilting Composite <u>Includes</u> : GRILLE SURROUND Brushed Stainless Steel
9HAN	INSULATION, UNDER HOOD for Sound Abatement
9HBN	INSULATION, SPLASH PANELS for Sound Abatement
10060	PAINT SCHEMATIC, PT-1 Single Color, Design 100
10761	PAINT TYPE Base Coat/Clear Coat, 1-2 Tone
10769	PAINT CLASS Premium Color
10UAB	VEHICLE REGISTRATION IDENTITY ID for US States EXCLUDING: California, Connecticut, Delaware, Georgia, Maine, Massachusetts, New Jersey, New York, North Carolina, Pennsylvania
11MGZ	CLUTCH {Eaton Fuller Easy-Pedal Advantage} Manual Adjust, Two-Plate, Cast Angle Spring; Ceramic, 15.5" Diameter, 7-Spring Damper, Mechanical Pull-Type Control, 1700 lb-ft Torque Capacity <u>Includes</u> : CLUTCH RELEASE BEARING Greasable
11WAE	GREASE FITTINGS Remote; for Clutch Cross Shaft
12864	BLOCK HEATER, ENGINE {Phillips} 120 Volt/1500 Watt
12KWZ	ENGINE, DIESEL {CT 13} EPA 10, 475 HP @ 1700 RPM, 1700 lb-ft Torque @ 1000 RPM, 2100 RPM Governed Speed, 475 Peak HP (Max)
12THT	FAN DRIVE {Horton Drivemaster} Direct Drive Type, Two Speed With Residual Torque Device for Disengaged Fan Speed
12UBH	RADIATOR Aluminum; Welded, Front to Back Down Flow System, 1564 SqIn, 1572 SqIn Dual CAC, 1293 SqIn 3 Core LTR
12VBT	AIR CLEANER Single Element, Heavy Duty
12VED	FEDERAL EMISSIONS for 2010; CT 13 Engines
12WBR	FAN OVERRIDE Manual; With Electric Switch on Instrument Panel, (Fan On With Switch On)



2014 660S SBA 6x4 (CF7AA)

<u>Code</u>	<u>Description</u>
12WCX	HOSE CLAMPS, RADIATOR HOSES {Gates} Shrink Band Type
12WEG	COLD STARTING EQUIPMENT Automatic; With Engine ECM Control
12WTA	FAN DRIVE SPECIAL EFFECTS Fan Cooling Ring with Fan Shroud Effects, Engine Mounted
12WZE	EMISSION COMPLIANCE Federal, Does Not Comply With California Clean Air Idle Regulations
12XAN	OBD COMPLIANCE for 2013 OBD
13GHX	TRANSMISSION, MANUAL {Fuller RTO(F)-16908LL} 10-Speed Manual; Double Lo With Overdrive, Internal Lube Pump and With Air Shift <u>Includes</u> : CLUTCH BRAKE Torque Limiting : FILL PLUG, MAGNETIC
13WGJ	OIL COOLER,MANUAL TRANSMISSION Water to Oil Type Included in Radiator End Tank (REQUIRES TRANSMISSION LUBE PUMP)
13WLB	TRANSMISSION OIL {EmGard 50W} Synthetic; 22 thru 33.99 Pints
13WWD	PTO CONTROL, DASH MOUNTED For Customer Provided PTO; Includes Control Valve, Piping and Wiring, Wired for PTO
14862	PDL WARNING BUZZER Power Divider Lock
14HRL	AXLE, REAR, TANDEM {Meritor RT-46-160P} Single Reduction, 46,000-lb Capacity, With Lube Pump, With Driver Controlled Locking Differential in Forward Rear and Rear Rear Axle and 200 Wheel Ends . Gear Ratio: 4.10 <u>Includes</u> : POWER DIVIDER LOCK Air Operated, Cab Control with Indicator Light in Cluster : REAR AXLE DRAIN PLUG (2) Magnetic, For Tandem Rear Axle
14ULY	SUSPENSION, REAR, TANDEM {Hendrickson HMX-460-54} Walking Beam Type 54" Axle Spacing; 46,000-lb Capacity, With Rubber End Bushings, Transverse Torque Rods, Less Shock Absorbers <u>Includes</u> : CROSSMEMBER, SUSPENSION Stamped Steel Double Dogbone <u>Notes</u> : The following features should be considered when calculating Rear GAWR: Rear Axles; Rear Suspension; Brake System; Brakes, Rear Air Cam; Brake Shoes, Rear; Special Rating, GAWR; Wheels; Tires.
14WAL	SUSPENSION/REAR-AXLE IDENTITY for Meritor Tandem Rear Axles With Bar-Pin Beam Attachment Type Suspensions
14WBN	DIFF. SWITCH CONTROLS Two Independent Switches for Control Traction Differentials on Tandem Rear Axles, Mounted on Dash
14WLE	AXLE, REAR, LUBE {EmGard 75W-90} Synthetic Oil; 65 thru 89.99 Pints
15LKU	FUEL/WATER SEPARATOR {Racor} Fuel Pre-Filter and Filter Base, Includes Water-In-Fuel Sensor
15SSK	FUEL TANK Polished Aluminum, 24" Diam.; 100 U.S. Gal., 378 L Capacity Mounted Left Side Under Cab
16031	CAB Conventional <u>Includes</u> : COAT HOOK, CAB Located on Rear Wall, Behind Passenger Seat : CONSOLE, CENTER Plastic, Driver Convenience with a Cup and Change Holder, Ash Tray and Lower Storage Area : DOME LIGHT, CAB (2) Driver and Passenger Dome Lights with Individual Switches, in Headliner : DOOR CHECK STRAP (2) One Each Door : GLASS, ALL WINDOWS Tinted



2014 660S SBA 6x4 (CF7AA)

<u>Code</u>	<u>Description</u>
	: GRAB HANDLE, CAB INTERIOR (1) "A" Pillar Mounted, Passenger Side : GRAB HANDLE, EXTERIOR (2) Mounted Behind Driver and Passenger Doors : INTERIOR SHEET METAL Upper Door (Above Window Ledge) Painted Exterior Color : SKIN Riveted : STEP (4) Two Steps Per Door
16HBA	GAUGE CLUSTER English With English Electronic Speedometer
16HGL	GAUGE, OIL TEMP, REAR AXLE
16HKB	GAUGE, MANIFOLD PRESSURE Data Link Driven; Mounted in Instrument Panel, Includes Controller Module
16JPD	SEAT, DRIVER {National 2000 Model 195} Air Suspension, High Back, Vinyl Boxing With Cloth Facing, 2 Arm Rests, Isolator, Adjuster, 3 Chamber Lumbar, 6 Position Front Cushion Adjust, 3 Position Rear Cushion Adj, 2-15 Degree Back Angle Adjust, Vinyl Suspension Cover
16RAN	SEAT, PASSENGER {National 2000 Model 192} Non Suspension, High Back, Vinyl Boxing With Cloth Facing, 11 Degree Back Angle Adjust
16SKU	MIRRORS (2) {Lang Mekra} Aero; Rectangular, 7.09" x 15.75" & Integral Convex Both Sides, 102" Inside Spacing, Breakaway Type, Heated Heads Thermostat Controlled, Power Both Sides, Amber Lens Clearance Light LED, Black Painted Finish Heads, Brackets & Arms
16VRT	HEATER, ENHANCED CIRCULATION {Bergstrom} Control, for Extreme Cold Weather Climates
16VTH	CAB INTERIOR TRIM Premium Level; for Caterpillar, Day Cab
	<u>Includes</u> : "A" PILLAR COVER Molded Plastic : CAB INTERIOR TRIM PANELS Vinyl : CONSOLE, OVERHEAD Molded Plastic with Three Storage Pockets; One with Strap for CB Radio Mounting; Two with Netting, Courtesy Lights with Switches : COURTESY LIGHT (2) Driver and Passenger Door Mounted : DOOR TRIM PANELS Vinyl Upper with Power Locks and Windows, Upper and Lower Grab Handles, Both Sides : FLOOR COVERING Rubber, Black : HEADLINER Soft Padded Vinyl : HEATER BOX Metal, Painted Black : INSTRUMENT PANEL TRIM Vinyl : MIRROR, CONVEX, LOOK DOWN Black Finish; 6" x 10-1/4"; Located on Passenger Side : STORAGE POCKET, DOOR (2) Driver and Passenger Door : SUN VISOR (2) Vinyl with Molded Toll Ticket Retainer
16VZA	WINDOW, REAR 52.25" Wide
16WAK	WINDOW, POWER (2) in Left and Right Doors
16WJG	CAB DOOR LOCKS Power
16WKB	AIR CONDITIONER {International Blend-Air} With Integral Heater & Defroster
16WKR	WINDSHIELD Single Piece
16WLD	CAB REAR SUSPENSION {Link Z9079D1} Dual Frame Mounted Cab Rear Air Suspension; Includes Special Crossmember Assembly
16XWD	SUNSHADE, EXTERIOR Aerodynamic, Painted Roof Color; Includes Integral Clearance/Marker Lights
16ZDU	GRAB HANDLE Exterior; Towel Bar Type In Lieu Of Non-Bright Grab Handles; for use with Cab or Cab/Sleeper Non-Bright Access, Without Frame Access or Chassis Skirts
27DHJ	WHEELS, FRONT DISC; 22.5" Polished Aluminum, 10-Stud (285.75MM BC) Hub Piloted, Flanged Nut, Metric Mount, 12.25 DC Rims; With Steel Hubs



Vehicle Specifications

January 30, 2013

2014 660S SBA 6x4 (CF7AA)

Code
28DRN

Description

WHEELS, REAR DUAL DISC; 22.5" Painted Steel, 5 Hand Hole, 10-Stud (285.75MM BC) Hub Piloted, Flanged Nut, Metric Mount, 8.25 DC Rims; With .472" Thick Increased Capacity Disc and Steel Hubs

Includes

: PAINT IDENTITY, REAR WHEELS White

29WLA

WHEEL BEARING, FRONT, LUBE {EmGard 50W} Synthetic Oil

7382135420

(8) TIRE, REAR 11R22.5 HDC1 (CONTINENTAL) 488 rev/mile, load range H, 16 ply

7792655412

(2) TIRE, FRONT 385/65R22.5 HTC1 (CONTINENTAL) 495 rev/mile, load range L, 20 ply

1

Galbreath U75-IO-174 75,000# Capacity Roll-Off Hoist W/ Inside / Outside Rails, Capable Of Loading 22ft. Containers, W/ Inside Air Controls, Outside Manual Controls, 48" Tool Box, Steel Diamond Tread Plate Fenders, Air Shift PTO W/Direct Mount Pump, Approach Ramps w/ Ratchet Hold Straps, Huck Bolt Mounted & Painted Black. Pioneer Rack & Pinion RP 4500 SARG, Adjustable Gantry Tarper, Painted Black

2

5 pound Fire Extinguisher with "ABC" Rating.

DOT Approved 3 peice bright orange reflective Triangle Reflector Kit in storage case.

3

Set of 2 Holt Cat mud flaps



Dealer / Office

HOLT TEXAS LTD.
PO Box 207916
78220-7916

Phone : (1) (210) 648-1111

e-mail : Mark.Mims@Holtcat.com

ITEM	AI	QTY	MATERIAL	DESCRIPTION	L/N	LIST PRICE	NET PRICE
100	I	1	CF7AA	CT660 SBA 116" BBC 6X4 AXLE			
	I	1	0001570_I	HOOK AR-TOW (0001570)		372.38	
	I	1	0001652_I	CROSSMEMBER AR (0001652)		234.14	
	I	1	0001DAV_I	FRAME AR-RAILS (0001DAV)		219.73	
	I	1	0001GDL_I	FRAME AR-REINF (0001GDL)		1,912.60	
	I	1	0001LBC_I	BUMPER AR-FRONT (0001LBC)		V/I	
	I	1	0001WVT_I	WHEELBASE AR (0001WVT)		1,090.23	
	I	1	0002ARY_I	AXLE AR-FRONT (0002ARY)		2,105.21	
	I	1	0003ACS_I	SUSPENSION AR-FR (0003ACS)		207.83	
	I	1	0004091_I	BRAKE AR-AIR SYS (0004091)		V/I	
	I	1	0004193_I	BRAKE AR-AIR FR (0004193)		V/I	
	I	1	0004732_I	DRAIN AR-VALVE (0004732)		V/I	
	I	1	0004AZA_I	BRAKE AR-ABS (0004AZA)		V/I	
	I	1	0004EBS_I	DRYER AR-AIR HTR (0004EBS)		V/I	
	I	1	0004ETE_I	BRAKE AR-CHAMBER (0004ETE)		11.65	
	I	1	0004EVL_I	BRAKE AR-CHAMBER (0004EVL)		V/I	
	I	1	0004NDB_I	BRAKE AR-AIR RR (0004NDB)		V/I	
	I	1	0004SPM_I	COMPR AR-AIR (0004SPM)		V/I	
	I	1	0004WCC_I	BRAKE AR-FRT PKG (0004WCC)		335.72	
	I	1	0004WCD_I	BRAKE AR-RR PKG (0004WCD)		574.70	
	I	1	CF7AA00_I	SBA 116' BBC 6X4 AXLE		131,197.22	<i>TRK</i>
	I	1	PRODLNK_I	PRODUCT LINK		V/I	
	I	1	0005710_I	STEERING AR-COL (0005710)		V/I	
	I	1	0005PTB_I	STEERING AR-GEAR (0005PTB)		1,047.23	
	I	1	0005WBH_I	STEERING AR-WHEEL (0005WBH)		V/I	
	I	1	0007BDS_I	EXHAUST AR-SYS (0007BDS)		V/I	
	I	1	0007WBA_I	PIPE AR-TAIL (0007WBA)		84.21	
	I	1	0007WBS_I	MUFFLER AR-TAIL PP (0007WBS)		119.15	
	I	1	0007WZY_I	SWITCH AR-EXH (0007WZY)		42.57	
	I	1	0008000_I	ELECTRICAL AR (0008000)		V/I	
	I	1	0008653_I	HORN AR-AIR (0008653)		V/I	
	I	1	0008718_I	POWER AR-SOURCE (0008718)		V/I	
	I	1	0008GGN_I	ALTERNATOR AR (0008GGN)		V/I	
	I	1	0008HAB_I	WIRING AR-BODY (0008HAB)		82.24	
	I	1	0008MMJ_I	BATTERY AR (0008MMJ)		V/I	
	I	1	0008RKW_I	ANTENNA AR-BASE (0008RKW)		V/I	
	I	1	0008RKX_I	RADIO AR (0008RKX)		167.52	
	I	1	0008WCK_I	POWER AR-SOURCE (0008WCK)		V/I	
	I	1	0008WEZ_I	SWITCH AR-TURN (0008WEZ)		V/I	
	I	1	0008WKG_I	BOX AR-BATTERY (0008WKG)		V/I	
	I	1	0008WNH_I	LIGHT AR (0008WNH)		V/I	



Dealer / Office

HOLT TEXAS LTD.
PO Box 207916
78220-7916

Phone : (1) (210) 648-1111

e-mail : Mark.Mims@Holtcat.com

ITEM	AI	QTY	MATERIAL	DESCRIPTION	L/N	LIST PRICE	NET PRICE
I		1	0008WXG_I	MOTOR AR-STG (0008WXG)			V/I
I		1	0008XAH_I	CIRCUIT AR-BRKR (0008XAH)		88.69	
I		1	0009HBN_I	INSULN AR-PANEL (0009HBN)		65.36	
I		1	0010060_I	PAINT AR-SCHEMATIC (0010060)			V/I
I		1	0010761_I	PAINT AR-TYPE (0010761)			V/I
I		1	0010769_I	PAINT AR-CLASS (0010769)		203.18	
I		1	0010UAB_I	REGISTRATION AR(0010UAB)			V/I
I		1	0011MGZ_I	CLUTCH AR (0011MGZ)			V/I
I		1	0011WAE_I	FITTING AR (0011WAE)		29.99	
I		1	0012864_I	ENGINE AR-BLK (0012864)		86.11	
I		1	0012KWZ_I	ENGINE AR-DIESEL (0012KWZ)		3,092.42	
I		1	0012THT_I	FAN AR-DRIVE (0012THT)			V/I
I		1	0012UBH_I	RADIATOR - ALUMINUM (0012UBH)			V/I
I		1	0012VBT_I	FITTING AR (0012VBT)			V/I
I		1	0012WBR_I	FAN AR-OVERRIDE (0012WBR)		28.06	
I		1	0012WCX_I	HOSE AR-CLAMP (0012WCX)		29.99	
I		1	0012WEG_I	EQUIPMENT AR (0012WEG)			V/I
I		1	0012WTA_I	FAN AR-DRIVE (0012WTA)			V/I
I		1	0009ASE_I	END AR-FRONT (0009ASE)			V/I
I		1	0009HAN_I	INSULN AR-HOOD (0009HAN)		143.62	
I		1	0013GHX_I	XMSN AR-MANUAL (0013GHX)		2,131.08	
I		1	0013WGJ_I	XMSN AR-MANUAL (0013WGJ)		211.88	
I		1	0013WLB_I	XMSN AR-OIL (0013WLB)		101.23	
I		1	0013WVD_I	CONTROL AR-PTO (0013WVD)		53.75	
I		1	0014862_I	BUZZER AR-WRN (0014862)		26.88	
I		1	0014HRL_I	AXLE AR-REAR (0014HRL)		5,421.58	
I		1	0014ULY_I	SUSPENSION AR-RR (0014ULY)		566.17	
I		1	0014WAL_I	SUSPENSION AR-RR (0014WAL)		171.10	
I		1	0014WBN_I	CONT AR-DIFF SW (0014WBN)		256.39	
I		1	0014WLE_I	AXLE AR-RR LUB (0014WLE)		203.82	
I		1	0015LKU_I	FILTER AR-FUEL (0015LKU)			V/I
I		1	0015SSK_I	TANK AR-FUEL (0015SSK)		878.81	
I		1	0016031_I	CAB AR (0016031)			V/I
I		1	0016HBA_I	GAUGE AR-CLUSTER (0016HBA)			V/I
I		1	0016HGL_I	GAUGE AR-TEMP (0016HGL)		85.14	
I		1	0016HKB_I	GAUGE AR-MANF (0016HKB)		83.42	
I		1	0016JPD_I	SEAT AR-DRIVER (0016JPD)		99.76	
I		1	0016RAN_I	SEAT AR (0016RAN)		499.88	
I		1	0016SKU_I	MIRROR AR (0016SKU)		43.00	
I		1	0016VRT_I	HEATER AR (0016VRT)			V/I
I		1	0016VTH_I	CAB AR-INTERIOR (0016VTH)			V/I



Dealer / Office

HOLT TEXAS LTD.
PO Box 207916
78220-7916

Phone : (1) (210) 648-1111

e-mail : Mark.Mims@Holtcat.com

ITEM	AI	QTY	MATERIAL	DESCRIPTION	L/N	LIST PRICE	NET PRICE
I		1	0016VZA_I	WINDOW AR-REAR (0016VZA)			V/I
I		1	0016WAK_I	WINDOW AR-POWER (0016WAK)			V/I
I		1	0016WJG_I	CAB AR-LK (DOOR) (0016WJG)			V/I
I		1	0016WKB_I	AIR CONDR AR (0016WKB)			V/I
I		1	0016WKR_I	WINDSHIELD AR (0016WKR)			V/I
I		1	0016WLD_I	CAB AR-SUSP (RR) (0016WLD)			V/I
I		1	0016XWD_I	SUNSHADE AR (0016XWD)			V/I
I		1	0016ZDU_I	HANDLE AR-GRAB (0016ZDU)		29.03	
I		1	0027DHJ_I	WHEEL AR-FRONT (0027DHJ)		840.29	
I		1	0028DRN_I	WHEEL AR-REAR (0028DRN)		397.32	
I		1	0029WLA_I	BEARING AR-WHL (0029WLA)		21.50	
I		1	0012VED_I	EMISSION AR-FED (0012VED)			8,000.00
I		1	0012WZE_I	EMISSION AR (0012WZE)			V/I
I		1	0012XAN_I	COMPLIANCE AR (0012XAN)			650.00

With the following configuration:

Cat CT660 North American Truck	HOOK AR-TOW (0001570)
Cat CT660 North American Truck	CROSSMEMBER AR (0001652)
Cat CT660 North American Truck	FRAME AR-RAILS (0001DAV)
Cat CT660 North American Truck	FRAME AR-REINF (0001GDL)
Cat CT660 North American Truck	BUMPER AR-FRONT (0001LBC)
Cat CT660 North American Truck	WHEELBASE AR (0001WVT)
Cat CT660 North American Truck	AXLE AR-FRONT (0002ARY)
Cat CT660 North American Truck	SUSPENSION AR-FR (0003ACS)
Cat CT660 North American Truck	BRAKE AR-AIR SYS (0004091)
Cat CT660 North American Truck	BRAKE AR-AIR FR (0004193)
Cat CT660 North American Truck	DRAIN AR-VALVE (0004732)
Cat CT660 North American Truck	BRAKE AR-ABS (0004AZA)
Cat CT660 North American Truck	DRYER AR-AIR HTR (0004EBS)
Cat CT660 North American Truck	BRAKE AR-CHAMBER (0004ETE)
Cat CT660 North American Truck	BRAKE AR-CHAMBER (0004EVL)
Cat CT660 North American Truck	BRAKE AR-AIR RR (0004NDB)
Cat CT660 North American Truck	COMPR AR-AIR (0004SEPM)
Cat CT660 North American Truck	BRAKE AR-FRT PKG (0004WCC)
Cat CT660 North American Truck	BRAKE AR-RR PKG (0004WCD)
Cat CT660 North American Truck	STEERING AR-COL (0005710)
Cat CT660 North American Truck	STEERING AR-GEAR (0005PTB)
Cat CT660 North American Truck	STEERING AR-WHEEL (0005WBH)
Cat CT660 North American Truck	EXHAUST AR-SYS (0007BDS)
Cat CT660 North American Truck	PIPE AR-TAIL (0007WBA)
Cat CT660 North American Truck	MUFFLER AR-TAIL PP (0007WBS)
Cat CT660 North American Truck	SWITCH AR-EXH (0007WZY)



Dealer / Office

HOLT TEXAS LTD.
PO Box 207916
78220-7916

Phone : (1) (210) 648-1111

e-mail : Mark.Mims@Holtcat.com

ITEM	AI	QTY	MATERIAL	DESCRIPTION	L/N	LIST PRICE	NET PRICE
			Cat CT660 North American Truck	ELECTRICAL AR (0008000)			
			Cat CT660 North American Truck	HORN AR-AIR (0008653)			
			Cat CT660 North American Truck	POWER AR-SOURCE (0008718)			
			Cat CT660 North American Truck	ALTERNATOR AR (0008GGN)			
			Cat CT660 North American Truck	WIRING AR-BODY (0008HAB)			
			Cat CT660 North American Truck	BATTERY AR (0008MMJ)			
			Cat CT660 North American Truck	ANTENNA AR-BASE (0008RKW)			
			Cat CT660 North American Truck	RADIO AR (0008RKX)			
			Cat CT660 North American Truck	POWER AR-SOURCE (0008WCK)			
			Cat CT660 North American Truck	SWITCH AR-TURN (0008WEZ)			
			Cat CT660 North American Truck	BOX AR-BATTERY (0008WKG)			
			Cat CT660 North American Truck	LIGHT AR (0008WNH)			
			Cat CT660 North American Truck	MOTOR AR-STG (0008WXG)			
			Cat CT660 North American Truck	CIRCUIT AR-BRKR (0008XAH)			
			Cat CT660 North American Truck	END AR-FRONT (0009ASE)			
			Cat CT660 North American Truck	INSULN AR-HOOD (0009HAN)			
			Cat CT660 North American Truck	INSULN AR-PANEL (0009HBN)			
			Cat CT660 North American Truck	PAINT AR-SCHEMATIC (0010060)			
			Cat CT660 North American Truck	PAINT AR-TYPE (0010761)			
			Cat CT660 North American Truck	PAINT AR-CLASS (0010769)			
			Cat CT660 North American Truck	REGISTRATION AR(0010UAB)			
			Cat CT660 North American Truck	CLUTCH AR (0011MGZ)			
			Cat CT660 North American Truck	FITTING AR (0011WAE)			
			Cat CT660 North American Truck	ENGINE AR-BLK (0012864)			
			Cat CT660 North American Truck	ENGINE AR-DIESEL (0012KWZ)			
			Cat CT660 North American Truck	FAN AR-DRIVE (0012THT)			
			Cat CT660 North American Truck	RADIATOR - ALUMINUM (0012UBH)			
			Cat CT660 North American Truck	FITTING AR (0012VBT)			
			Cat CT660 North American Truck	EMISSION AR-FED (0012VED)			
			Cat CT660 North American Truck	FAN AR-OVERRIDE (0012WBR)			
			Cat CT660 North American Truck	HOSE AR-CLAMP (0012WCX)			
			Cat CT660 North American Truck	EQUIPMENT AR (0012WEG)			
			Cat CT660 North American Truck	FAN AR-DRIVE (0012WTA)			
			Cat CT660 North American Truck	EMISSION AR (0012WZE)			
			Cat CT660 North American Truck	COMPLIANCE AR(0012XAN)			
			Cat CT660 North American Truck	XMSN AR-MANUAL (0013GHX)			
			Cat CT660 North American Truck	XMSN AR-MANUAL (0013WGJ)			
			Cat CT660 North American Truck	XMSN AR-OIL (0013WLB)			
			Cat CT660 North American Truck	CONTROL AR-PTO (0013WVD)			
			Cat CT660 North American Truck	BUZZER AR-WRN (0014862)			
			Cat CT660 North American Truck	AXLE AR-REAR (0014HRL)			



Dealer / Office
 HOLT TEXAS LTD.
 PO Box 207916
 78220-7916

 Phone : (1) (210) 648-1111

 e-mail : Mark.Mims@Holtcat.com

ITEM	AI	QTY	MATERIAL	DESCRIPTION	L/N	LIST PRICE	NET PRICE
			Cat CT660 North American Truck	SUSPENSION AR-RR (0014ULY)			
			Cat CT660 North American Truck	SUSPENSION AR-RR (0014WAL)			
			Cat CT660 North American Truck	CONT AR-DIFF SW (0014WBN)			
			Cat CT660 North American Truck	AXLE AR-RR LUB (0014WLE)			
			Cat CT660 North American Truck	FILTER AR-FUEL (0015LKU)			
			Cat CT660 North American Truck	TANK AR-FUEL (0015SSK)			
			Cat CT660 North American Truck	CAB AR (0016031)			
			Cat CT660 North American Truck	GAUGE AR-CLUSTER (0016HBA)			
			Cat CT660 North American Truck	GAUGE AR-TEMP (0016HGL)			
			Cat CT660 North American Truck	GAUGE AR-MANF (0016HKB)			
			Cat CT660 North American Truck	SEAT AR-DRIVER (0016JPD)			
			Cat CT660 North American Truck	SEAT AR (0016RAN)			
			Cat CT660 North American Truck	MIRROR AR (0016SKU)			
			Cat CT660 North American Truck	HEATER AR (0016VRT)			
			Cat CT660 North American Truck	CAB AR-INTERIOR (0016VTH)			
			Cat CT660 North American Truck	WINDOW AR-REAR (0016VZA)			
			Cat CT660 North American Truck	WINDOW AR-POWER (0016WAK)			
			Cat CT660 North American Truck	CAB AR-LK (DOOR) (0016WJG)			
			Cat CT660 North American Truck	AIR CONDR AR (0016WKB)			
			Cat CT660 North American Truck	WINDSHIELD AR (0016WKR)			
			Cat CT660 North American Truck	CAB AR-SUSP (RR) (0016WLD)			
			Cat CT660 North American Truck	SUNSHADE AR (0016XWD)			
			Cat CT660 North American Truck	HANDLE AR-GRAB (0016ZDU)			
			Cat CT660 North American Truck	WHEEL AR-FRONT (0027DHJ)			
			Cat CT660 North American Truck	WHEEL AR-REAR (0028DRN)			
			Cat CT660 North American Truck	BEARING AR-WHL (0029WLA)			
			Distribution channel	C1			
			MATERIAL NUMBER	CF7AA			
			CT660 NAT BASE CHASSIS	SBA 116' BBC 6X4 AXLE			
			Sales organization	M901			
			PRODUCT LINK	PRODUCT LINK			
			Sub-items 101 to 196 belong to item 100				
101	I	1	3763214	CF7AA - BASE CHASSIS			
102	I	1	3963796	REGISTRATION AR			
103	I	1	4308958	COMPLIANCE AR			
104	I	1	4308959	WHEEL AR-FR DISC			
105	I	1	3730922	AIR CONDR AR			
106	I	1	3729961	ALTERNATOR AR			
107	I	1	3729968	ANTENNA AR-BASE			
108	I	1	3727738	AXLE AR-FRONT			
109	I	1	3730821	AXLE AR-REAR			



Dealer / Office

HOLT TEXAS LTD.
PO Box 207916
78220-7916

Phone : (1) (210) 648-1111

e-mail : Mark.Mims@Holtcat.com

ITEM	AI	QTY	MATERIAL	DESCRIPTION	L/N	LIST PRICE	NET PRICE
110	I	1	3729970	BATTERY AR			
111	I	1	3731020	BEARING AR-WHL			
112	I	1	3729975	BOX AR-BATTERY			
113	I	1	3727753	BRAKE AR-ABS			
114	I	1	3736665	BRAKE AR-AIR RR			
115	I	1	3736663	BRAKE AR-AIR SYS			
116	I	1	3728706	BRAKE AR-CHAMBER			
117	I	1	3728711	BRAKE AR-CHAMBER			
118	I	1	3714526	BUMPER AR-FRONT			
119	I	1	3730924	CAB AR			
120	I	1	3730927	CAB AR-INTERIOR			
121	I	1	3730925	CAB AR-LK (DOOR)			
122	I	1	3730928	CAB AR-SUSP (RR)			
123	I	1	3730544	CIRCUIT AR-BRKR			
124	I	1	3736655	COMPR AR-AIR			
125	I	1	3730711	CONTROL AR-PTO			
126	I	1	3722817	CROSSMEMBER AR			
127	I	1	3728756	DRAIN AR-VALVE			
128	I	1	3736657	DRYER AR-AIR HTR			
129	I	1	3730546	ELECTRICAL AR			
130	I	1	3730679	EMISSION AR			
131	I	1	3730578	END AR-FRONT			
132	I	1	3730673	ENGINE AR-BLK			
133	I	1	3730697	RADIATOR - ALUMINUM			
134	I	1	3730676	EQUIPMENT AR			
135	I	1	3729942	EXHAUST AR-SYS			
136	I	1	3730689	FAN AR-DRIVE			
137	I	1	3730690	FAN AR-DRIVE			
138	I	1	3730691	FAN AR-OVERRIDE			
139	I	1	3730913	FILTER AR-FUEL			
140	I	1	3730670	FITTING AR			
141	I	1	3730671	FITTING AR			
142	I	1	3727719	FRAME AR-RAILS			
143	I	1	3727725	FRAME AR-REINF			
144	I	1	3730933	GAUGE AR-CLUSTER			
145	I	1	3730938	GAUGE AR-MANF			
146	I	1	3730939	GAUGE AR-TEMP			
147	I	1	3730941	HANDLE AR-GRAB			
148	I	1	3730945	HEATER AR			
149	I	1	3727728	HOOK AR-TOW			
150	I	1	3730548	HORN AR-AIR			



Dealer / Office

HOLT TEXAS LTD.
PO Box 207916
78220-7916

Phone : (1) (210) 648-1111

e-mail : Mark.Mims@Holtcat.com

ITEM	AI	QTY	MATERIAL	DESCRIPTION	L/N	LIST PRICE	NET PRICE
151	I	1	3730695	HOSE AR-CLAMP			
152	I	1	3730580	INSULN AR-HOOD			
153	I	1	3730579	INSULN AR-PANEL			
154	I	1	3730562	LIGHT AR			
155	I	1	3730952	MIRROR AR			
156	I	1	3730567	MOTOR AR-STG			
157	I	1	3729946	MUFFLER AR-TAIL PP			
158	I	1	3730623	PAINT AR-CLASS			
159	I	1	3730634	PAINT AR-SCHEMATIC			
160	I	1	3730636	PAINT AR-TYPE			
161	I	1	3729956	PIPE AR-TAIL			
162	I	1	3730556	POWER AR-SOURCE			
163	I	1	3730557	POWER AR-SOURCE			
164	I	1	3730559	RADIO AR			
165	I	1	3730962	SEAT AR			
166	I	1	3730955	SEAT AR-DRIVER			
167	I	1	3728799	STEERING AR-COL			
168	I	1	3728801	STEERING AR-GEAR			
169	I	1	3728802	STEERING AR-WHEEL			
170	I	1	3730964	SUNSHADE AR			
171	I	1	3727747	SUSPENSION AR-FR			
172	I	1	3730877	SUSPENSION AR-RR			
173	I	1	3730862	SUSPENSION AR-RR			
174	I	1	3729951	SWITCH AR-EXH			
175	I	1	3730576	SWITCH AR-TURN			
176	I	1	3730900	TANK AR-FUEL			
177	I	1	3730971	WHEEL AR-FRONT			
178	I	1	3730998	WHEEL AR-REAR			
179	I	1	3730966	WINDOW AR-POWER			
180	I	1	3730967	WINDOW AR-REAR			
181	I	1	3730968	WINDSHIELD AR			
182	I	1	3730542	WIRING AR-BODY			
183	I	1	3730710	XMSN AR-MANUAL			
184	I	1	3730746	XMSN AR-MANUAL			
185	I	1	3730717	XMSN AR-OIL			
186	I	1	3768874	CLUTCH AR			
187	I	1	3746726	BRAKE AR-AIR FR			
188	I	1	3788407	ENGINE AR-DIESEL			
189	I	1	3788408	EMISSION AR-FED			
190	I	1	3788412	BRAKE AR-FRT PKG			
191	I	1	3788413	BRAKE AR-RR PKG			



Dealer / Office

HOLT TEXAS LTD.
PO Box 207916
78220-7916

Phone : (1) (210) 648-1111

e-mail : Mark.Mims@Holtcat.com

ITEM	AI	QTY	MATERIAL	DESCRIPTION	L/N	LIST PRICE	NET PRICE
192	I	1	3788416	CONT AR-DIFF SW			
193	I	1	3788417	AXLE AR-RR LUB			
194	I	1	3789189	WHEELBASE AR			
195	I	1	3789240	BUZZER AR-WRN			
196	I	1	3779503	CONTROL GP			
200	I	2	0V5120	TIRE - FRONT:7792655412_I		239.00-	
300	I	8	0V5121	TIRE - REAR:7382135420_I		1,622.00	
400	I	1	0V5125	COMMODITIES SURCHARGE			
500	I	1	0V5063	STANDARD FREIGHT CHARGE			2,025.00
600	I	1	0V3948	END USE: NA VOCATIONAL TRUCK			
700	I	1	0V5036	ROLL-ON/ROLL-OFF			

Sum All List Price Items

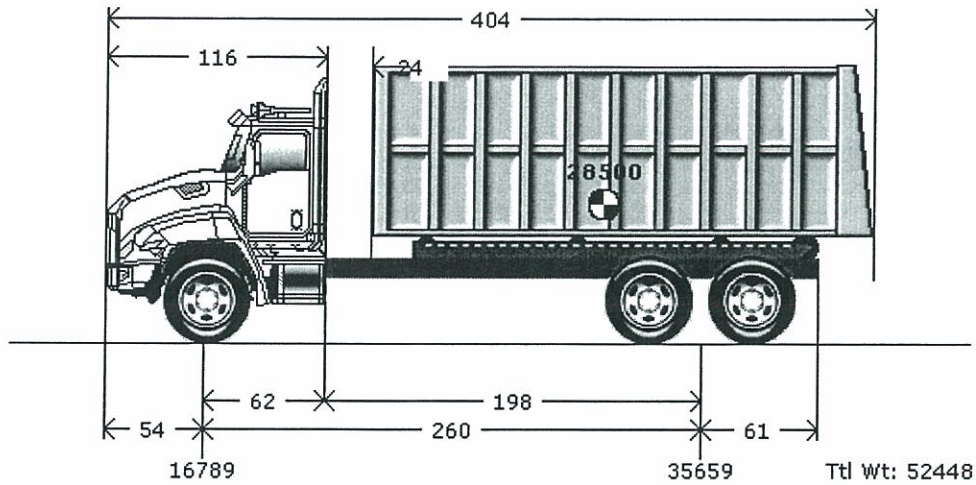
156,637.32



Weight Summary

January 30, 2013

2014 660S SBA 6x4 (CF7AA)



Graphics are provided as visual aids only and are not intended to represent the actual scale, shape, or color of the truck or its components. All weights are represented in lbs.

Truck			Body/Trailer			Chassis/Empty Weights	
Bumper to Axle	(BA)	54.0	Body Length	(BL)	264	Tractor Front Axle:	10,243
Wheelbase	(WB)	260.00				Tractor Rear Axle:	7,745
Axle to Frame	(AF)	61.00					
Axle to Back Cab	(ABC)	62					
Cab to Axle	(CA)	198					
Usable CA		198					
CA Reduction Adjustment		0					
Fuel (Gals)		100					

Before the Cab			Cab			Payloads Chassis			Body			After the Body		
#	Weight	CG	#	Weight	CG	#	Weight	CG	#	Weight	CG	#	Weight	CG
						1	28,500	123						

Loads	
Payload Weight:	28,500
Driver:	250
Fuel(lbs):	710

Weight Distribution	
Total Front Axle:	16,789
Total Rear Axle:	35,659
Total Weight:	52,448

Weights and clearances in this proposal are estimates only. Neither Caterpillar nor its suppliers are liable for any consequences resulting from any differences between the estimated weights and clearances and the actual manufactured weights and clearances.

B & C BODY COMPANY
P.O. BOX 2867
LONGVIEW, TX 75606
214-631-2196

DATE: August 26, 2013
 CUSTOMER NAME: HOLT CAT
 ADDRESS: 1601 EAST HWY 356
 CITY/STATE/ZIP: IRVING, TX 75060
 P.O. NUMBER: HC388996
 SALESMAN: JIM LEWIS

INVOICE NUMBER **7242**

DESCRIPTION	AMOUNT
1 GALBREATH U75-IO-174 75,000# CAPACITY ROLL-OFF HOIST S/N 13H34929	\$ 35,795.00
1 PIONEER RP4500SARG ADJUSTABLE GANTRY TARDER S/N 23104	
1 SCRAPPER TARP UPGRADE	185.00
1 FUEL	244.27

MOUNTED ON :2014 CT660S VIN# 765404

A/C # 1306 10.22
 ID# TGA00018
 VIN# 765404
 Price \$36,224.27
 Approval NBA
 Date 9/3/13

PAYMENT DUE NET 30
 PLEASE REMIT PAYMENT TO ABOVE ADDRESS

FEDERAL EXCISE TAX

SUBTOTAL 36,224.27

STATE SALES TAX

LICENSE & REGISTRATION

TITLE FEE/COUNTY ROAD/BRIDGE

TOTAL PRICE 36,224.27

DEPOSIT ON ORDER
 CASH ON DELIVERY 36,224.27

AMOUNT FINANCED

TOTAL PRICE \$ 36,224.27

CUSTOMER ACKNOWLEDGEMENT _____
 CUSTOMER SIGNATURE _____



1320 South 25TH Street
Edinburg, TX 78539
Office: (956) 289-7600
Fax: (956) 383-6819
www.holttruckcenter.com

GALBREATH ROLL-OFF HOIST

Model U75-IO-174
75,000 lb Capacity
Hoist with Inside and Outside Rails
Capable of loading up to 22' containers
Inside air controls
Outside manual controls
48" tool box
Steel diamond tread plate fenders
Air shift PTO with direct mount pump
Approach ramps with ratchet hold straps
Tarp platform
Hard plumbed
Huck bolt mounted and painted black

Pioneer RP4500SARG adjustable gantry tarp
With Heavy Duty SCRAPER TARP UPGRADE

MOBILE PRODUCTS



WASTEQUIP





ROLL-OFF CABLE HOISTS

When it comes to heavy lifting, nothing compares to Wastequip's line of Galbreath brand and Accurate style of roll-off cable hoists. For over 40 years, Galbreath has set the standard by which all others are measured and is the most trusted cable hoist brand in the market.

- Outside Rail cable hoists are the most common and versatile in use today
- Inside/Outside Rail cable hoists have rollers on the inside of the frame that line up with rails on a container to help guide it during loading. These cable hoists offer the ability to load both styles of containers
- Some models have additional benefits, such as deadlift to help load containers found in tight spaces, and extended tail models allow for low loading angles where height clearance is an issue

STANDARD FEATURES

SAFETY

- An automatic spring-loaded container locking system, together with rear container hold downs, make Galbreath-brand hoists the safest, most reliable in the industry
- Each Galbreath-brand hoist is equipped with heavy-duty safety props to provide a fail-safe system during equipment maintenance
- Automatic fold fold-up ICC bumper is standard on most models

DURABILITY

- Rugged rear hinge is an integral part of Galbreath-brand hoists and is designed to take the punishment and stress of the most demanding loads
- Hoist frames are huck-bolted to chassis on all factory-mounted models, providing unmatched strength and durability
- The best hydraulic filtering system in the industry minimizes contamination for maximum operation life and minimum maintenance

EASY TO OPERATE

- A centered cab-mount "Power Tower" is the easiest and most ergonomic control tower for operating your hoist. Controls are perfectly positioned for maximum efficiency and control, while Galbreath's famous "Plug n' Play" wiring system provides easy, independent installation that eliminates crossed wires, loose connections, corrosion and splices

OTHER AVAILABLE FEATURES

- Reverse cylinder mount
- Pintle hook applications
- Various fender selections
- Auxiliary hydraulic hook-ups
- Air-activated container hold-down system
- Pioneer Rack 'n Pinion tarping systems



Hoist frame huck bolted to chassis on all factory mounted hoists



Automatic fold up ICC bumper

75,000 lb. Capacity » Roll-Off Hoists

Tandem Axle

OUTSIDE RAIL



UH-OR-194

- Heavier Duty
- Use for Container Sizes: 20'-24'
- 75,000 lb. Capacity
- 194" CT (cab to trunnion) Dimension
- Outside Rail
- Telescopic Cylinders

U75-OR-194

- Use for Container Sizes: 20'-24'
- 75,000 lb. Capacity
- 194" CT (cab to trunnion) Dimension
- Outside Rail
- Telescopic Cylinders

UM-OR-194

- Michigan 9'-Spread Lift Axle
- Use for Container Sizes: 20'-24'
- 75,000 lb. Capacity
- 194" CT (cab to trunnion) Dimension
- Outside Rail
- Telescopic Cylinders

U75-EX-194

- Use for Container Sizes: 20'-24'
- 75,000 lb. Capacity
- 194" CT (cab to trunnion) Dimension
- Outside Rail
- Extended Tail
- Telescopic Cylinders

UH-OR-174

- Heavier Duty
- Use for Container Sizes: 18'-22'
- 75,000 lb. Capacity
- 174" CT (cab to trunnion) Dimension
- Outside Rail
- Telescopic Cylinders

U75-OR-174

- Use for Container Sizes: 18'-22'
- 75,000 lb. Capacity
- 174" CT (cab to trunnion) Dimension
- Outside Rail



U75-EX-174

- Use for Container Sizes: 18'-22'
- 75,000 lb. Capacity
- 174" CT (cab to trunnion) Dimension
- Outside Rail
- Extended Tail

U75T-EX-174

- Use for Container Sizes: 18'-22'
- 75,000 lb. Capacity
- 174" CT (cab to trunnion) Dimension
- Outside Rail
- Extended Tail
- Telescopic Cylinders

INSIDE/OUTSIDE RAIL



UH-IO-194

- Heavier Duty
- Use for Container Sizes: 20'-24'
- 75,000 lb. Capacity
- 194" CT (cab to trunnion) Dimension
- Inside/Outside Rail
- Telescopic Cylinders

U75-IO-194

- Use for Container Sizes: 20'-24'
- 75,000 lb. Capacity
- 194" CT (cab to trunnion) Dimension
- Inside/Outside Rail
- Telescopic Cylinders

UH-IO-174

- Use for Container Sizes: 18'-22'
- 75,000 lb. Capacity
- 174" CT (cab to trunnion) Dimension
- Inside/Outside Rail
- Telescopic Cylinders

U75-IO-174

- Use for Container Sizes: 18'-22'
- 75,000 lb. Capacity
- 174" CT (cab to trunnion) Dimension
- Inside/Outside Rail

UC-IO-174

- Canada Unit
- Use for Container Sizes: 18'-22'
- 75,000 lb. Capacity
- 174" CT (cab to trunnion) Dimension
- Inside/Outside Rail

U75-IX-174

- Heavy Duty
- Use for Container Sizes: 18'-22'
- 75,000 lb. Capacity
- 174" CT (cab to trunnion) Dimension
- Inside/Outside Rail
- Extended Tail

QUESTIONS?

1.800.285.0666

www.wastequip.com

sales@wastequip.com