

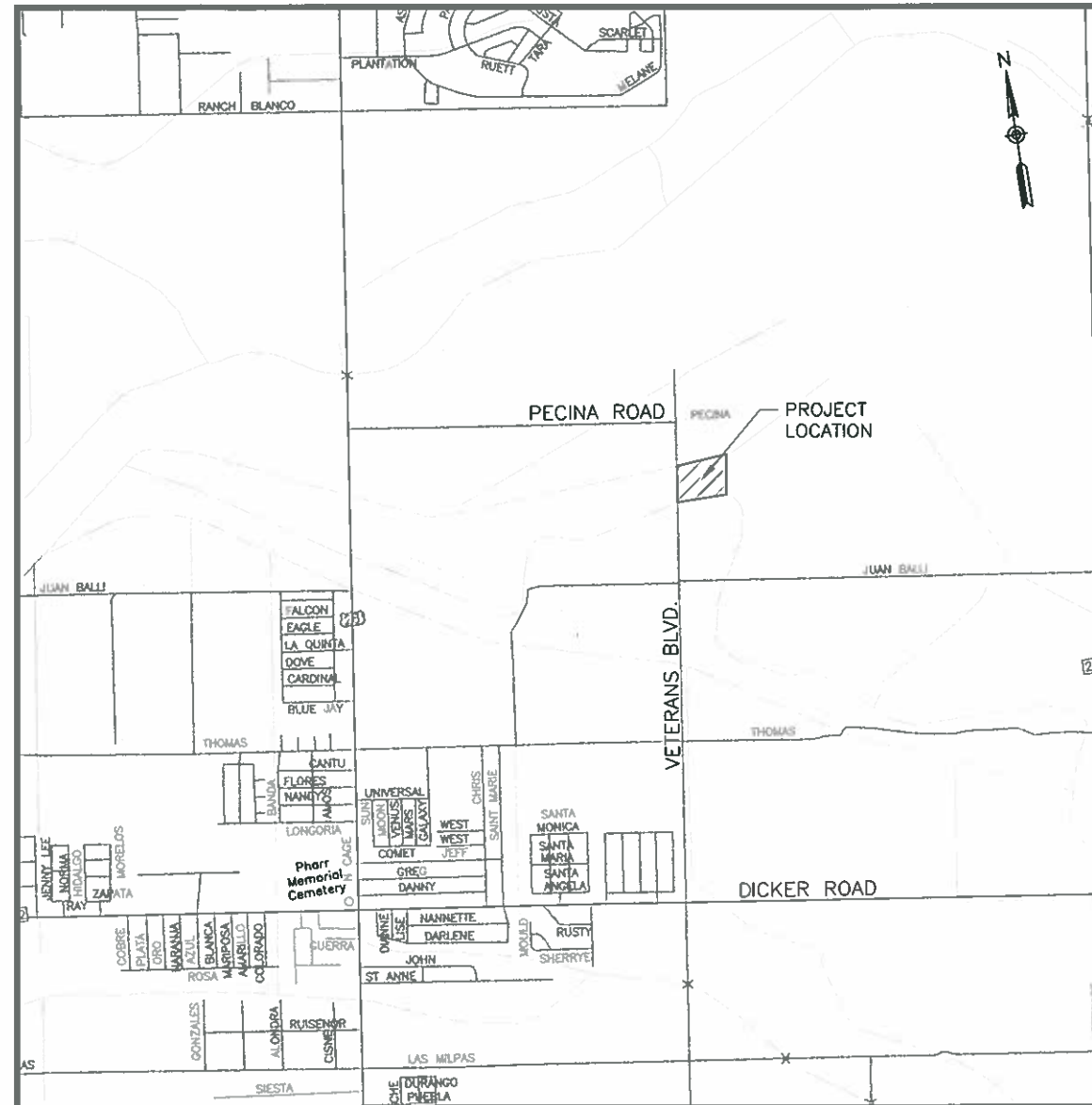
**RAMON GARCIA**  
COUNTY JUDGE

**COMMISSIONER A.C. CUELLAR, JR.**  
PRECINCT No. 1

**COMMISSIONER HECTOR "TITO" PALACIOS**  
PRECINCT No. 2

**COMMISSIONER JOE M. FLORES**  
PRECINCT No. 3

**COMMISSIONER JOSEPH PALACIOS**  
PRECINCT No. 4



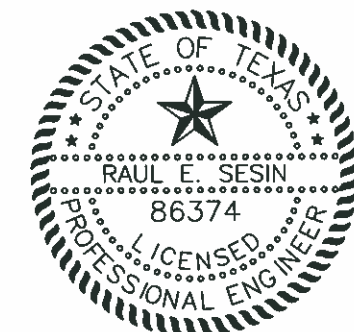
LOCATION MAP - SCALE: 1"=3000'

**HIDALGO COUNTY PRECINCT No. 2  
EQUIPMENT AND MAINTENANCE  
FACILITY  
ON-SITE CIVIL IMPROVEMENTS**



**HIDALGO COUNTY  
PLANNING DEPARTMENT**

1304 S. 25 TH. STREET  
EDINBURG TX. 78539  
TEL: (956) 318-2840 ★ FAX: (956) 318-2844  
www.co.hidalgo.tx.us  
RAUL E. SESIN, P.E., C.F.M.  
PLANNING ADMINISTRATOR



11/22/13

This seal appearing on this document was authorized by Raul E. Sesin P.E. No. 86374 on the above designated date.

*[Signature]*  
RAUL E. SESIN-P.E. No. 86374

REVISIONS

DATE:	COMMENTS:

**INDEX**

**NO. DESCRIPTION**

**GENERAL**

- 1 COVER SHEET
- 2 INDEX OF SHEETS
- 3 SYMBOLS, LEGENDS, & ABBREVIATIONS
- 4 GENERAL NOTES


**ON-SITE CIVIL IMPROVEMENTS**

- 5 PROPOSED LAYOUT
- 6 DIMENSIONAL PLAN
- 7 UTILITY PLAN
- 8 GRADING PLAN

**DETAILS**

- 9 OSSF DETAILS
- 10 PARKING AREA DETAILS
- 11 DRAINAGE DETAILS
- 12 WATER AND SEWER DETAILS

HIDALGO COUNTY  
PLANNING DEPARTMENT



1304 S. 25 TH. STREET  
EDINBURG TX. 78539  
TEL: (956) 318-2840 FAX: (956) 318-2844  
www.co.hidalgo.tx.us  
RAUL E. SESIN, P.E., C.F.M.  
PLANNING ADMINISTRATOR

COMMISSIONER  
HECTOR "TITO" PALACIOS  
HIDALGO COUNTY PCT 2  
CIVIL IMPROVEMENT  
PROJECTS

**HIDALGO COUNTY PRECINCT No. 2  
EQUIPMENT AND MAINTENANCE  
FACILITY  
ON-SITE CIVIL IMPROVEMENTS  
SHEET INDEX**



This seal appearing on this document was authorized by Raul E. Sesin P.E. No. 86374 on the above designated date.

RAUL E. SESIN, P.E. No. 86374

SCALE: N.T.S.  
DRAWN BY:  
CHECKED BY: RAUL E. SESIN  
TPOD BY: EDGAR I.  
SHEET:

Drawing: E:\PCT 2\1 in PEDINA RD\Sheet Listing Index.dwg  
Plot Date: 11/22/13 11:26:48 AM

**ABBREVIATIONS**

A	ASPHALT	IGV	IRRIGATION GATE VALVE
ADR	ASPHALT DRIVE	IGW	IRRIGATION GATEWELL
APV	ASPHALT PAVEMENT	ISP	IRRIGATION STAND PIPE
AVE	AVENUE	INV	INVERT
BM	BENCHMARK	IV	IRRIGATION VENT
BOC	BACK OF CURB	LT	LEFT
CONC.	CONCRETE	LOT	LOT CORNER
CONST.	CONSTRUCT	MB	MAIL BOX
CL	CENTER LINE	MH	MANHOLE
CDR	CONCRETE DRIVE	MON	MONUMENT
CPV	CONCRETE PAVEMENT	N.T.S	NOT TO SCALE
CA	CALICHE	NAIL	NAIL
CADR	CALICHE DRIVE	NAWSC	NORTH ALAMO WATER SUPPLY CORPORATION
CARD	CALICHE ROAD	NG	NATURAL GROUND
CFN	CHAIN LINK FENCE	OHE	OVERHEAD ELECTRIC LINE
CI	CURB INLET	PFL	PIPE FLOW LINE
CLV	CULVERT	PGL	PROPOSED GRADE LINE
CP	CONTROL POINT	PL	PROPERTY LINE
CPV	CONCRETE PAVEMENT	PP	POWER POLE
CR	CENTER OF ROAD	PROP	PROPOSED
CRB	CURB	PV	PAVEMENT
CSM	CABLE SPOT MARKING	PVC	PVC PIPE
D	DIRT	RT	RIGHT
DR	DRIVE	RCP	REINFORCED CONCRETE PIPE
DDR	DIRT DRIVE	RIP	RIP-RAP
DT	DITCH	RD	ROAD
DTB	DITCH BOTTOM	RM	REFERENCE MARKER
DTBB	DITCH BOTTOM OF BERM	ROW	RIGHT-OF-WAY
DTE	DITCH EDGE	RR	RAIL ROAD
DTFL	DITCH FLOW LINE	RSD	ROAD SIDE DITCH
DTT	DITCH TOP	RW	RETAINING WALL
DTTB	DITCH TOP OF BERM	SBOT	SWALE BOTTOM
DTTOE	DITCH TOE	SDL	STORM DRAIN LINE
EXIST.	EXISTING	SEP	SEPTIC TANK COVER
ESMT.	EASEMENT	SET	SAFETY-END TREATMENT
EBX	ELECTRIC BOX	SP	SERVICE POLE
EOCA	EDGE OF CALICHE	SPOL	SIGNAL POLE TRAFFIC
EOP	EDGE OF PAVEMENT	STOP	SWALE TOP
EW	EDGE OF WATER	STA	STATION
EWL	END WALL	SW	SIDEWALK
FG	FINISHED GRADE	TELBX	TELEPHONE BOX
FH	FIRE HYDRANT	TBX	TRAFFIC CONTROL BOX
FL	FLOW LINE	TMKR	TELEPHONE MARKER
FM	FARM-TO-MARKET	TOA	TOP OF ASPHALT
FN	FENCE	TOC	TOP OF CURB
FOC	FIBER OPTIC CABLE	TOW	TOP OF WATER
FOCM	FIBER OPTIC CABLE MARKING	TR	TREE
G	GRAVEL	TRNS	TRANSFORMER
GDR	GRAVEL DRIVE	TSL	TRAFFIC SIGNAL LIGHT
GL	GAS LINE	TSM	TELEPHONE LINE SPOT MARKING
GLMKR	GAS LINE MARKER	VA	VALVE
GLSM	GAS LINE SPOT MARKING	WB	WATER BIBB
GM	GAS METER	WDFN	WOODEN FENCE
GV	GAS VALVE	WFN	WIRE FENCE
GW	GUY WIRE	WL	WATER LINE
HCDR	HIDALGO COUNTY DEED RECORDS	WLSM	WATER LINE SPOT MARKING
HCOR	HIDALGO COUNTY OFFICIAL RECORDS	WM	WATER METER
HCMR	HIDALGO COUNTY MAP RECORDS	WP	WOODEN POST
HCR	HANDICAP RAMP	WV	WATER VALVE
HDW	HEADWALL	WWSM	WASTE WATER LINE SPOT MARKING
HWM	HIGH WATER MARK	YD	YARD DRAIN
IR	IRON ROD		
IRS	IRON ROD SET		

**SYMBOLS**

	Iron Pipe
	Iron Rod
	Tree
	Sign
	HL&P Tower
	Mhel (Manhole electric)
	Power pole
	Pptrn (Power Pole w/transformer)
	Guy (Down guy)
	Gas meter (Gm)
	Gv (Gas valve)
	Mhsh (Sanitary sewer manhole)
	Snco (Clean out)
	Culv (Culvert pipe)
	Grinl (Grate inlet)
	Mhst (Storm sewer manhole)
	Sgnstp (Stop sign)
	Trijb (Traffic junction box)
	Tripl (Traffic light pole)
	Fh (Fire hydrant)
	Wm (Water meter)
	Wv (Water valve)
	Shrub
	Acap (Aluminum cap)
	Bdisk (Brass disk)
	Fnd IP (Iron Pipe found)
	Fnd IR (Iron Rod found)
	Nail
	Bm (Benchmark)
	Rowmkr (R.O.W. marker)
	Irr Box
	Irr standpipe
	Irr gate valve
	Grpst (Guardrail post)
	Mailbox
	Stsgn (Street sign)
	Palm
	Catvbox (Cable Tv box)
	Ebox (Electrical box)
	Eltrn (Electrical transformer)
	Emkr (Electrical marker)
	Lp (Light Pole)
	Pplt (Power pole w/light)
	Pipe
	Gasreg (Gas regulator)
	Mhgs (Mahole Gas)
	Pipvnt (Pipe vent/stand pipe)
	Wvmkr (Water valve marker)
	Crbinl (Curb Inlet)
	Trlt (Traffic light)
	Trsgn (Traffic sign)
	Tsbox (Traffic signal box)
	Tsigpl (Traffic signal pole)
	Mhtel (Manhole telephone)
	Pbox (Telephone pedestal)
	Phmkr (Telephone marker)
	Tlbox (Telephone box)
	Tljnc (Telephone junction box)
	Tlpol (Telephone pole)
	Spkhd (Sprinkler head)
	Wtrwell (Water well)
	Water Bibb
	Cps (Cotton Picker Spindle)

**LEGEND**

	W		W	WATER PIPE
	SS		SS	SANITARY SEWER PIPE
	SDR		SDR	STORM DRAIN PIPE
	IRR		IRR	IRRIGATION PIPE
	TEL		TEL	TELEPHONE LINE
	FO		FO	FIBER OPTIC CABLE
	GAS		GAS	GAS LINE
	OH		OH	OVERHEAD ELECTRICAL LINE
	X		X	FENCE
				RIGHT-OF-WAY LINE

**NOTE**

THE (HORIZONTAL AND/OR VERTICAL LOCATION OF EXISTING UNDERGROUND UTILITIES AS ILLUSTRATED ON THESE PLANS IS APPROXIMATE. CONTRACTOR SHALL FIELD VERIFY THE LOCATION OF ALL UTILITIES PRIOR TO BEGINNING CONSTRUCTION IN THE AREA OF SAID UTILITIES. CONTRACTOR SHALL CONTACT THE FOLLOWING AT LEAST 48 HOURS PRIOR TO BEGINNING CONSTRUCTION/EXCAVATING IN THE AREA OF EXISTING UTILITIES

UTILITY COMPANY:	CONTACT PERSON:	PHONE:
DIG-TESS		800-DIG-TESS
A.E.P.	Carmen Morales	956-283-2369
MAGIC VALLEY	Bryan Acosta	956-289-4040
TIME WARNER COMMUNICATION	Rick Pupek	956-412-5458
ATT SWBT	Lucy Salinas	956-630-8261
HIDALGO COUNTY DRAINAGE DISTRICT #1	Noe Saldívar	956-292-7080
ALAMO UTILITY DEPARTMENT	Daisy Alonzo	956-787-8321
MILITARY HIGHWAY WATER SUPPLY CORP.	David Garcia	956-565-2491
HIDALGO COUNTY IRRIGATION DISTRICT No. 2	Bert Wessling	956-787-1422
TEXAS GAS SERVICE	Mike Martinez	956-444-3926
SPECTA ENERGY (TEXAS EASTERN CORP.)	Freddy Pattalan	956-607-6255
PHARR UTILITY DEPARTMENT	Yesenia Ennis	956-402-4300

**QUANTITY ABBREVIATIONS**

AC	ACRE
CF	CUBIC FEET
CY	CUBIC YARD(S)
EA	EACH
LF	LINEAR FEET
LS	LUMP SUM
SF	SQUARE FEET
SY	SQUARE YARD(S)

HIDALGO COUNTY  
PLANNING DEPARTMENT  
1304 S. 25 TH. STREET  
EDINBURG TX. 76539  
TEL: (956) 318-2840 FAX: (956) 318-2844  
www.co.hidalgo.tx.us  
RAUL E. SESIN, P.E., C.F.M.  
PLANNING ADMINISTRATOR

COMMISSIONER  
HECTOR "TITO" PALACIOS  
HIDALGO COUNTY PCT 2  
CIVIL IMPROVEMENT  
PROJECTS

HIDALGO COUNTY PRECINCT No. 2  
EQUIPMENT AND MAINTENANCE  
FACILITY  
ON-SITE CIVIL IMPROVEMENTS  
SYMBOLS, LEGENDS & ABBREVIATIONS

This seal appearing on this document was authorized by Raul E. Sesin, P.E., No. 86374 on the above designated date.

RAUL E. SESIN - P.E. No. 86374

SCALE: N.T.S.

DRAWN BY:

CHECKED BY: RAUL E. SESIN

YOPO BY: EDGAR I.

SHEET: 3

Drawing: E:\PCT 2\1 - PEDANA RD\On-Site ACAD\Symbols and Legend-on site.dwg  
Printed: 11/18/2013 Time: 05:07:13 PM

**GENERAL NOTES:**

1. ALL WORK SHALL BE COMPLETED TO THE SATISFACTION OF THE HIDALGO COUNTY PRECINCT No. 2, HIDALGO COUNTY IRRIGATION DISTRICT No. 2, AND MILITARY HIGHWAY WATER SUPPLY CORPORATION.
2. THE CONTRACTOR SHALL BE RESPONSIBLE TO CONTACT MR. DAVID GARCIA WITH MILITARY HIGHWAY WATER SUPPLY CORP. (M.H.W.S.C.) 48 HOURS PRIOR TO COMMENCEMENT OF WORK @ (956) 565-2491 TO COORDINATE AND MEET ANY ADDITIONAL REQUIREMENTS AND/OR SPECIFICATIONS.
3. THE CONTRACTOR SHALL BE RESPONSIBLE TO CONTACT MR. BERT WESSLING WITH HIDALGO COUNTY IRRIGATION DISTRICT No. 2 (H.C.I.D. No. 2) @ (956) 787-1422, 48 HOURS PRIOR TO COMMENCEMENT OF WORK TO COORDINATE AND MEET ANY ADDITIONAL REQUIREMENTS AND/OR SPECIFICATIONS.
4. THE CONTRACTOR SHALL BE RESPONSIBLE TO CALL DIG TESS 48 HOURS PRIOR TO COMMENCEMENT OF WORK FOR UTILITY SPOTTING @ (1-800-DIG-TESS).
5. THE CONTRACTOR TO NOTIFY ALL UTILITY COMPANIES FOR VERIFICATION OF LOCATION OF EXISTING FACILITIES PRIOR TO BEGINNING ANY EXCAVATION.
6. LOCATIONS OF UNDERGROUND FACILITIES ARE FROM BEST INFORMATION AVAILABLE. NEITHER THE OWNER OR ENGINEER, WARRANT THE ACCURACY OF THE INFORMATION PROVIDED. ANY DEVIATIONS SHALL BE CALLED TO THE ENGINEER'S ATTENTION IMMEDIATELY.
7. ANY DAMAGES TO FENCES, WALKS, OR PRIVATE PROPERTY SHALL BE REPAIRED BY THE CONTRACTOR AT HIS EXPENSE.
8. NO OPEN EXCAVATION SHALL BE LEFT OPEN OVERNIGHT. ALL EXCAVATIONS WHICH CANNOT BE BACKFILLED OVERNIGHT SHALL BE COVERED. AS A MINIMUM, WITH STEEL PLATING WHEN IN PAVED AND UNPAVED AREAS SUBJECT TO VEHICULAR LOADING; ¼ PLYWOOD, WOOD PLANKING WITH O.S.H.A. ORANGE PLASTIC EXPANDED MESH BARRIER AROUND PERIMETER IN UNPAVED AREAS NOT SUBJECT TO VEHICULAR LOADING, OR AS APPROVED BY THE ENGINEER.
9. THE PREPARATION OF THESE PLANS REFLECTS INFORMATION, PROVIDED BY OTHERS, ON THE APPROXIMATE LOCATION AND EXISTENCE OF EXISTING UTILITY AND ADJACENT PHYSICAL FEATURES. HOWEVER, THEY DO NOT IMPLY OR AFFIRM THAT ALL UTILITIES OR PHYSICAL FEATURES ARE SHOWN. GENERALLY, UTILITY SERVICE CONNECTIONS ARE NOT INDICATED ON THESE PLANS. CONTRACTOR IS RESPONSIBLE FOR NOTIFICATIONS OF THE OWNER IMMEDIATELY UPON ENCOUNTERING UNFORESEEN CONFLICTS.
10. THE APPROXIMATE LOCATIONS OF KNOWN EXISTING UTILITIES ARE SHOWN, CONTRACTOR SHALL DETERMINE THE EXACT HORIZONTAL AND VERTICAL LOCATIONS IN THE FIELD PRIOR TO COMMENCING WORK. CONTRACTOR TO BE FULLY RESPONSIBLE FOR DAMAGES WHICH MIGHT OCCUR BY HIS FAILURE TO EXACTLY LOCATE AND PRESERVE EXISTING UTILITIES.
11. PUBLIC AND PRIVATE UTILITY LINES AND CUSTOMER SERVICE LINES MAY EXIST THAT ARE NOT SHOWN ON THE CONSTRUCTION DRAWINGS. IT SHALL BE THE CONTRACTOR'S RESPONSIBILITY TO LOCATE, MAINTAIN AND PROTECT THE INTEGRITY OF THESE LINES. HAND EXCAVATION MAY BE REQUIRED. THE CONTRACTOR SHALL RESTORE RELOCATED OR DIVERTED UTILITY TO ITS ORIGINAL CONDITION AND LOCATION WHEN APPLICABLE UPON COMPLETION OF CONSTRUCTION. SAID RESTORATION SHALL BE CONSIDERED SUBSIDIARY TO THE PROJECT COST AND REFLECTED IN THE UNIT BID PRICES FOR VARIOUS ITEMS LISTED IN THE PROPOSAL.
12. THE CONTRACTOR TO MAINTAIN ALL EQUIPMENT AND TRANSPORTATION OF SAID EQUIPMENT WITHIN THE EXISTING RIGHTS-OF-WAY OF THE CITY, COUNTY, OR STATE.
13. WHERE NEW WATER LINES AND SEWER LINES ARE INSTALLED WITH A SEPARATION DISTANCE CLOSER THAN NINE FEET (I.E., WATER LINES CROSSING WASTEWATER LINES, WATER LINES PARALLELING WASTEWATER LINES, OR WATER LINES NEXT TO MANHOLES) THE INSTALLATION MUST MEET THE REQUIREMENTS OF 30 TAC 317 (DESIGN OF SEWAGE SYSTEMS) OR 30 TAC 290 (WATER HYGIENE).
14. THE CONTRACTOR IS RESPONSIBLE FOR MAINTAINING WATER AND SEWER CONNECTIONS TO ALL HOMES AND BUSINESSES IN WORKING ORDER AT ALL TIMES, EXCEPT FOR BRIEF INTERRUPTIONS IN SERVICE FOR CONNECTIONS TO BE REINSTALLED. IN NO CASE SHALL SERVICES BE ALLOWED TO REMAIN OUT OF SERVICE OVERNIGHT. CONTRACTOR IS RESPONSIBLE FOR DAMAGES TO SAID SERVICES.
15. THE CONTRACTOR SHALL BE RESPONSIBLE TO REPAIR ANY SURFACE IRREGULARITIES, AS DIRECTED BY THE ENGINEER, CAUSED BY THE CONTRACTOR'S WORKING OPERATIONS.
16. PAVEMENT SURFACE PREPARATION FOR MARKINGS AND MARKERS WILL NOT BE PAID FOR DIRECTLY, BUT SHALL BE CONSIDERED SUBSIDIARY TO THE PROJECT COST REFLECTED IN THE UNIT BID PRICES FOR VARIOUS ITEMS LISTED IN THE PROPOSAL.
17. CONTRACTOR SHALL BE RESPONSIBLE FOR MAINTAINING ADEQUATE DRAINAGE OF PROPOSED FACILITIES AT ALL TIMES DURING CONSTRUCTION.
18. THE CONTRACTOR SHALL BE RESPONSIBLE FOR GRADING AREA BETWEEN THE BACK OF CURB/EDGE OF PAVEMENT, ROAD SIDE DITCH AND RIGHT-OF-WAY TO HAVE POSITIVE FLOW TO THE PROPOSED DRAINAGE SYSTEM.

19. THE CONTRACTOR SHALL PROVIDE POSITIVE DRAINAGE AT ALL TIMES DURING THE INSTALLATION OF THE STRUCTURES, DRAINAGE, UTILITY, IRRIGATION AND ROAD IMPROVEMENTS. DEWATERING OF THE TRENCH MAY BE REQUIRED DURING THE INSTALLATION OF THE DRAINAGE, UTILITY AND IRRIGATION FACILITIES/STRUCTURES. SAID DEWATERING SHALL BE CONSIDERED SUBSIDIARY TO THE PROJECT COST AND REFLECTED IN THE UNIT BID PRICES FOR VARIOUS ITEMS LISTED IN THE PROPOSAL.
20. THE CONTRACTOR SHALL CLEANUP AND RESTORE THE AREA OF OPERATIONS TO A CONDITION AS GOOD AS OR BETTER THAN THAT WHICH EXISTED PRIOR TO INSTALLATION OF ALL ITEMS TO BE CONSTRUCTED.
21. THE CONTRACTOR SHALL INSURE A 6 IN. MINIMUM COVER FOR CULVERTS. THE RELAYING OF PIPE CULVERTS SHALL BE CONSIDERED SUBSIDIARY TO THE UNIT BID PRICES FOR ROADSIDE DITCH GRADING OF THE PROJECT.
22. THE CONTRACTOR IS RESPONSIBLE FOR THE PREPARATION AND SUBMITTAL OF THE TRENCH EXCAVATION PROTECTION PLAN. CONTRACTOR SHALL SUBMIT CONSTRUCTION DETAILS AND DESIGN CALCULATIONS BEARING THE SEAL OF A PROFESSIONAL ENGINEER LICENSED TO PRACTICE IN THE STATE OF TEXAS BEFORE CONSTRUCTING THE SHORING AND/OR UTILIZING A TRENCH PROTECTION SYSTEM (BOX). THE ENGINEER RESERVES THE RIGHT TO REJECT DESIGNS NOT MEETING THE REQUIREMENTS OF SECTION ITEM 402 AND 403.
23. THE COUNTY WILL PROVIDE CONTROL POINTS (BENCHMARK AND PROPERTY CORNERS) FOR THE WORK TO BE PERFORMED BY THE CONTRACTOR. CONTRACTOR SHALL BE RESPONSIBLE FOR CONSTRUCTION STAKING, INCLUDING BUT NOT LIMITED TO HORIZONTAL & VERTICAL GRADE CUTS FOR PARKING. BASE AND SUB GRADE SHALL HAVE A MINIMUM CROSS SLOPE OF 2.5%. CONTRACTOR SHALL BE RESPONSIBLE FOR ANY EXCESS CALICHE TO THE BASE THAT WOULD REQUIRE MORE THAN 8" AND 10" OF CALICHE BASE DUE TO OVER EXAGGERATIONS OF THE BASE AND SUBGRADE OR NOT PROVIDING ADEQUATE FILL TO MEET FINISH GRADE ELEVATIONS. CONTRACTOR SHALL PROVIDE MATERIAL AND LABOR FOR ALL CONCRETE WORK, (SIDE WALK, VALLEY GUTTER, CONCRETE SPILLWAYS, CONCRETE APRONS, AND CURB AND GUTTER) AND APPLICATION OF TACT COAT FOR PARKING AREA FOR BASE BID.
24. ALL DEBRIS, VEGETATION AND SURPLUS MATERIAL, EXCEPT ROADWAY SECTION, RESULTING FROM DEMOLITION AND/OR CLEARING OF THE RIGHT-OF-WAY AND PROJECT LOCATION, IN PREPARATION OF PROPOSED IMPROVEMENTS, SHALL BECOME PROPERTY OF THE CONTRACTOR AND SHALL BE PROPERLY DISPOSED OF AT A SITE ACCEPTABLE TO HIDALGO COUNTY PRECINCT No. 2. THE CONTRACTOR SHALL PROVIDE A LETTER STATING SO. THIS SHALL BE INCIDENTAL AND NOT A SEPARATE PAY ITEM UNLESS STATED SO. NO EXCESS EXCAVATED MATERIAL SHALL BE DEPOSITED IN LOW AREAS OR ALONG NATURAL DRAINAGE WAYS WITHOUT WRITTEN PERMISSION FROM THE AFFECTED PROPERTY OWNER AND THE HIDALGO COUNTY PRECINCT No. 2. IF THE CONTRACTOR PLACES EXCESS MATERIAL IN THE AREAS WITHOUT WRITTEN PERMISSION, HE WILL BE RESPONSIBLE FOR ALL DAMAGE RESULTING FROM SUCH FILL AND CONTRACTOR SHALL REMOVE THE MATERIAL AT OWN COST.
25. THE CONTRACTOR SHALL COORDINATE AN ONSITE MEETING BETWEEN ALL PARTIES INVOLVED, PRIOR TO COMMENCING ANY STRIPING OPERATION. SAID MEETING WILL BE REQUIRED TO REVIEW STRIPING DETAILS AND ANY REQUIREMENTS TO ENSURE QUALITY WORK.
26. THE CONTRACTOR SHALL BE RESPONSIBLE FOR THE LIMITS OF WORK DEFINED IN THE PLANS. COORDINATION WITH HIDALGO COUNTY PRECINCT No. 2 AND THE BUILDING CONTRACTOR SHALL BE REQUIRED PRIOR TO FINALIZING THE WORK AREA WITHIN THE PROJECT LIMITS WHICH IS 5 FT. FROM THE BUILDING, INCLUDING INSTALLING WATER AND SANITARY SEWER LINES TO BUILDING PROJECT LIMITS.
27. THE CONTRACTOR SHALL INSURE A 3 FT. MINIMUM COVER WHEN INSTALLING WATER LINE UTILITY PIPE.
28. FOR ALL PITS OR QUARRIES, COMPLY WITH THE "TEXAS AGGREGATE QUARRY AND PIT SAFETY ACT."
29. NEW CALICHE MATERIAL SHALL BE TREATED WITH 0.5% LIME BY DRY WEIGHT OF MATERIAL IF THE PLASTICITY INDEX OF SAID MATERIAL IS GREATER THAN 12. THE GRADATION SHALL BE ARGILLACEOUS LIMESTONE, CALCAREOUS OR CALCAREOUS CLAY PARTICLES, WITH OR WITHOUT STONE CONGLOMERATE GRAVEL, SAND OR GRANULAR MATERIAL:


TYPE D GRADE 6

SIEVE No.	PERCENT RETAINED
2	0
½	20-60
4	40-75
40	75-85

HIDALGO COUNTY  
PLANNING DEPARTMENT

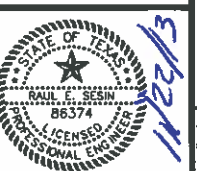
1304 S. 25 TH. STREET  
EDINBURG TX. 78539  
TEL: (956) 318-2840 FAX: (956) 318-2844  
www.co.hidalgo.tx.us

RAUL E. SESIN, P.E., C.F.M.  
PLANNING ADMINISTRATOR



COMMISSIONER  
HECTOR "TITO" PALACIOS  
HIDALGO COUNTY PCT 2  
CIVIL IMPROVEMENT  
PROJECTS

HIDALGO COUNTY PRECINCT No. 2  
EQUIPMENT AND MAINTENANCE  
FACILITY  
ON-SITE CIVIL IMPROVEMENTS  
GENERAL NOTES



This seal appearing on this document was authorized by Raul E. Sesin P.E. No. 86374 on the above designated date.

RAUL E. SESIN - P.E. No. 86374

SCALE: N.T.S.

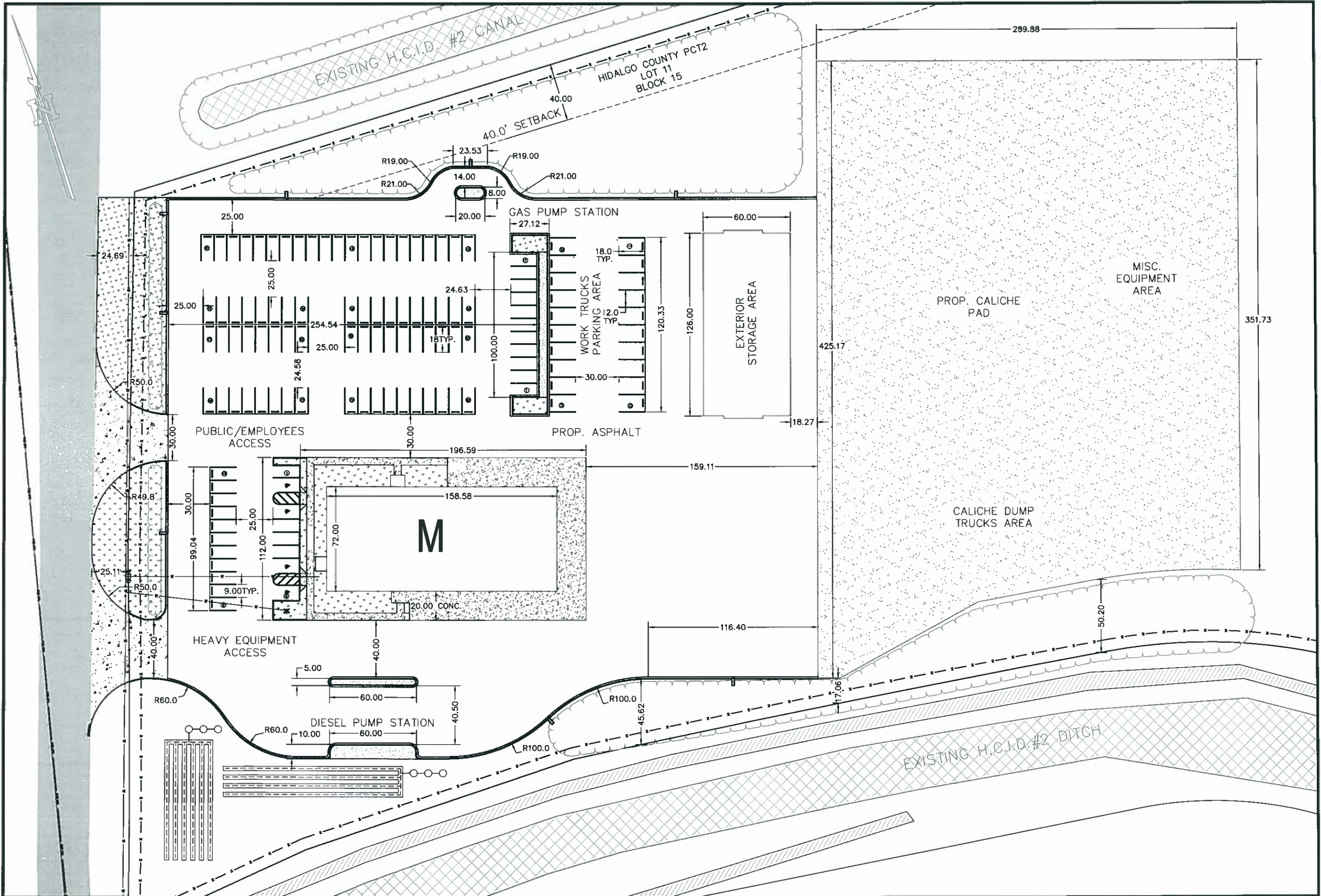
DRAWN BY:

CHECKED BY: RAUL E. SESIN

TYPED BY: EDGAR I.

SHEET: 4





HIDALGO COUNTY  
PLANNING DEPARTMENT

1304 S. 25 TH. STREET  
EDINBURG TX 78539  
TEL: (956) 318-2840 FAX: (956) 318-2844  
www.co.hidalgo.tx.us

RAUL E. SESIN, P.E., C.F.M.  
PLANNING ADMINISTRATOR



COMMISSIONER  
HECTOR "TITO" PALACIOS  
HIDALGO COUNTY PCT 2  
CIVIL IMPROVEMENTS  
PROJECT

HIDALGO COUNTY PRECINCT No. 2  
EQUIPMENT AND MAINTENANCE  
FACILITY  
ON-SITE CIVIL IMPROVEMENTS  
DIMENSIONAL PLAN



This seal appearing on this document was authorized by Raul E. Sesin P.E. No. 86374 on the above designated date.

RAUL E. SESIN, P.E. No. 86374

SCALE: 1"=60'

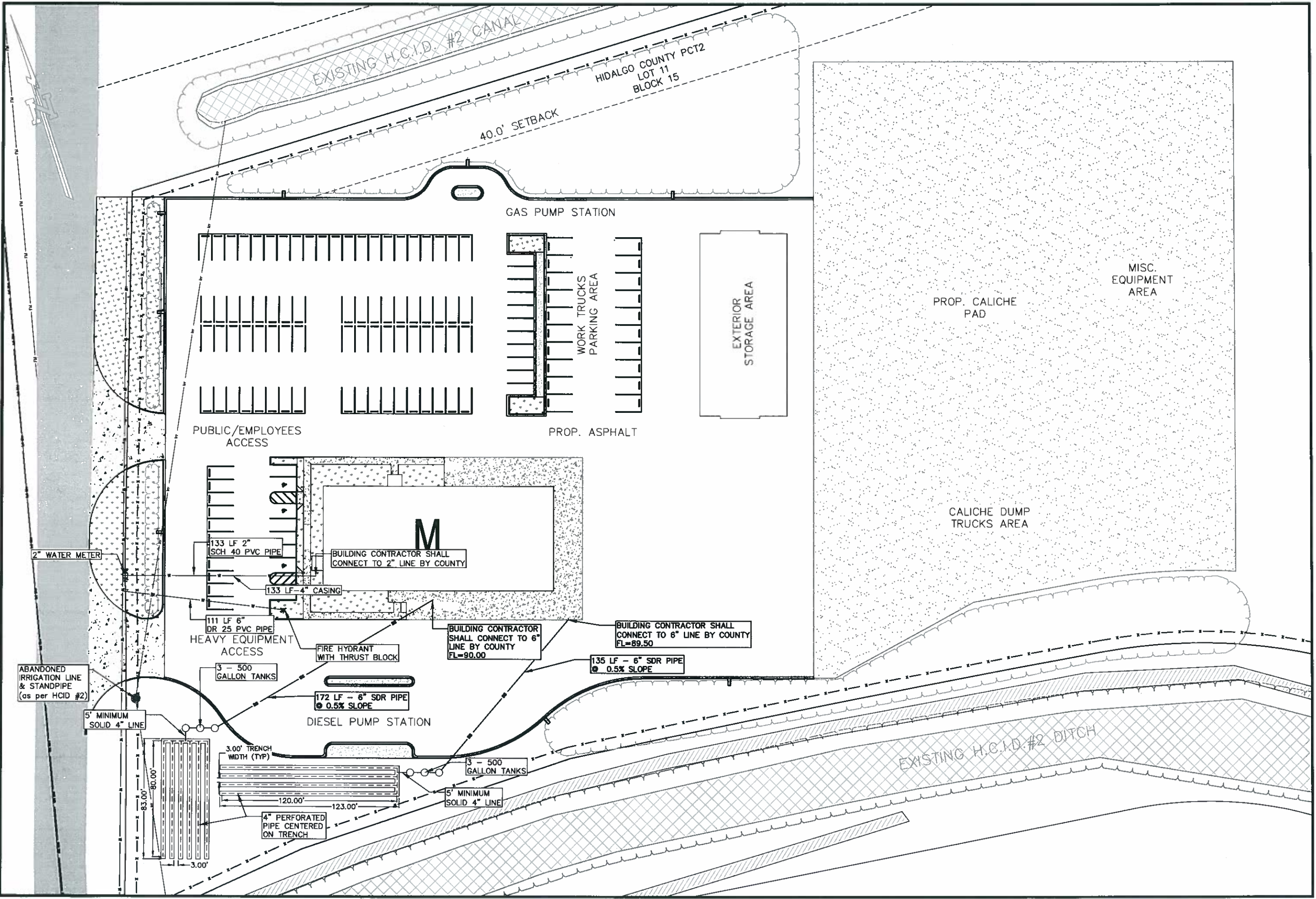
DRAWN BY:

CHECKED BY: RAUL E. SESIN

YOPO BY: EDGAR ISIDRO

SHEET:

Develop: I:\PCT 2\1 n PECINA RD\On Site ACAD\Plat 2 Equipment & Maintenance Facility On-Site Improvements.dwg Plotted by: armano.yaguilar



HIDALGO COUNTY  
PLANNING DEPARTMENT

1304 S. 25 TH. STREET  
EDINBURG TX. 78539  
www.co.hidalgo.tx.us  
TEL: (956) 318-2840 FAX: (956) 318-2844  
RAUL E. SESIN, P.E., C.F.M.  
PLANNING ADMINISTRATOR

COMMISSIONER  
HECTOR "TITO" PALACIOS  
HIDALGO COUNTY PCT 2  
CIVIL IMPROVEMENTS  
PROJECT

HIDALGO COUNTY PRECINCT No. 2  
EQUIPMENT AND MAINTENANCE  
FACILITY  
ON-SITE CIVIL IMPROVEMENTS  
UTILITY PLAN

RAUL E. SESIN, P.E. No. 86374

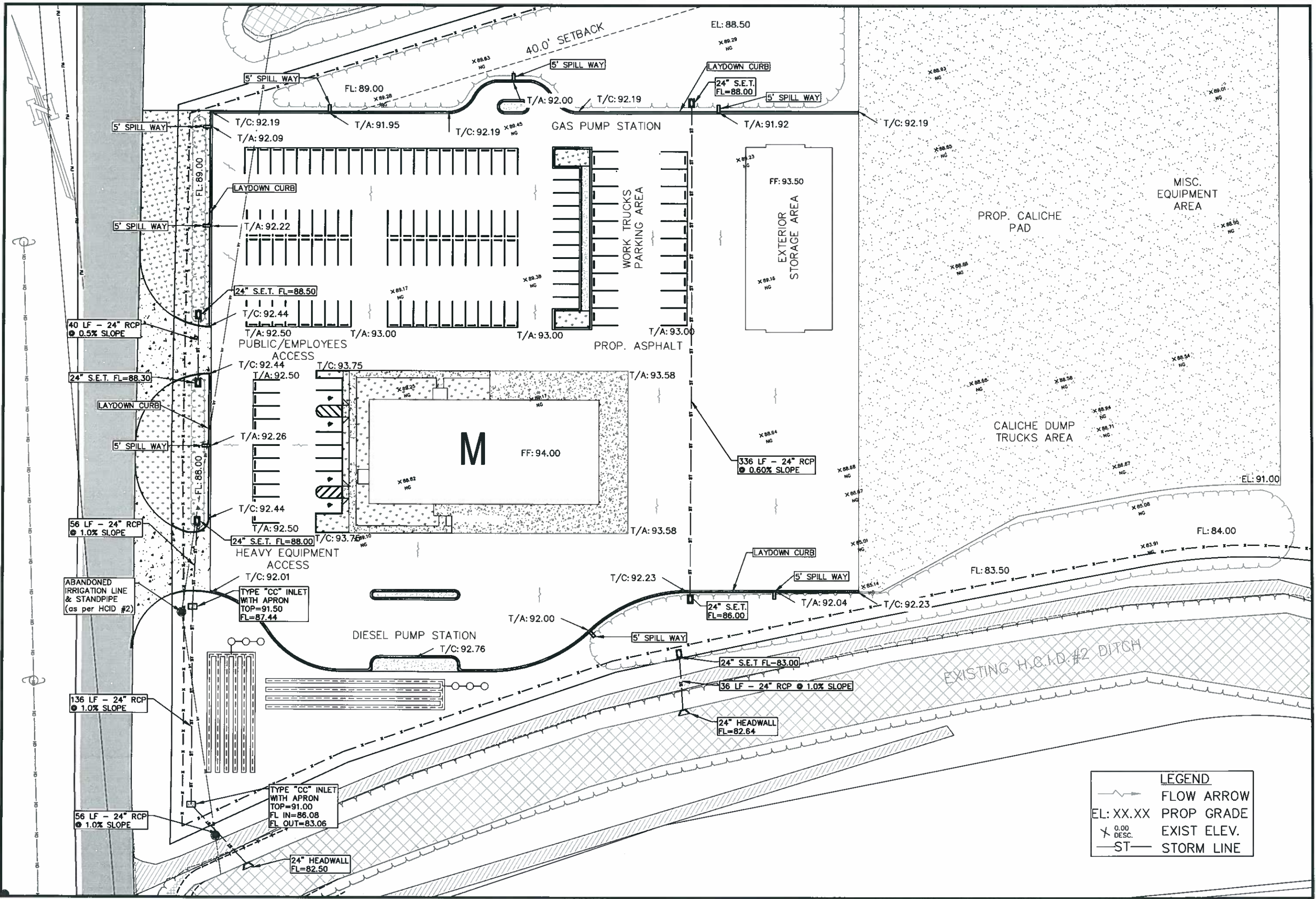
SCALE: 1"=60'

DRAWN BY:

CHECKED BY: RAUL E. SESIN

TOPO BY: EDGAR ISIDRO

SHEET: 7



LEGEND	
	FLOW ARROW
EL: XX.XX	PROP GRADE
X 0.00 DESC.	EXIST ELEV.
—ST—	STORM LINE

HIDALGO COUNTY  
PLANNING DEPARTMENT

1304 S. 25 TH. STREET  
EDINBURG TX. 78539  
TEL: (956) 318-2840 FAX: (956) 318-2844  
www.co.hidalgo.tx.us

RAUL E. SESIN, P.E., C.F.M.  
PLANNING ADMINISTRATOR

COMMISSIONER  
HECTOR "TITO" PALACIOS  
HIDALGO COUNTY PCT 2  
CIVIL IMPROVEMENTS  
PROJECT

HIDALGO COUNTY PRECINCT No. 2  
EQUIPMENT AND MAINTENANCE  
FACILITY  
ON-SITE CIVIL IMPROVEMENTS  
GRADING PLAN

STATE OF TEXAS  
RAUL E. SESIN  
85374  
LICENSED PROFESSIONAL ENGINEER

This seal appearing on this document was authorized by Raul E. Sesin P.E. No. 85374 on the above designated date.

RAUL E. SESIN P.E. No. 85374

SCALE: 1"=60'

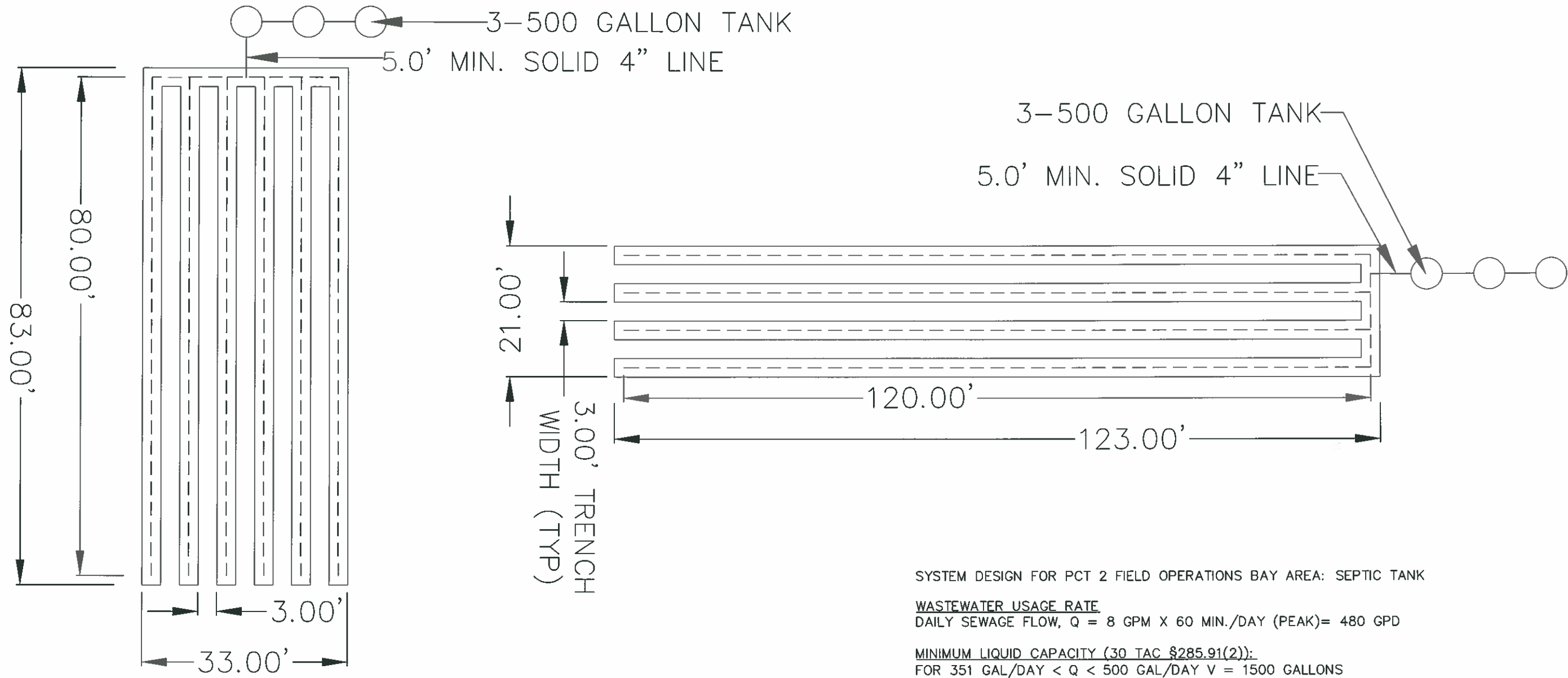
DRAWN BY:

CHECKED BY: RAUL E. SESIN

TOPO BY: EDGAR ISIDRO

SHEET: 8

Drawing: I:\PCT 2\1. PECANA RD\On Site ACAD\Set 2 Equipment & Maintenance Facility On-Site Improvements.dwg Plotted by: aronno.zguremu



SYSTEM DESIGN FOR PCT 2 FIELD OPERATIONS OFFICES: SEPTIC TANK

WASTEWATER USAGE RATE (30 TAC §285.91(3)):

DAILY SEWAGE FLOW, Q = 8 GPD/PERSON USAGE RATE GALLONS/DAY  
(With Water Saving Devices)  
NUMBER OF EMPLOYEES: 60  
Q = 60 x 8 = 480 GPD

MINIMUM LIQUID CAPACITY (30 TAC §285.91(2)):

FOR 351 GAL/DAY < Q < 500 GAL/DAY V = 1500 GALLONS  
USE 3 - 500G TANKS IN SERIES

EFFLUENT LOADING REQUIREMENTS BASED ON SOIL CLASSIFICATION

SOIL CLASS III  
ABSORPTIVE AREA = Q/Ra WHERE Ra = 0.20 FOR CLASS III SOIL  
A = 480/0.20 = 2400  
USE 3' BOTTOM TRENCH WITH 1' ON EACH SIDE WALL  
EXCAVATION LENGTH = 2400/5 = 480 LF  
PROVIDE 6-80 FT LONG TRENCHES WITH 3-500 GAL TANKS IN SERIES

SYSTEM DESIGN FOR PCT 2 FIELD OPERATIONS BAY AREA: SEPTIC TANK

WASTEWATER USAGE RATE

DAILY SEWAGE FLOW, Q = 8 GPM X 60 MIN./DAY (PEAK) = 480 GPD

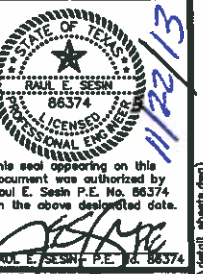
MINIMUM LIQUID CAPACITY (30 TAC §285.91(2)):

FOR 351 GAL/DAY < Q < 500 GAL/DAY V = 1500 GALLONS  
USE 3 - 500G TANKS IN SERIES

EFFLUENT LOADING REQUIREMENTS BASED ON SOIL CLASSIFICATION

SOIL CLASS III  
ABSORPTIVE AREA = Q/Ra WHERE Ra = 0.20 FOR CLASS III SOIL  
A = 480/0.20 = 2400  
USE 3' BOTTOM TRENCH WITH 1' ON EACH SIDE WALL  
EXCAVATION LENGTH = 2400/5 = 480 LF  
PROVIDE 4-120 FT LONG TRENCHES WITH 3-500 GAL TANKS IN SERIES

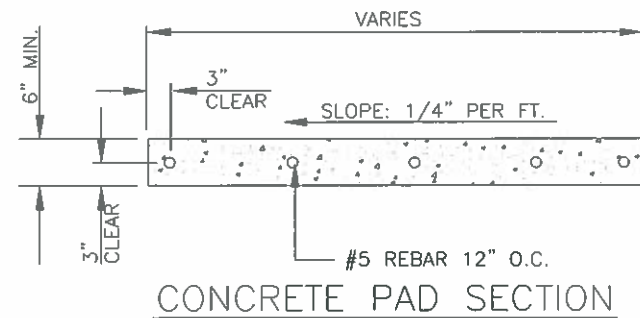
**HIDALGO COUNTY PRECINCT No. 2  
EQUIPMENT AND MAINTENANCE  
FACILITY  
ON-SITE CIVIL IMPROVEMENTS  
OSSF DETAILS**



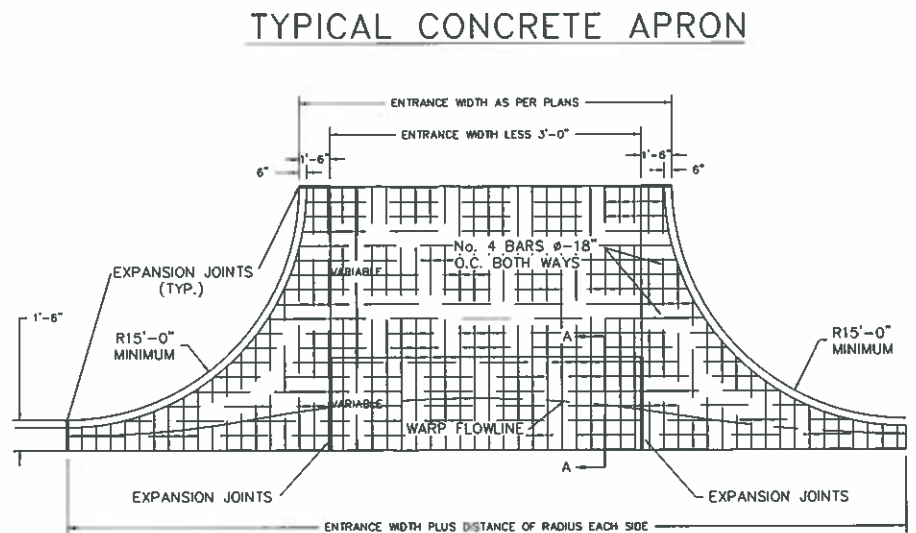
SCALE: NTS  
DRAWN BY: NTS  
CHECKED BY: RAUL E. SESIN  
TOPO BY: EDGAR I.  
SHEET: 9

HIDALGO COUNTY  
PLANNING DEPARTMENT  
1304 S. 25 TH. STREET  
EDINBURG TX. 78539  
TEL: (956) 318-2840 FAX: (956) 318-2844  
www.co.hidalgo.tx.us  
RAUL E. SESIN, P.E., C.F.M.  
PLANNING ADMINISTRATOR

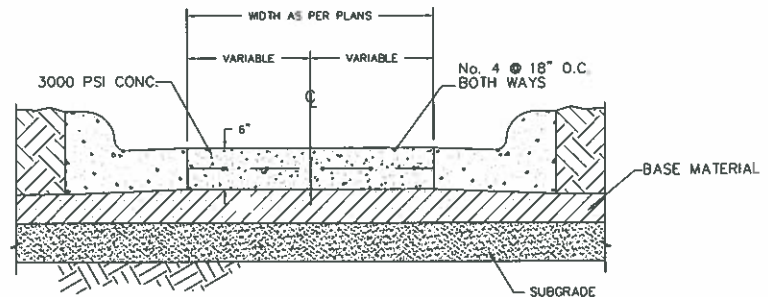
COMMISSIONER  
HECTOR "TITO" PALACIOS  
HIDALGO COUNTY PCT 2  
CIVIL IMPROVEMENT  
PROJECTS



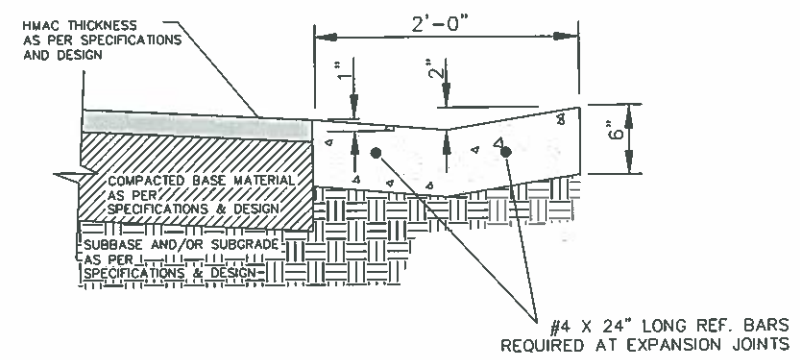
**CONCRETE PAD NOTES:**  
 CONC. PAD GRADIENT SHALL NOT EXCEED 1:20.  
 CONCRETE PAD SHALL BE 5 SACK CEMENT MIX AND SHALL HAVE A MINIMUM COMPRESSIVE STRENGTH OF 3000 psi.



PLAN

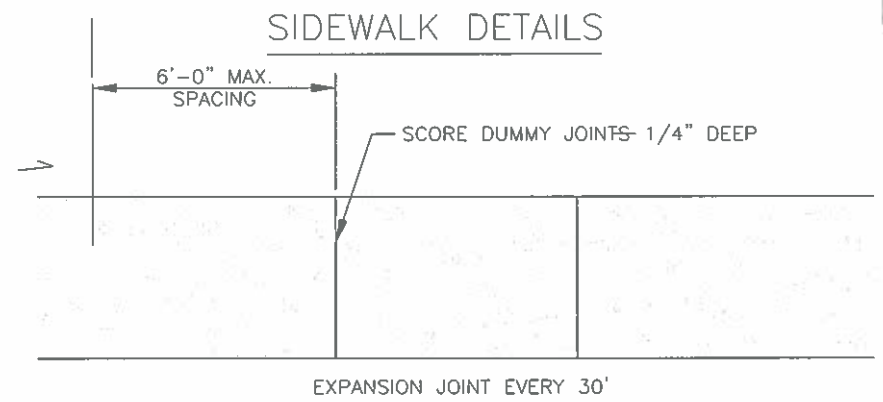


TYPICAL CONCRETE APRON SECTION A-A

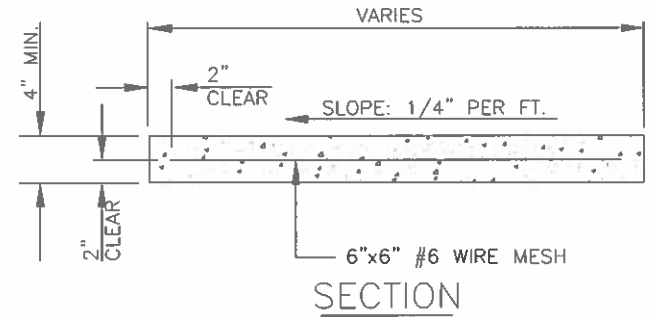


1. ALL HONEYCOMBING SHALL BE GROUTED TO PROVIDE A UNIFORM SURFACE.
2. WHEN HONEYCOMBING IS EXCESSIVE AS DETERMINED BY THE COUNTY OF HIDALGO DESIGNATED REPRESENTATIVE, CURB AND GUTTER SHALL BE REPLACED.
3. BACKFILL BEHIND CURBS SHALL BE ACCOMPLISHED WITHIN 24 HOURS AFTER BACK FORM IS REMOVED OR 48 HOURS AFTER SLIP FORMING.
4. CURB AND GUTTER CONCRETE SHALL BE CLASS "A" (3000 PSI).
5. REINFORCING STEEL AS SHOWN.
6. MAX. LENGTH OF CURB AND GUTTER SECTION IS 80' BETWEEN 3/4" EXPANSION JOINT.

TYPICAL COUNTY LAYDOWN CURB & GUTTER SECTION

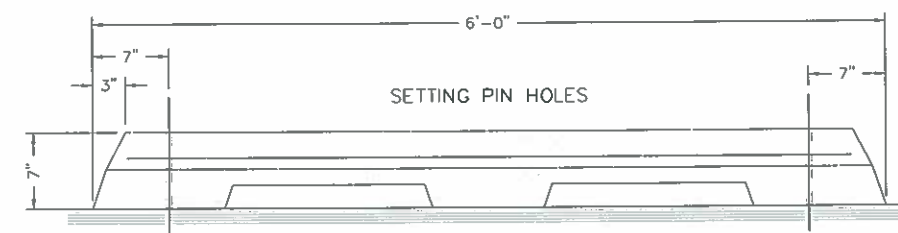
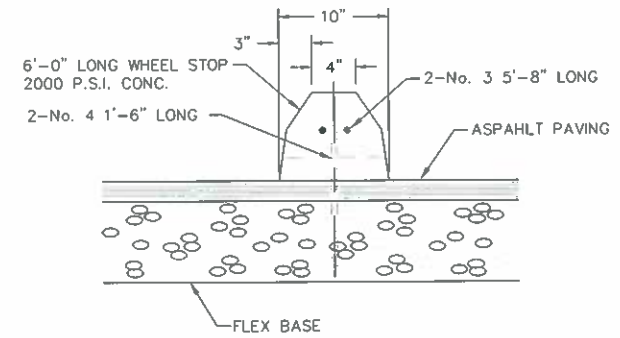
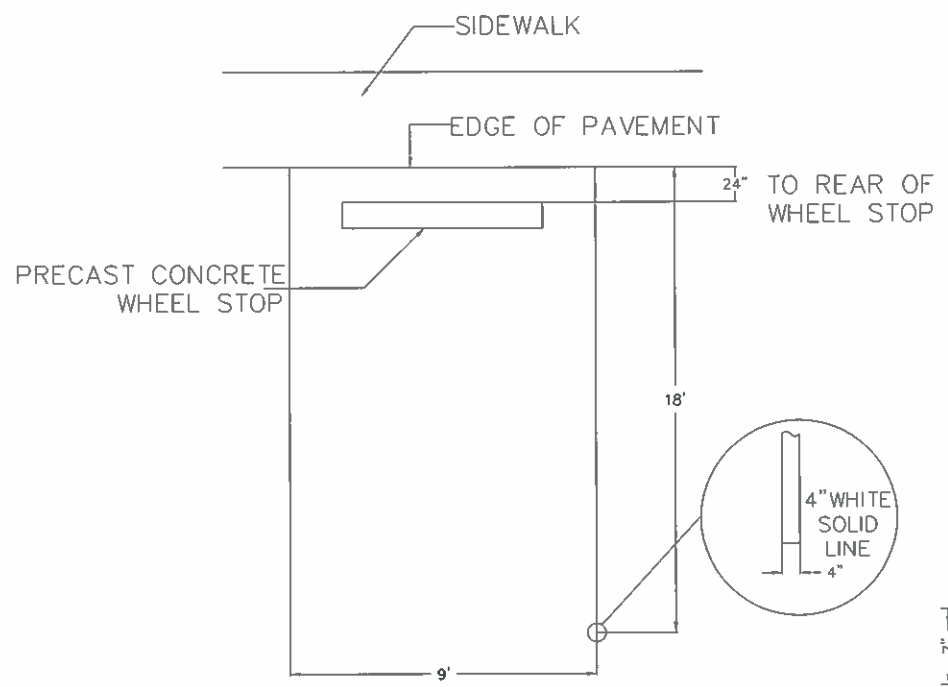


PLAN



SECTION

**SIDEWALK NOTES:**  
 MINIMUM 4'-0" WIDE SIDEWALK.  
 SIDEWALK GRADIENT SHALL NOT EXCEED 1:20.  
 SIDEWALK CONCRETE SHALL BE 5 SACK CEMENT MIX AND SHALL HAVE A MINIMUM COMPRESSIVE STRENGTH OF 3000 psi.  
 CONTRACTOR SHALL VERIFY EXISTENCE AND LOCATION OF EXISTING UTILITY LINES WITH APPROPRIATE COMPANIES TO AVOID PLACING SIDEWALKS ON TOP OF LINES.  
 PROVIDE DROP CURBS AT INTERSECTIONS.  
 CONTRACTOR SHALL COMPLY WITH LATEST REGULATIONS AS SET FORTH IN AMERICANS WITH DISABILITIES ACT (ADA).



PRECAST CONCRETE WHEEL STOP

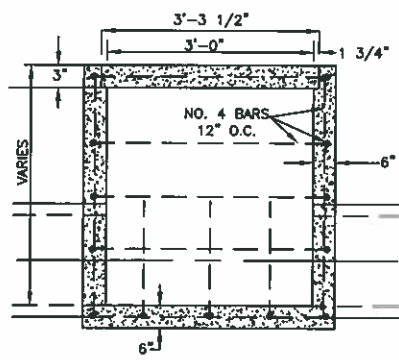
HIDALGO COUNTY  
 PLANNING DEPARTMENT  
 1304 S. 25 TH. STREET  
 EDINBURG TX. 78539  
 TEL: (956) 318-2840 FAX: (956) 318-2844  
 www.co.hidalgo.tx.us  
 RAUL E. SESIN, P.E., C.F.M.  
 PLANNING ADMINISTRATOR

COMMISSIONER  
 HECTOR "TITO" PALACIOS  
 HIDALGO COUNTY PCT 2  
 CIVIL IMPROVEMENT  
 PROJECTS

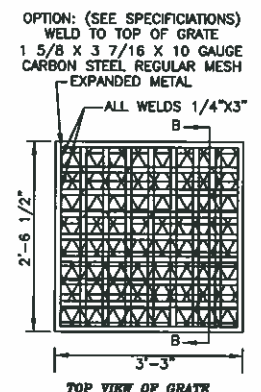
HIDALGO COUNTY PRECINCT No. 2  
 EQUIPMENT AND MAINTENANCE  
 FACILITY  
 ON-SITE CIVIL IMPROVEMENTS  
 PARKING AREA DETAILS

STATE OF TEXAS  
 RAUL E. SESIN  
 86374  
 LICENSED PROFESSIONAL ENGINEER

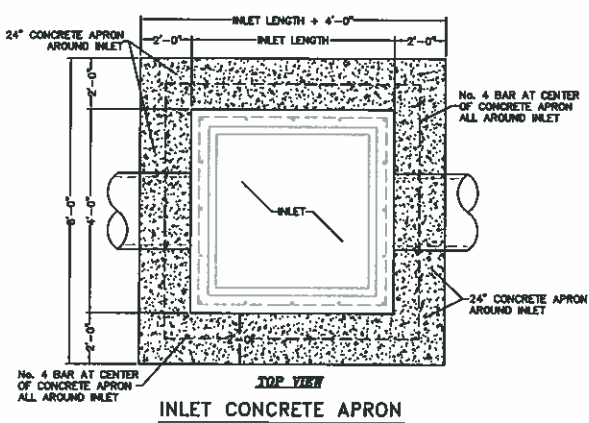
This seal appearing on this document was authorized by Raul E. Sesin P.E. No. 86374 on the above designated date.  
 SCALE: NTS  
 DRAWN BY: RAUL E. SESIN  
 CHECKED BY: EDGAR I.  
 TYPED BY: EDGAR I.  
 SHEET:



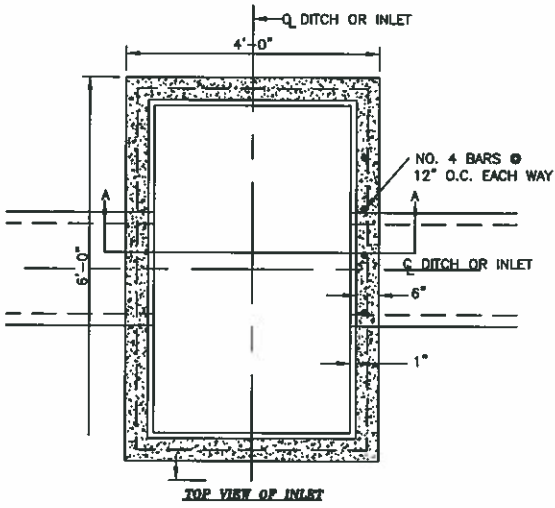
TYPE "C-C" GRATE INLET



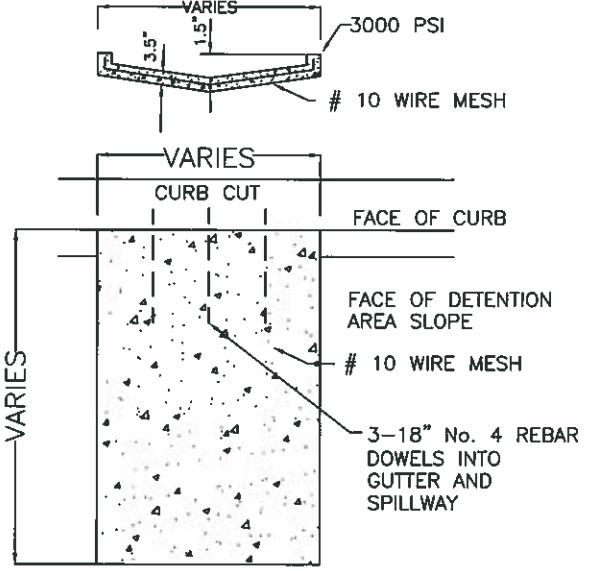
TOP VIEW OF GRATE



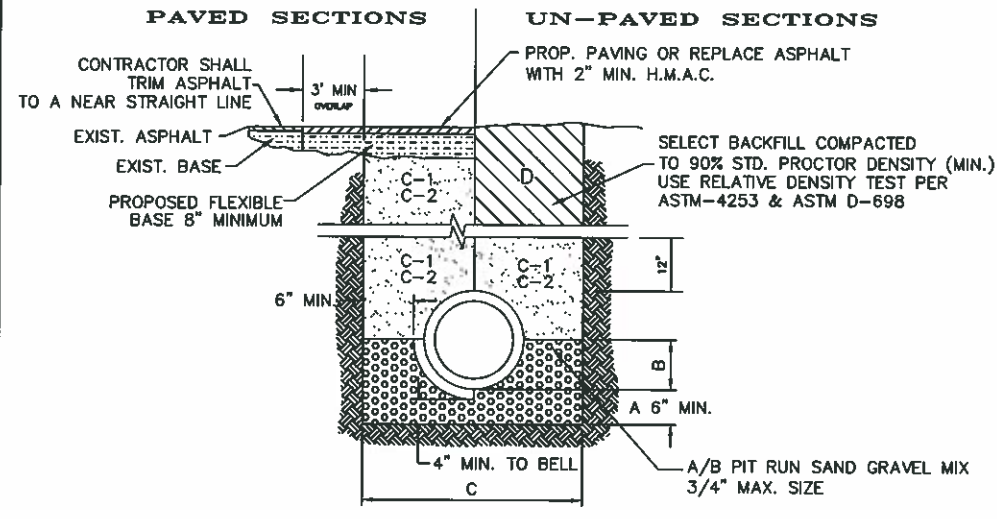
INLET CONCRETE APRON



TOP VIEW OF INLET

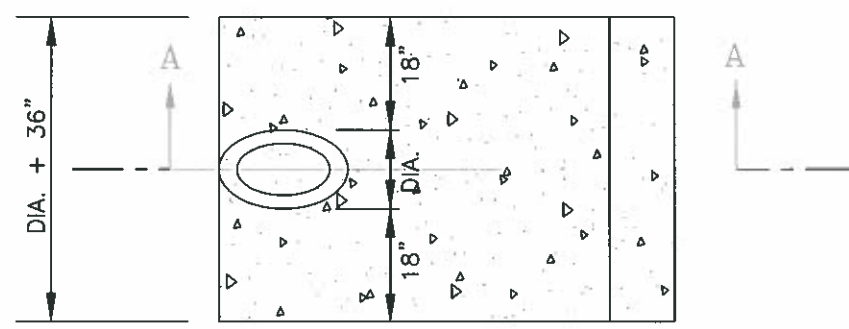


CONCRETE SPILLWAY  
NOT TO SCALE

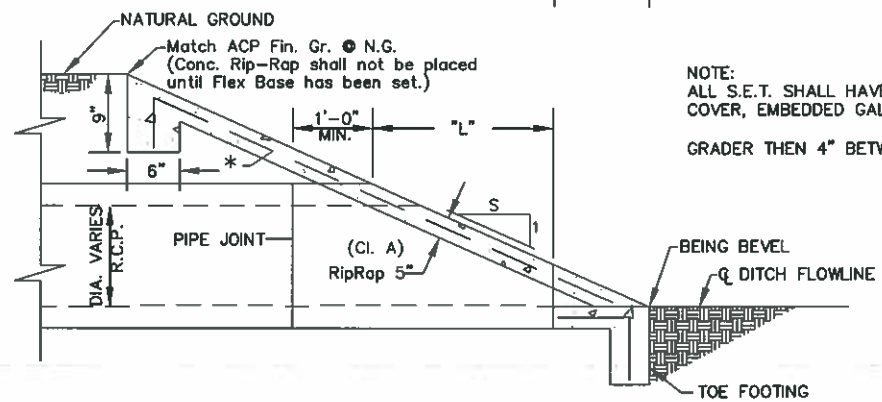
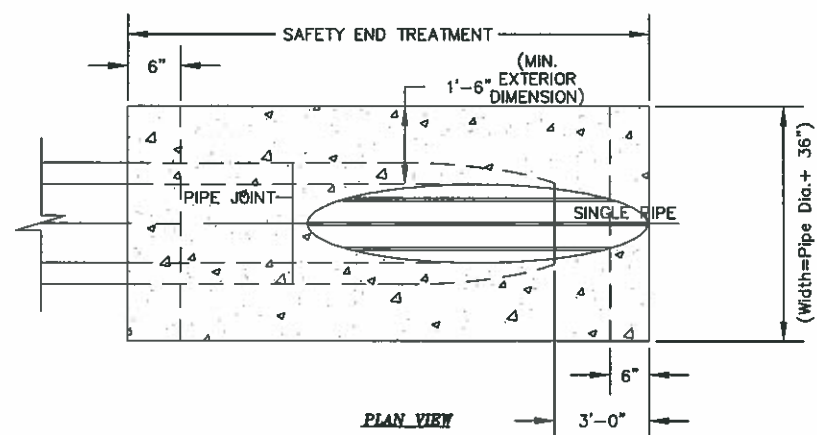
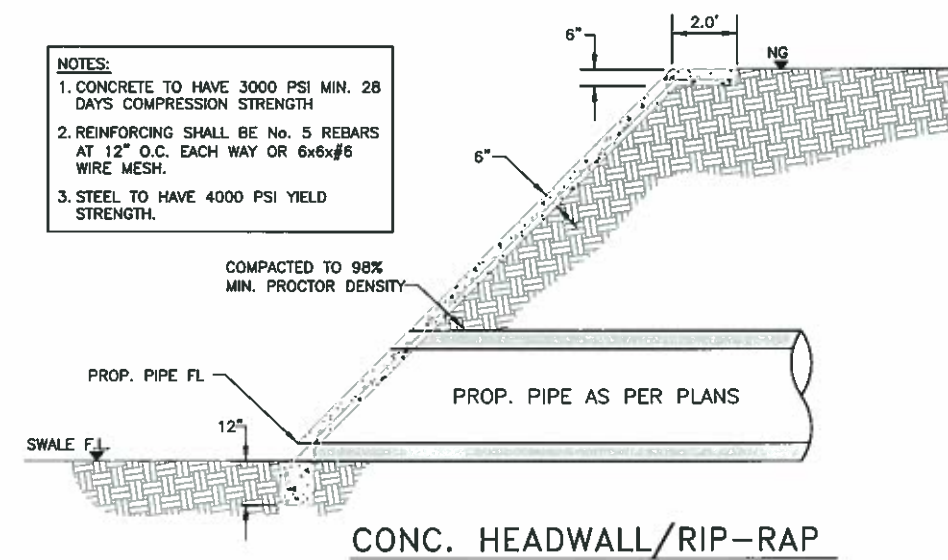


STORM TRENCH BEDDING AND BACKFILL DETAILS  
N.T.S.

- A. SAND GRAVEL MIX BEDDING PLACED BEFORE PIPE IS LAID UP TO FLOW OF PIPE (MIN. THICKNESS = 6") - PIT RUN GRAVEL 3/4" MAX. SIZE.
- B. SAND GRAVEL MIX AFTER PIPE IS LAID, FROM BOTTOM OF PIPE TO SPRING LINE OF PIPE. PIT RUN GRAVEL 3/4" MAX. SIZE.
- C. TRENCH WIDTHS SHALL BE BELL O.D. x 1.25 + 12".
- C-1 (CITY STREETS, PARKING AREA, DRIVEWAYS, COUNTY ROAD & UNPAVED AREAS) SELECT EXCAVATED BACK FILL SHALL BE SOIL TYPE A1, A2, A3, (AASHTO M145) COMPACTED TO 90% SPD, 8" LIFTS, MECHANICAL COMPACTION.
- C-2 (STATE MAINTAINED ROADWAYS) COMPACTED SAND/CEMENT STABILIZED BACK FILL WITH 7% PORTLAND CEMENT COMPACTED AS PER ASTM D-4253 AND ASTM D-698.
- D. SELECTED EARTH BACKFILL COMPACTED TO 90% STANDARD PROCTOR DENSITY (12" LIFT, MECHANICAL COMPACTION). FOUNDATION PREPARATION (WELLPOINTS, GRAVEL OR CEMENT STABILIZATION, OR APPROVED SUBSTITUTE) SHALL BE REQUIRED WHEN TRENCH BOTTOM IS UNSTABLE. BACKFILLING AT STRUCTURES SHALL BE PLACED IN UNIFORM LAYERS, MOISTENED AS REQUIRED TO APPROXIMATE OPTIMUM MOISTURE CONTENT, AND COMPACTED TO 95% STANDARD PROCTOR DENSITY (USE RELATIVE DENSITY TEST PER ASTM D-4253 & ASTM D-698). THE THICKNESS OF EACH LOOSE LAYER SHALL NOT EXCEED 6". STRUCTURE BACKFILL MATERIAL SHALL BE SAND, APPROVED SITE SOIL, OR OTHER APPROVED SUBSTITUTE.



- NOTES:
1. CONCRETE TO HAVE 3000 PSI MIN. 28 DAYS COMPRESSION STRENGTH.
  2. REINFORCING SHALL BE NO. 5 REBARS AT 12" O.C. EACH WAY OR 6x6x#6 WIRE MESH.
  3. STEEL TO HAVE 4000 PSI YIELD STRENGTH.



SAFETY END TREATMENT

HIDALGO COUNTY  
PLANNING DEPARTMENT  
1304 S. 25 TH. STREET  
EDINBURG TX. 76539  
TEL: (956) 318-2840 FAX: (956) 318-2844  
WWW.CO.HIDALGO.TX.US  
RAUL E. SESIN, P.E., C.F.M.  
PLANNING ADMINISTRATOR

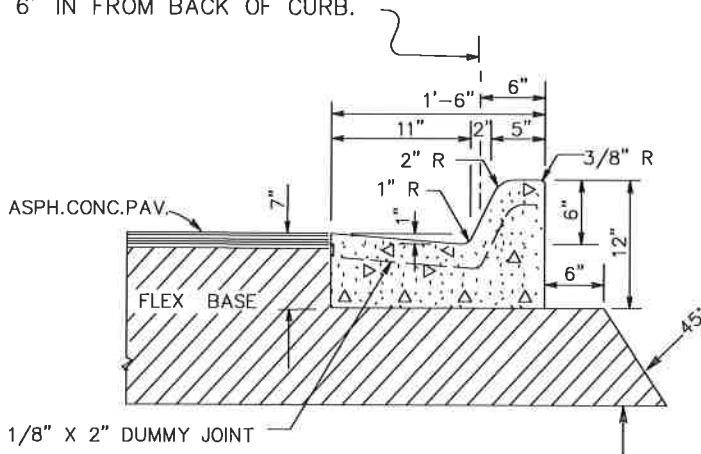
COMMISSIONER  
HECTOR "TITO" PALACIOS  
HIDALGO COUNTY PCT 2  
CIVIL IMPROVEMENT  
PROJECTS

HIDALGO COUNTY PRECINCT No. 2  
EQUIPMENT AND MAINTENANCE  
FACILITY  
ON-SITE CIVIL IMPROVEMENTS  
DRAINAGE DETAILS

STATE OF TEXAS  
RAUL E. SESIN  
PROFESSIONAL ENGINEER  
LICENSE NO. 86374  
This seal appearing on this document was authorized by Raul E. Sesin, P.E., No. 86374 on the above designated date.  
RAUL E. SESIN, P.E. No. 86374  
SCALE: NTS  
DRAWN BY: NTS  
CHECKED BY: RAUL E. SESIN  
TOPO BY: EDGAR I.  
SHEET: 11



ALL HORIZONTAL DIMENSIONS AND RADII SHOWN ON PLANS, RELATING TO CURB & GUTTER, ARE TO A POINT 6" IN FROM BACK OF CURB.



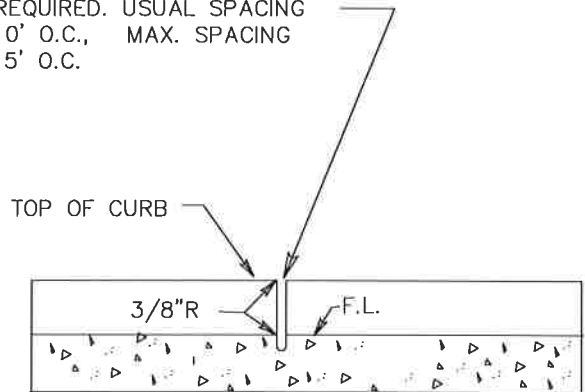
CONC. CURB & GUTTER  
TY "A" (BARRIER)

N.T.S.

NOTE:  
EXPANSION JOINTS

1/2" PREMOLDED EXPANSION JOINT MATERIAL SHALL BE INSTALLED WHERE CONC. CURB & GUTTER ABUTS CONC. CURB, OR WHERE CONC. CURB & GUTTER OR CONC. CURB ABUT INLETS, BRIDGE WINGWALLS, BRIDGE ABUTMENTS AND/OR ANY OTHER LOCATIONS SPECIFIED BY THE ENGINEER. MAX. SPACING = 105'

JOINTS MAY BE FORMED WITH 1/8" METAL PLATES NO FILLER REQUIRED. USUAL SPACING 10' O.C., MAX. SPACING 15' O.C.



DETAIL DUMMY JOINT

N.T.S.

NOTE:

DUMMY JOINTS TO BE USED ON CURB & CUTTER, CONC. MEDIAN AND ALL TYPE OF VALLEY GUTTERS JOINTS TO BE LOCATED BY THE ENGINEER.



This seal appearing on this document was authorized by Raul E. Sesin P.E. No. 86374 on the above designated date.

*[Handwritten Signature]*  
RAUL E. SESIN - P.E. No. 86374

**TYPE "A" BARRIER  
CURB AND GUTTER  
DETAIL**



**HIDALGO COUNTY  
PLANNING DEPARTMENT**  
1304 S. 25 TH. STREET  
EDINBURG TX. 78539  
TEL: (956) 318-2840 ★ FAX: (956) 318-2844  
www.co.hidalgo.tx.us  
RAUL E. SESIN, P.E., C.F.M.  
PLANNING ADMINISTRATOR